



US00D496853S1

(12) **United States Design Patent** (10) **Patent No.:** **US D496,853 S**
Jones (45) **Date of Patent:** **** Oct. 5, 2004**

(54) **BAND CLAMP CORNER**

(75) Inventor: **Steven K. Jones**, Nepean (CA)

(73) Assignee: **Lee Valley Tools, Ltd.**, Ottawa (CA)

(**) Term: **14 Years**

(21) Appl. No.: **29/177,356**

(22) Filed: **Mar. 7, 2003**

(51) **LOC (7) Cl.** **08-08**

(52) **U.S. Cl.** **D8/394; D8/72**

(58) **Field of Search** D8/72-74, 394-396,
D8/356, 382, 318, 349; 24/455, 68 CD,
16 R; 206/409, 453; 248/231, 200, 220.1

(56) **References Cited**

U.S. PATENT DOCUMENTS

3,908,850 A *	9/1975	Jureit et al.	206/453
D260,340 S *	8/1981	Hardy	D8/382
4,938,357 A *	7/1990	Schmidt	206/453
D312,783 S *	12/1990	Sharp	D9/434
5,311,996 A *	5/1994	Duffy et al.	206/453
D427,893 S *	7/2000	Lappin et al.	D8/382
D455,266 S *	4/2002	Bradford	D3/318

* cited by examiner

Primary Examiner—Louis S. Zarfes
Assistant Examiner—Gregory Andoll

(74) *Attorney, Agent, or Firm*—Kilpatrick Stockton LLP;
John S. Pratt

(57) **CLAIM**

The ornamental design for band clamp corner, as shown and described.

DESCRIPTION

FIG. 1 is a perspective view showing one side and top of the ornamental design of the band clamp corner of this invention with the position of a band shown in broken lines that forms no part of the invention;

FIG. 2 is a top plan view of the design for the band clamp corner shown in FIG. 1, the bottom view of the design being identical;

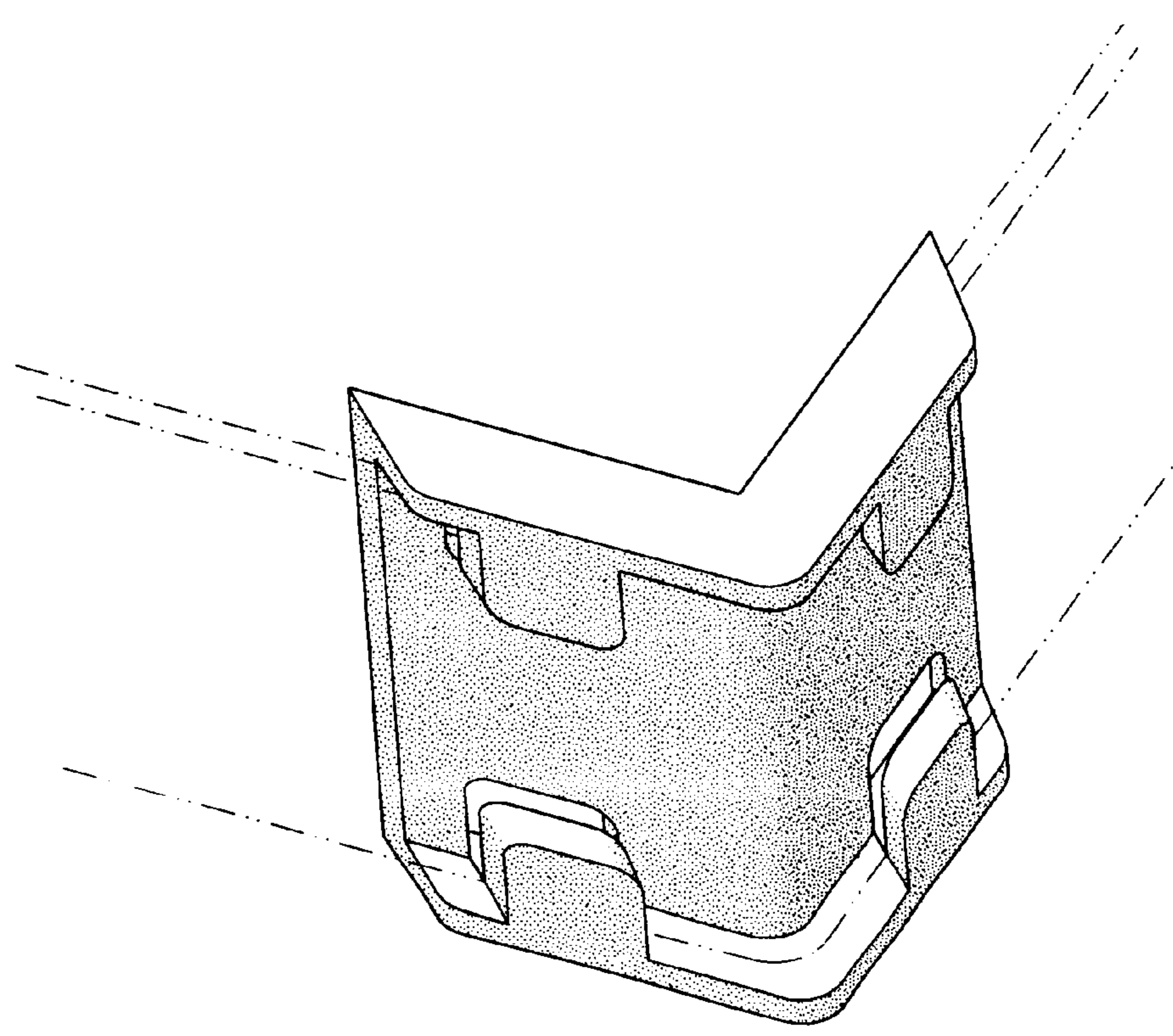
FIG. 3 is a side plan view of the design for the band clamp corner shown in FIG. 1 showing the band receiving outer side;

FIG. 4 is a side plan view of the design for the band clamp corner shown in FIG. 1 showing the profile of the band retaining tabs; and,

FIG. 5 is a plan view of the design for the band clamp corner shown in FIG. 1 showing the corner receiving inner side.

The broken lines in the Figures are for illustrative purposes only and form no part of the claimed design.

1 Claim, 2 Drawing Sheets



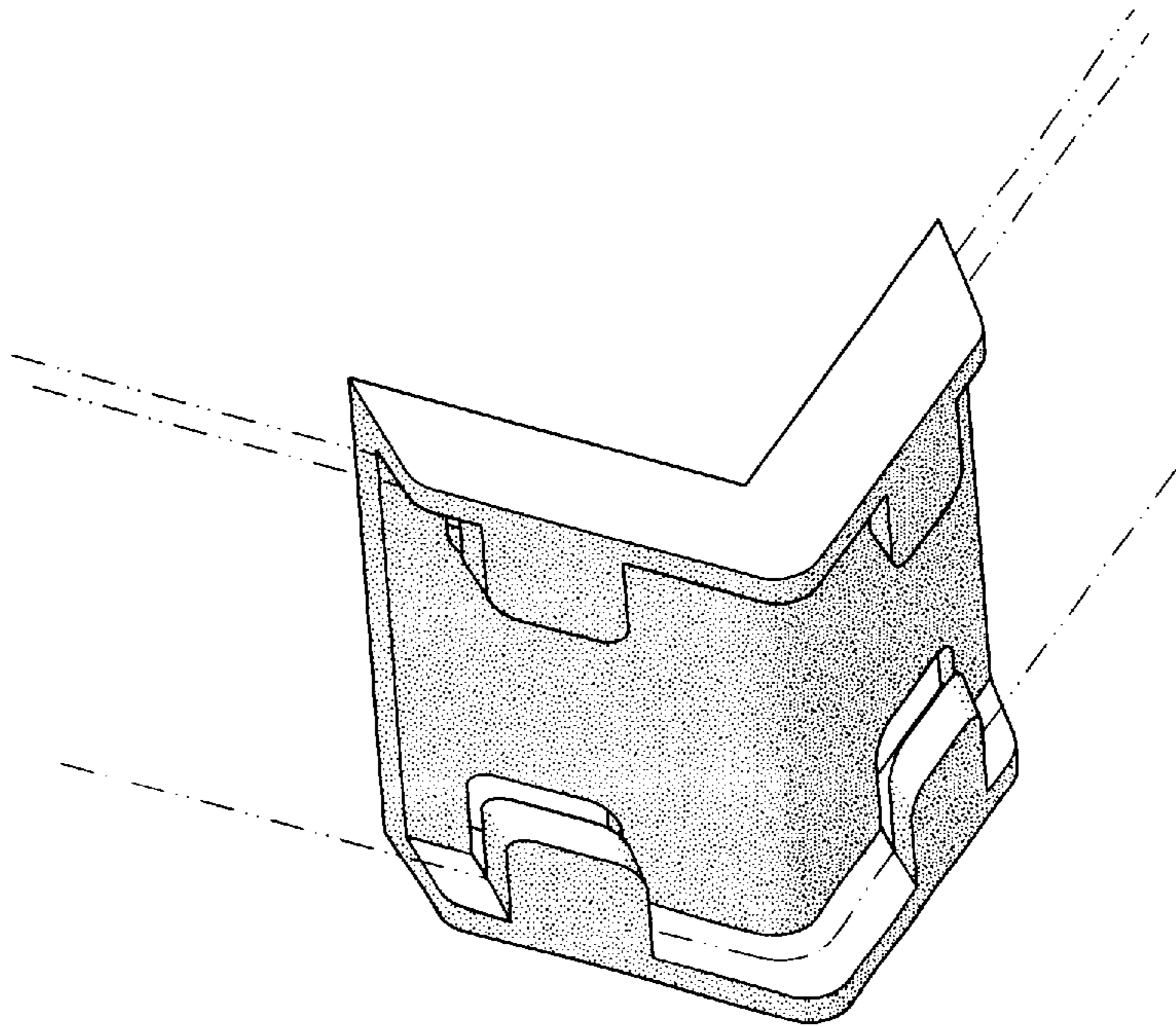


FIG. 1

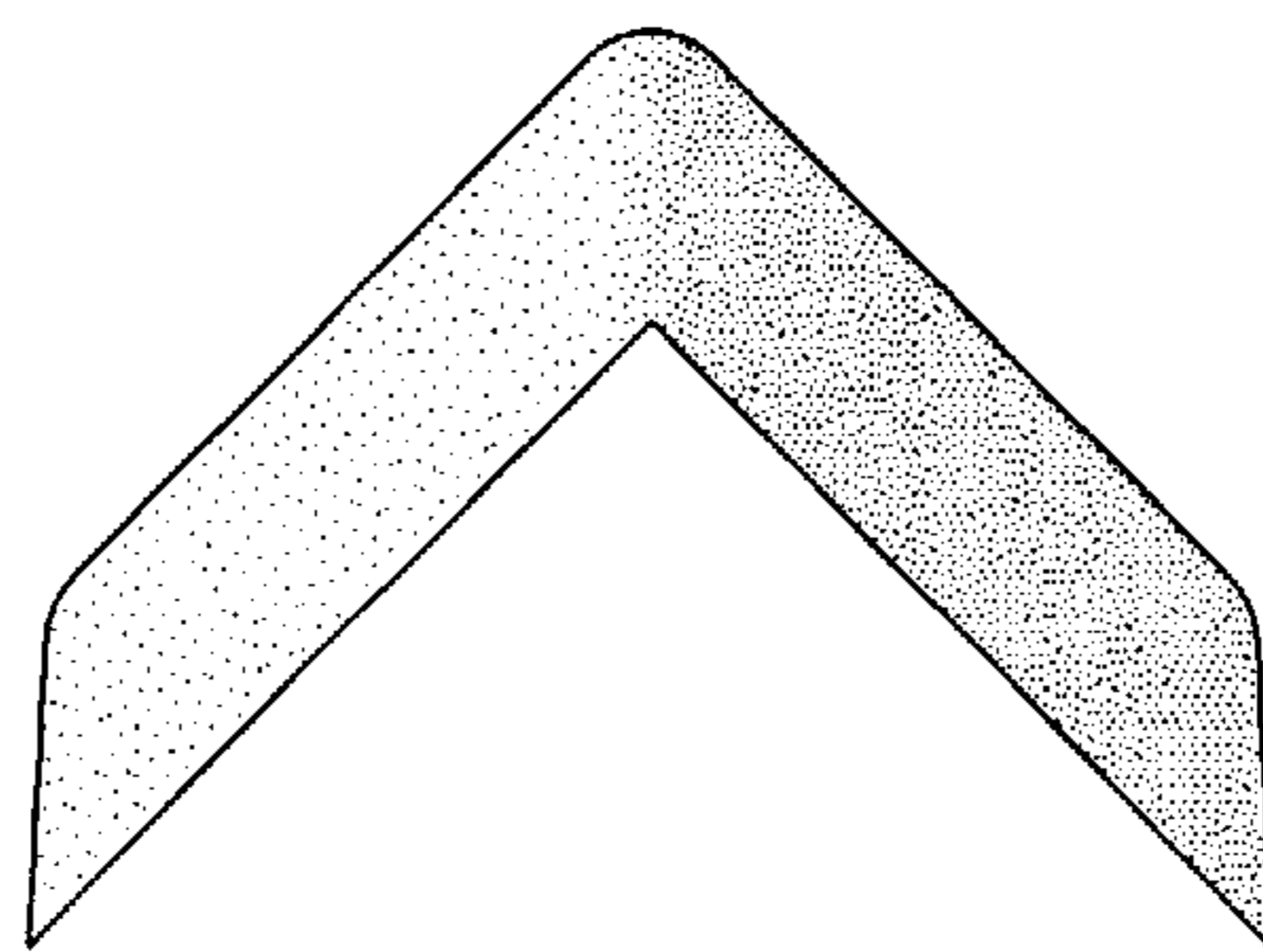


FIG. 2

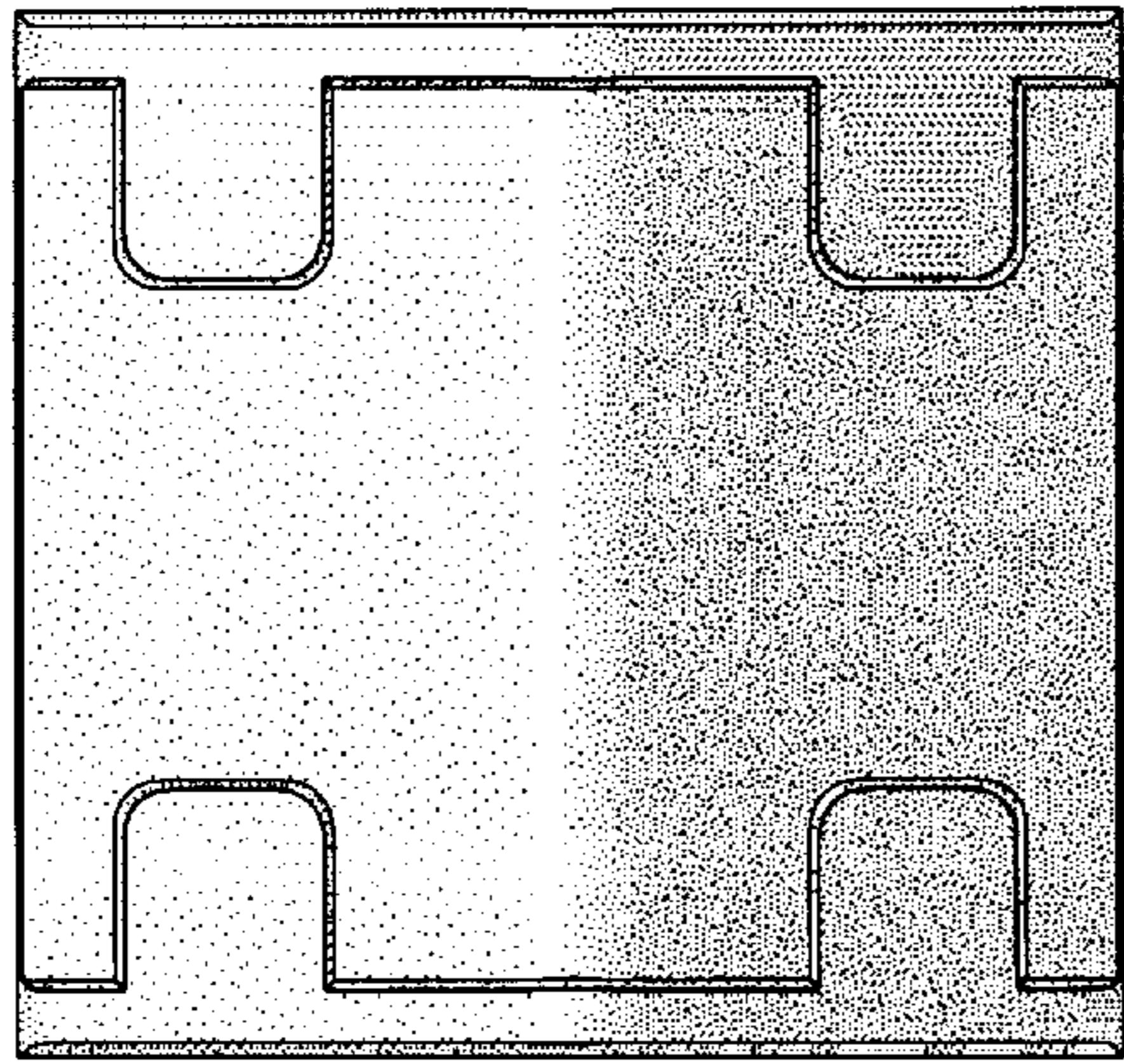


FIG. 3

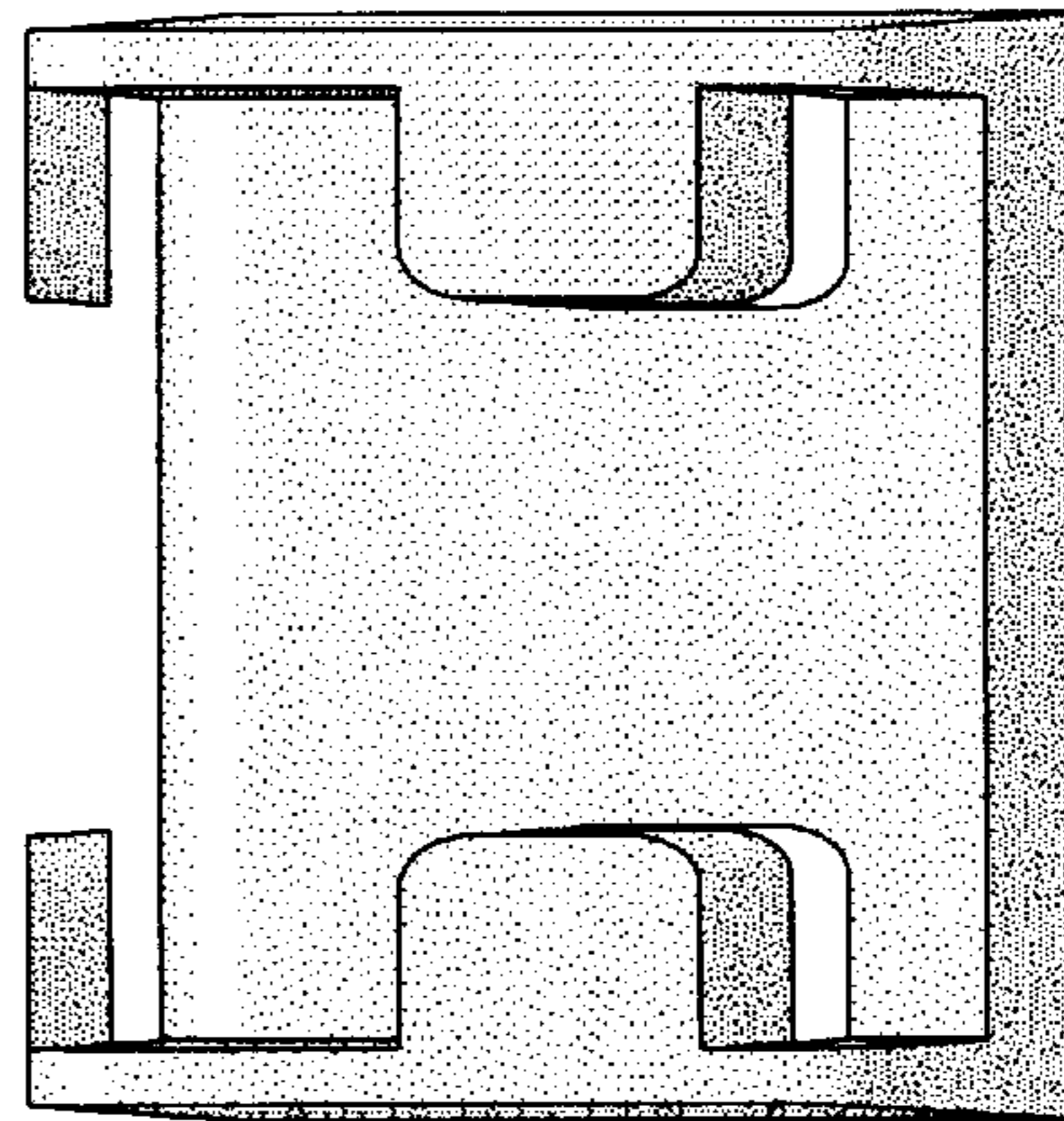


FIG. 4

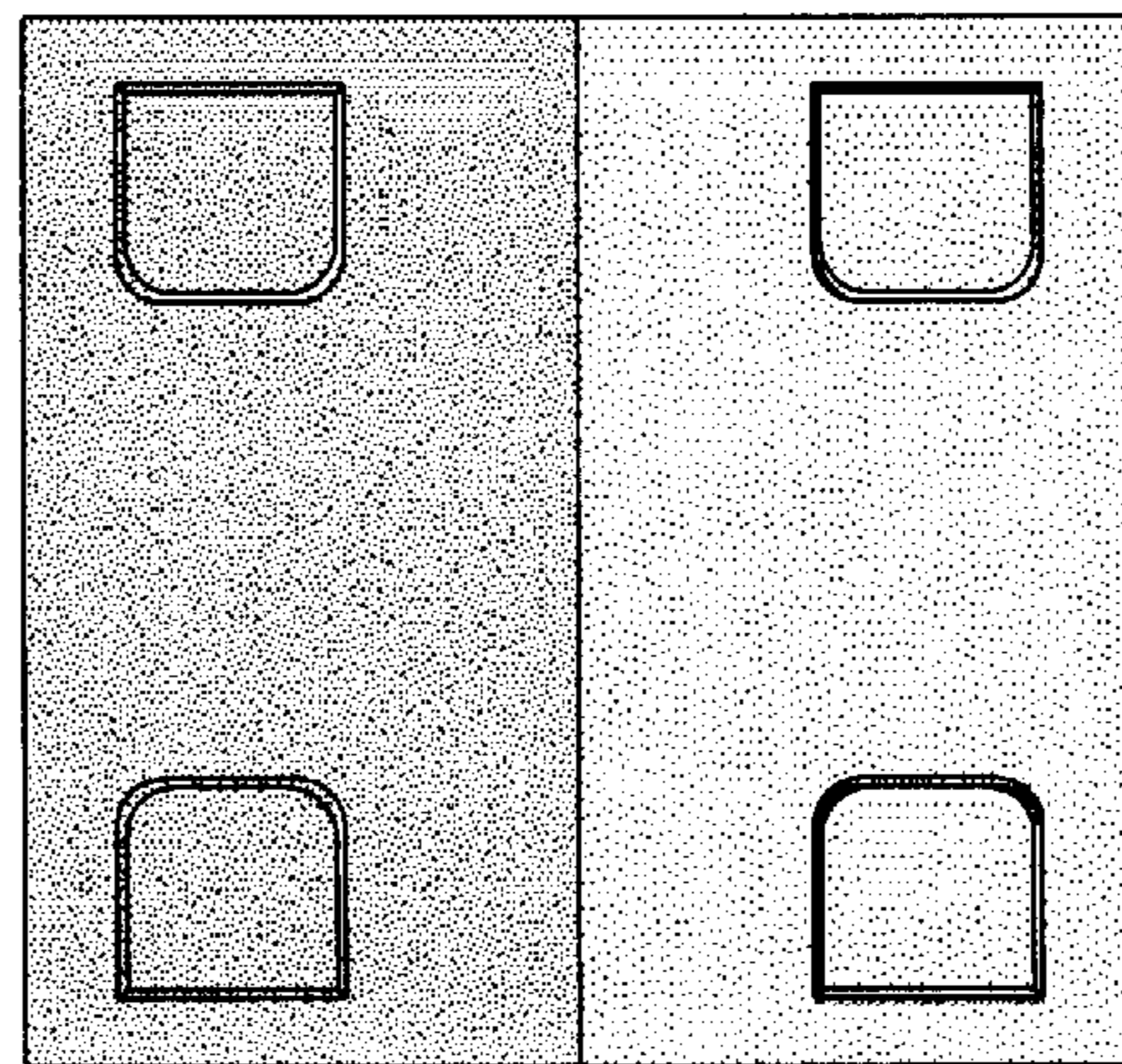


FIG. 5