

US00D496852S1

(12) **United States Design Patent**
Gass et al.

(10) **Patent No.:** **US D496,852 S**
(45) **Date of Patent:** **** Oct. 5, 2004**

(54) **POP-UP FASTENER**

5,865,582 A * 2/1999 Ellis et al. 411/353
6,022,009 A 2/2000 Hill
6,296,431 B1 10/2001 Miller

(76) Inventors: **Richard Christopher Gass**, 38070 Ed Brown Rd., Colton's Point, MD (US) 20626; **Robert Neil Dombroski**, 197 Celia Dr., Waterbury, CT (US) 06705; **Ralph Carpinella**, 725 Breakneck Hill Rd., Middlebury, CT (US) 06762

FOREIGN PATENT DOCUMENTS

GB 2307019 A * 5/1997 F16B/23/00

(**) **Term:** **14 Years**

* cited by examiner

Primary Examiner—Holly Baynham
(74) *Attorney, Agent, or Firm*—Stephen R Greiner

(21) **Appl. No.:** **29/197,813**

(57) **CLAIM**

(22) **Filed:** **Jan. 22, 2004**

The ornamental design for a pop-up fastener, as shown and described.

(51) **LOC (7) Cl.** **08-08**

(52) **U.S. Cl.** **D8/387**

(58) **Field of Search** D8/382, 387; 411/107, 411/352, 347, 349

DESCRIPTION

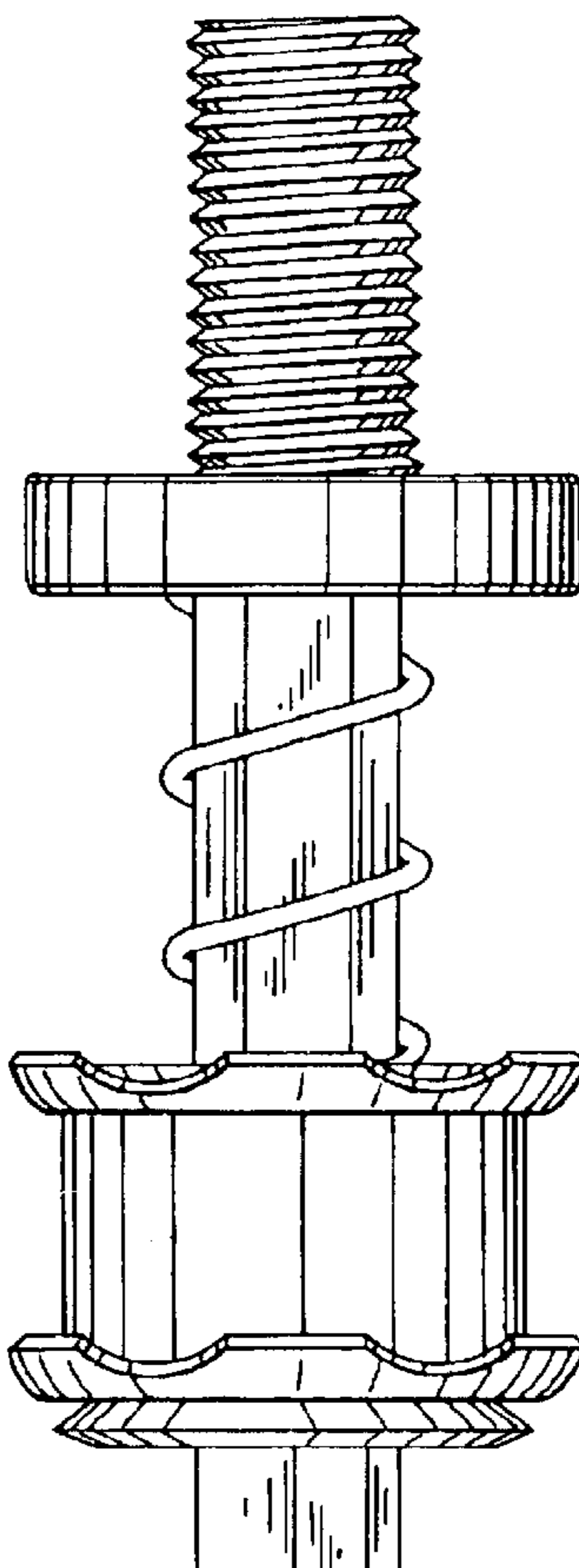
FIG. 1 is a front elevational view of a pop-up fastener showing our new design;
FIG. 2 is a rear elevational view thereof;
FIG. 3 is a top view thereof;
FIG. 4 is a right side elevational view thereof;
FIG. 5 is a left side elevational view thereof;
FIG. 6 is a bottom view thereof;
FIG. 7 is a perspective view thereof; and,
FIG. 8 is a cross-sectional view thereof.

(56) **References Cited**

U.S. PATENT DOCUMENTS

2,007,179 A 7/1935 Bullis
4,315,361 A 2/1982 Brooks
4,720,223 A 1/1988 Neights et al.
5,382,124 A * 1/1995 Frattarola 411/352
5,611,654 A * 3/1997 Frattarola et al. 411/432
5,851,095 A * 12/1998 Ellis et al. 411/353

1 Claim, 3 Drawing Sheets



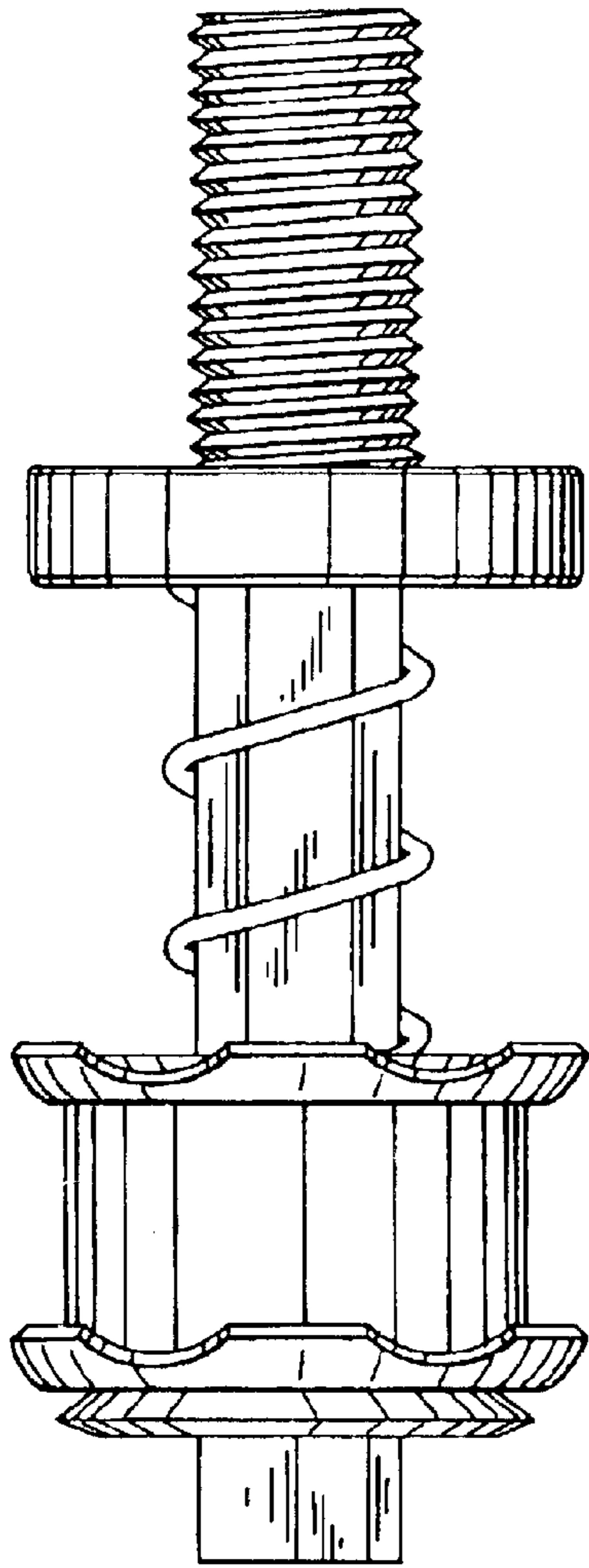


FIG. 1

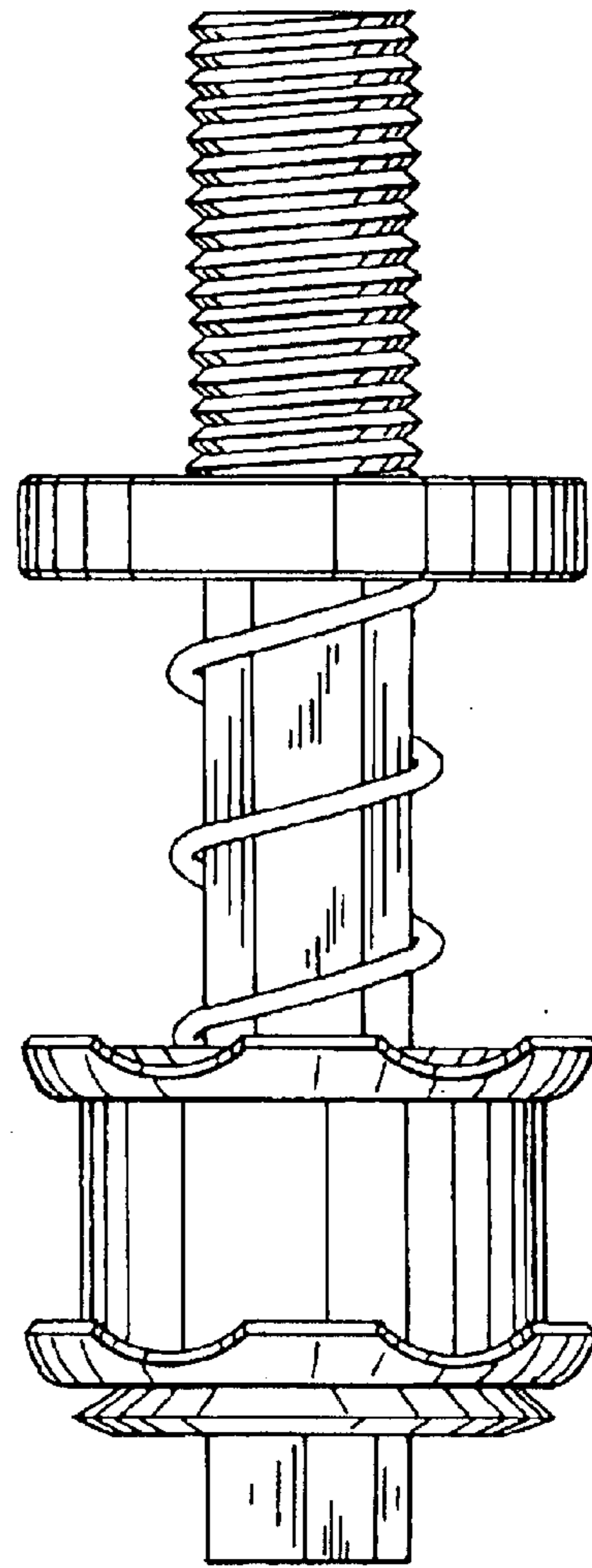


FIG. 2

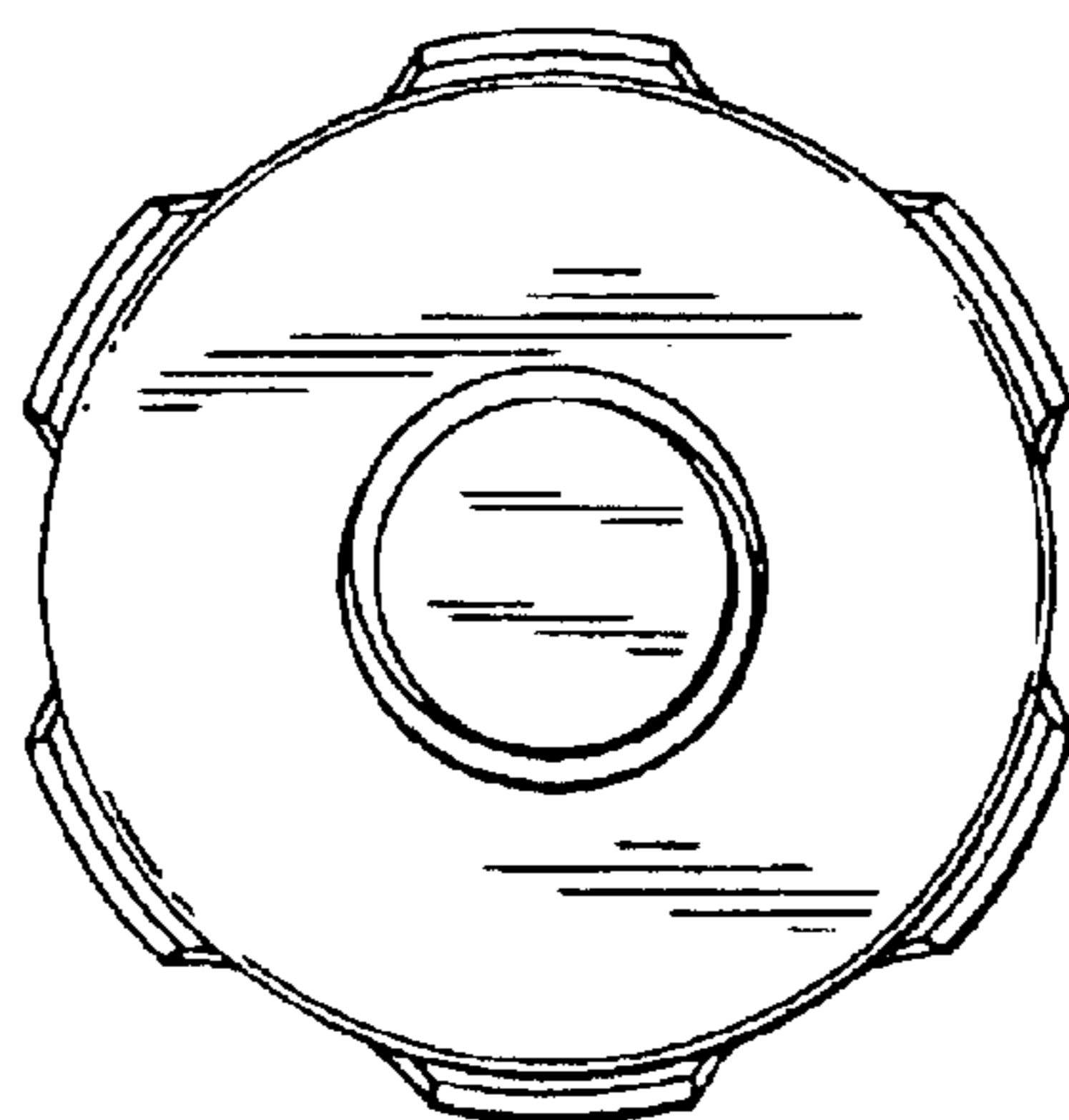


FIG. 3

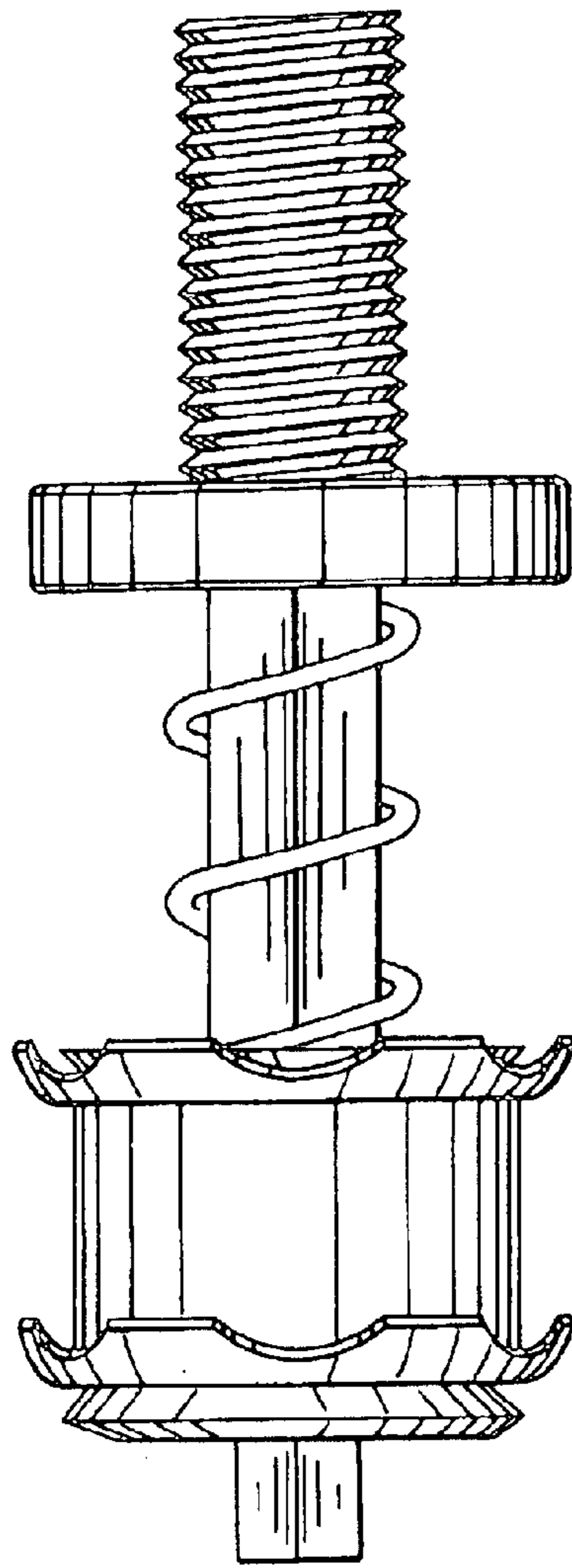


FIG. 4

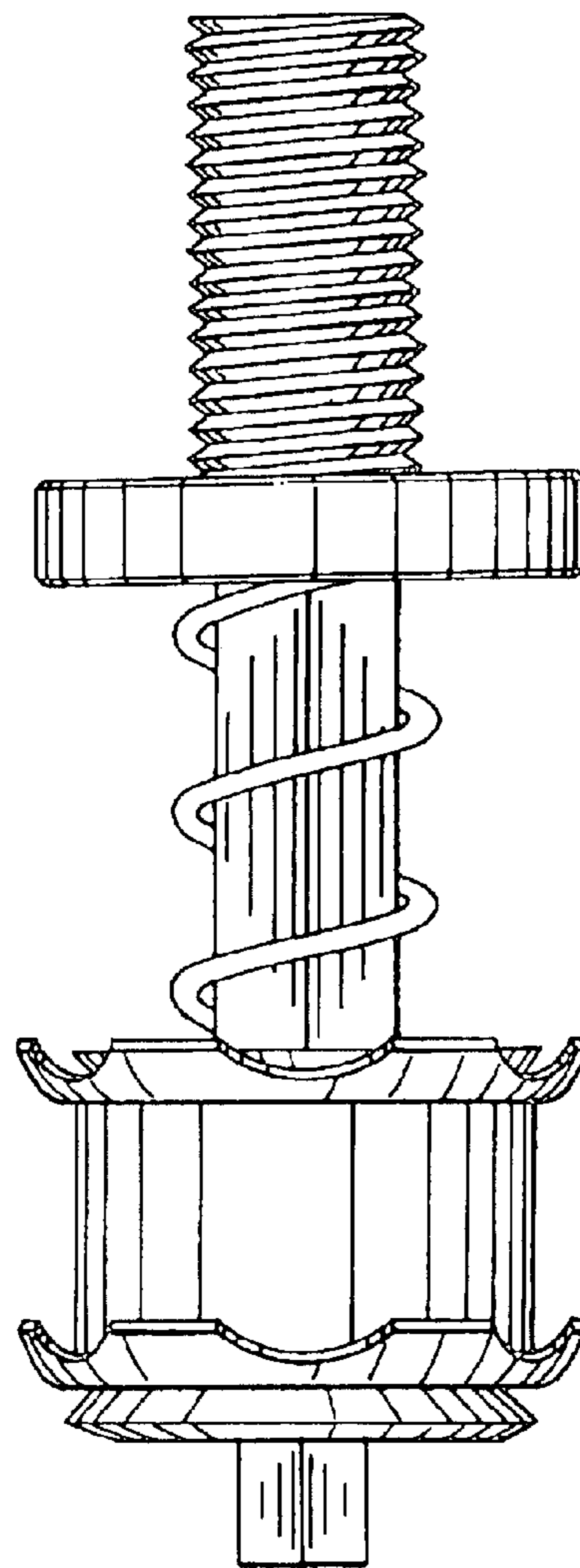


FIG. 5

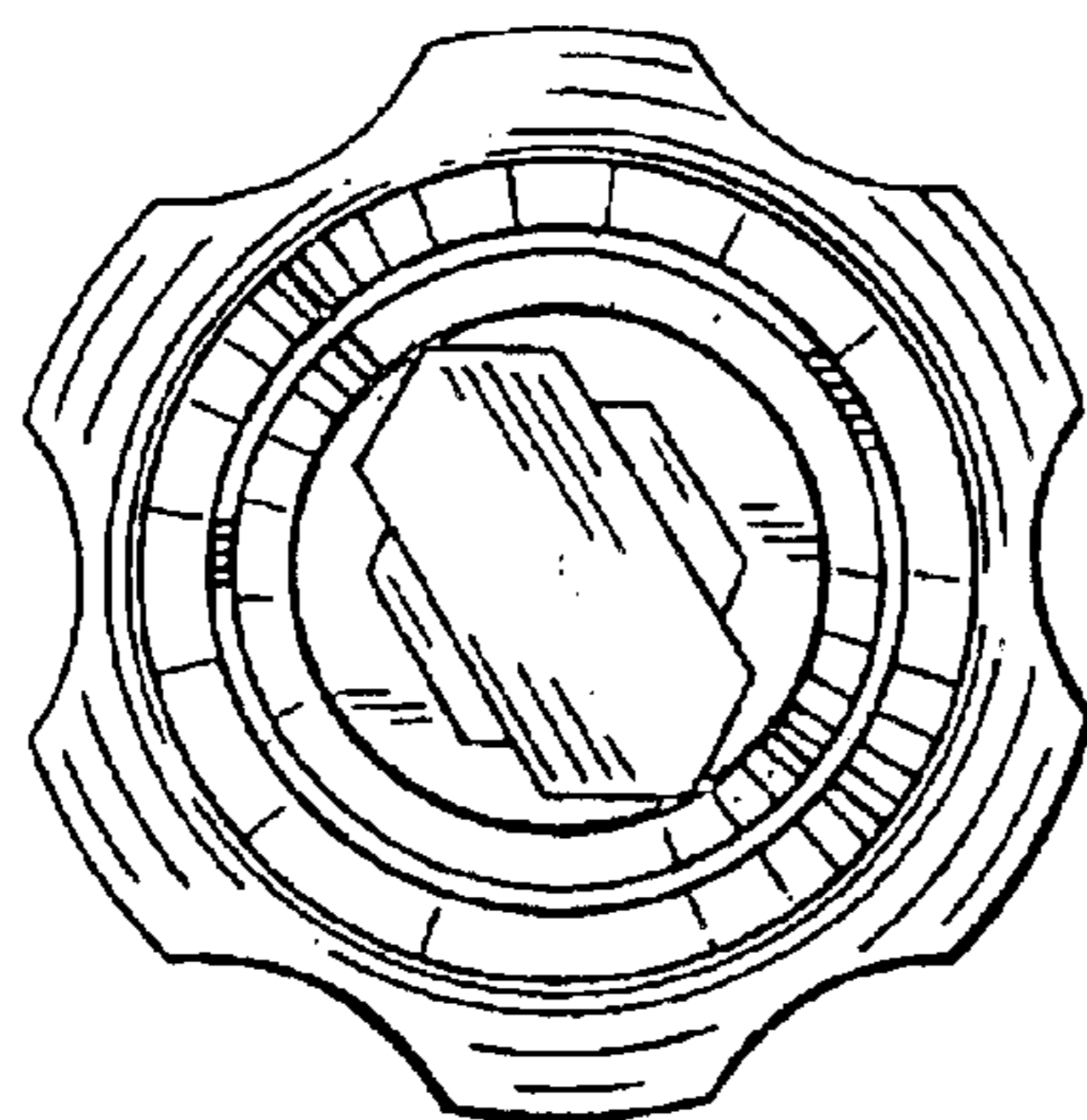


FIG. 6

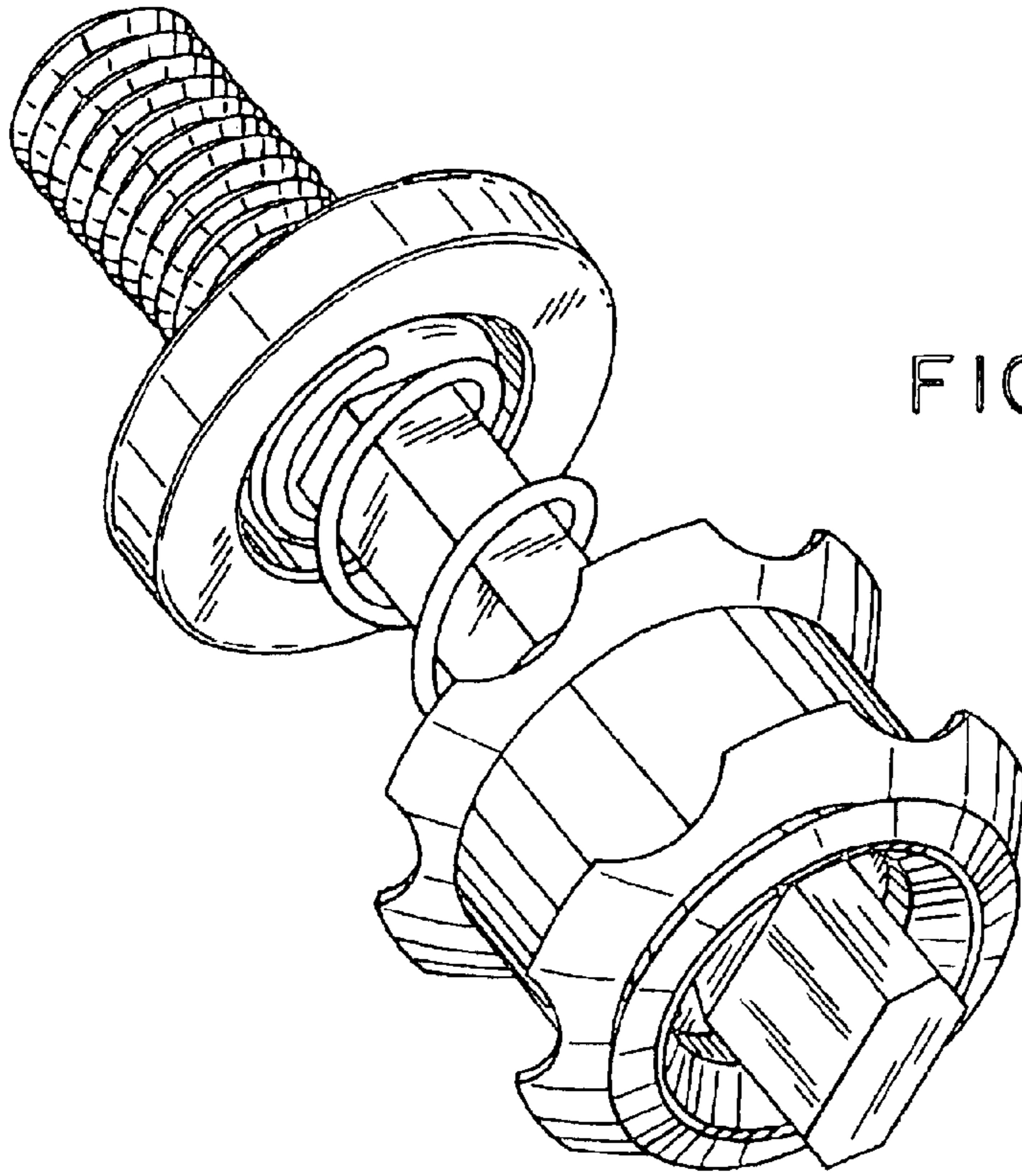


FIG. 7

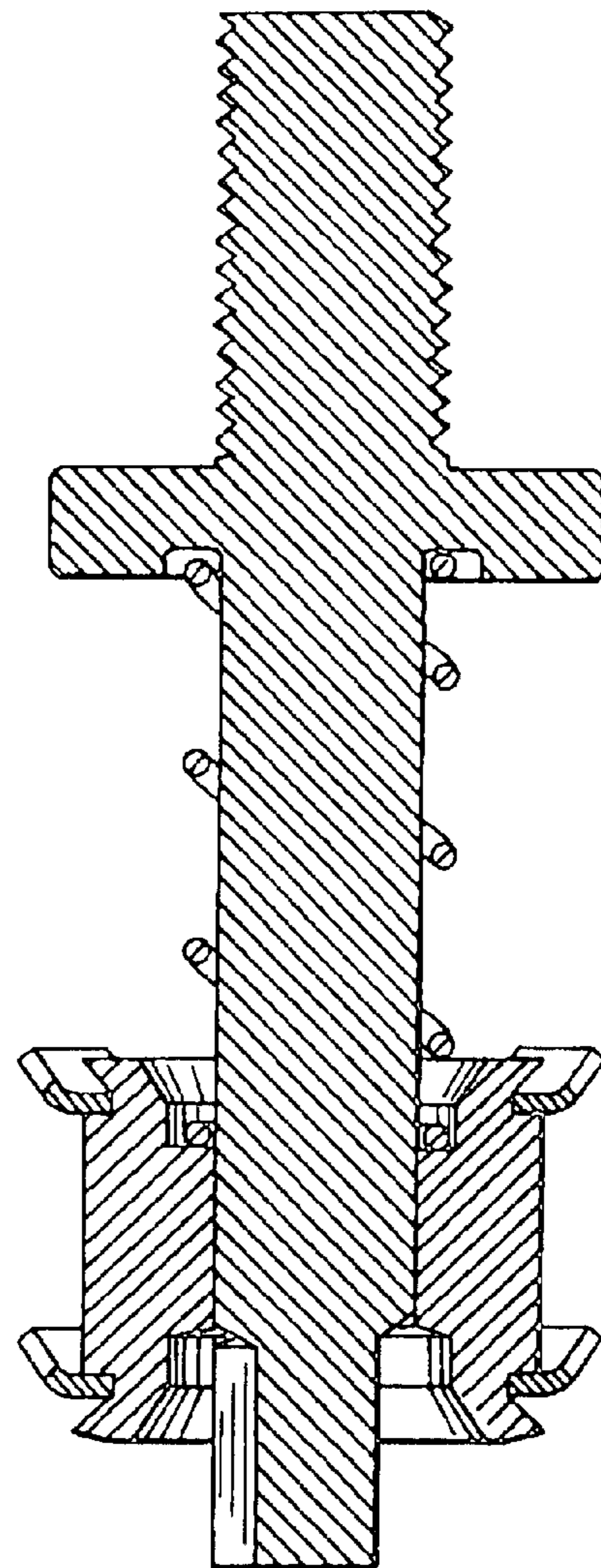


FIG. 8