

US00D496851S1

(12) **United States Design Patent** (10) **Patent No.:** **US D496,851 S**
Stephen et al. (45) **Date of Patent:** **** Oct. 5, 2004**

(54) **RING-POST FASTENER**

(76) Inventors: **Robert Stephen**, 2755 Thompson Creek Rd., Pomona, CA (US) 91767;
Curt Backman, 12509 20th N. East, Seattle, WA (US) 98125

(**) Term: **14 Years**

(21) Appl. No.: **29/174,420**

(22) Filed: **Jan. 17, 2003**

Related U.S. Application Data

(63) Continuation of application No. 29/164,845, filed on Jul. 30, 2002, now abandoned.

(51) **LOC (7) Cl.** **08-08**

(52) **U.S. Cl.** **D8/382**

(58) **Field of Search** D8/387; 411/411, 411/378

(56) **References Cited**

U.S. PATENT DOCUMENTS

D231,900 S	*	6/1974	Hewson	D8/373
D335,077 S	*	4/1993	Haney	D8/387
D414,403 S	*	9/1999	Coven	D8/387
5,980,180 A	*	11/1999	Schiess	411/522

* cited by examiner

Primary Examiner—Holly Baynham

(74) *Attorney, Agent, or Firm*—Drummond & Duckworth

(57) **CLAIM**

The ornamental design for a ring-post fastener, as shown and described.

DESCRIPTION

FIG. 1 is a side view of the ring-post fastener as seen from the front, back, left and/or right sides, showing our design;

FIG. 2 is a top view thereof;

FIG. 3 is a bottom view thereof;

FIG. 4 is a perspective view thereof;

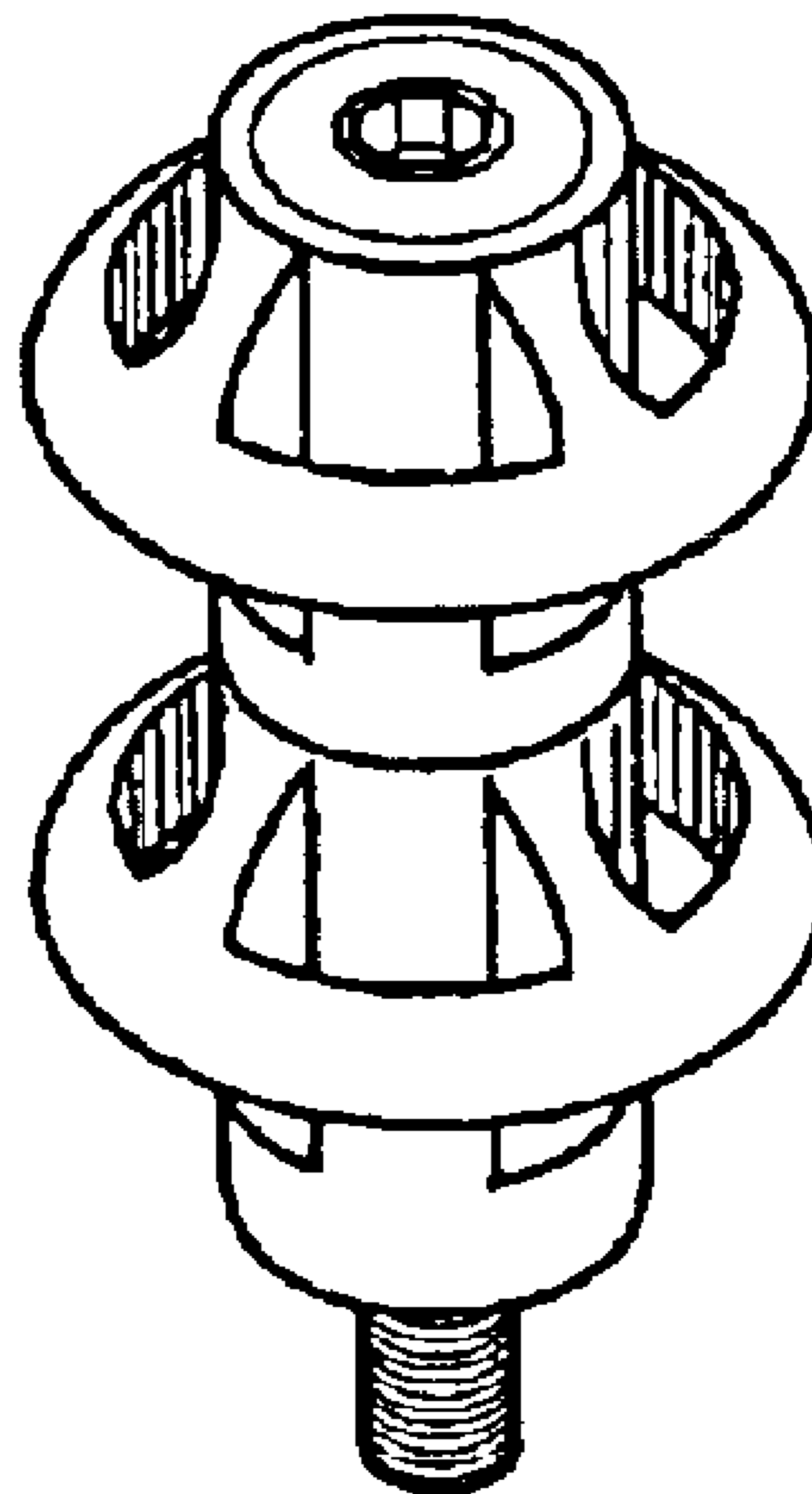
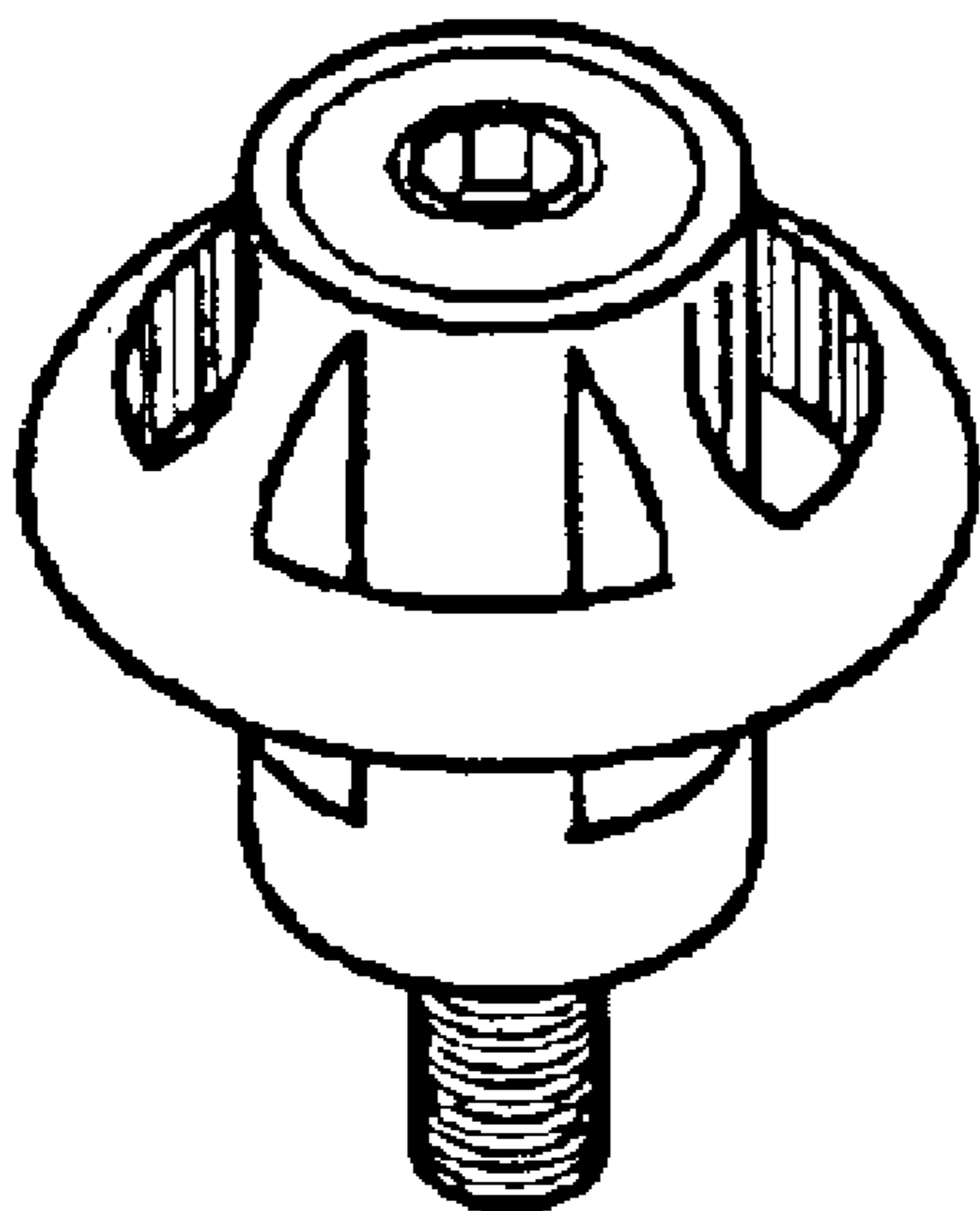
FIG. 5 is a perspective view of a second embodiment of the present invention illustrating two ring-post fasteners of FIG. 1 in a stacked configuration;

FIG. 6 is a perspective view of the ring-post fastener of FIG. 1 illustrating the invention's use of a tie strap to bundle and secure elongate objects to a support surface; and,

FIG. 7 is a perspective view of the second embodiment of two ring-posts shown in FIG. 5 in a stacked configuration illustrating the invention's use of a tie strap to bundle and secure objects to a support surface.

The broken lines showing a tie strap, electrical wires, and a support surface in FIGS. 6 and 7 are for illustrative purposes only and form no part of the claim's design.

1 Claim, 2 Drawing Sheets



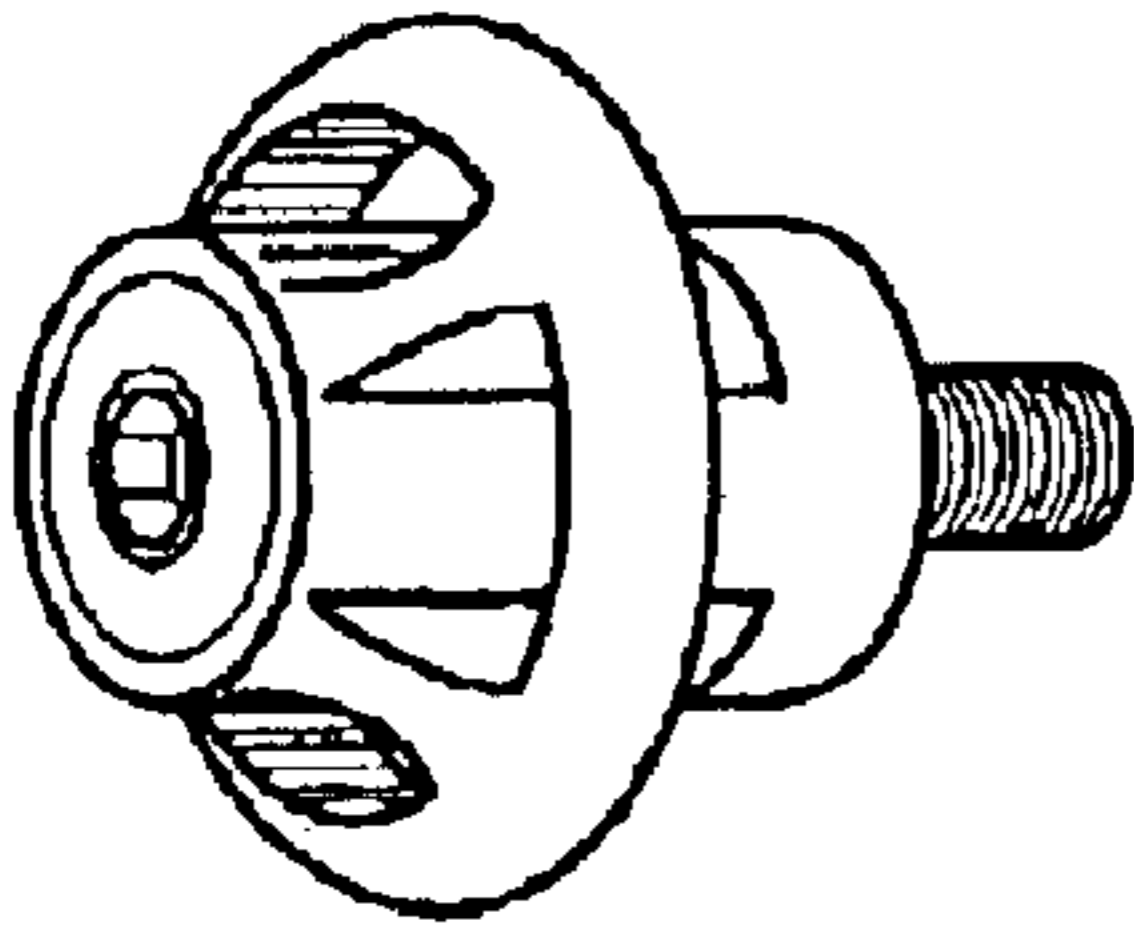


FIG. 1

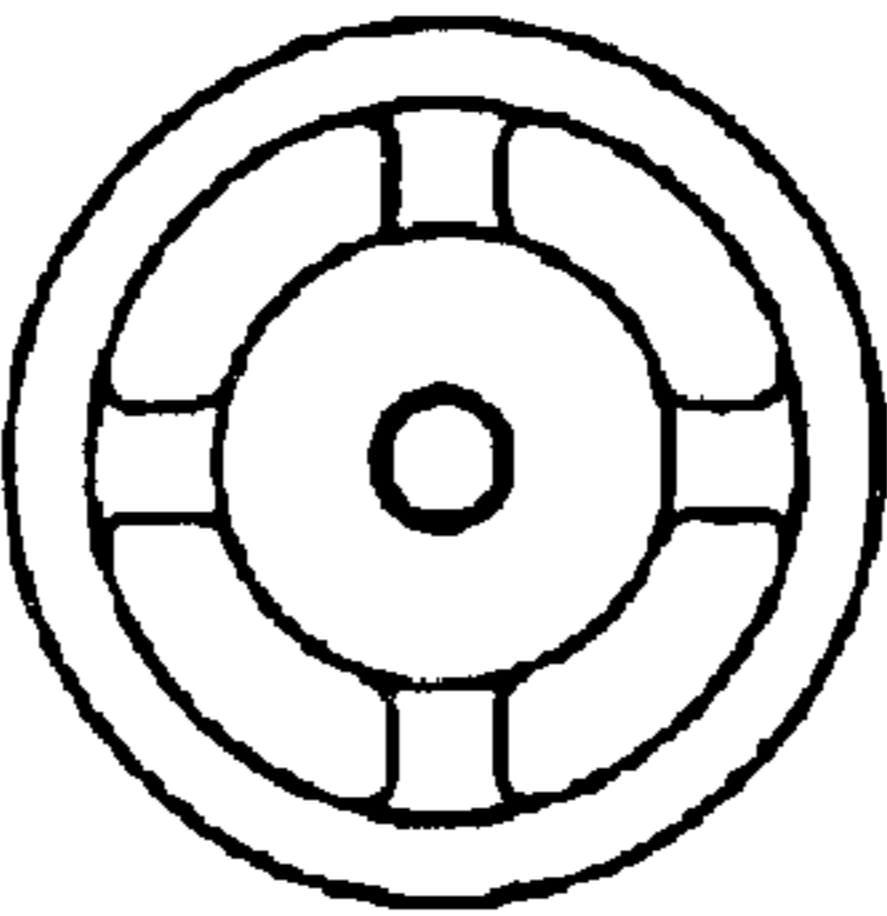


FIG. 2

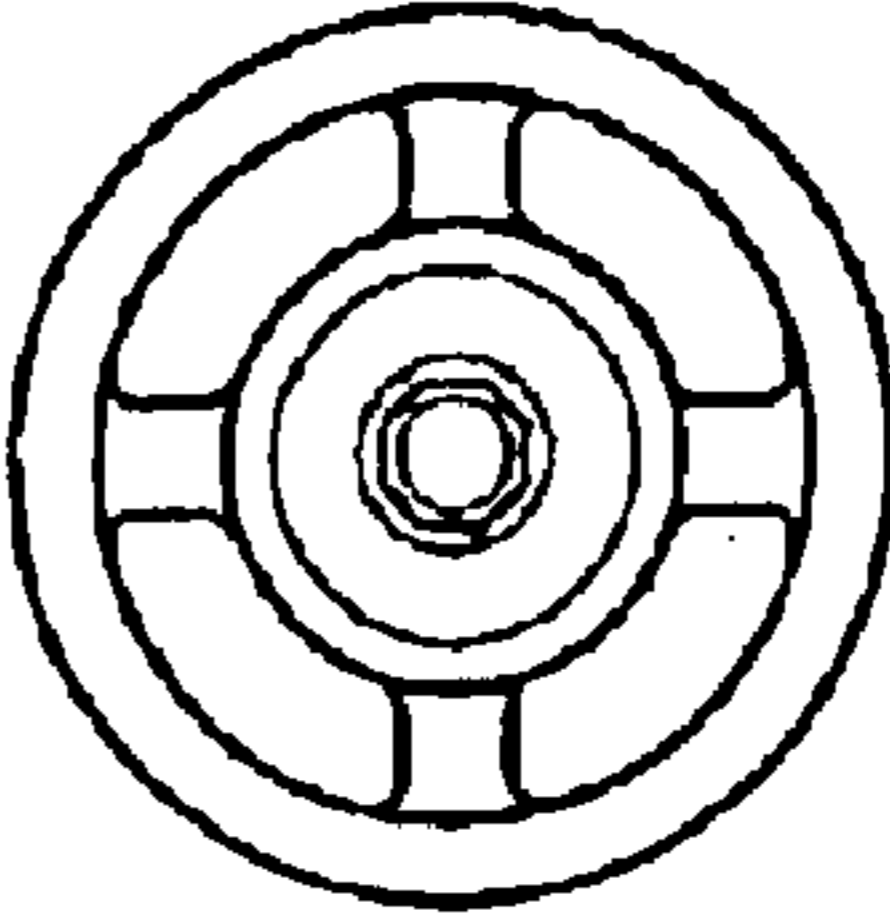


FIG. 3

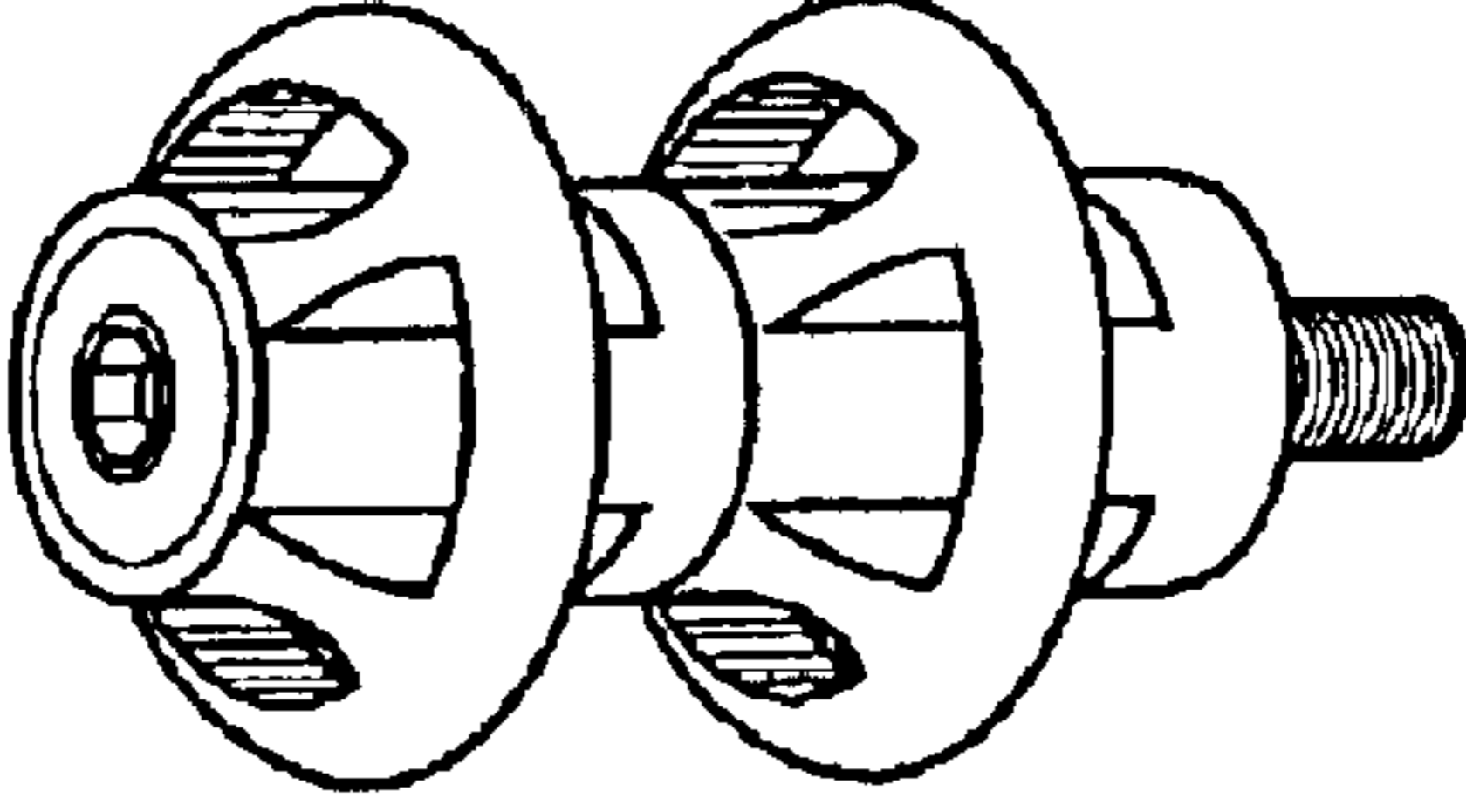


FIG. 4

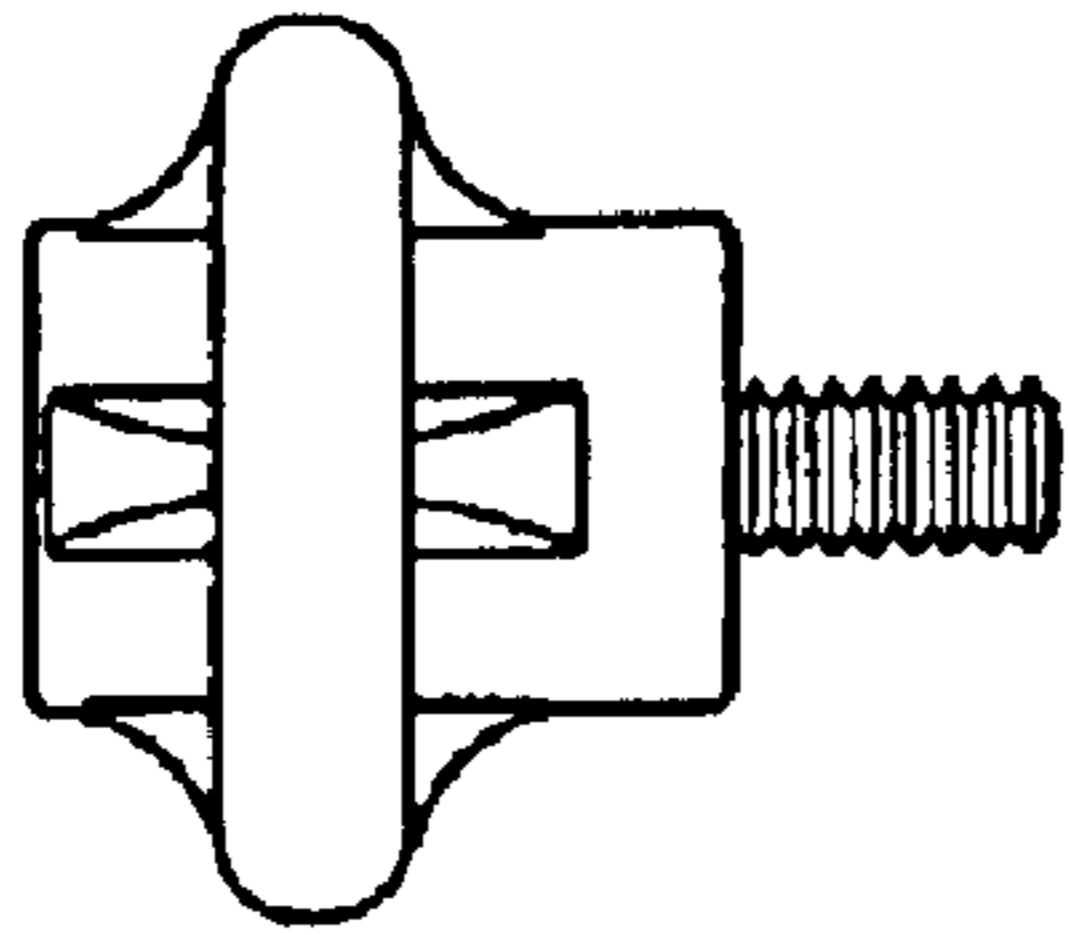


FIG. 5

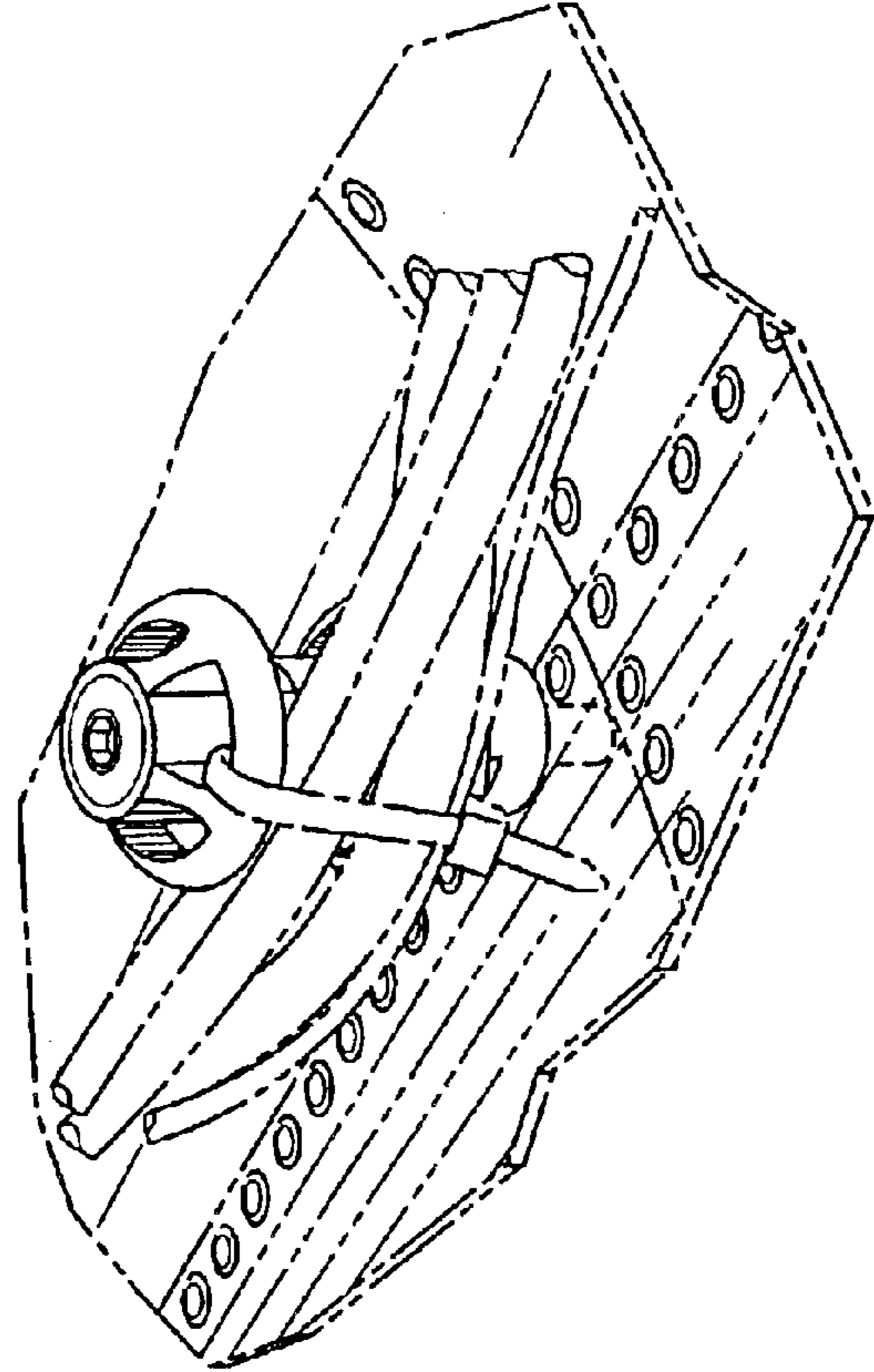


FIG. 6

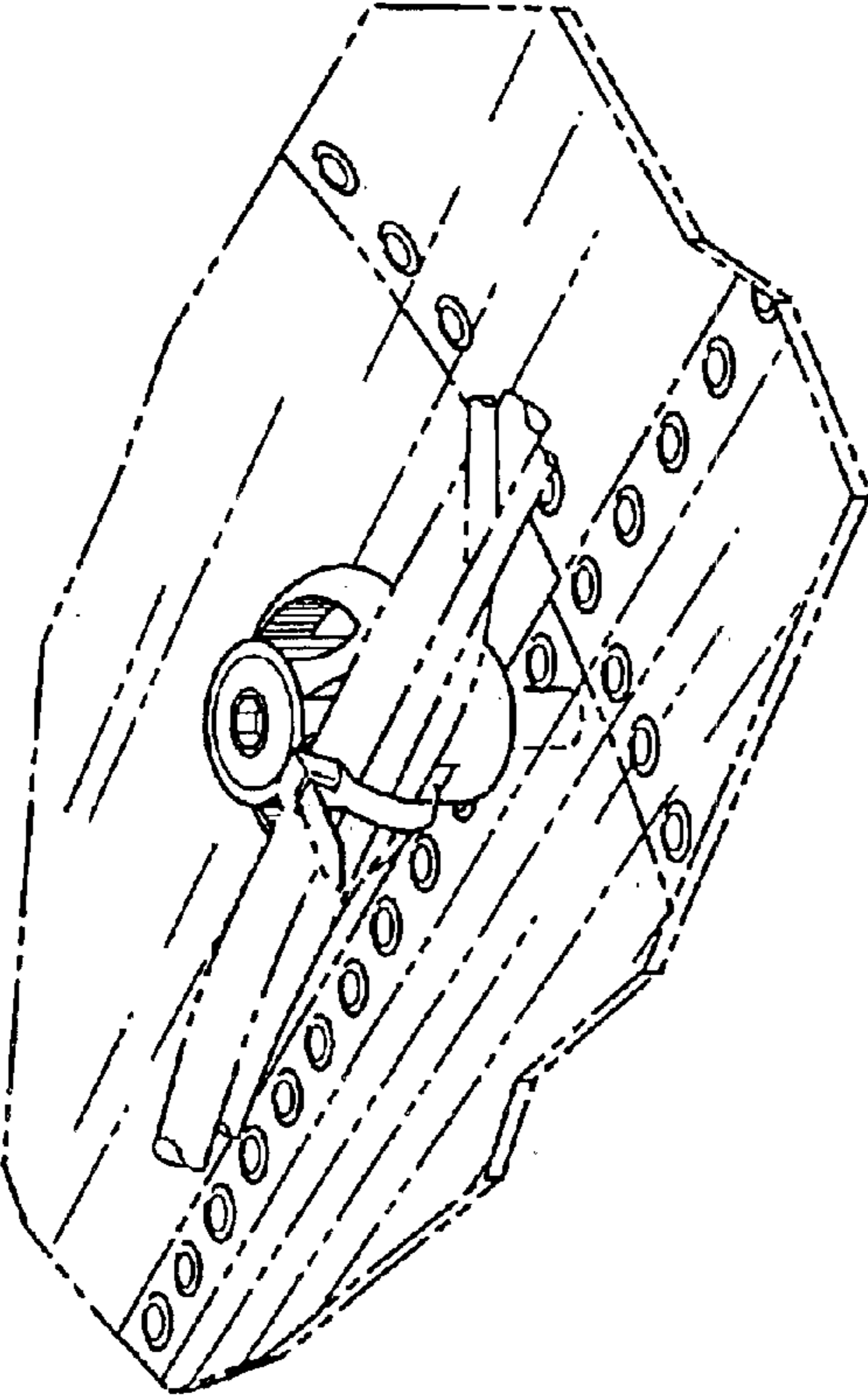


FIG. 7