

US00D496846S1

(12) **United States Design Patent** (10) **Patent No.:** **US D496,846 S**  
**Rivera et al.** (45) **Date of Patent:** **\*\* Oct. 5, 2004**

(54) **SIDE PLATE FOR A HANDLE**

(75) Inventors: **Benjamin C. Rivera**, West Linn, OR (US); **Hollan A. Tsuda**, Portland, OR (US); **Nathan E. Knight**, Portland, OR (US); **Melissa C. Yale**, Portland, OR (US); **Glenn Klecker**, Silverton, OR (US)

(73) Assignee: **Leatherman Tool Group, Inc.**, Portland, OR (US)

(\*\*) Term: **14 Years**

(21) Appl. No.: **29/197,327**

(22) Filed: **Jan. 13, 2004**

(51) **LOC (7) Cl.** ..... **08-05**

(52) **U.S. Cl.** ..... **D8/107; D8/105**

(58) **Field of Search** ..... D8/54-56, 99, D8/105, 107; 7/118, 119, 125-135, 158, 163-166, 168; 30/160, 161; 81/427.5, 440

(56) **References Cited**

**U.S. PATENT DOCUMENTS**

2,869,232 A	1/1959	Kivela	
3,783,509 A	1/1974	Lake	
D280,179 S	8/1985	Miceli	
4,744,272 A	5/1988	Leatherman	
5,111,581 A	5/1992	Collins	
D332,384 S	* 1/1993	Dague	D8/105
D344,006 S	2/1994	Glesser	
D356,019 S	3/1995	Sakai	
D357,166 S	* 4/1995	Concari	D8/107
D367,807 S	3/1996	Hung	
D368,634 S	4/1996	Frazer	
D373,521 S	9/1996	Applegate et al.	
D382,190 S	8/1997	Blackston et al.	
D384,872 S	10/1997	Yeh	
D385,170 S	10/1997	Rivera	
5,711,194 A	1/1998	Anderson	
D398,209 S	9/1998	Rivera	
D398,213 S	9/1998	Rivera	
D405,675 S	2/1999	Rivera	

D405,676 S	2/1999	Rivera	
D406,508 S	3/1999	Rivera	
D406,509 S	3/1999	Rivera	
D407,004 S	3/1999	Hull et al.	
D408,238 S	4/1999	Rivera	
6,003,180 A	* 12/1999	Frazer	7/128
D427,501 S	7/2000	Rivera	
D436,514 S	* 1/2001	Rivera	D8/105
D445,009 S	7/2001	Rivera	
D446,708 S	8/2001	Rivera	
D446,709 S	8/2001	Rivera	
D447,039 S	8/2001	Rivera	

(List continued on next page.)

*Primary Examiner*—Clare E Heflin

(74) *Attorney, Agent, or Firm*—Chernoff, Vilhauer, McClung & Stenzel, LLP

(57) **CLAIM**

The ornamental design for a side plate for a handle, as shown and described.

**DESCRIPTION**

FIG. 1 is an isometric view from the upper left front of a side plate for a handle, including our new design, wherein portions of pivot pins and portions of a tool handle shown in broken line are included merely for illustrative purposes and form no part of the claimed design;

FIG. 2 is a top plan view of the side plate for a tool handle shown in FIG. 1;

FIG. 3 is a front end elevational view thereof;

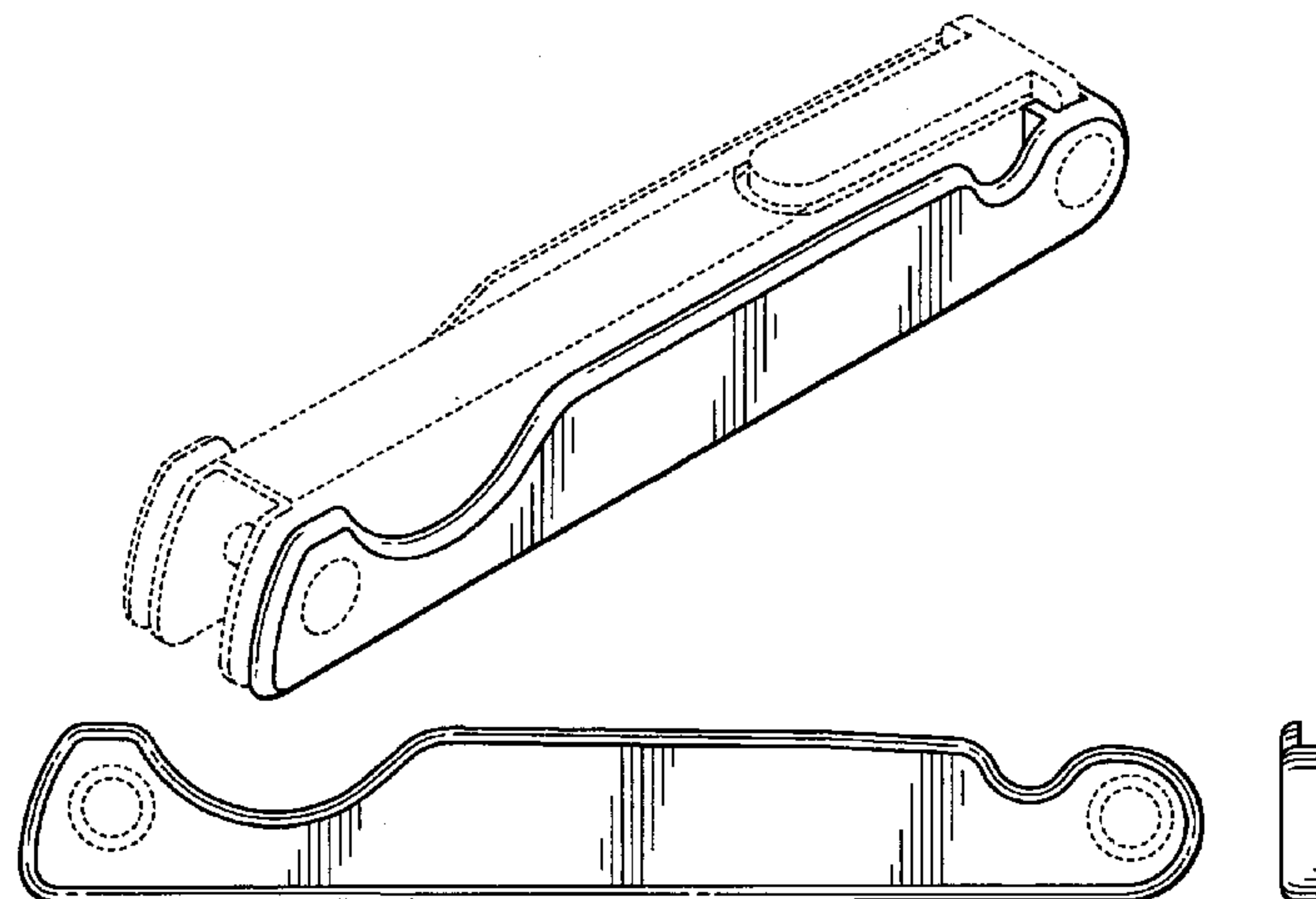
FIG. 4 is a left, or outer, side elevational view thereof, wherein countersunk holes for pivot pins shown in broken line are included merely for illustrative purposes and form no part of the claimed design;

FIG. 5 is a rear end elevational view thereof;

FIG. 6 is a bottom plan view thereof; and,

FIG. 7 is a right, or inner, side elevational view thereof, wherein holes for pivot pins shown in broken line are included merely for illustrative purposes and form no part of the claimed design.

**1 Claim, 2 Drawing Sheets**



# US D496,846 S

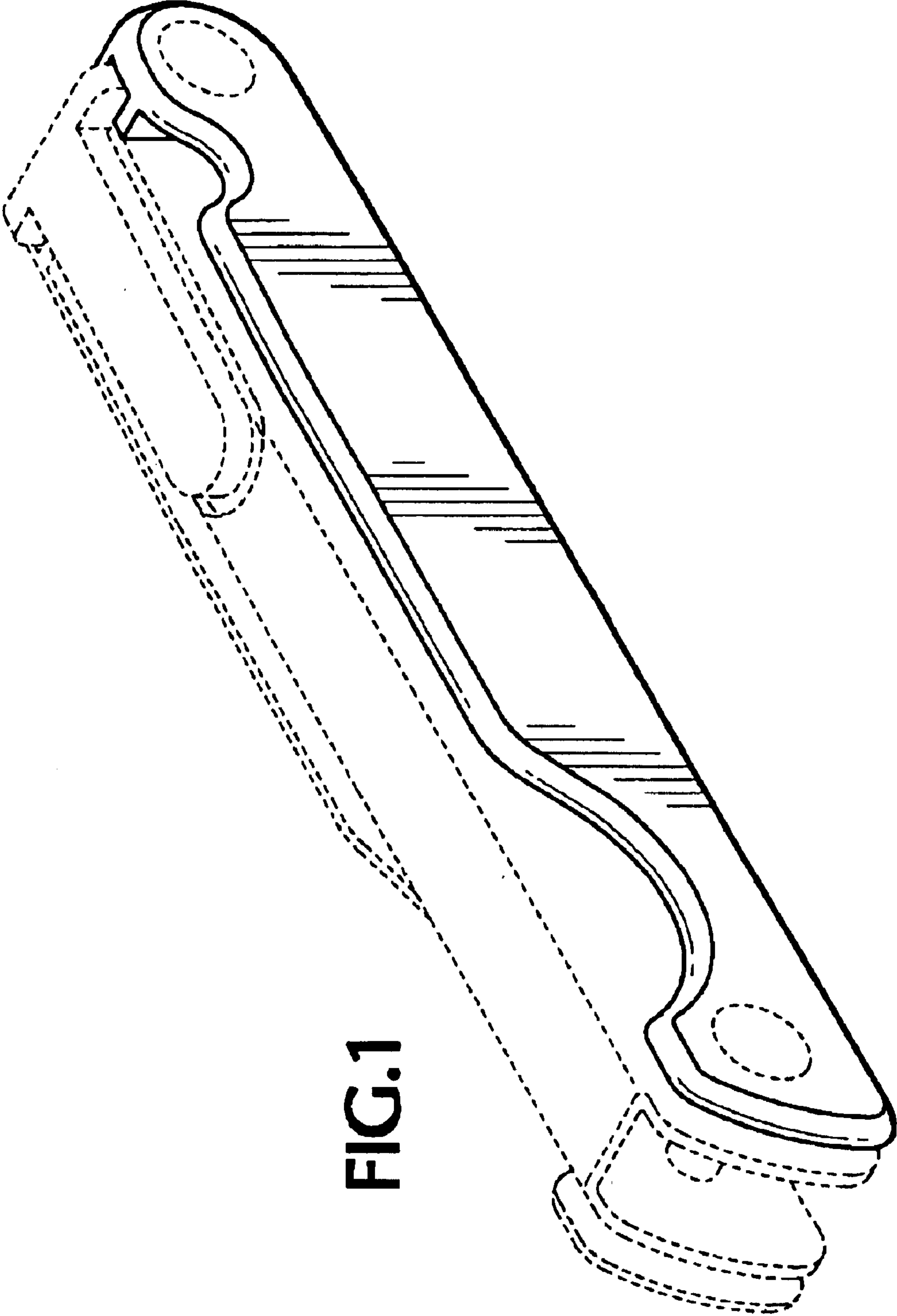
Page 2

---

## U.S. PATENT DOCUMENTS

D447,041 S	8/2001	Rivera		
D447,401 S	9/2001	Rivera		
6,282,996 B1	9/2001	Berg et al.		
6,305,041 B1	10/2001	Montague et al.		
6,318,218 B1 *	11/2001	Anderson et al. ....	81/440	
6,427,334 B2	8/2002	Onion		
D470,031 S	2/2003	Rivera		
D470,032 S	2/2003	Rivera		
D470,372 S	2/2003	Rivera		
D474,670 S	5/2003	Rivera		
D479,788 S *	9/2003	Ocklenburg .....	D8/105	
6,622,328 B2 *	9/2003	Rivera .....	7/128	
6,625,832 B2 *	9/2003	Montague et al. ....	7/128	

\* cited by examiner



**FIG.1**



FIG. 2



FIG. 3

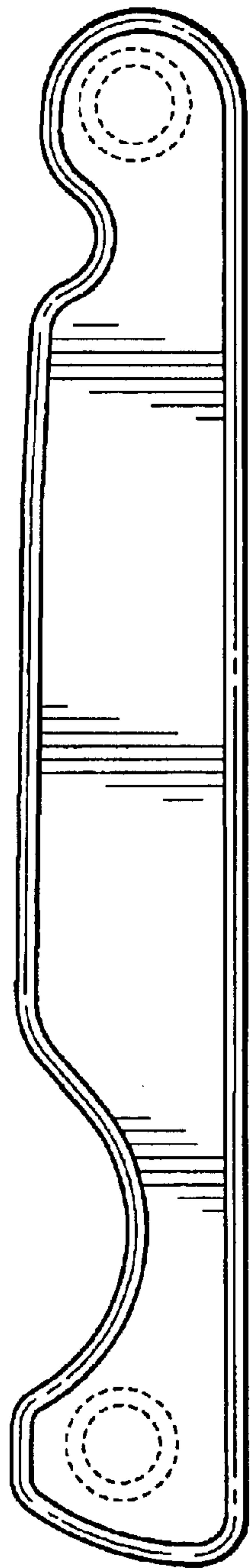


FIG. 4



FIG. 5



FIG. 6

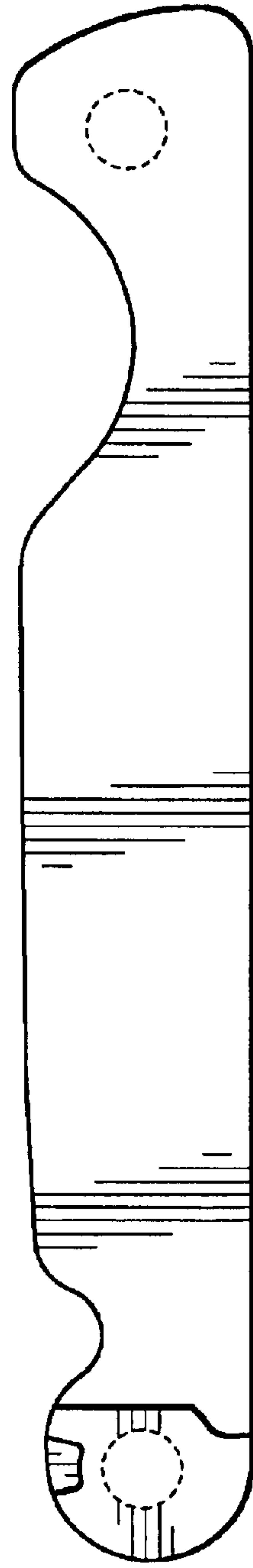


FIG. 7