

US00D496844S1

(12) **United States Design Patent**
Winig et al.

(10) **Patent No.:** **US D496,844 S**
(45) **Date of Patent:** **** Oct. 5, 2004**

- (54) **TOOL HOLDER**
- (75) Inventors: **Alan Winig**, Wynnewood, PA (US);
Richard Winig, Villanova, PA (US);
James Eldon, Barto, PA (US)
- (73) Assignee: **Eye Designs LLC**, Collegetown, PA (US)
- (**) Term: **14 Years**
- (21) Appl. No.: **29/187,456**
- (22) Filed: **Aug. 1, 2003**
- (51) **LOC (7) Cl.** **08-05**
- (52) **U.S. Cl.** **D8/71**
- (58) **Field of Search** D8/71, 14.1, 64, D8/66, 70, 72, 73, 74, 349, 354, 373; D6/467, 469, 567, 574; D15/130, 132, 138, 139, 140, 141; 33/474, 533, 613; 81/177.1, 437, 177.4, 438, 439, 490; 82/161; 83/581, 760, 762-764, 766; 142/48, 49, 55; 211/60.1, 70.6, 71.01, 74, 65, 90.01; 248/80, 153, 175, 176.1, 201, 304, 309.1, 312, 312.1, 315, 316.8; 269/41, 42, 283

- 4,340,144 A 7/1982 Cousins
- 4,439,884 A 4/1984 Giorni
- 4,450,961 A 5/1984 Bies et al.
- 4,508,301 A 4/1985 Nicholson et al.
- 4,516,681 A 5/1985 Jahel
- D282,128 S * 1/1986 Bell et al. D6/469
- 4,597,496 A 7/1986 Kaplan
- 4,632,256 A 12/1986 Gambello
- 4,750,623 A * 6/1988 Flum 211/74
- 4,771,897 A 9/1988 Ho
- 4,905,951 A 3/1990 Putness
- 4,936,565 A 6/1990 Fredrickson
- D313,550 S * 1/1991 Lorincz D8/373
- 5,005,710 A 4/1991 Hofer
- D323,089 S * 1/1992 Koerbel D6/574
- 5,201,430 A 4/1993 Artzer
- 5,224,609 A 7/1993 Bauer et al.
- 5,337,987 A 8/1994 Sawatsky
- 5,482,168 A 1/1996 Welch et al.
- 5,515,969 A 5/1996 Schonenbach
- 5,573,111 A 11/1996 Gordon et al.
- 5,704,495 A * 1/1998 Bale et al. 211/71.01
- 5,706,936 A 1/1998 Bernstein
- 5,711,419 A 1/1998 Beales et al.
- 5,738,228 A 4/1998 Bittinger
- 5,855,274 A 1/1999 Piao

(List continued on next page.)

(56) **References Cited**
U.S. PATENT DOCUMENTS

- 878,233 A * 2/1908 Paulson 211/74
- 1,056,237 A * 3/1913 Waller 211/74
- 1,958,772 A 5/1934 Stewart
- 1,992,857 A 2/1935 Breedlove
- 2,121,307 A 6/1938 Swift
- 2,533,355 A * 12/1950 Comfort 211/65
- 2,566,650 A * 9/1951 Anderson 211/65
- 2,785,919 A 3/1957 Grondzik
- 2,815,863 A * 12/1957 Larson 211/90.01
- 2,956,687 A 10/1960 Robichaud
- 2,995,256 A 8/1961 Schoenfisch
- 3,063,569 A 11/1962 Huber
- 3,269,550 A * 8/1966 Marcus 211/70.6
- 3,565,020 A 2/1971 Schier et al.
- 4,325,484 A 4/1982 Berry

Primary Examiner—James Gandy
Assistant Examiner—T. Chase Nelson
(74) *Attorney, Agent, or Firm*—Duane Morris LLP

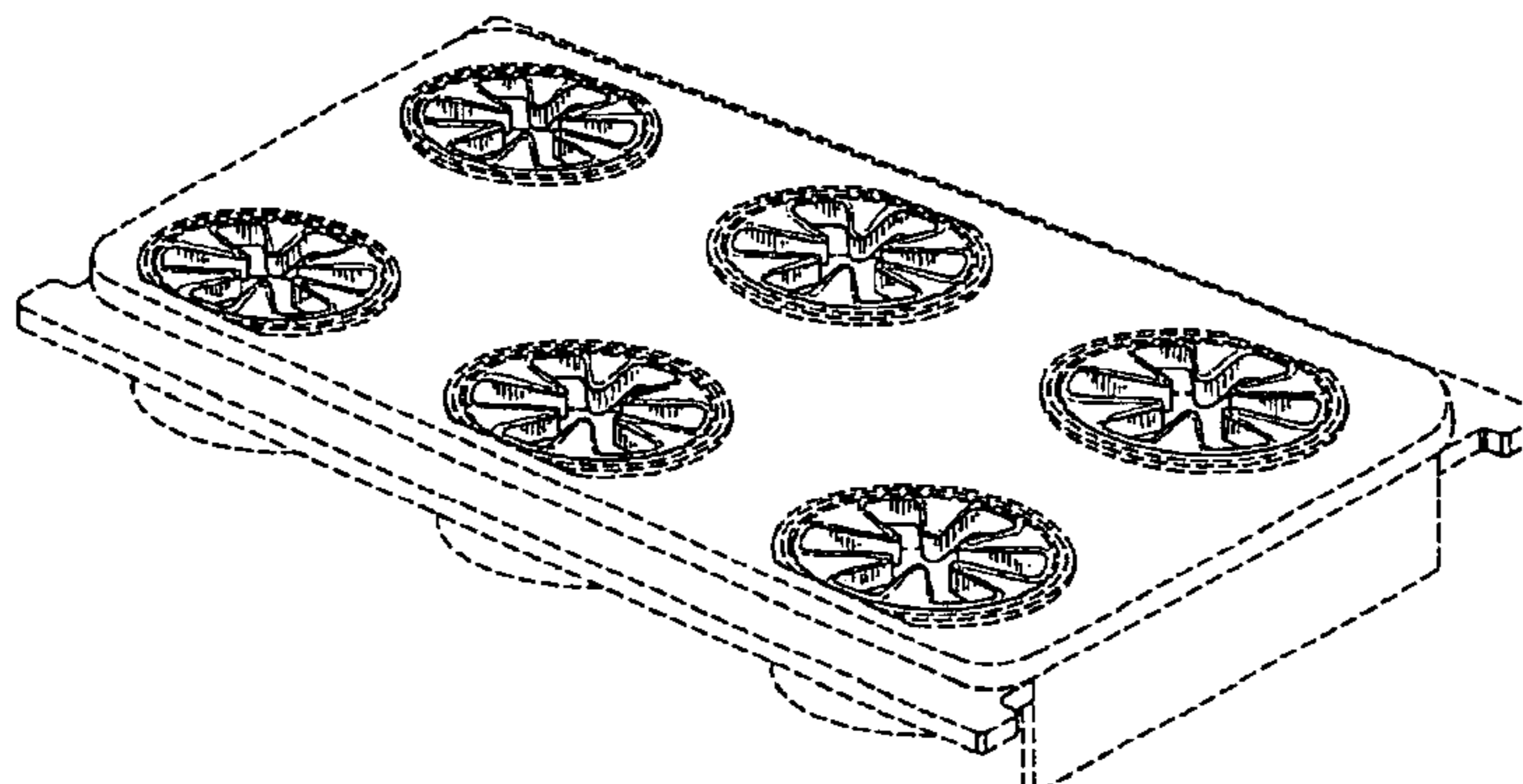
(57) **CLAIM**

The ornamental design for a tool holder, as shown and described.

DESCRIPTION

FIG. 1 is a perspective view of the tool holder according to the invention;
FIG. 2 is a top view of the tool holder; and,
FIG. 3 is a bottom view of the tool holder.
The broken line showing of structure is for illustrative purposes only and forms no part of the claimed design.

1 Claim, 2 Drawing Sheets



US D496,844 S

Page 2

U.S. PATENT DOCUMENTS

5,909,936 A	6/1999	Daniels et al.	6,273,255 B1	8/2001	Rosler
5,915,307 A	6/1999	Tisbo et al.	6,273,277 B1	8/2001	Geldenhuis
5,915,572 A	6/1999	Hancock	6,299,001 B1	10/2001	Frolov et al.
5,970,663 A	10/1999	McDonough	6,450,338 B1	9/2002	Chen
6,000,912 A	12/1999	Takada et al.	6,491,267 B1	12/2002	Feldman
6,019,331 A	2/2000	Hoogland et al.	6,502,711 B1 *	1/2003	McRae 220/23.4
6,050,426 A	4/2000	Leurdijk	6,508,369 B2 *	1/2003	Wang 211/60.1
6,070,747 A	6/2000	Shea	6,533,133 B2 *	3/2003	Liu 211/74
D430,583 S *	9/2000	Fang et al. D15/139	6,581,788 B1 *	6/2003	Winig et al. 211/90.01
6,164,448 A *	12/2000	Schmutz et al. 211/60.1	D481,920 S *	11/2003	Winig et al. D8/71
6,250,466 B1	6/2001	Ernst	D482,255 S *	11/2003	Winig et al. D8/71

* cited by examiner

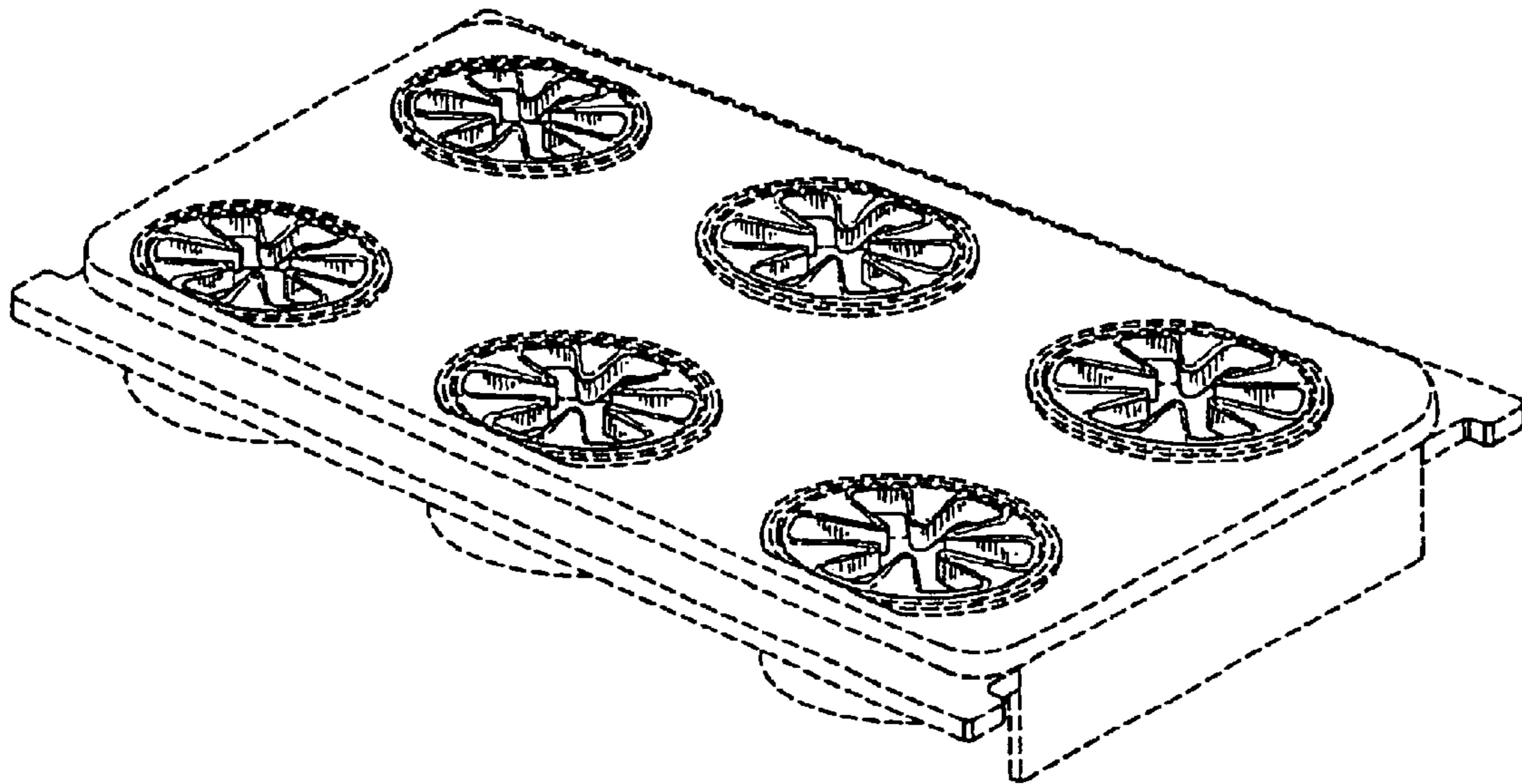


FIG. 1

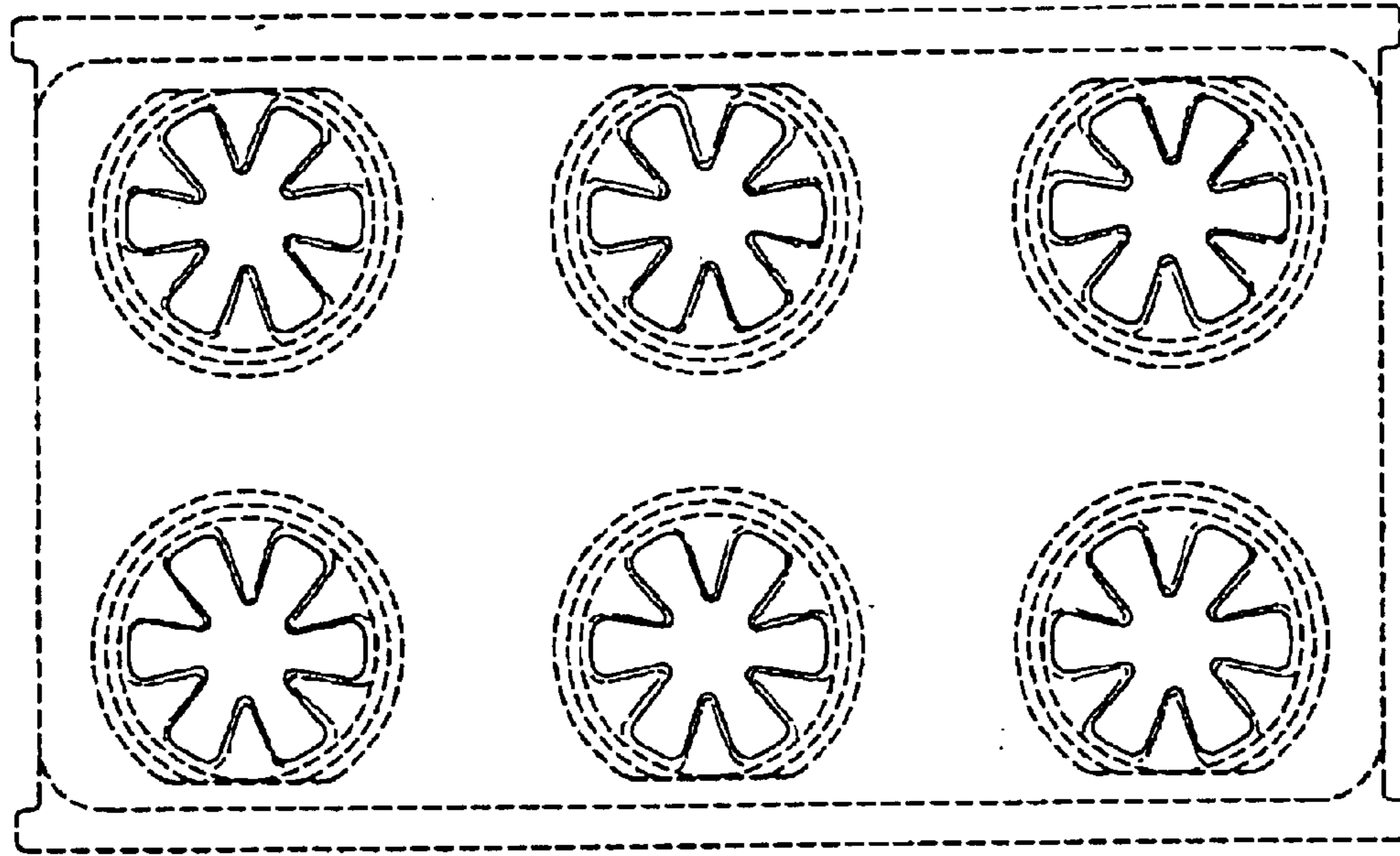


FIG. 2

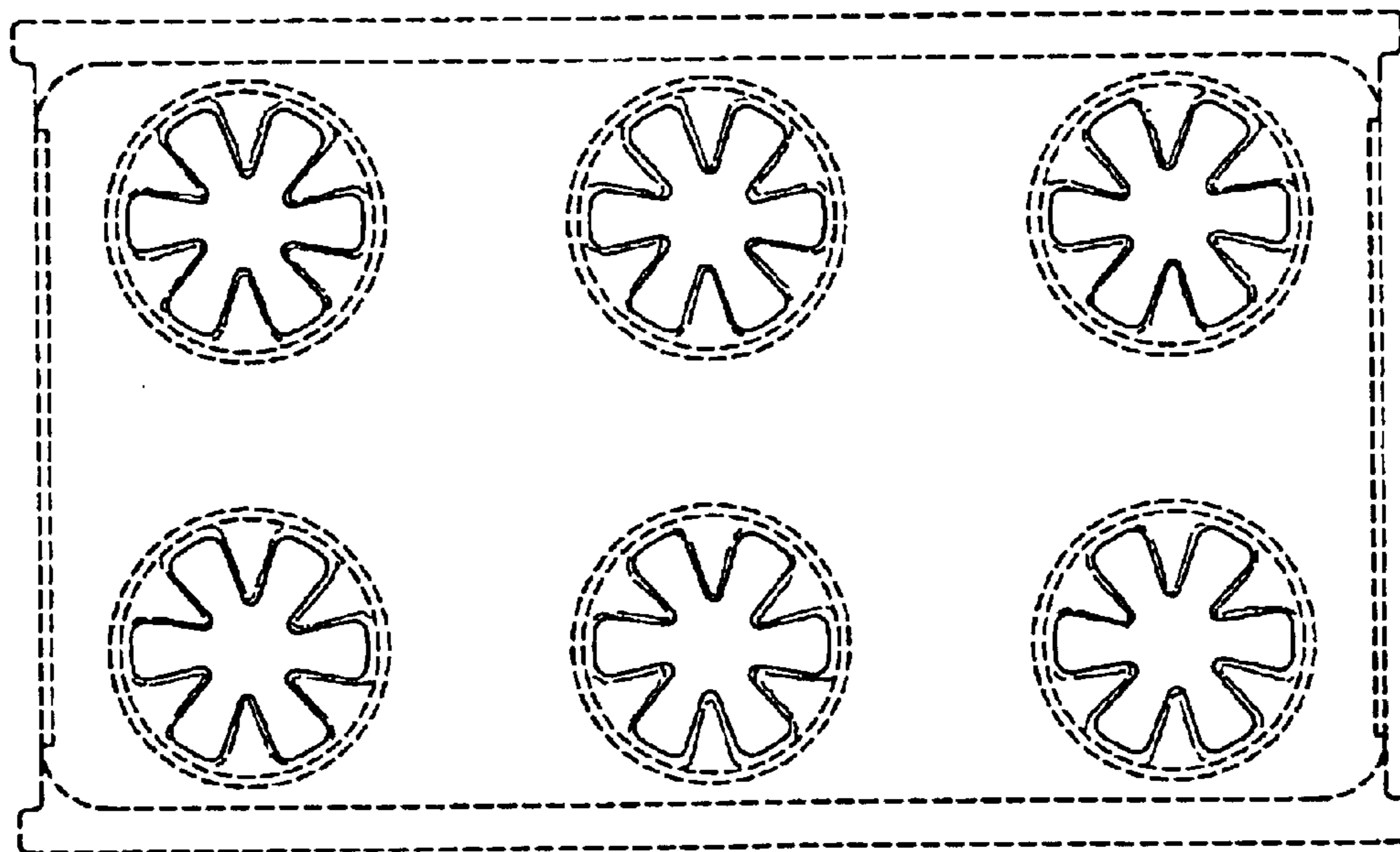


FIG. 3