

US00D496842S1

(12) **United States Design Patent**  
**Chen et al.**

(10) **Patent No.:** **US D496,842 S**  
(45) **Date of Patent:** **\*\* Oct. 5, 2004**

(54) **START CARTRIDGE**  
(75) Inventors: **Shiyu Chen**, Claremont, NH (US);  
**Kevin Horner-Richardson**, Cornish,  
NH (US); **Joseph P. Jones**, Lebanon,  
NH (US); **Roger W. Hewett**, Plainfield,  
NH (US)

(73) Assignee: **Thermal Dynamics Corporation**, West  
Lebanon, NH (US)

(\*\*) Term: **14 Years**

(21) Appl. No.: **29/166,911**

(22) Filed: **Sep. 4, 2002**

(51) **LOC (7) Cl.** ..... **08-05**

(52) **U.S. Cl.** ..... **D8/30**

(58) **Field of Search** ..... D8/30; 219/74,  
219/75, 121.5, 121.48, 121.51; 313/231.31,  
231.41

(56) **References Cited**

**U.S. PATENT DOCUMENTS**

4,864,099 A \* 9/1989 Cusick et al. .... 219/137.62  
4,891,489 A \* 1/1990 Bollinger et al. .... 219/121.48

5,597,497 A \* 1/1997 Dean et al. .... 219/121.48  
5,856,647 A \* 1/1999 Luo ..... 219/121.5  
5,965,040 A \* 10/1999 Luo et al. .... 219/121.5  
6,025,574 A \* 2/2000 Colangelo, Jr. .... 219/137.31  
6,078,023 A \* 6/2000 Jones et al. .... 219/137.63  
6,163,008 A \* 12/2000 Roberts et al. .... 219/121.48

\* cited by examiner

*Primary Examiner*—Philip S. Hyder

(74) *Attorney, Agent, or Firm*—Harness, Dickey & Pierce,  
P.L.C.

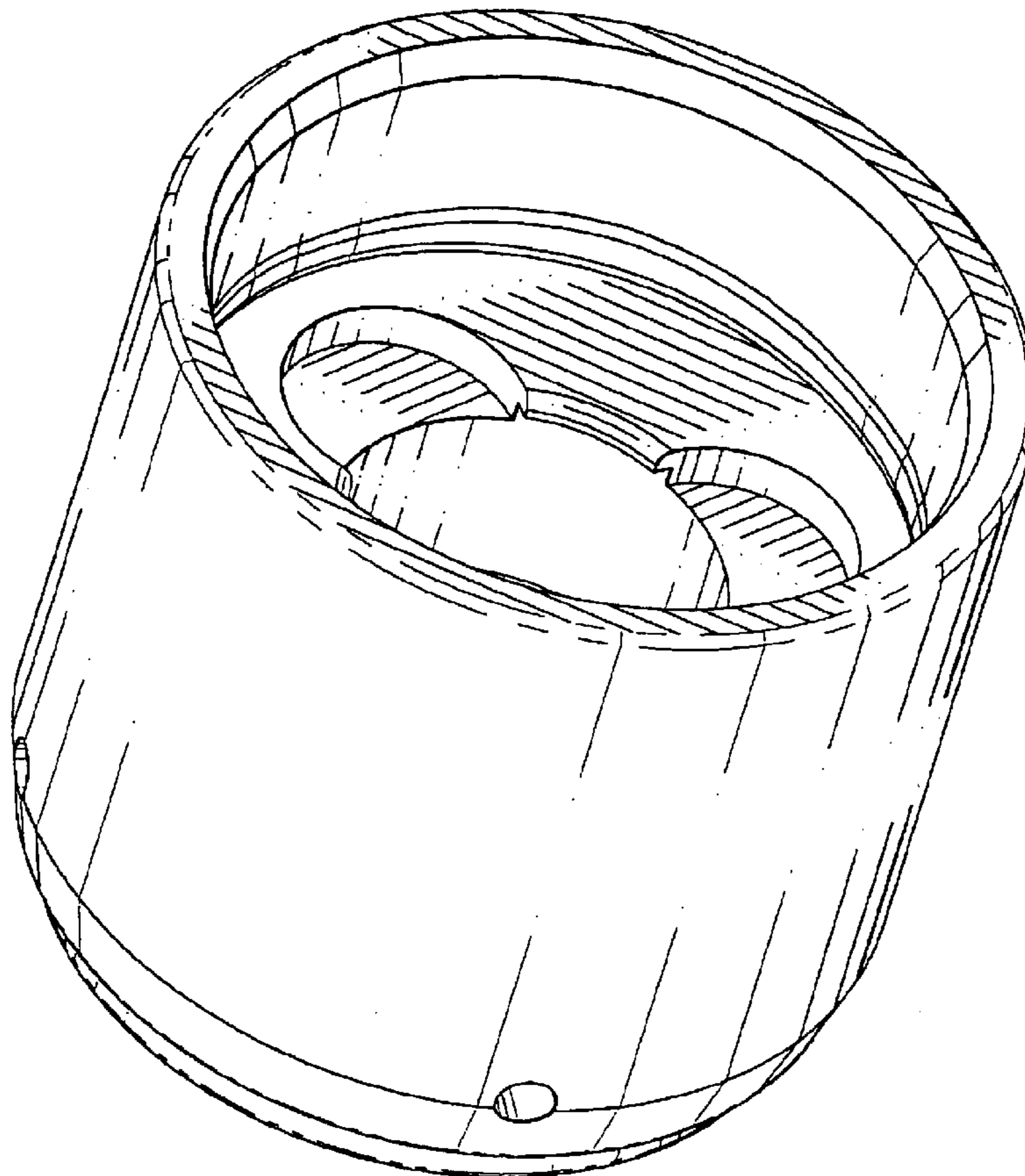
(57) **CLAIM**

The ornamental design for a start cartridge, as shown and  
described.

**DESCRIPTION**

FIG. 1 is a perspective view of the start cartridge from  
above;  
FIG. 2 is a perspective view thereof from below;  
FIG. 3 is a perspective view thereof from above and rotated  
from FIG. 1;  
FIG. 4 is a side elevation view thereof;  
FIG. 5 is a top plan view thereof; and,  
FIG. 6 is a bottom plan view thereof.

**1 Claim, 6 Drawing Sheets**



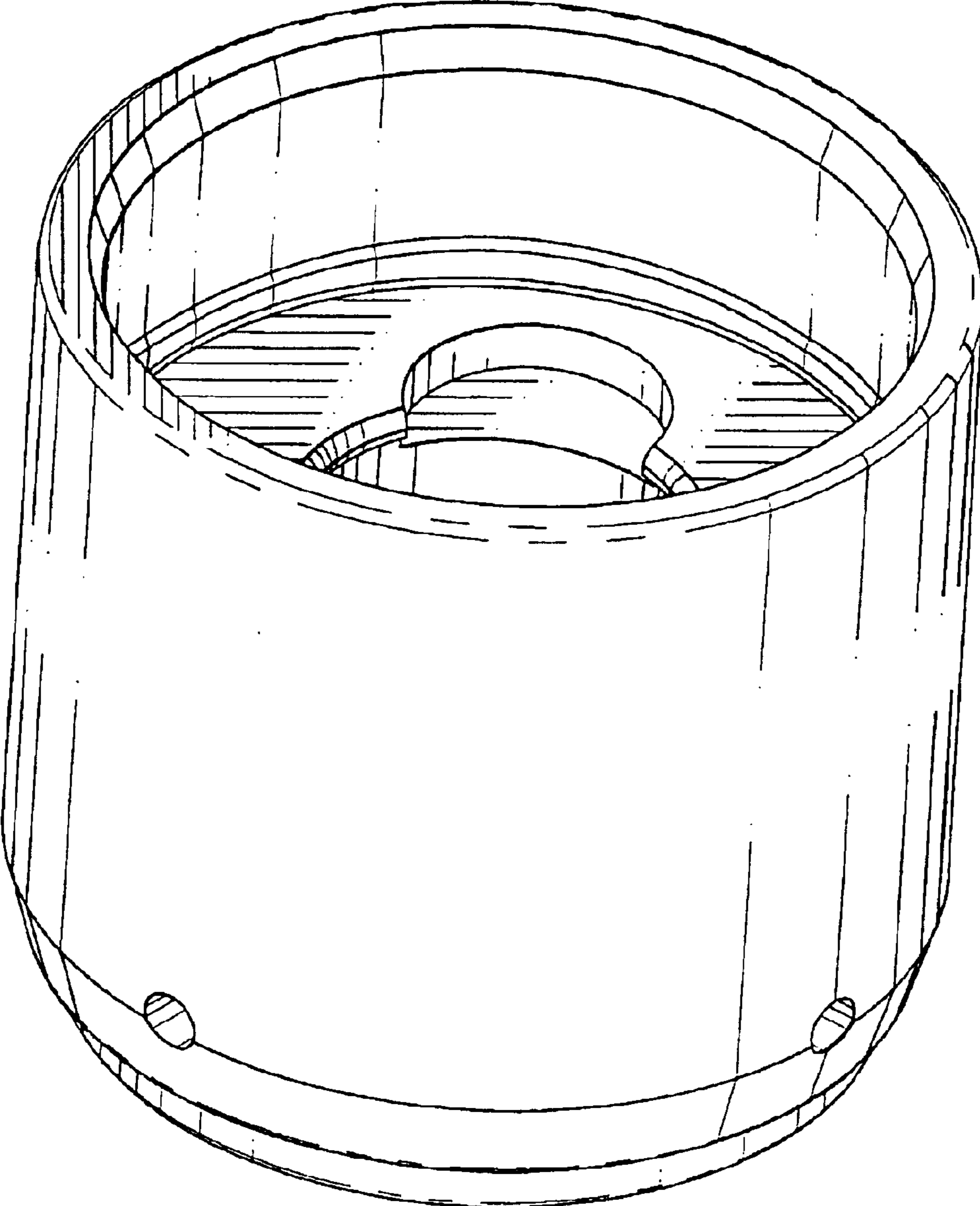


FIG. 1

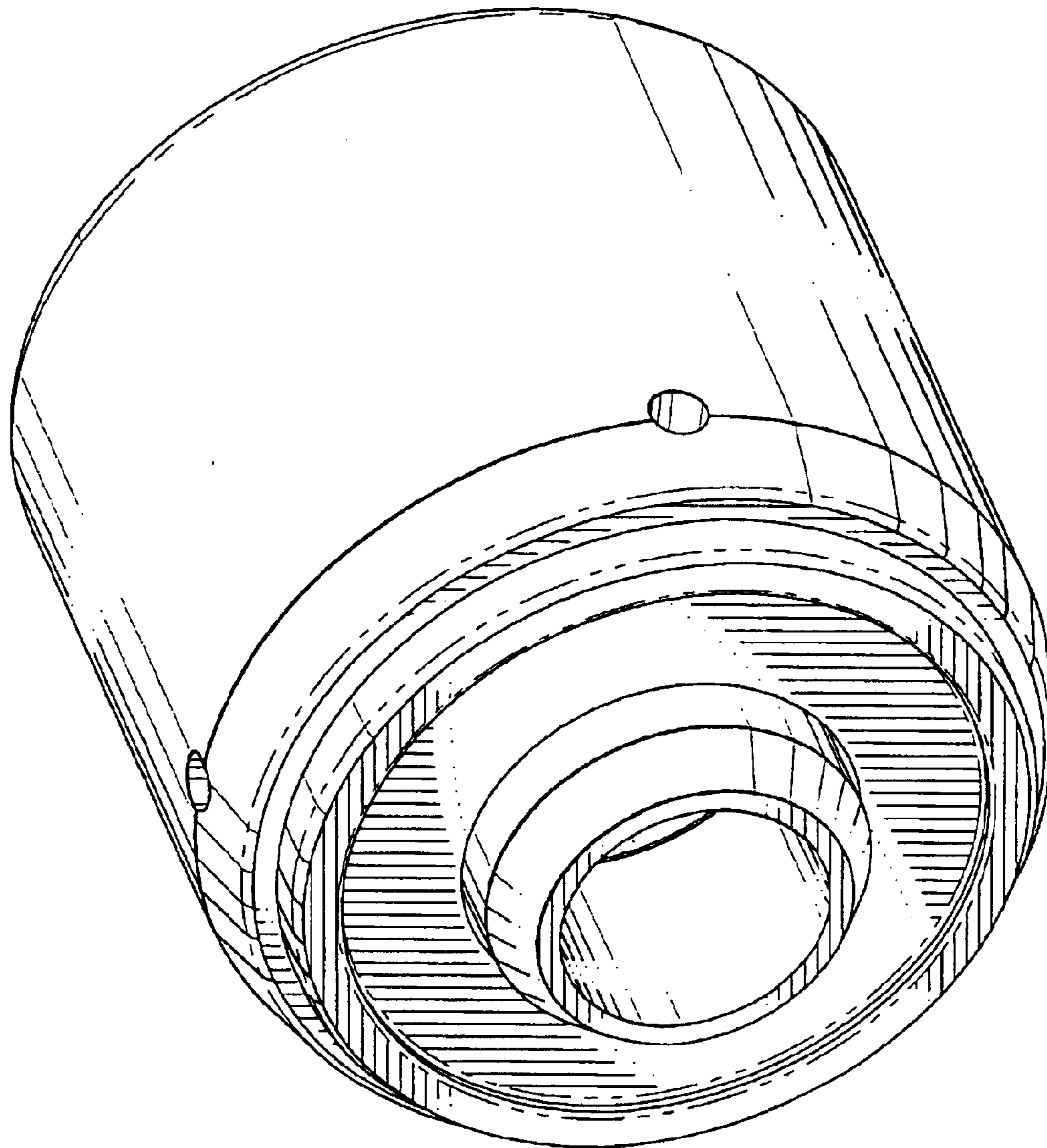


FIG. 2

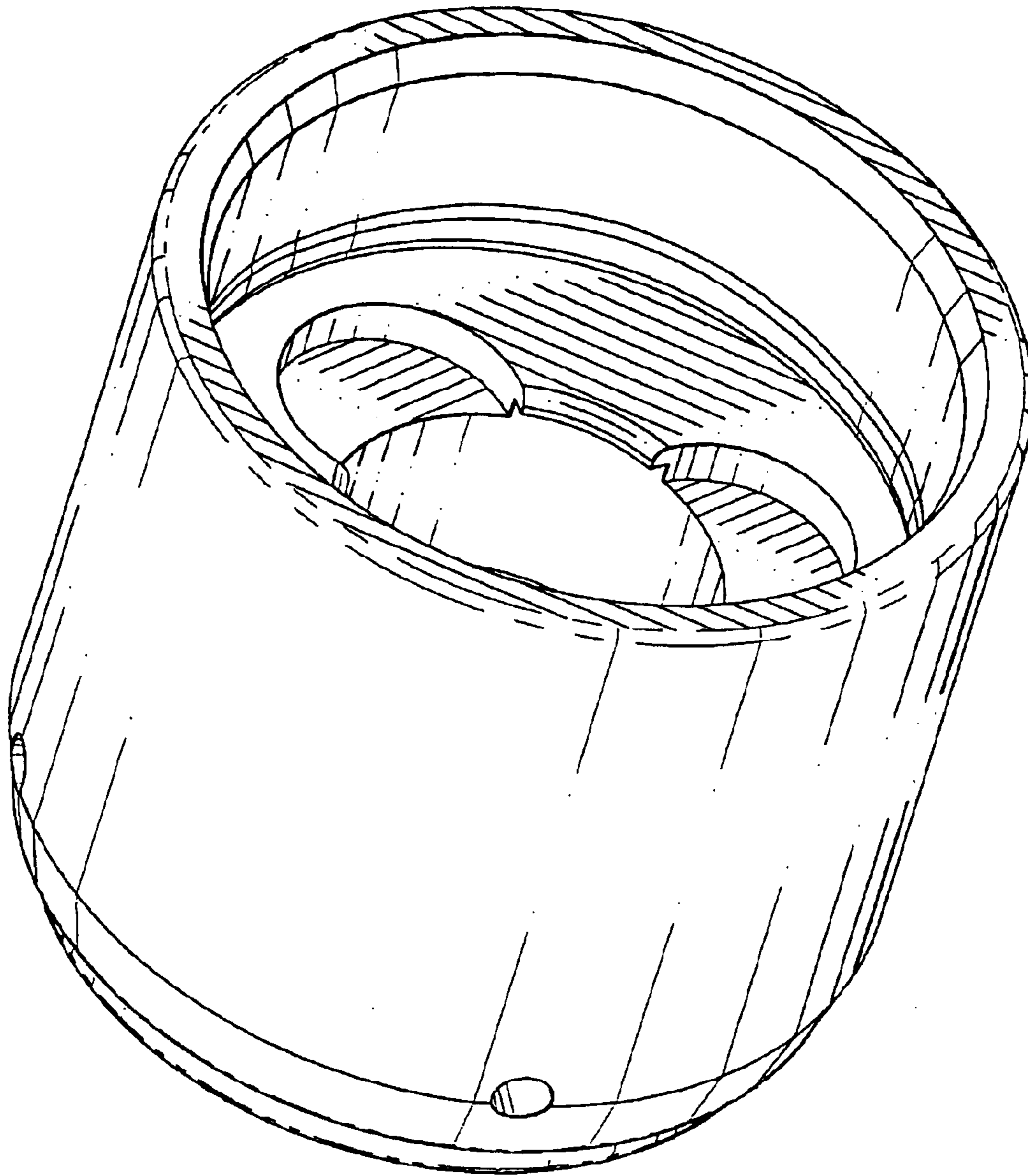


FIG. 3

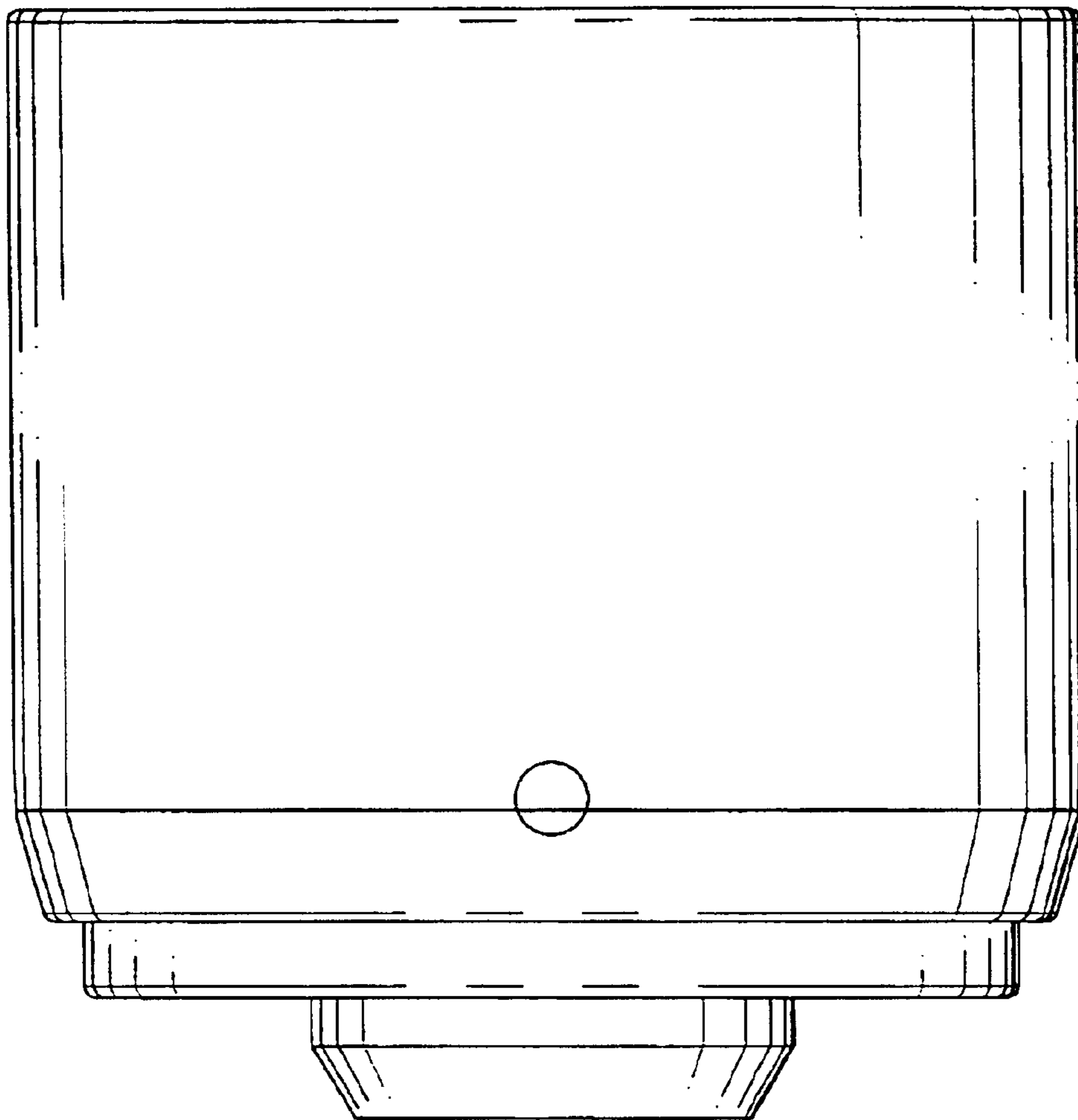


FIG. 4



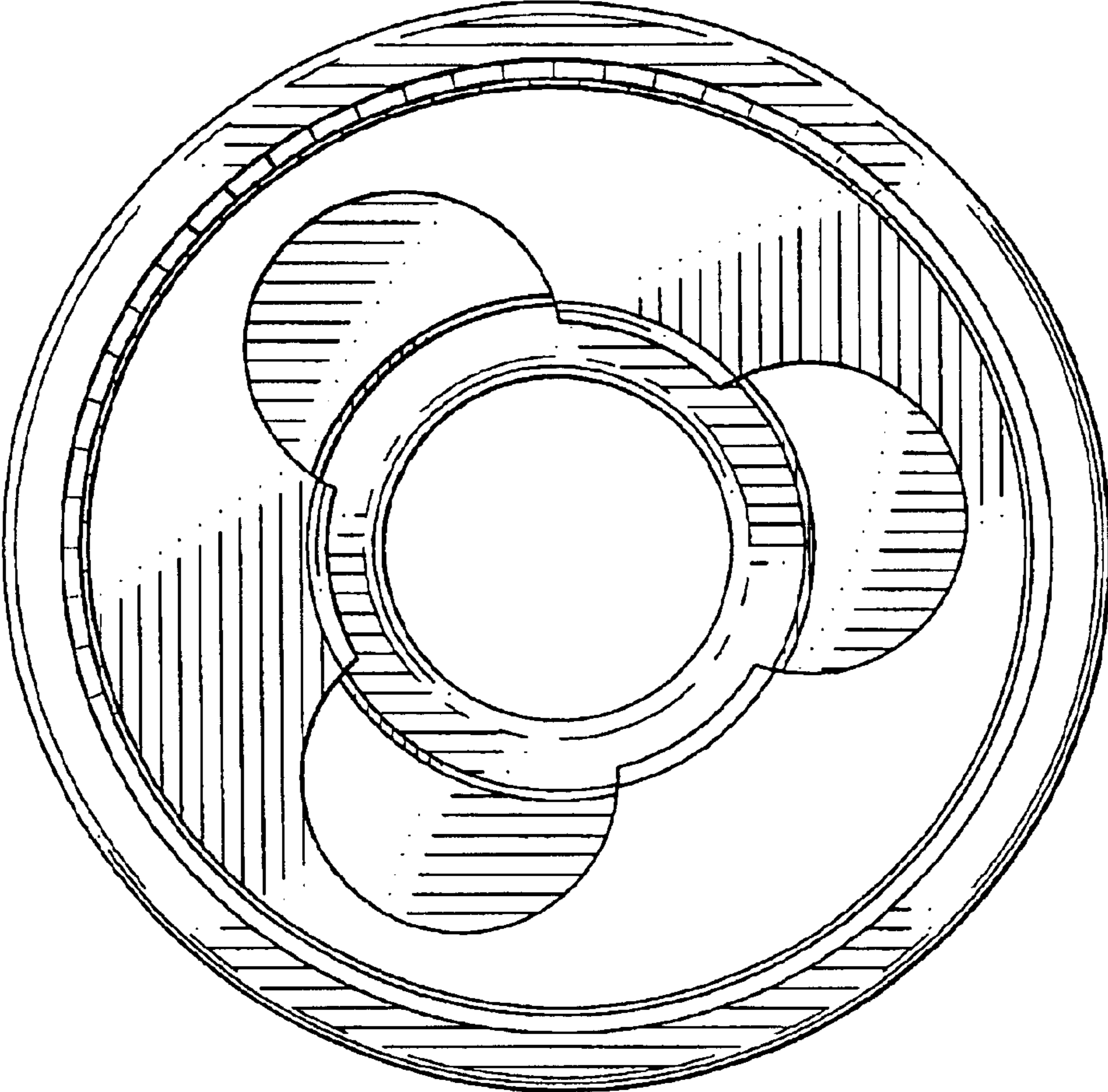


FIG. 5

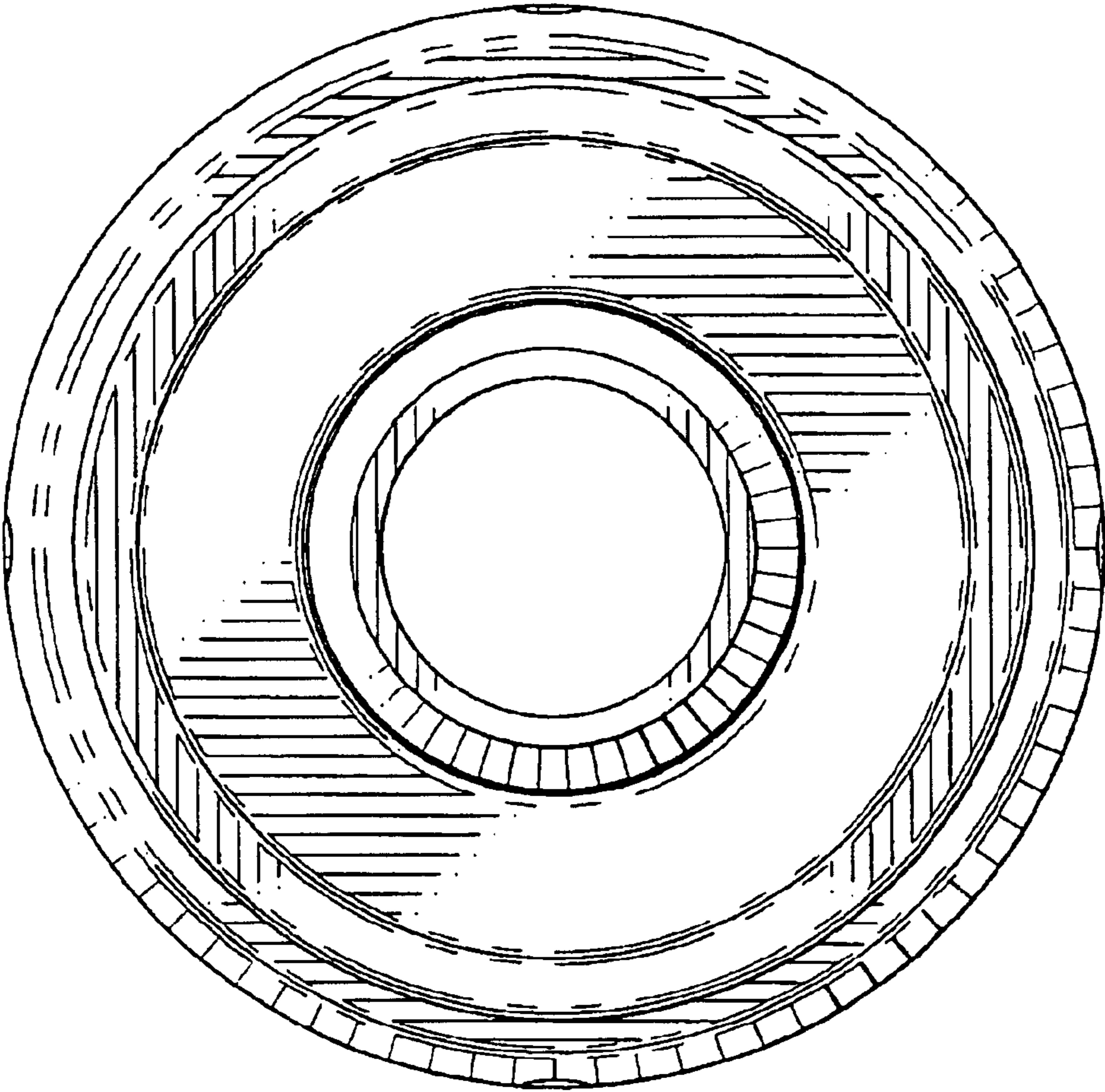


FIG. 6