

US00D496840S1

(12) **United States Design Patent** (10) **Patent No.:** **US D496,840 S**
Iacona (45) **Date of Patent:** **** Oct. 5, 2004**

(54) **ROTARY CUTTING HEAD**

(75) Inventor: **Fernando R. Iacona**, Scottsdale, AZ (US)

(73) Assignee: **Kwik Products, Inc.**, Phoenix, AZ (US)

(**) Term: **14 Years**

(21) Appl. No.: **29/201,736**

(22) Filed: **Mar. 19, 2004**

(51) **LOC (7) Cl.** **08-03**

(52) **U.S. Cl.** **D8/8**

(58) **Field of Search** D8/8; 30/276; 56/12.7, 295; D15/16-17

(56) **References Cited**

U.S. PATENT DOCUMENTS

- 4,065,913 A * 1/1978 Fisher et al. 56/295
- 4,571,831 A * 2/1986 White, III 30/276
- D299,484 S * 1/1989 Lee D8/8
- D302,779 S * 8/1989 Baba D8/8
- 6,415,585 B2 * 7/2002 Morabit et al. 56/12.7

FOREIGN PATENT DOCUMENTS

WO WO 9930552 A1 * 6/1999 A01D/34/63

* cited by examiner

Primary Examiner—Holly Baynham

(74) *Attorney, Agent, or Firm*—Anthony J. Casella; Gerald E. Hespos

(57) **CLAIM**

The ornamental design for a rotary cutting head, as shown and described.

DESCRIPTION

FIG. 1 is a perspective view of a rotary cutting head showing my new design;

FIG. 2 is a top plan view of the rotary cutting head of FIG. 1;

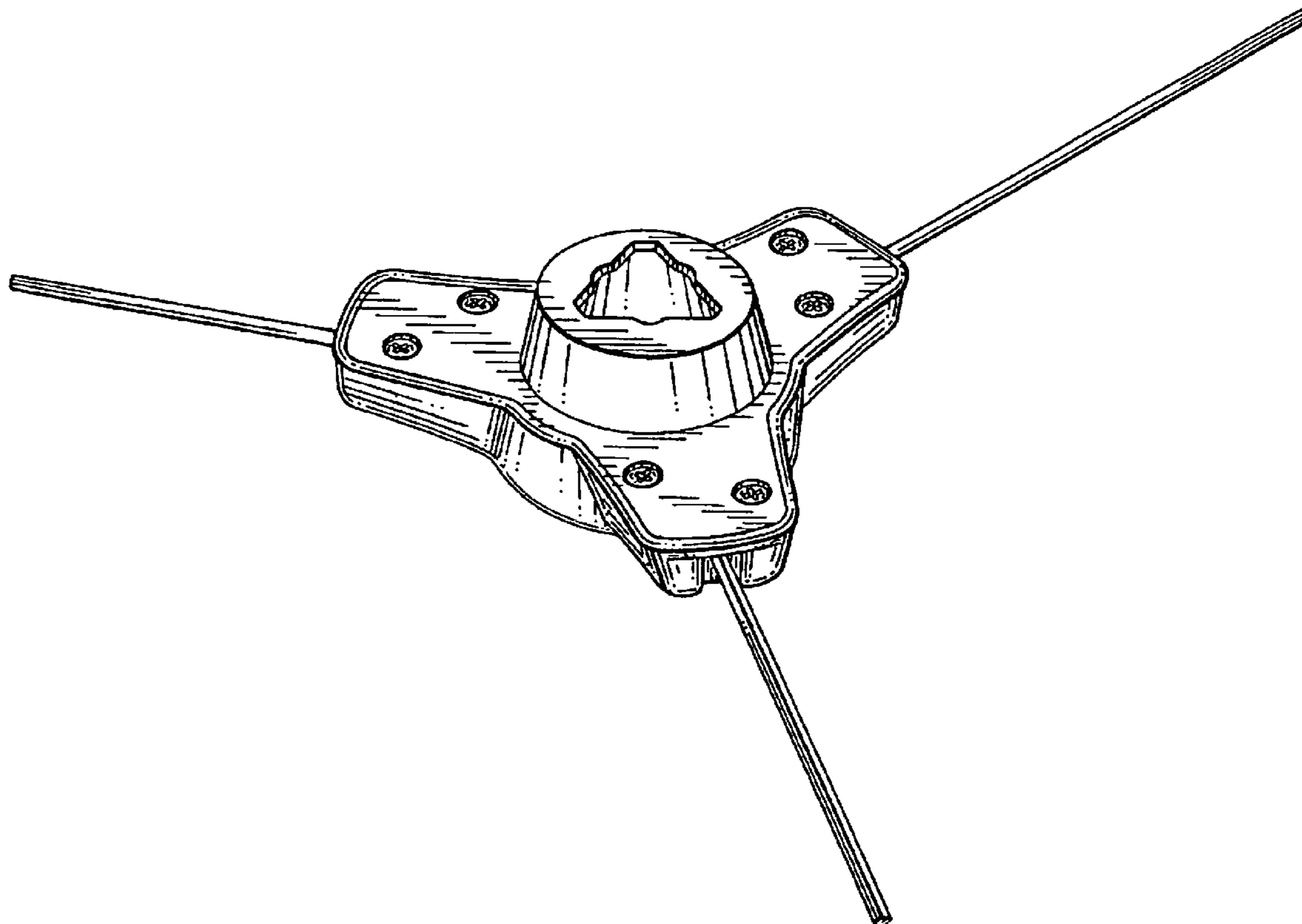
FIG. 3 is an end elevational view of the rotary cutting head of my new design;

FIG. 4 is a side elevational view of the rotary cutting head of FIG. 3, the opposite side being a mirror image of the side shown;

FIG. 5 is a rear elevational view of a rotary cutting head showing my new design; and,

FIG. 6 is a bottom plan view of a rotary cutting head showing my new design.

1 Claim, 4 Drawing Sheets



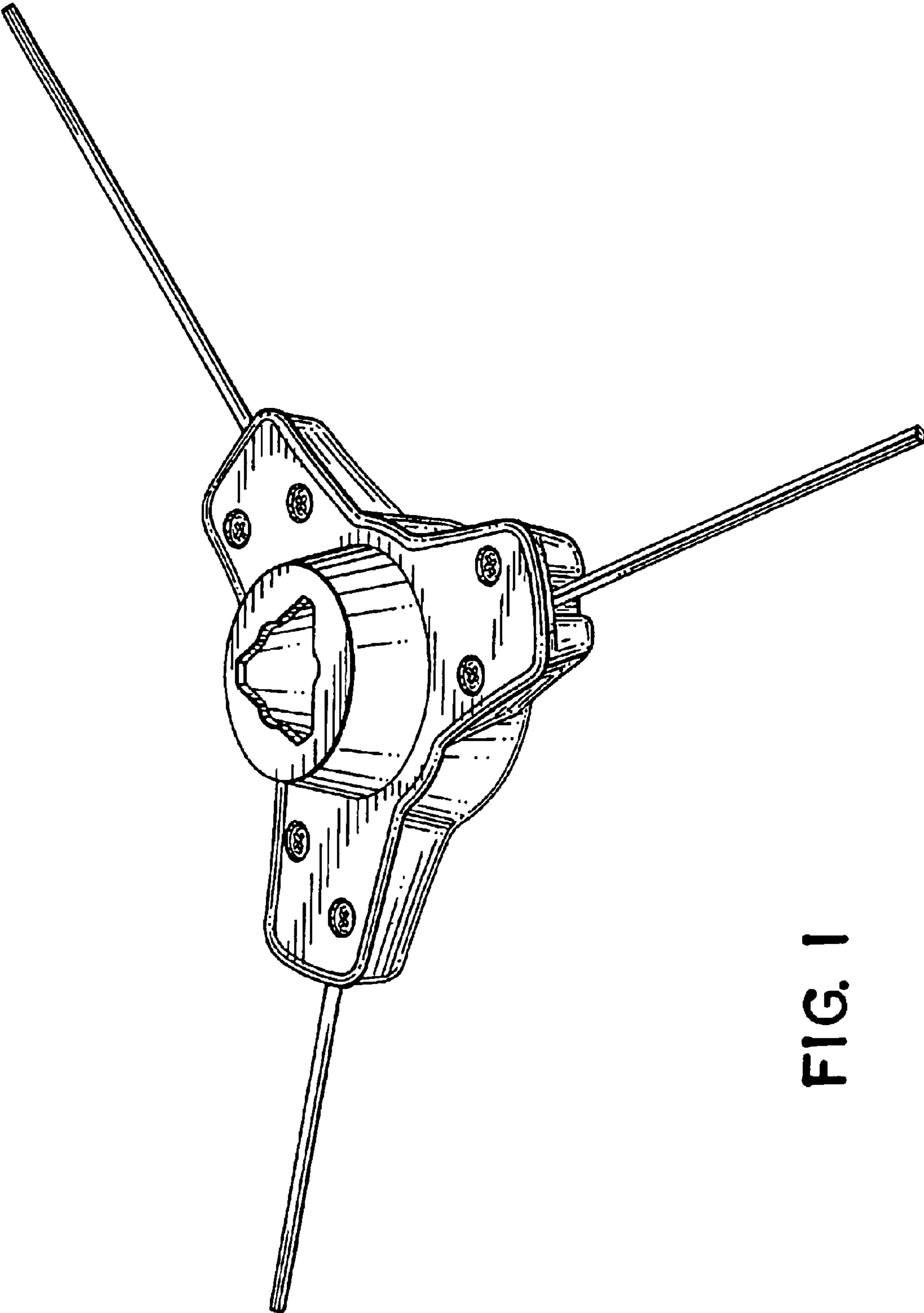


FIG. 1

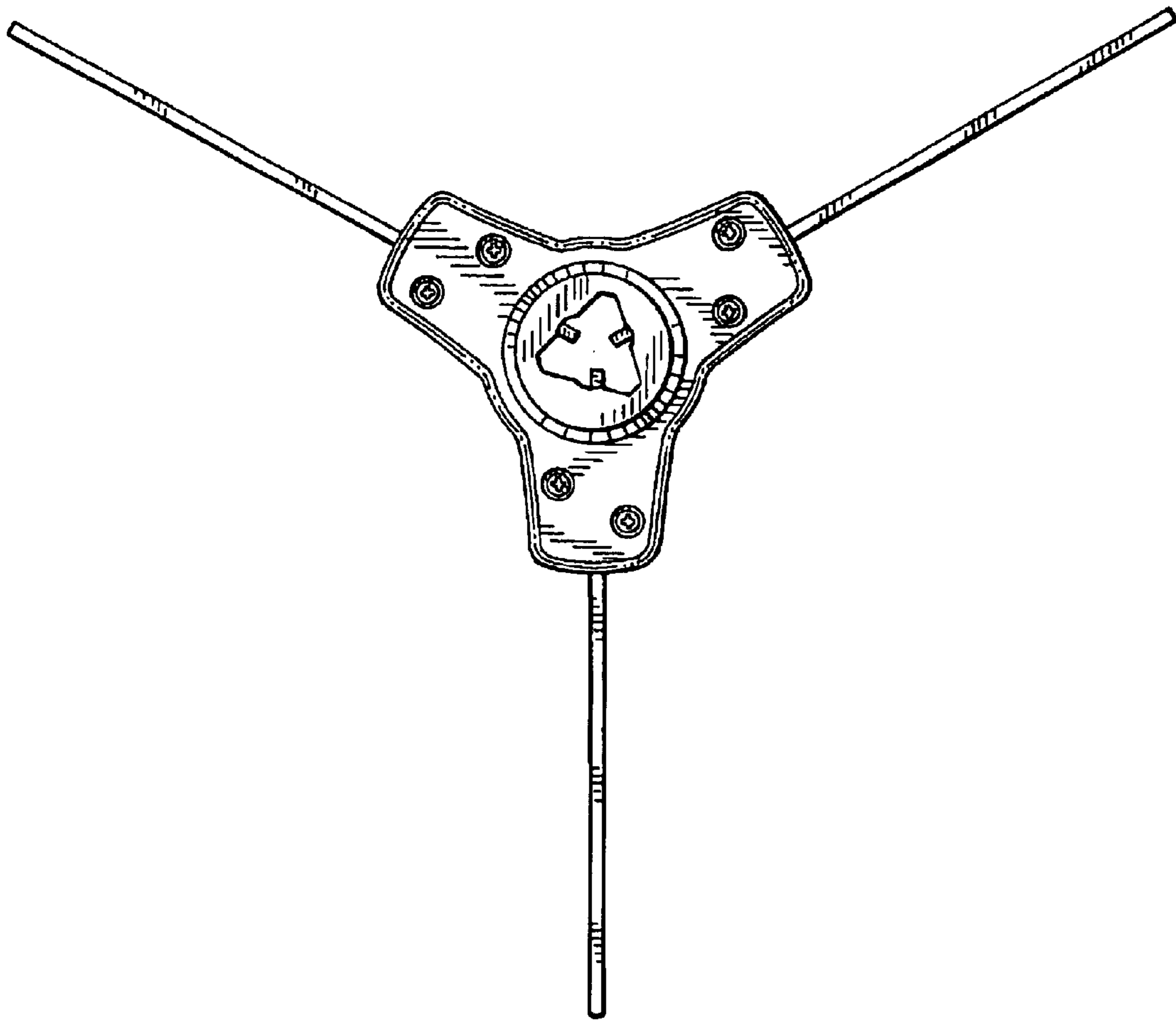


FIG. 2

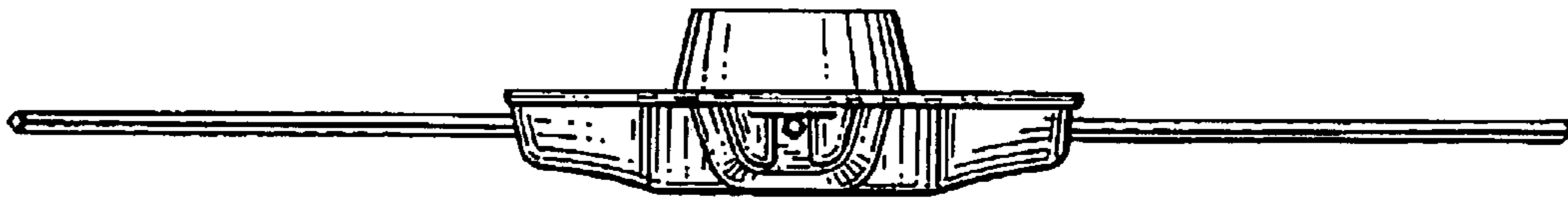


FIG. 3

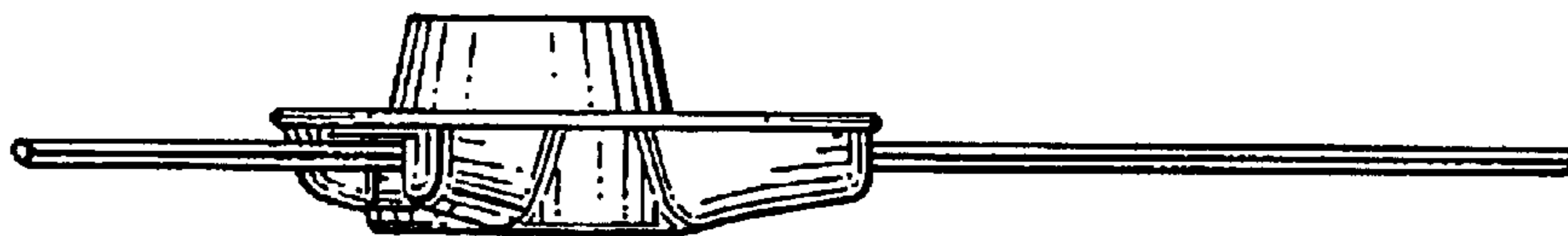


FIG. 4

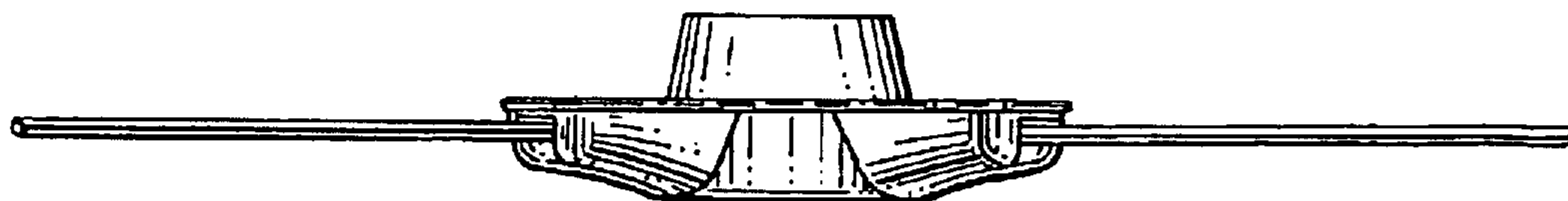


FIG. 5

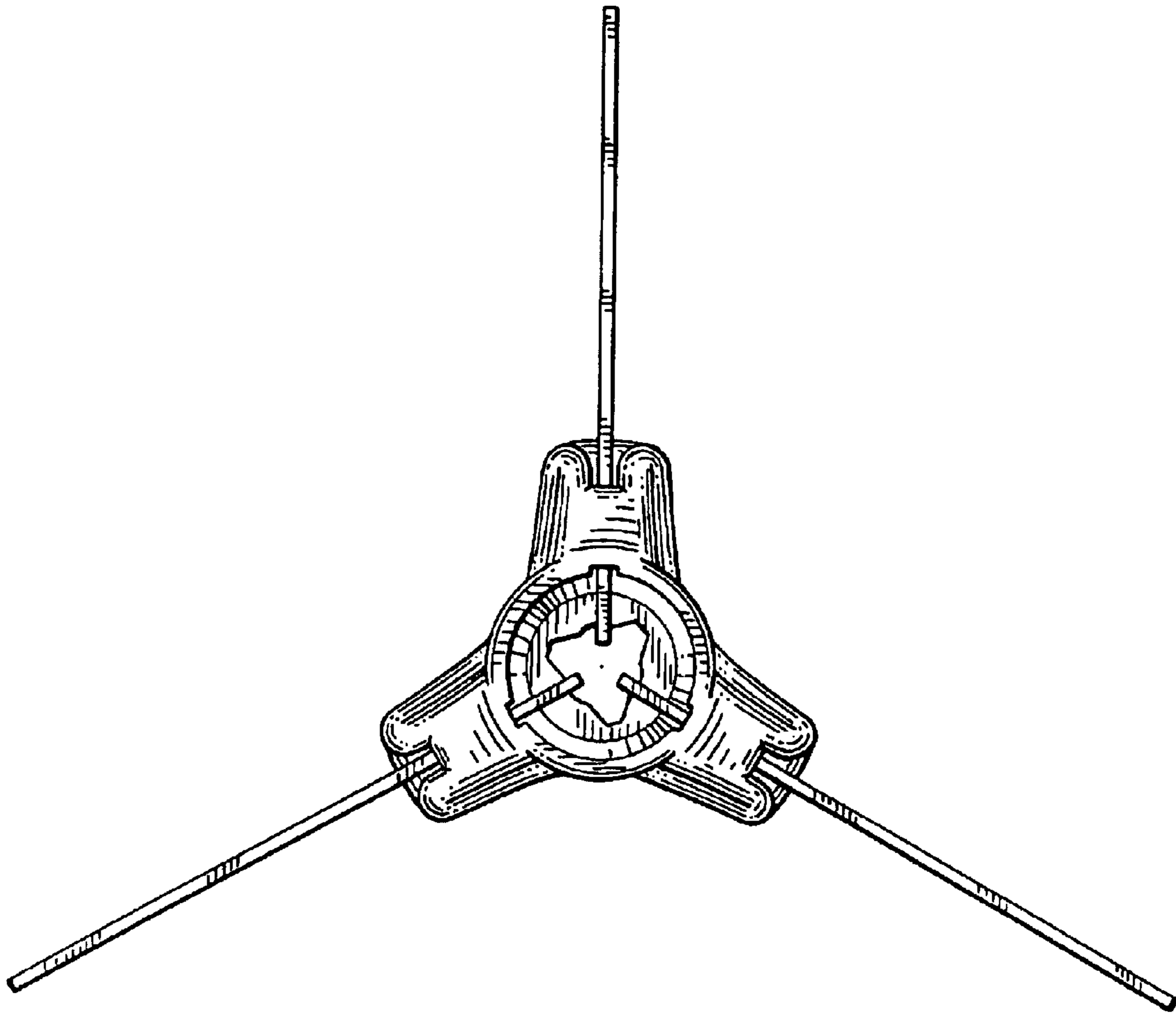


FIG. 6