

US00D496834S1

(12) **United States Design Patent** (10) **Patent No.:** **US D496,834 S**
Boerner (45) **Date of Patent:** **** Oct. 5, 2004**

(54) **KITCHEN SLICER SET**

(75) Inventor: **Juergen Boerner,**
Landscheid-Niederkail (DE)

(73) Assignee: **Boerner Kuntstoff -und**
Metallwarenfabrik GmbH (DE)

(**) Term: **14 Years**

(21) Appl. No.: **29/183,869**

(22) Filed: **Jun. 18, 2003**

(30) **Foreign Application Priority Data**

Dec. 23, 2002 (DE) 402 10 696

(51) **LOC (7) Cl.** **07-04**

(52) **U.S. Cl.** **D7/673; D7/381**

(58) **Field of Search** **D7/672, 673, 678,**
D7/693, 695, 381; 30/279.6; 83/669, 856,
857; 241/95, 100, 168, 169, 257.1, 273.1-273.4,
274, 285.2

(56) **References Cited**

U.S. PATENT DOCUMENTS

3,495,639 A *	2/1970	Vallentin	241/95
D326,388 S *	5/1992	Boerner	D7/673
D379,745 S *	6/1997	So	D7/673
D400,767 S *	11/1998	de Saint-Genois	D7/673
D406,018 S *	2/1999	Zirbes	D7/673
D442,033 S *	5/2001	de Saint-Genois	D7/673

* cited by examiner

Primary Examiner—Terry A. Wallace

(74) *Attorney, Agent, or Firm*—William A. Drucker

(57) **CLAIM**

The ornamental design for a kitchen slicer set, as shown and described.

DESCRIPTION

FIG. 1 is a top perspective view of the kitchen slicer showing my new design;

FIG. 2 is a side view thereof;
 FIG. 3 is a opposite side view thereof;
 FIG. 4 is a bottom plan view thereof;
 FIG. 5 is a top plan view thereof;
 FIG. 6 is an end view thereof;
 FIG. 7 is an opposite end view thereof;
 FIG. 8 is a top perspective view of an alternate embodiment of FIG. 1;
 FIG. 9 is a top plan view of FIG. 8;
 FIG. 10 is a bottom plan view of FIG. 8;
 FIG. 11 is an end view of FIG. 8;
 FIG. 12 is an opposite end view of FIG. 8;
 FIG. 13 is a front perspective view of the slice portion shown separately for clarity of illustration;
 FIG. 14 is a bottom perspective view of FIG. 13;
 FIG. 15 is a top plan view of FIG. 13;
 FIG. 16 is a bottom plan view of FIG. 13;
 FIG. 17 is a side view of FIG. 13;
 FIG. 18 is an opposite side view of FIG. 13 ;
 FIG. 19 is an end view of FIG. 13;
 FIG. 20 is an opposite end view of FIG. 13;
 FIG. 21 is a rear perspective view of the cutter portion shown separately for clarity of illustration;
 FIG. 22 is a top plan view of FIG. 21;
 FIG. 23 is a bottom plan view of FIG. 21;
 FIG. 24 is a side view of FIG. 21;
 FIG. 25 is an opposite side view of FIG. 21;
 FIG. 26 is an end view of FIG. 21;
 FIG. 27 is an opposite end view of FIG. 21;
 FIG. 28 is a top perspective view of an alternate cutter portion shown separately for clarity of illustration;
 FIG. 29 is a bottom perspective view of FIG. 28;
 FIG. 30 is a top plan view of FIG. 28;
 FIG. 31 is a bottom plan view of FIG. 28;
 FIG. 32 is a side view of FIG. 28;
 FIG. 33 is an end view of FIG. 28; and,
 FIG. 34 is an opposite end view of FIG. 28.

1 Claim, 23 Drawing Sheets

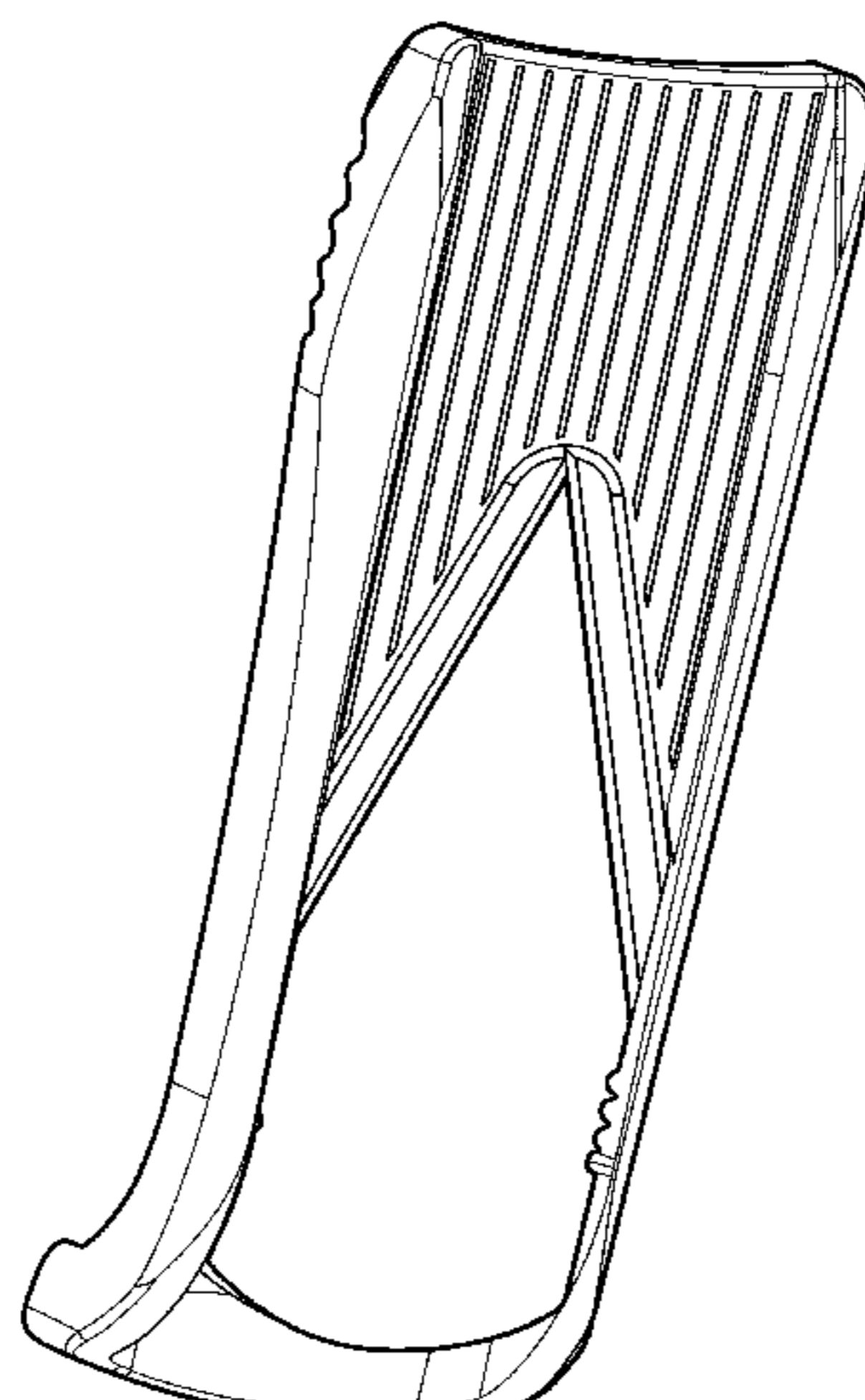
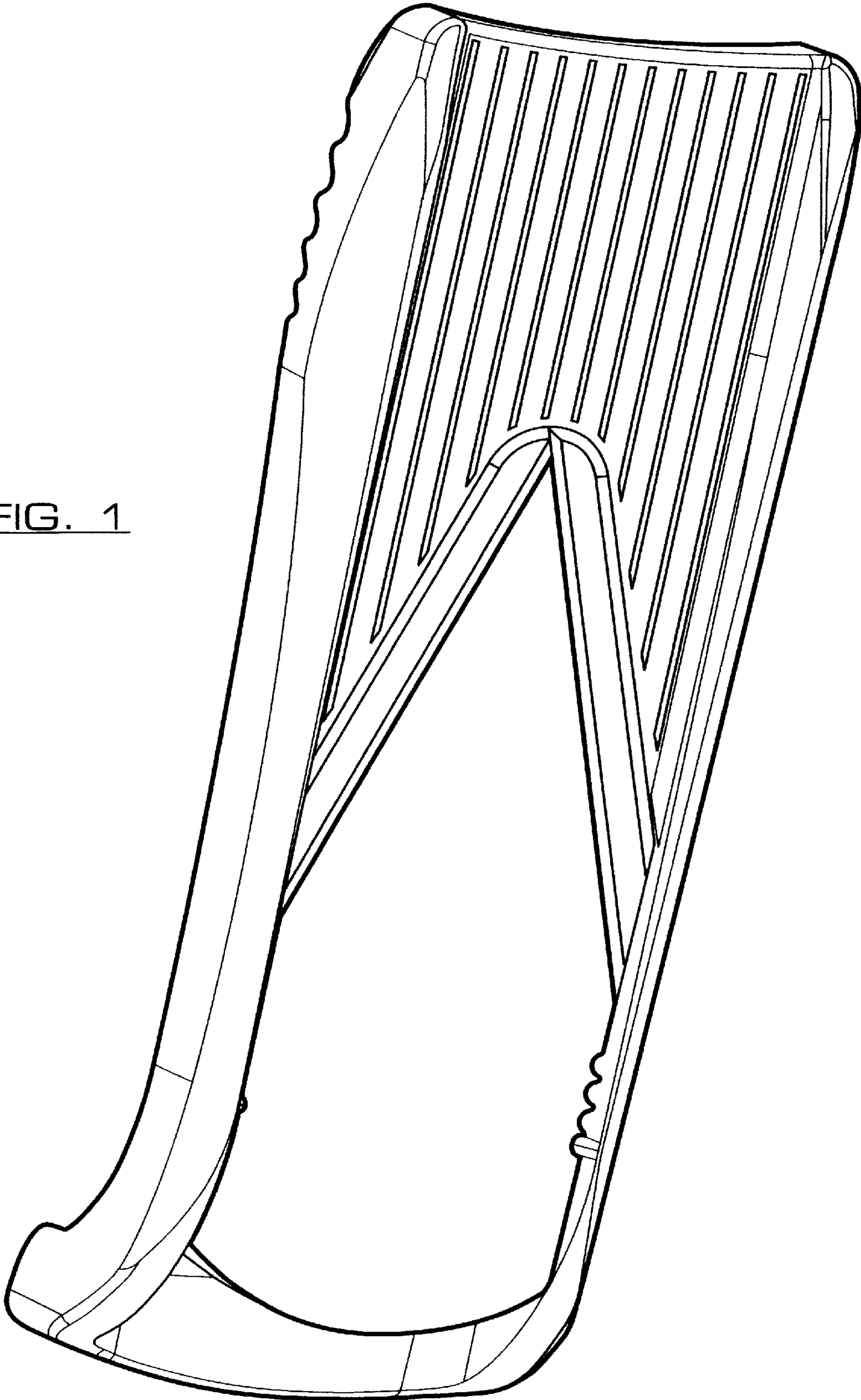


FIG. 1



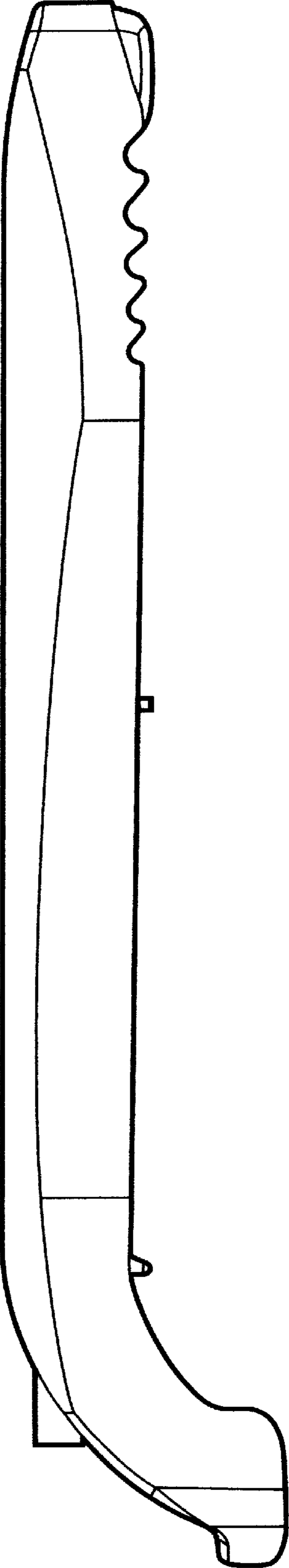


FIG. 2

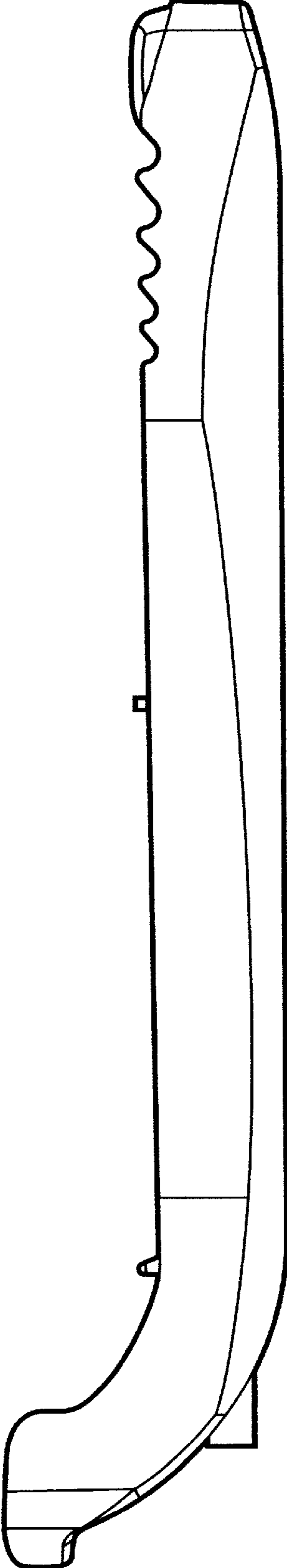


FIG. 3

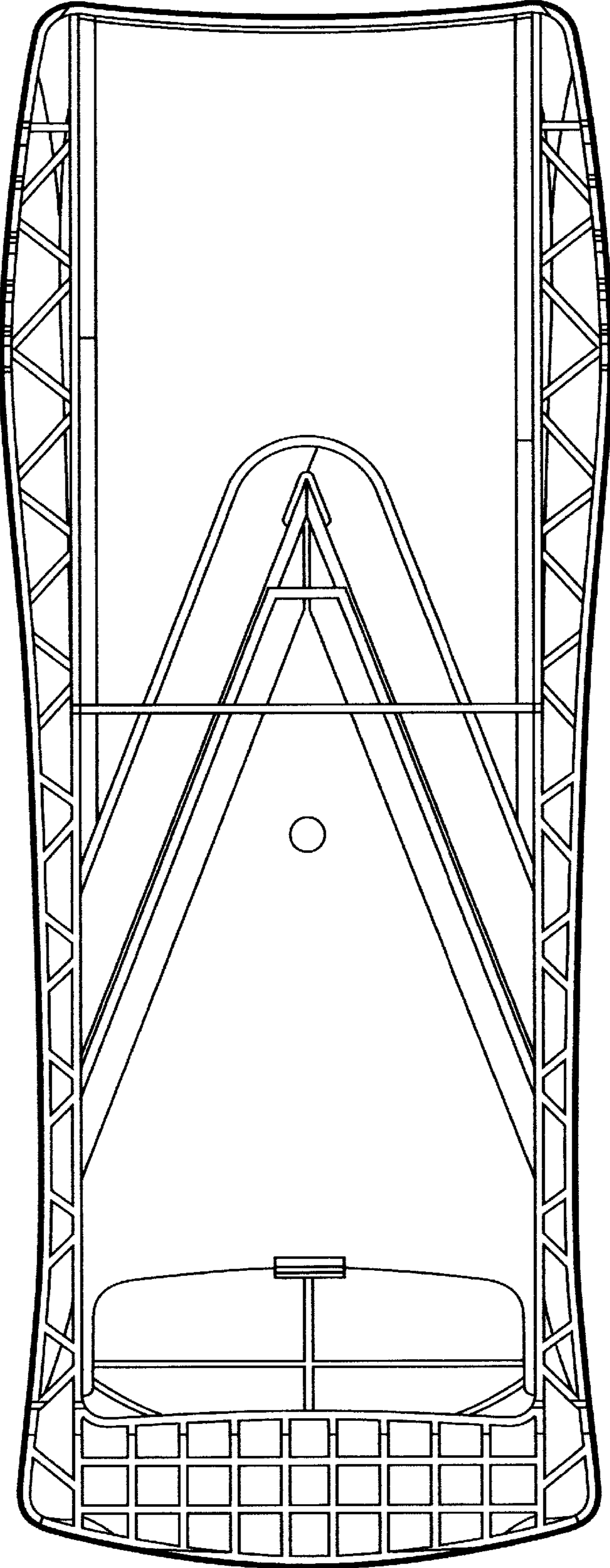


FIG. 4

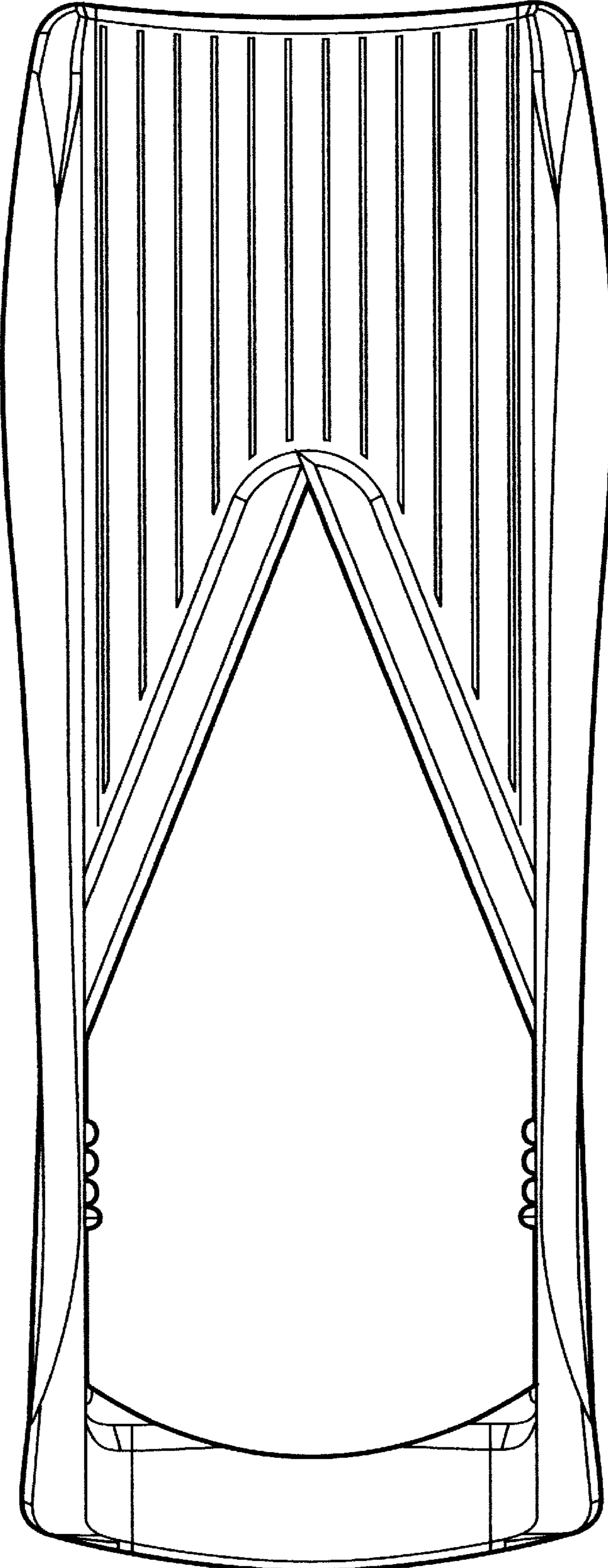


FIG. 5

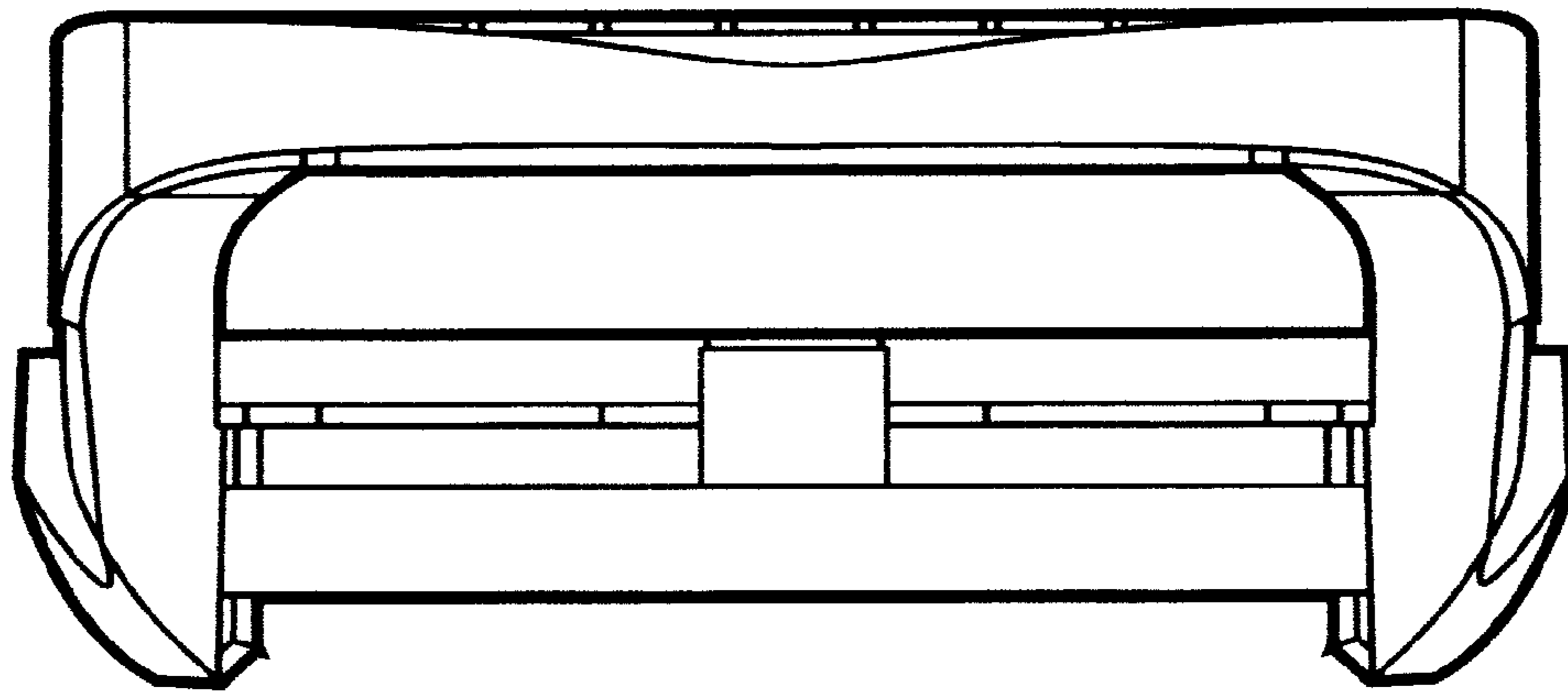


FIG. 6

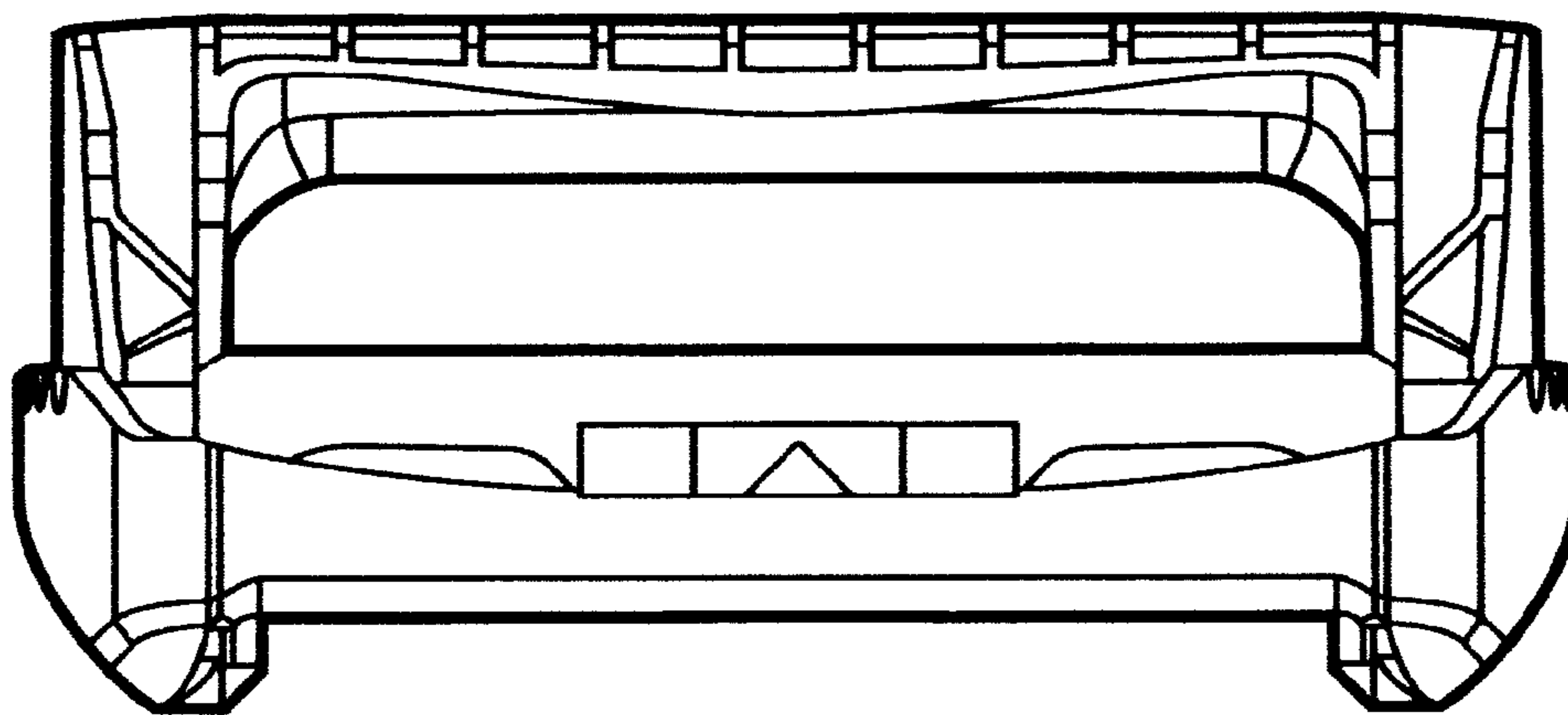


FIG. 7

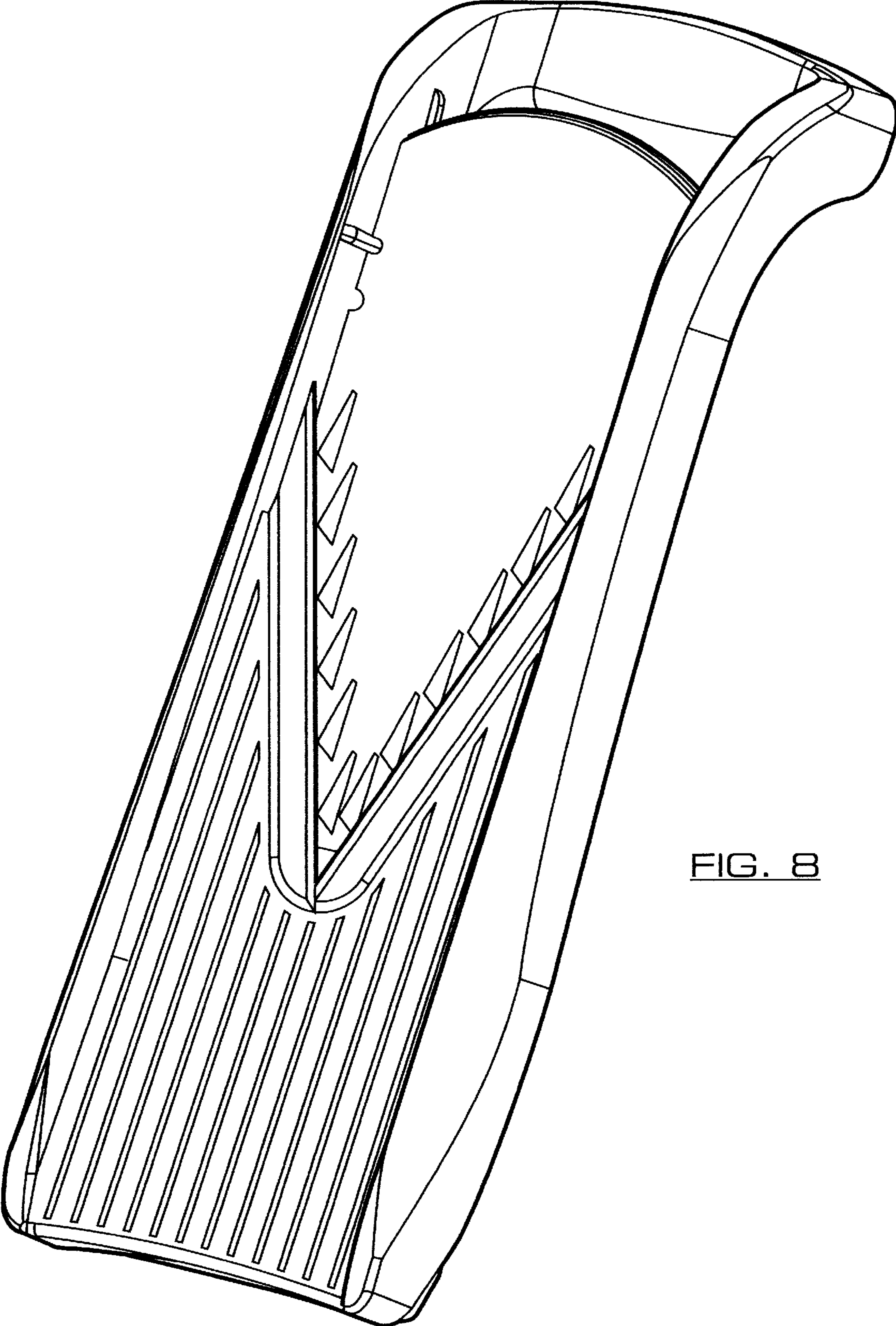


FIG. 8

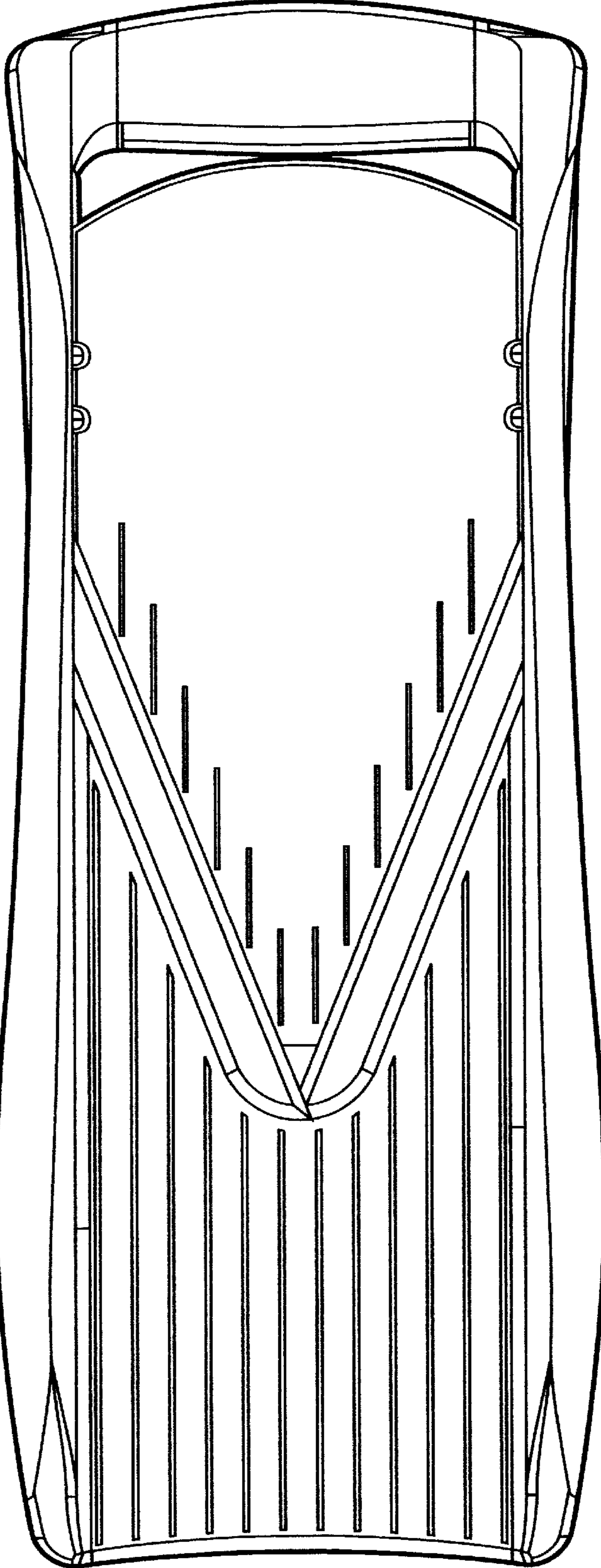


FIG. 9

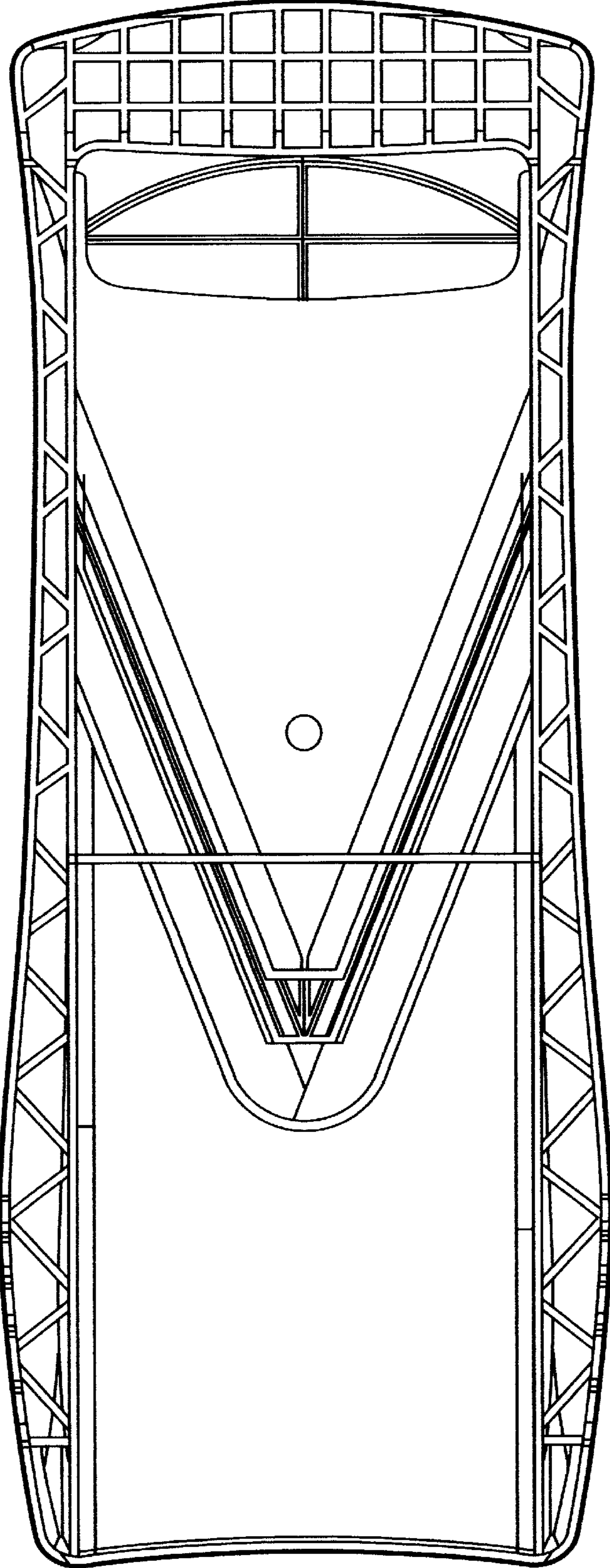


FIG. 10

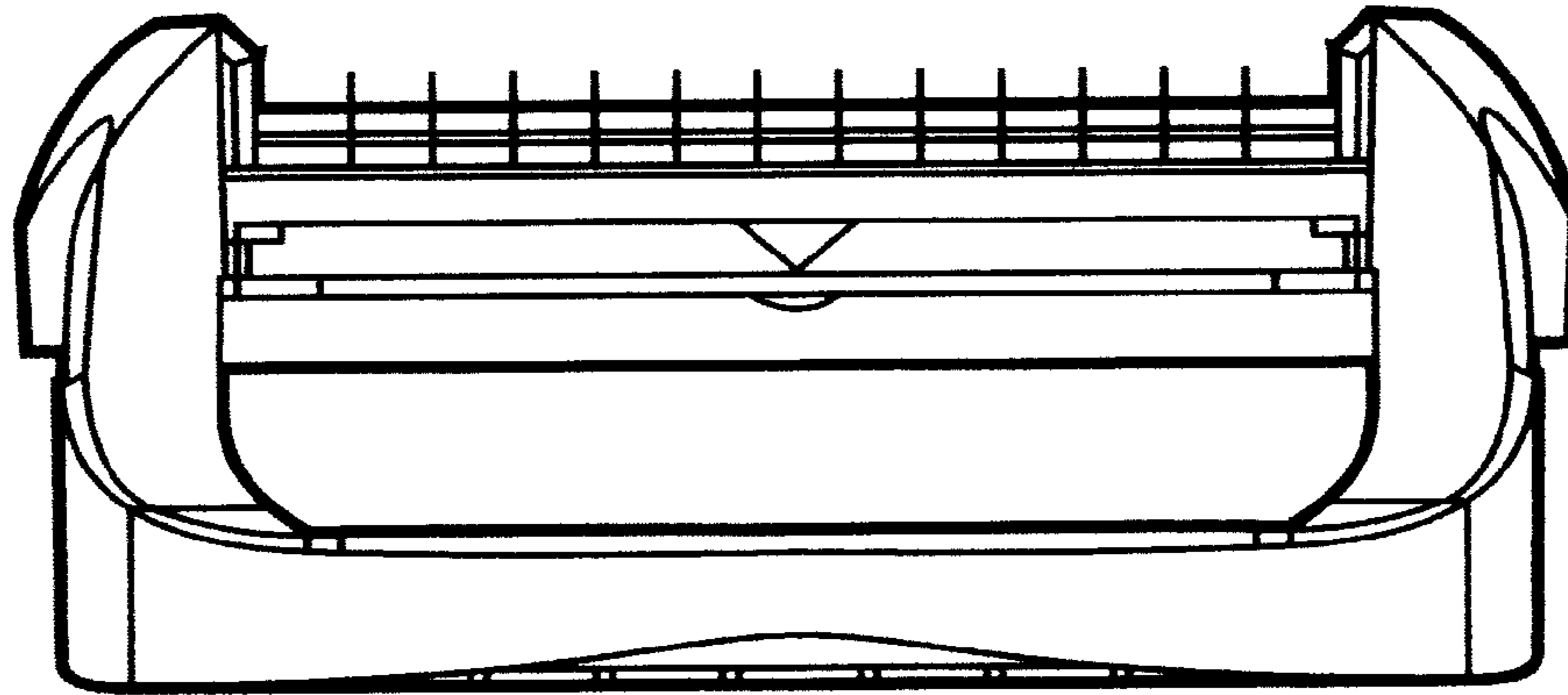


FIG. 11

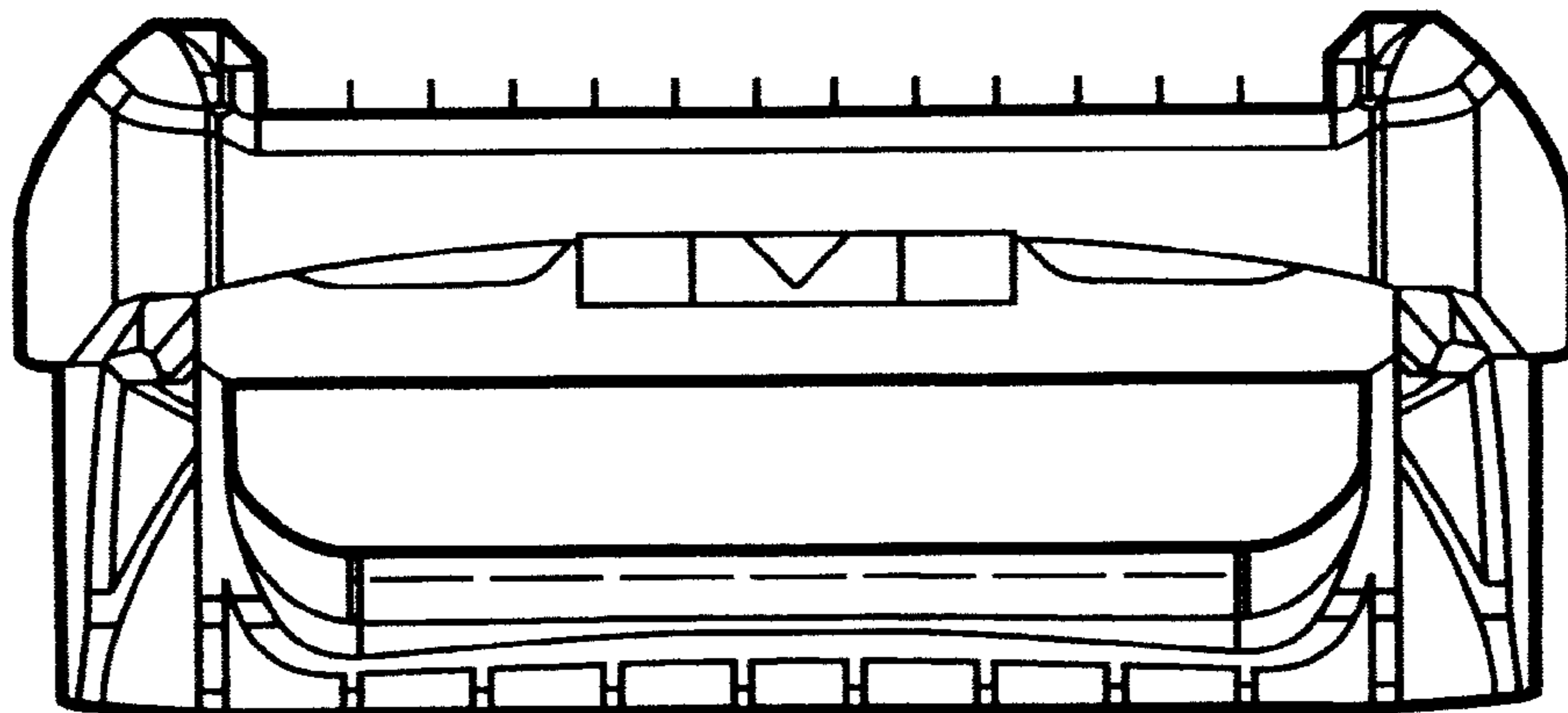


FIG. 12

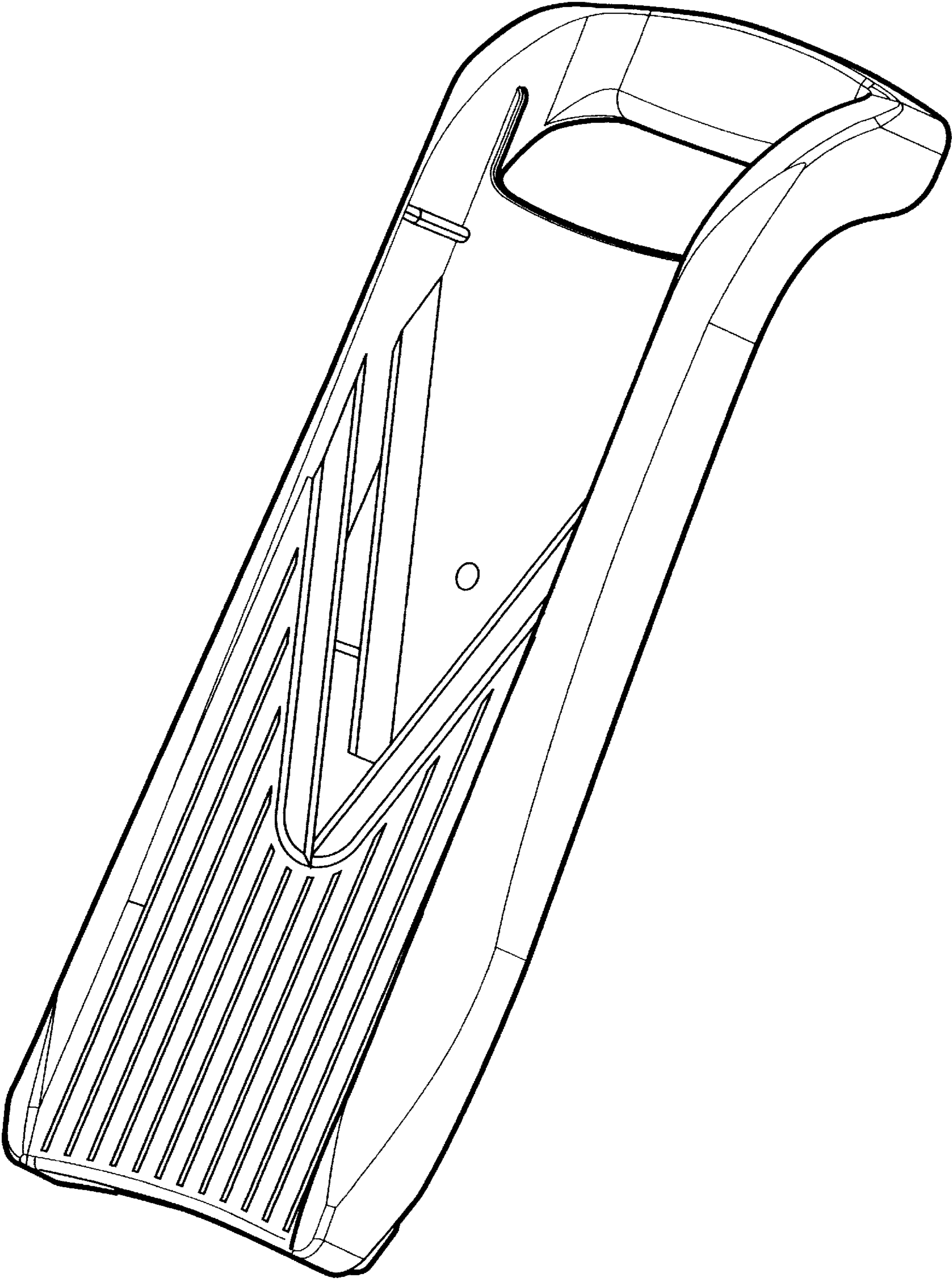


FIG. 13

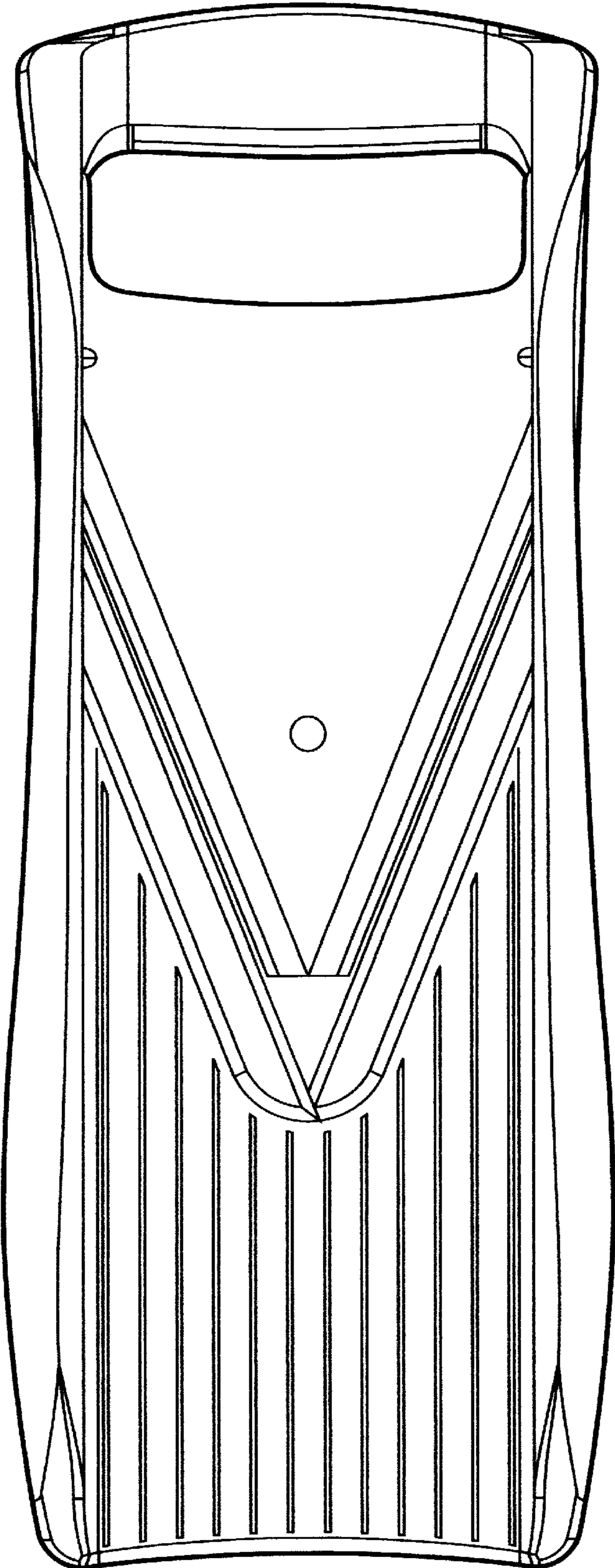


FIG. 14

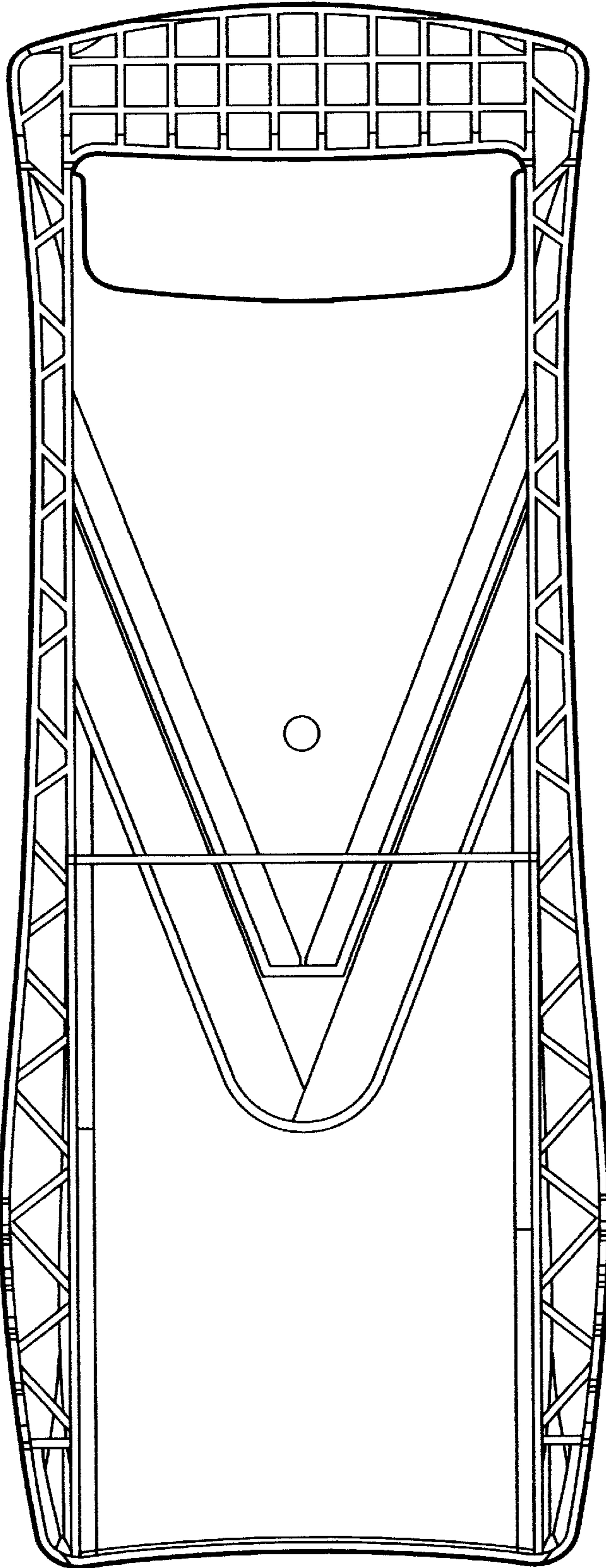


FIG. 15

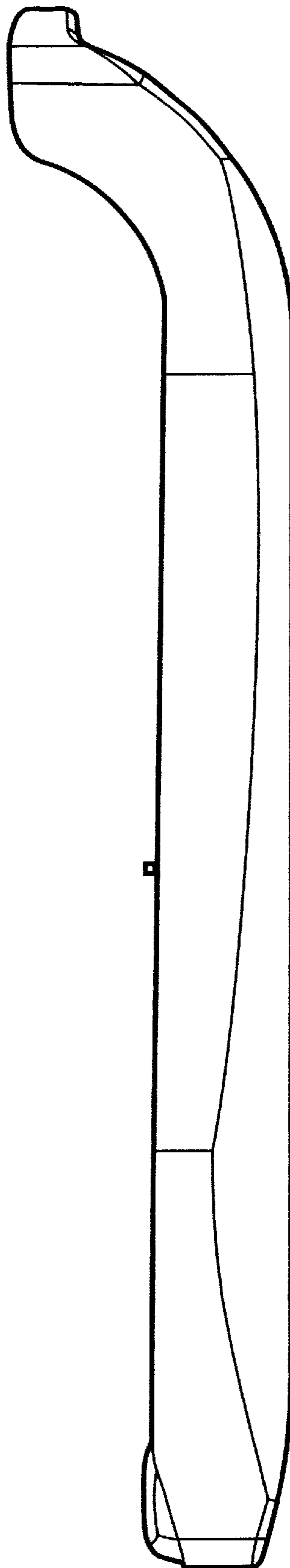


FIG. 16

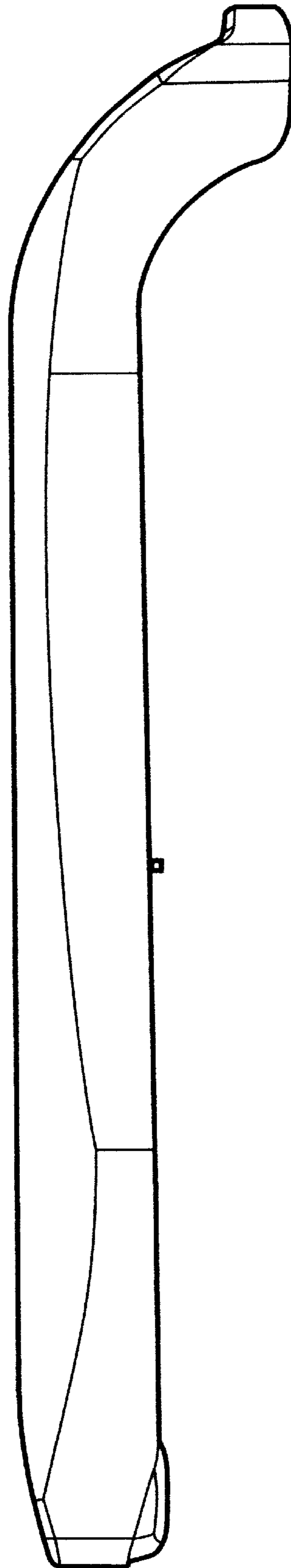


FIG. 17

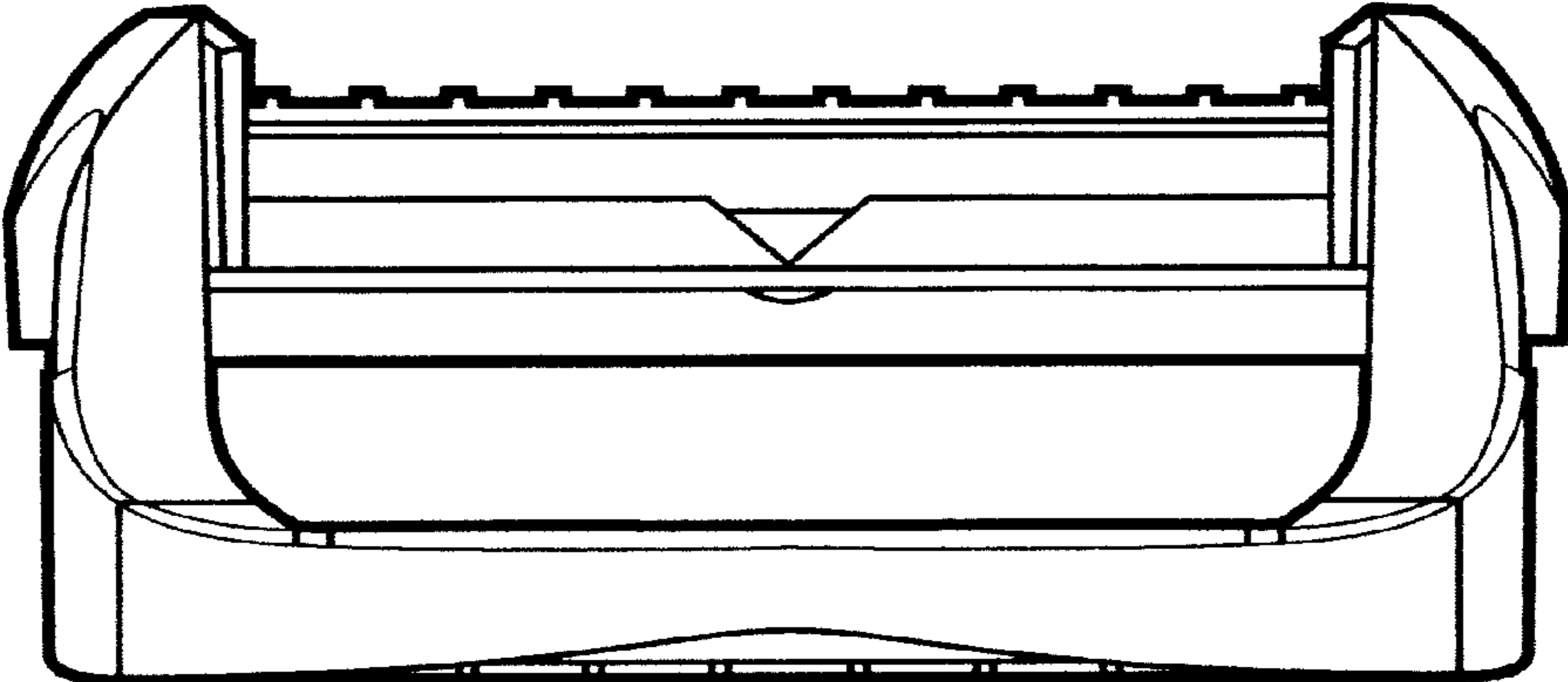


FIG. 18

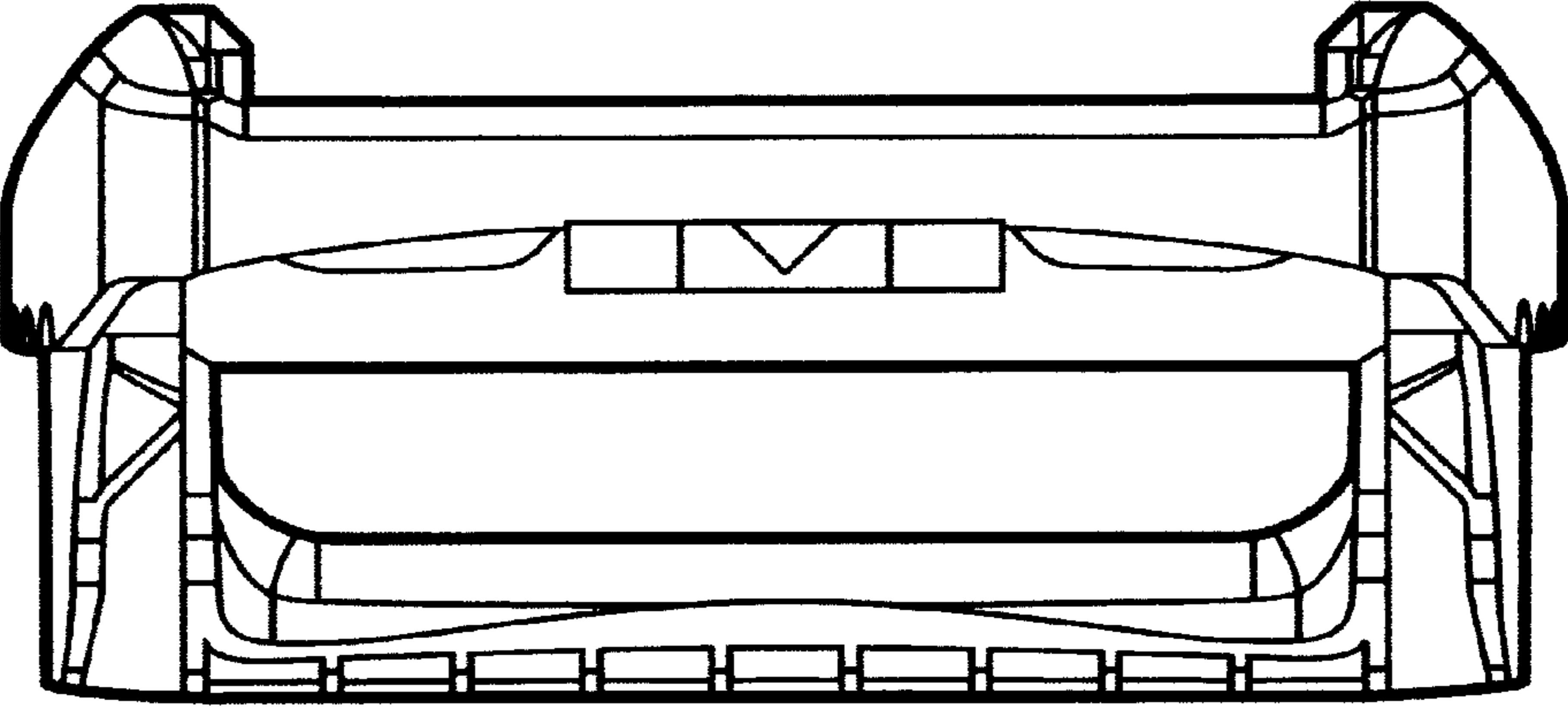


FIG. 19

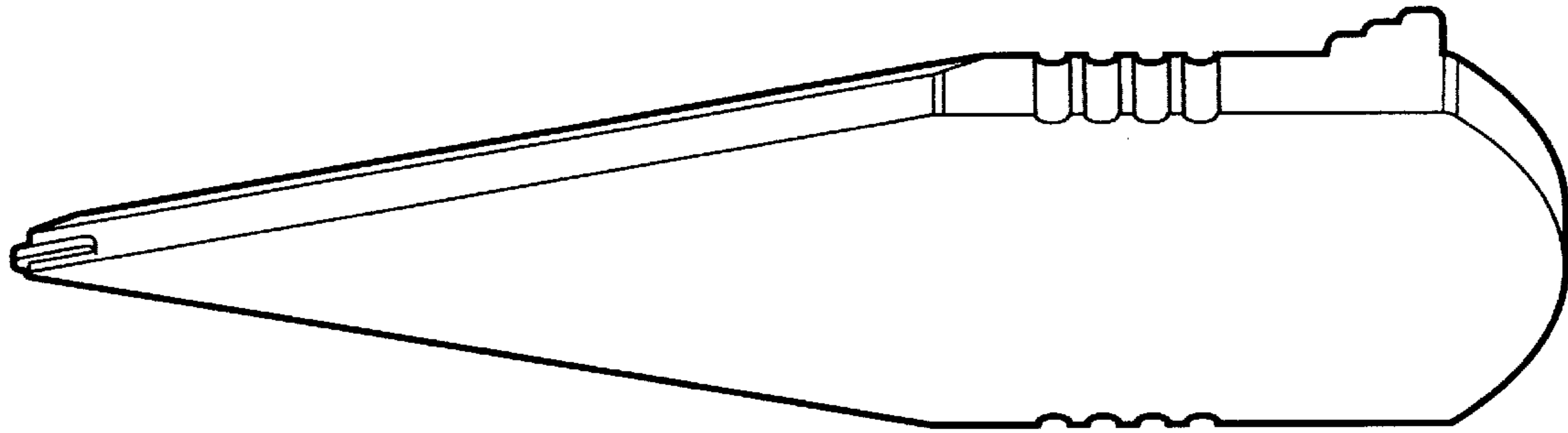


FIG. 20

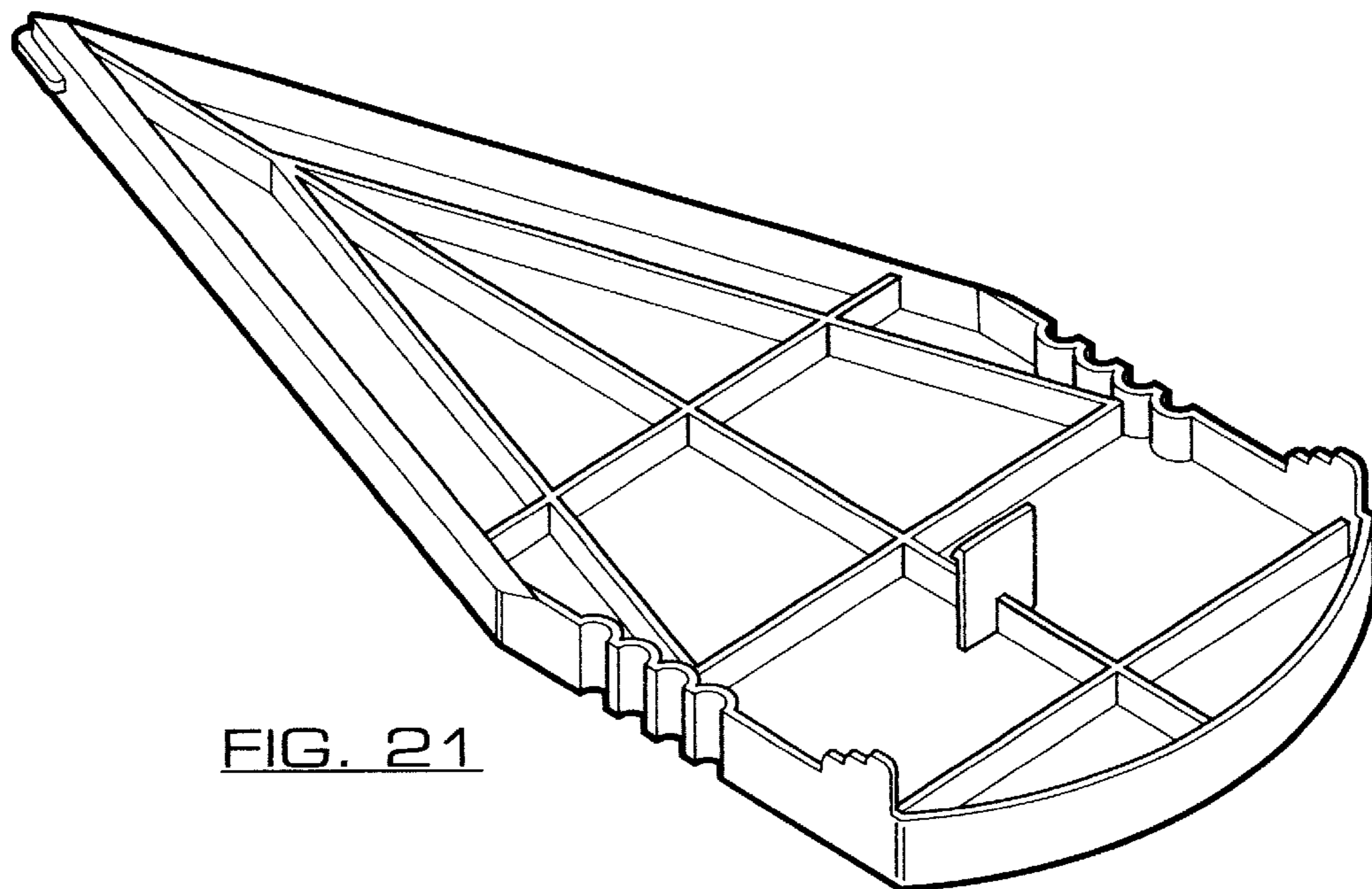


FIG. 21

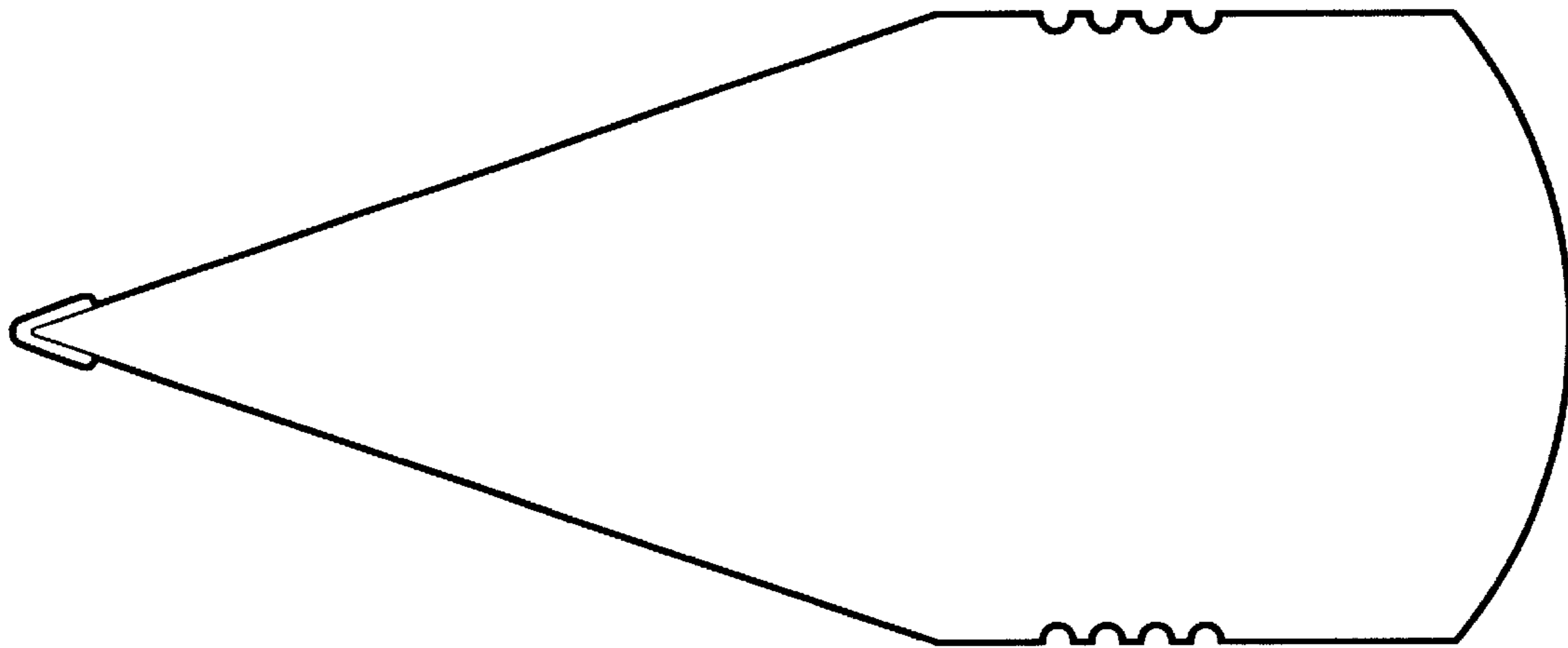


FIG. 22

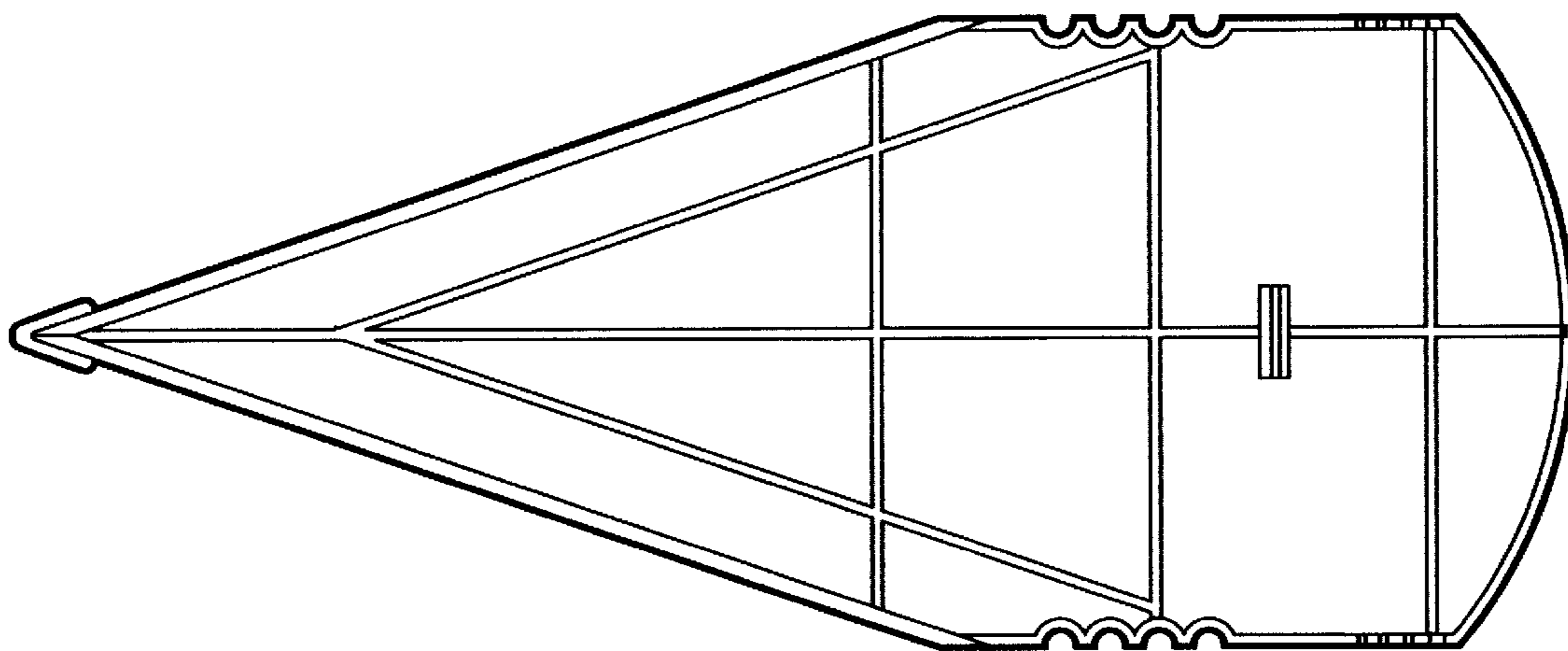


FIG. 23

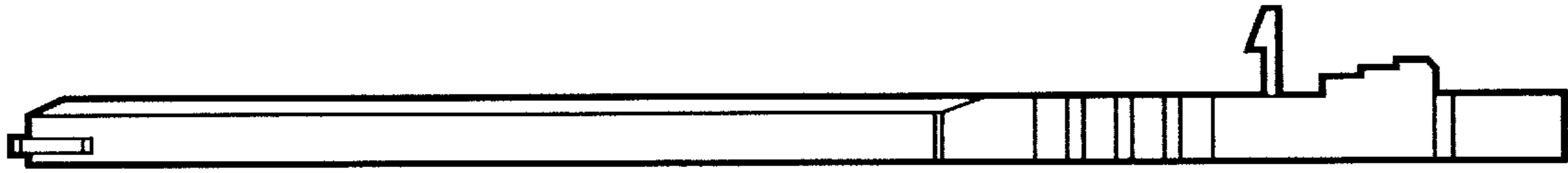


FIG. 24

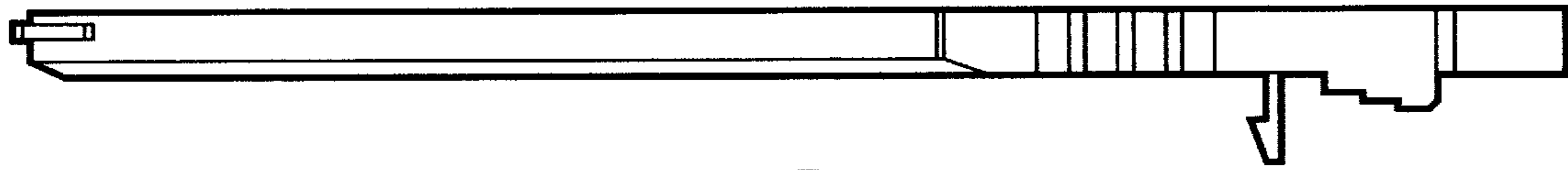


FIG. 25

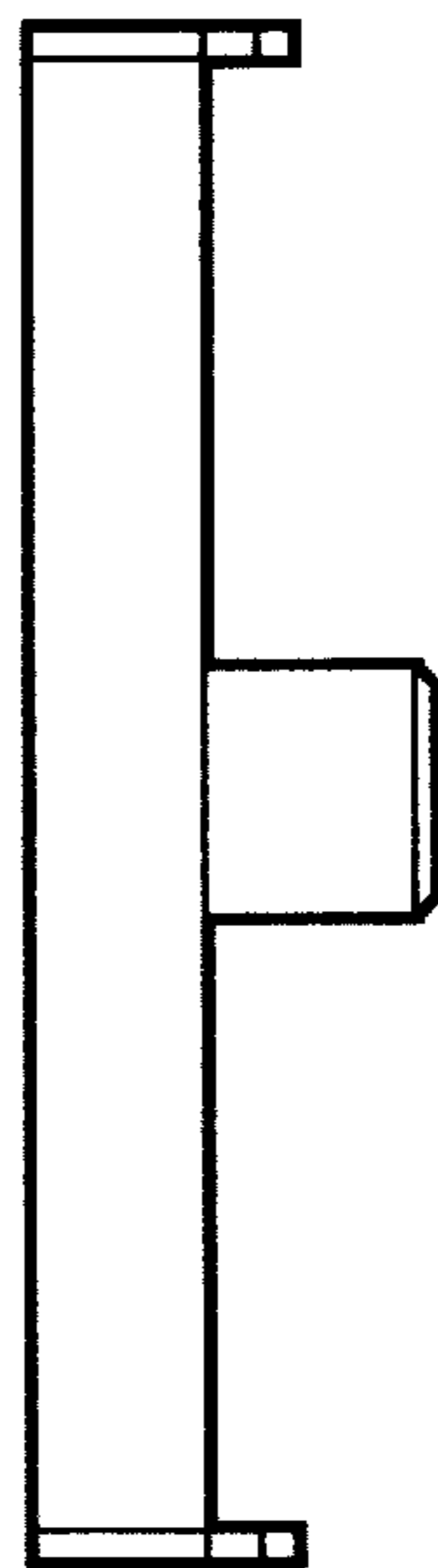


FIG. 26

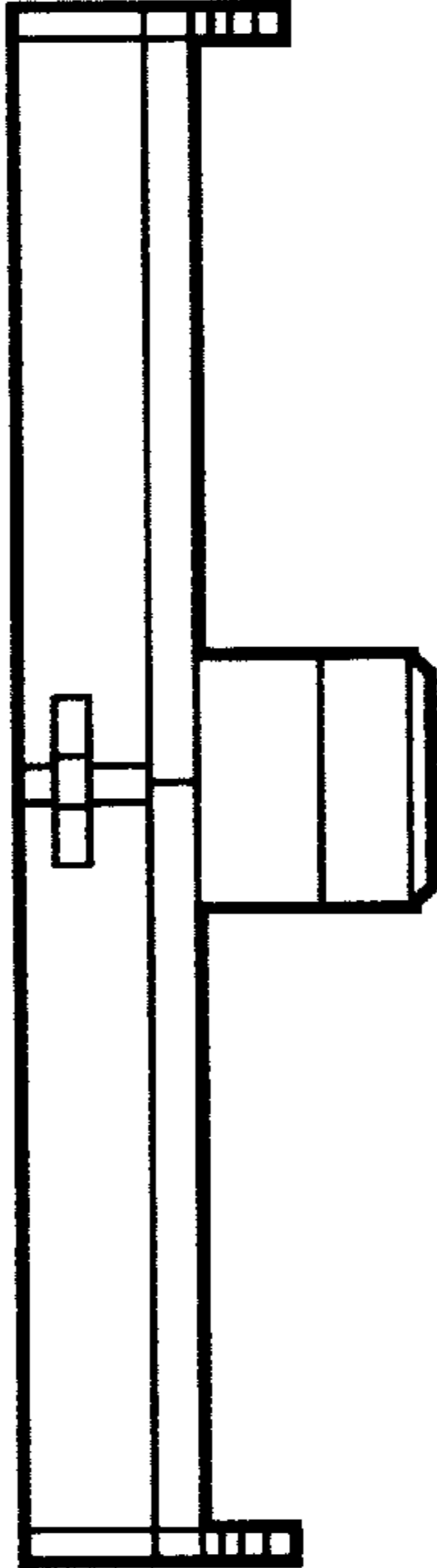


FIG. 27

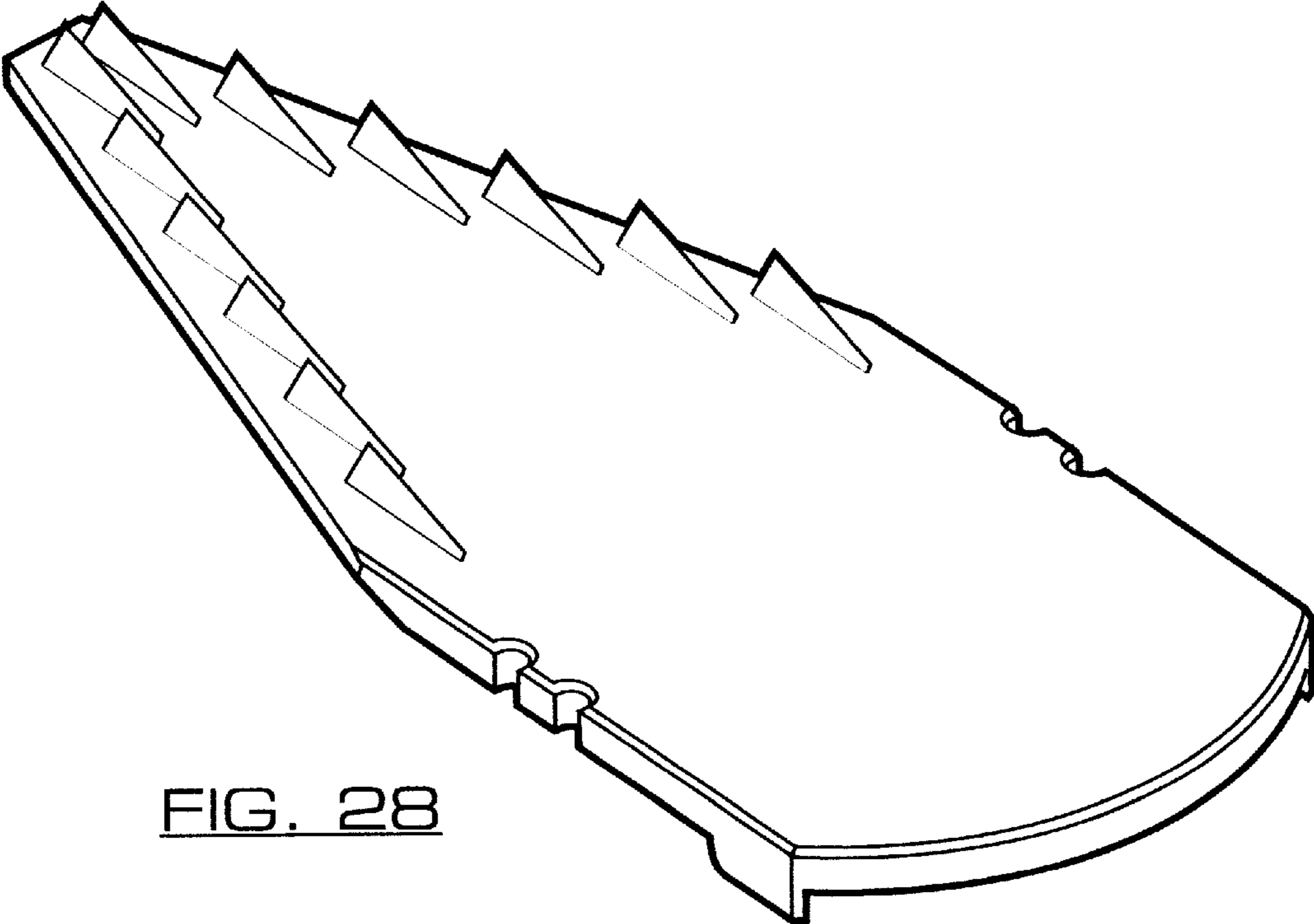


FIG. 28

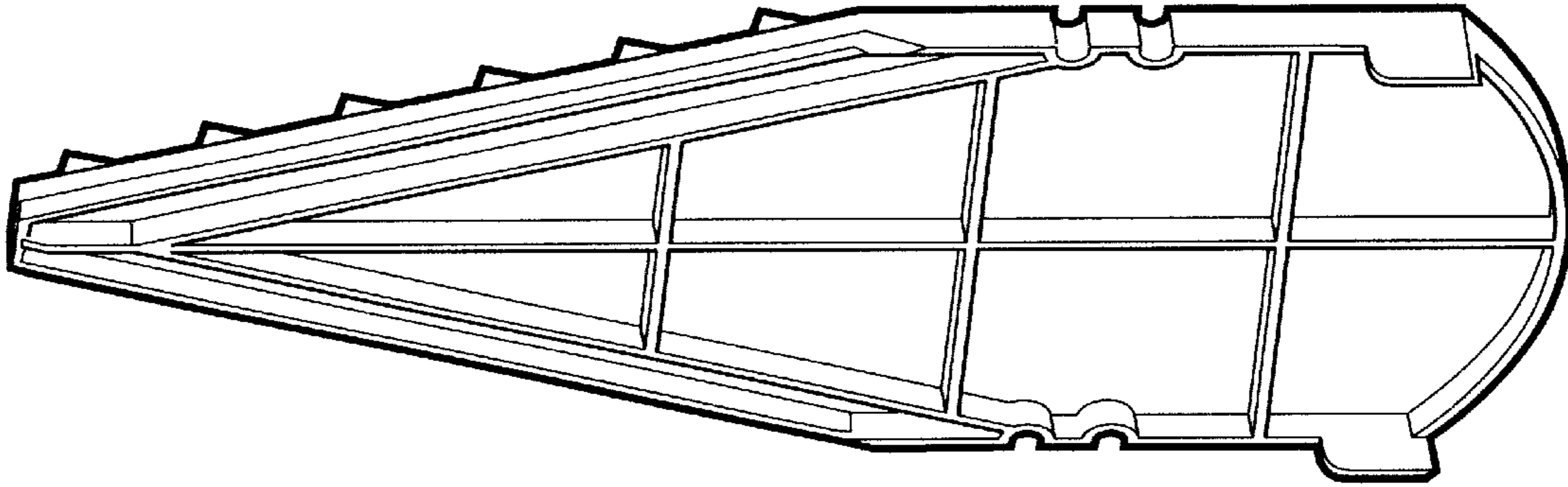


FIG. 29

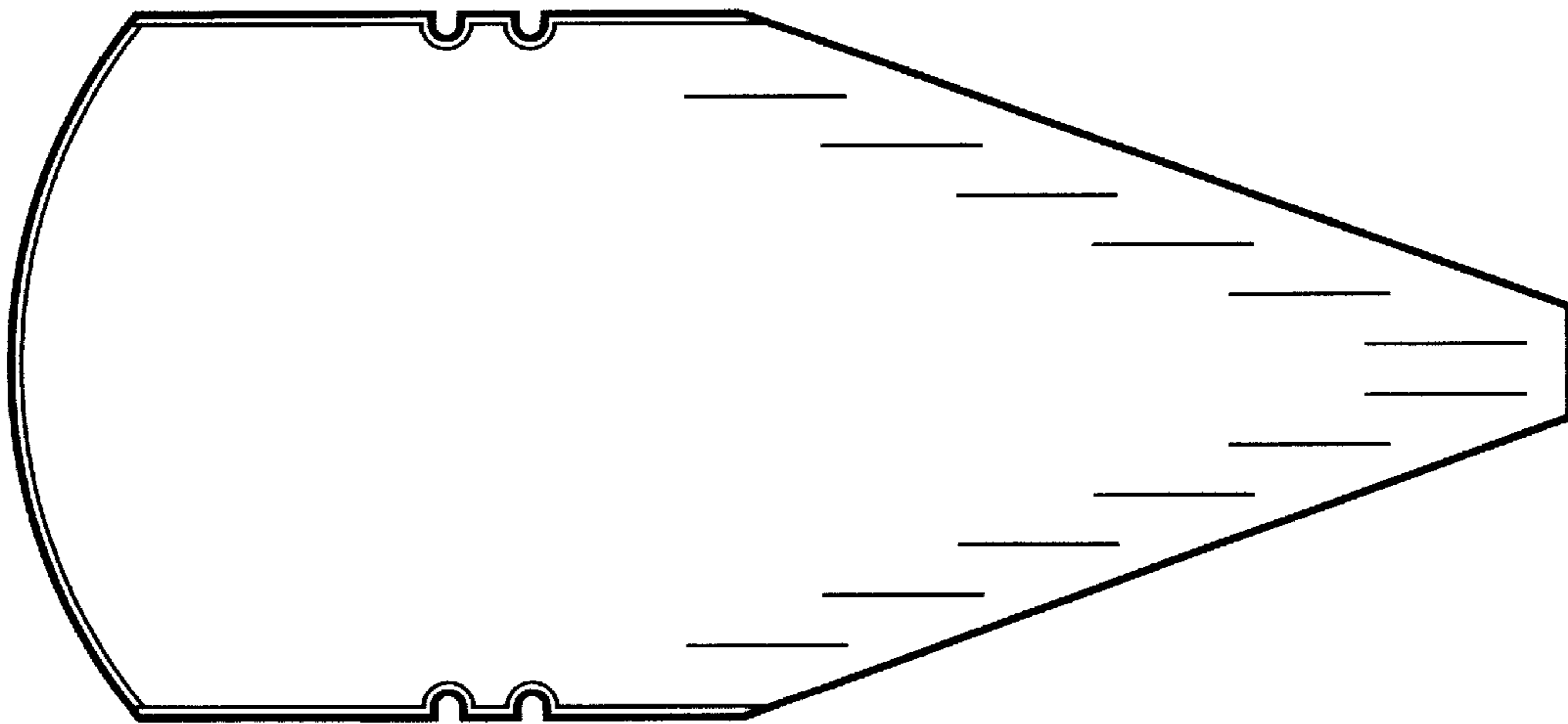


FIG. 30

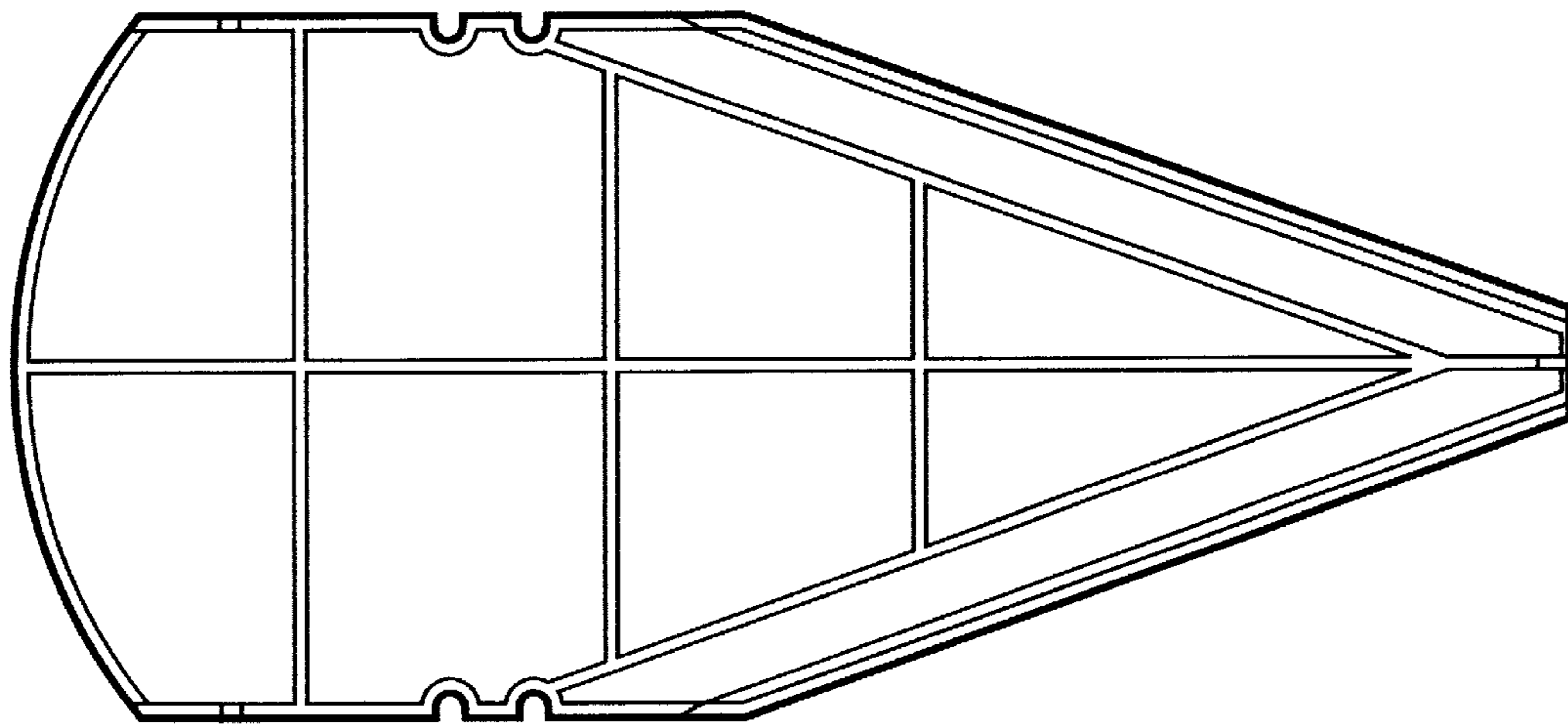


FIG. 31

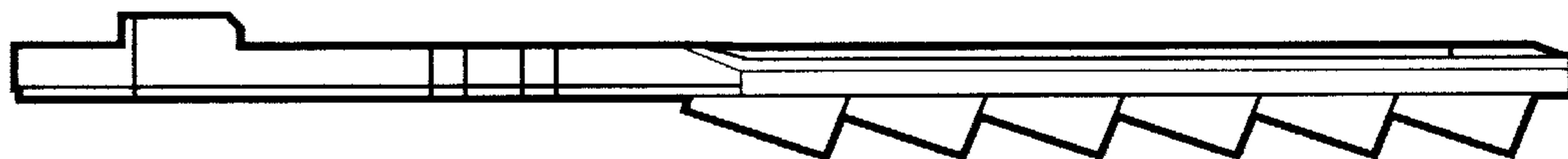


FIG. 32

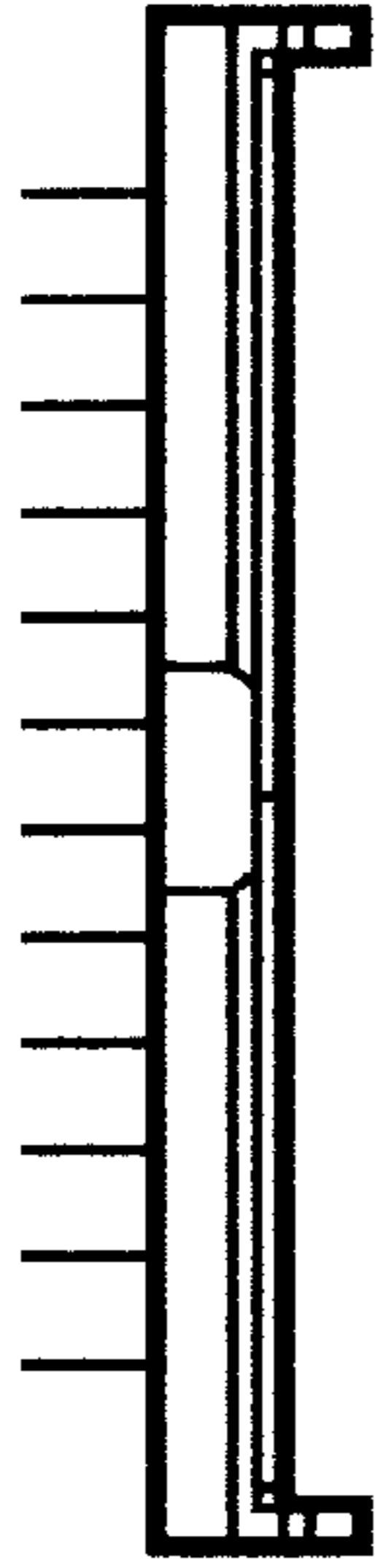


FIG. 33

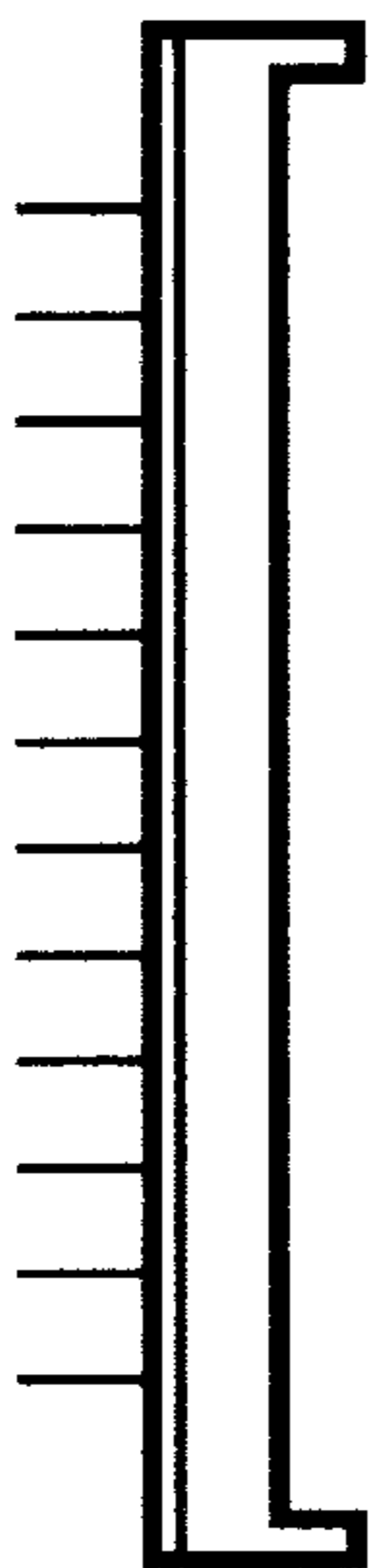


FIG. 34