



US00D496833S1

(12) **United States Design Patent**
Lantz

(10) **Patent No.:** **US D496,833 S**
(45) **Date of Patent:** **** Oct. 5, 2004**

(54) **FEEDING IMPLEMENT**

(75) Inventor: **Daniel Lantz**, Morristown, NJ (US)

(73) Assignee: **Gerber Products Company**, Fremont, MI (US)

(**) Term: **14 Years**

(21) Appl. No.: **29/188,529**

(22) Filed: **Aug. 20, 2003**

(51) **LOC (7) Cl.** **07-03**

(52) **U.S. Cl.** **D7/653**

(58) **Field of Search** D7/642-645, 653-664,
D7/401.2; 30/147-150, 322-328; D24/198

(56) **References Cited**

U.S. PATENT DOCUMENTS

D121,363 S	*	7/1940	Bryant, Sr.	D7/649
D339,036 S	*	9/1993	McDaniel	D7/653
D349,770 S	*	8/1994	Jarnagin	D24/198
5,890,223 A		4/1999	Klemmer	30/150
6,105,259 A		8/2000	Meyers et al.	30/323
6,134,790 A	*	10/2000	Watson	30/326

* cited by examiner

Primary Examiner—Caron D. Veynar
(74) *Attorney, Agent, or Firm*—John W. Kung

(57) **CLAIM**

The ornamental design for a feeding implement, as shown and described.

DESCRIPTION

FIG. 1 is a perspective view of a feeding implement of my new design;

FIG. 2 is a top plan view of the feeding implement of FIG. 1, the bottom plan view being the same image;

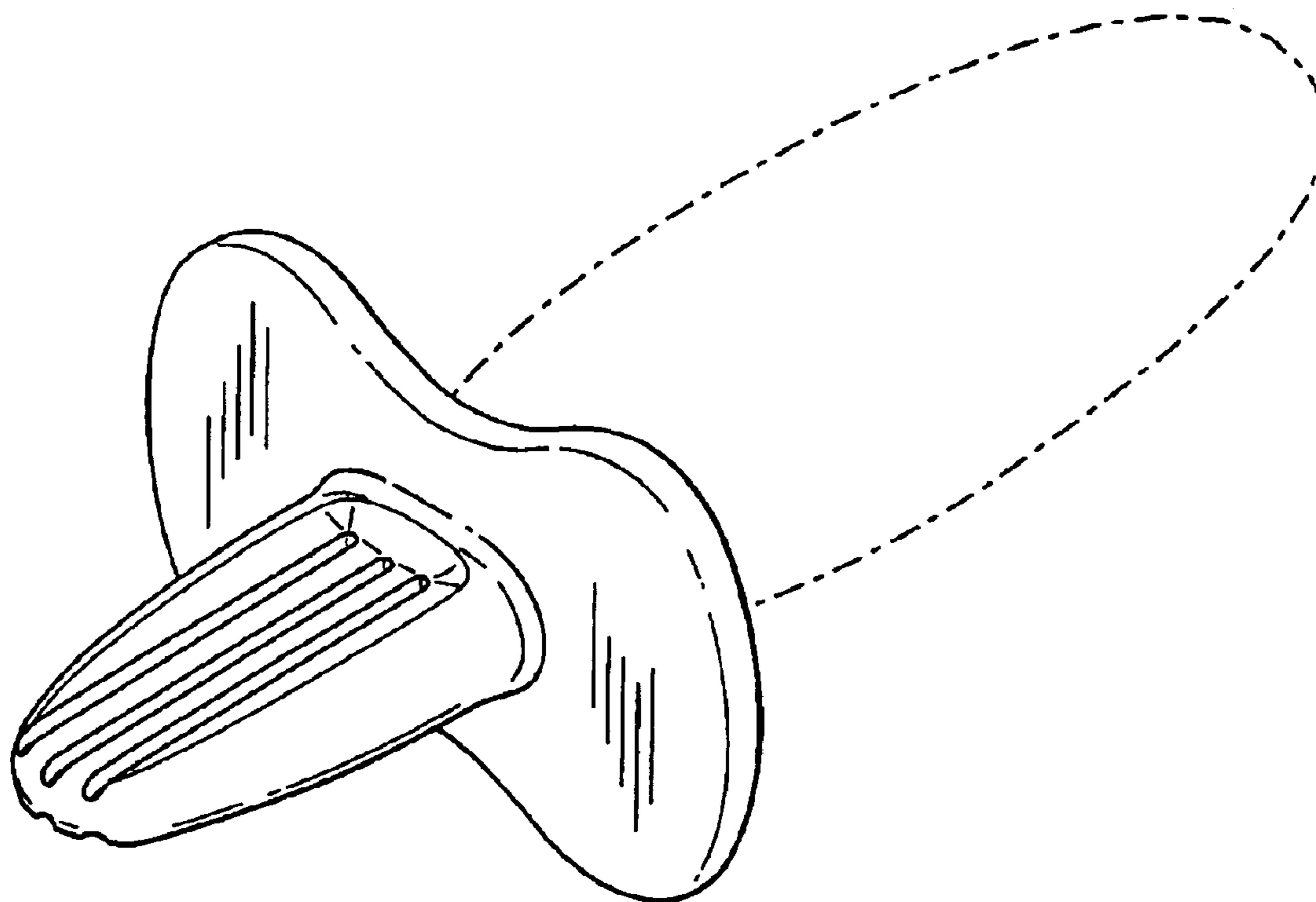
FIG. 3 is a left side elevational view of the feeding implement of FIG. 1, the right side being a mirror image;

FIG. 4 is a front elevational view of the feeding implement of FIG. 1; and,

FIG. 5 is a rear elevational view of the feeding implement of FIG. 1.

The handle is shown in broken lines for illustrative purposes only and forms no part of the claimed design.

1 Claim, 2 Drawing Sheets



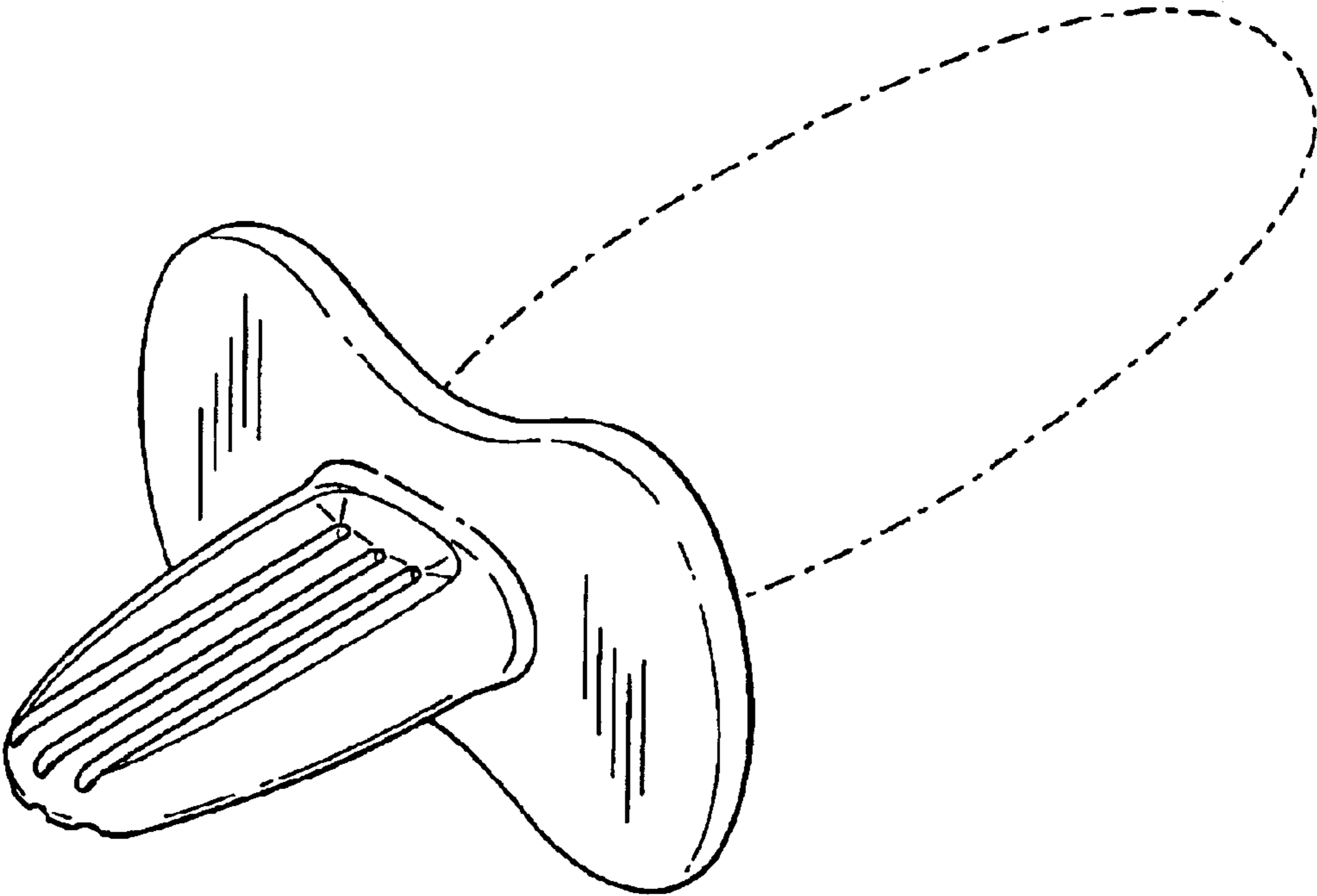


FIG. 1

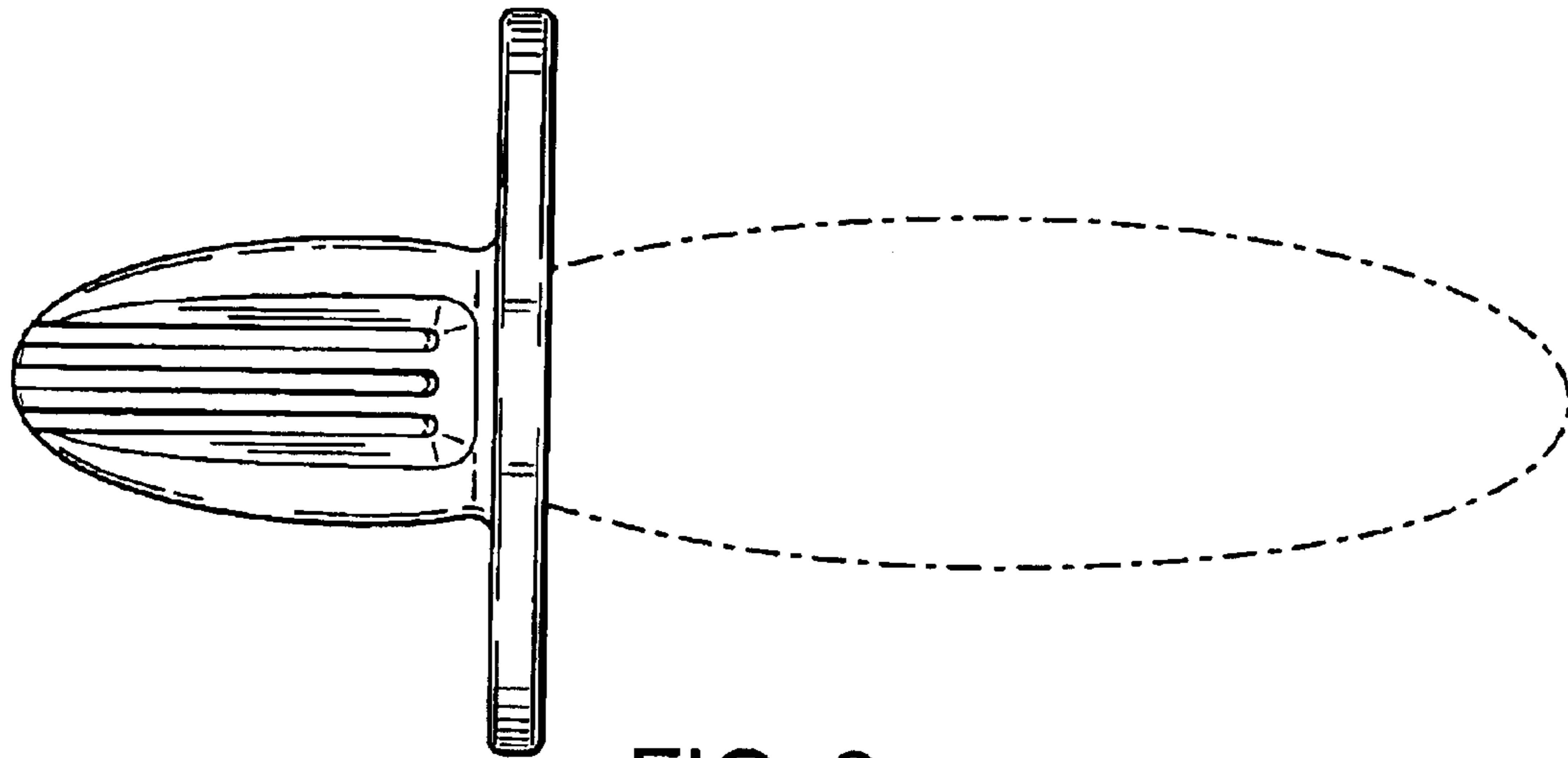


FIG. 2

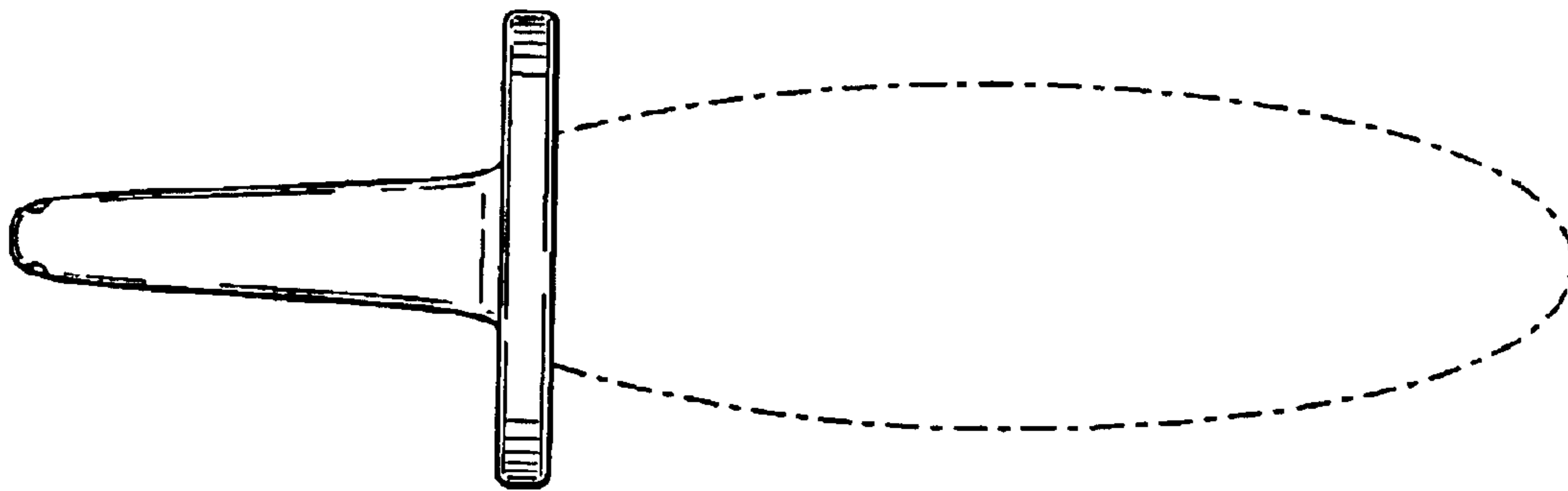


FIG. 3

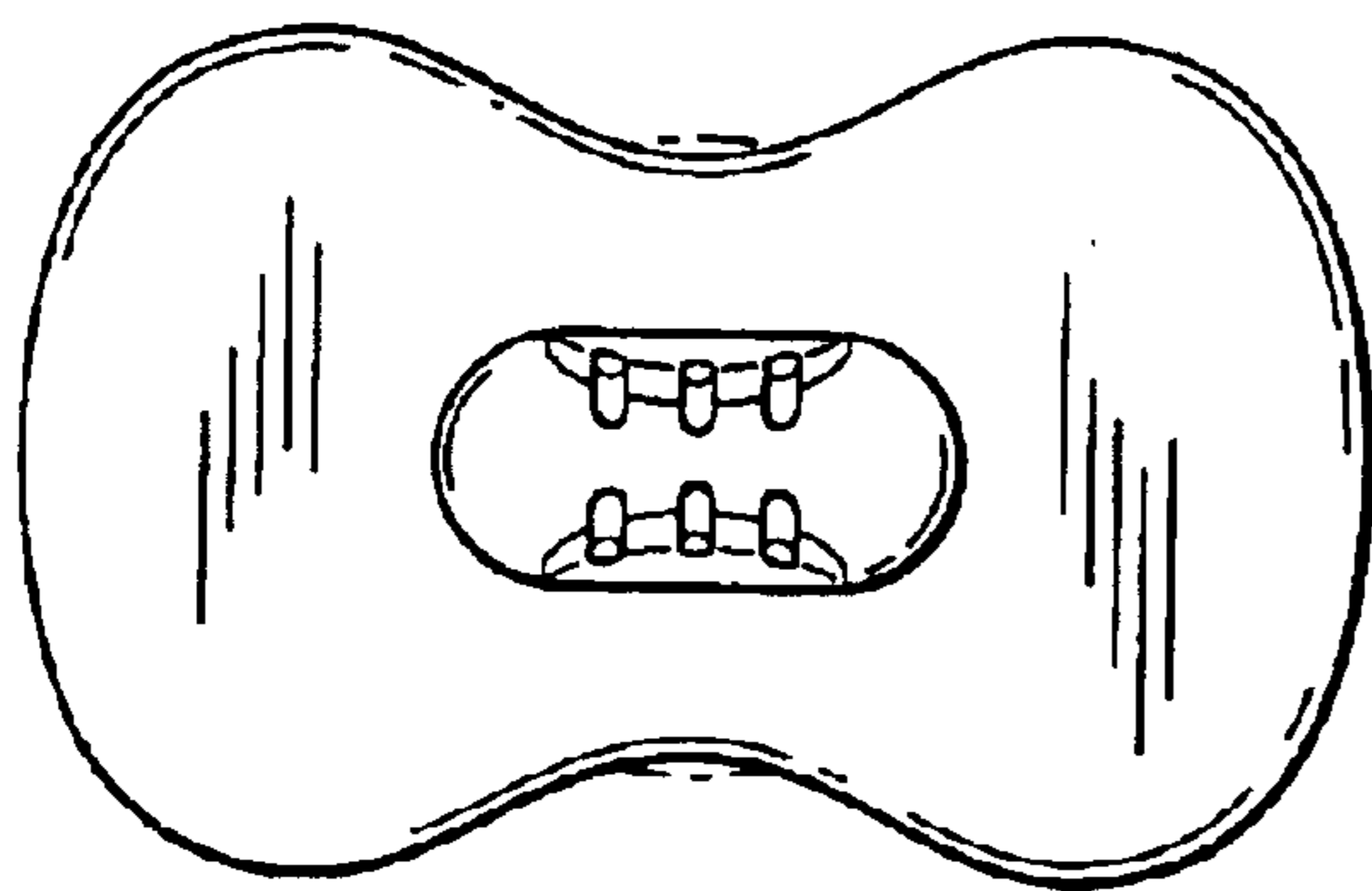


FIG. 4

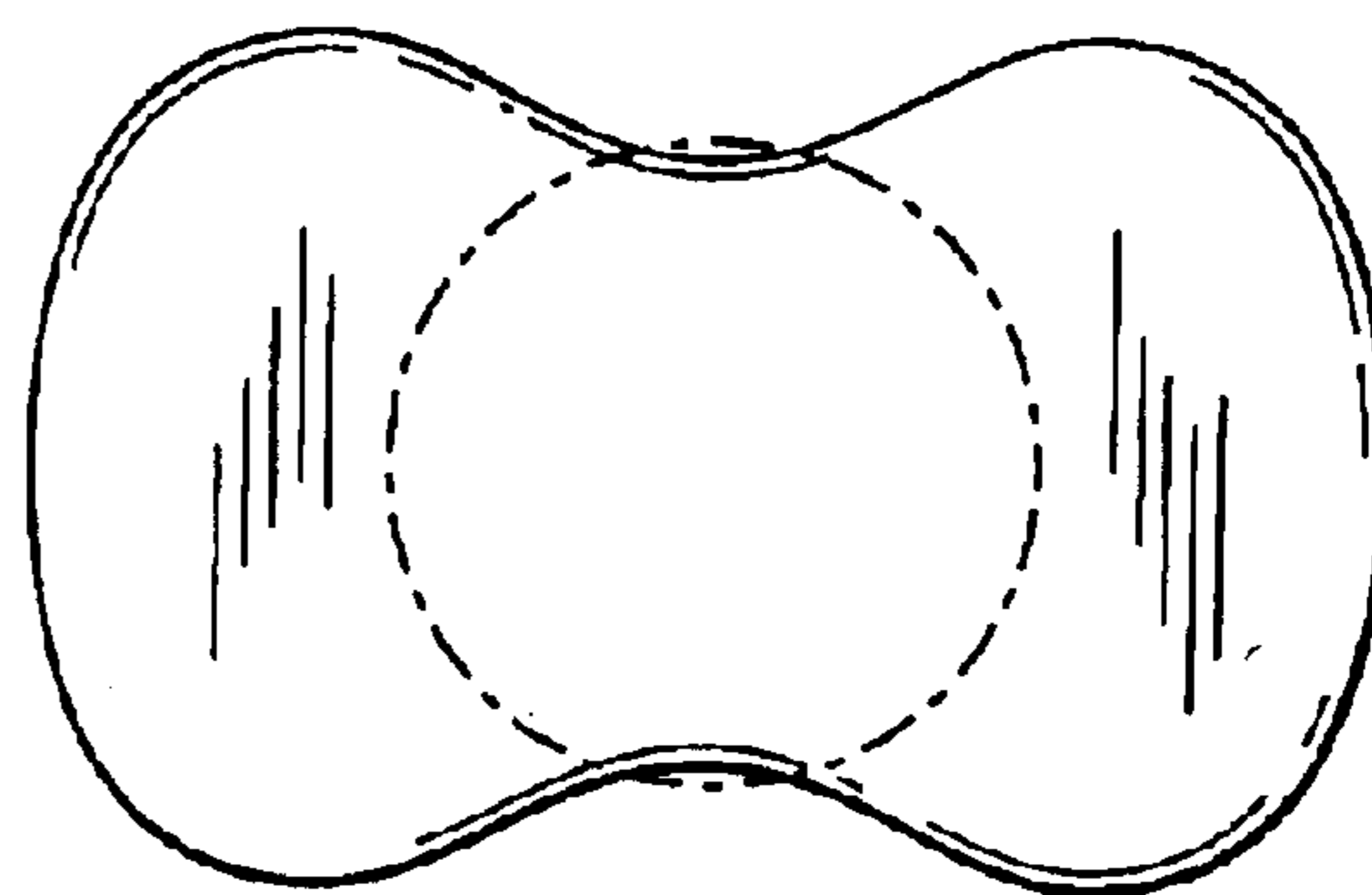


FIG. 5