

US00D496831S1

(12) **United States Design Patent**
Strahota et al.

(10) **Patent No.:** **US D496,831 S**
(45) **Date of Patent:** **** Oct. 5, 2004**

(54) **CONDIMENT CAROUSEL**

(76) Inventors: **Kathleen A. Strahota**, 3486 Hargrove St., Madison, WI (US) 53714; **Thomas J. Strahota, Sr.**, 3486 Hargrove St., Madison, WI (US) 53714

(**) Term: **14 Years**

(21) Appl. No.: **29/195,458**

(22) Filed: **Dec. 12, 2003**

(51) **LOC (7) Cl.** **07-06**

(52) **U.S. Cl.** **D7/600.3**

(58) **Field of Search** D7/600-600.4,
D7/501, 590, 550-557, 701-708; D6/457,
469, 509, 511; D19/75, 81, 84, 95; 206/372,
562; 211/71.01, 74, 77, 78, 128.1, 131.1,
133.4, 126.1, 144

(56) **References Cited**

U.S. PATENT DOCUMENTS

- 1,977,092 A 10/1934 Scurlock
- 3,088,714 A * 5/1963 Isreeli 211/74
- D251,049 S 2/1979 Gardner
- D290,573 S * 6/1987 Drummond et al. D7/706
- D291,635 S * 9/1987 Dickman D6/509
- 5,377,850 A 1/1995 Liaw

- 5,462,180 A 10/1995 Bright
- D407,610 S 4/1999 Weterrings et al.
- 5,894,944 A * 4/1999 Swift 211/78
- 6,446,828 B1 * 9/2002 Casteel 220/575
- D464,533 S 10/2002 McGuyer
- D472,771 S 4/2003 McGuyer

* cited by examiner

Primary Examiner—Terry A. Wallace

(74) *Attorney, Agent, or Firm*—Donald R. Schoonover

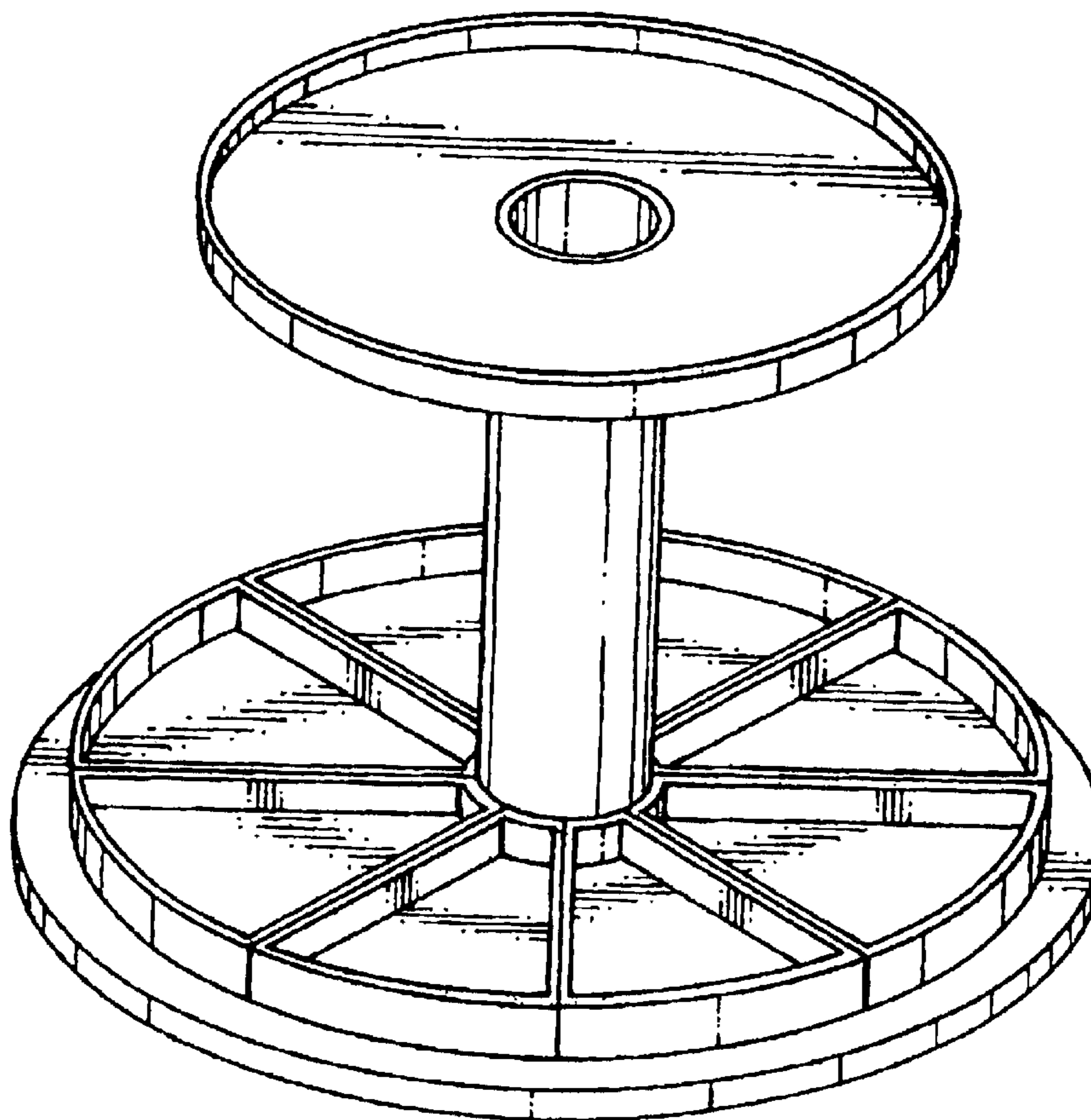
(57) **CLAIM**

We claim the ornamental design for a condiment carousel, as shown and described.

DESCRIPTION

FIG. 1 is a perspective view of a condiment carousel showing our new design; FIG. 2 is a side elevational view thereof; all other side elevational views being substantially identical thereto; FIG. 3 is a top plan view thereof; FIG. 4 is a bottom plan view thereof; and, FIG. 5 is a reduced perspective view showing the condiment carousel in use; the broken lines depict environmental structure for illustrative purposes only and form no part of the claimed design.

1 Claim, 3 Drawing Sheets



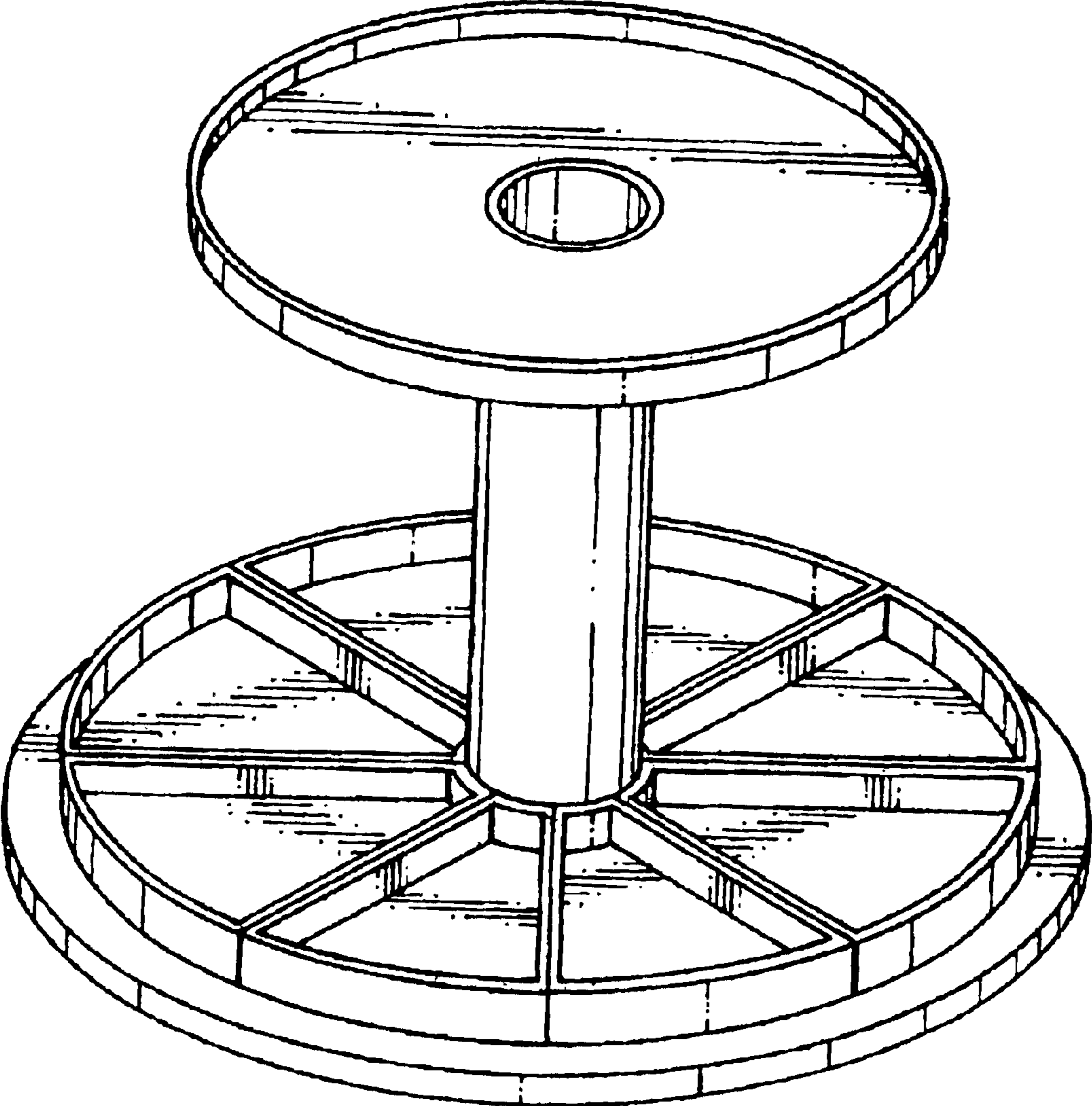


FIG. 1.

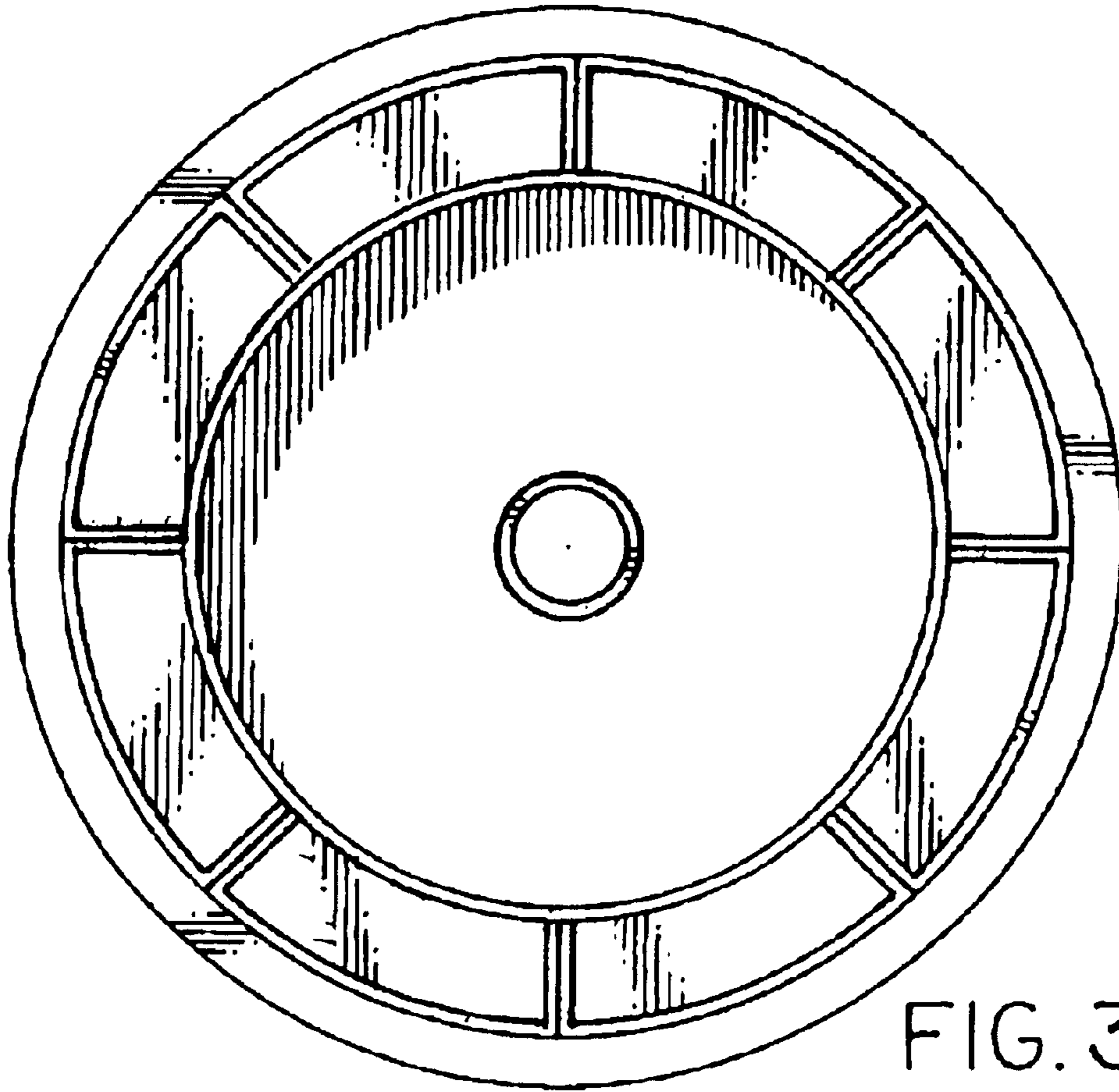


FIG. 3.

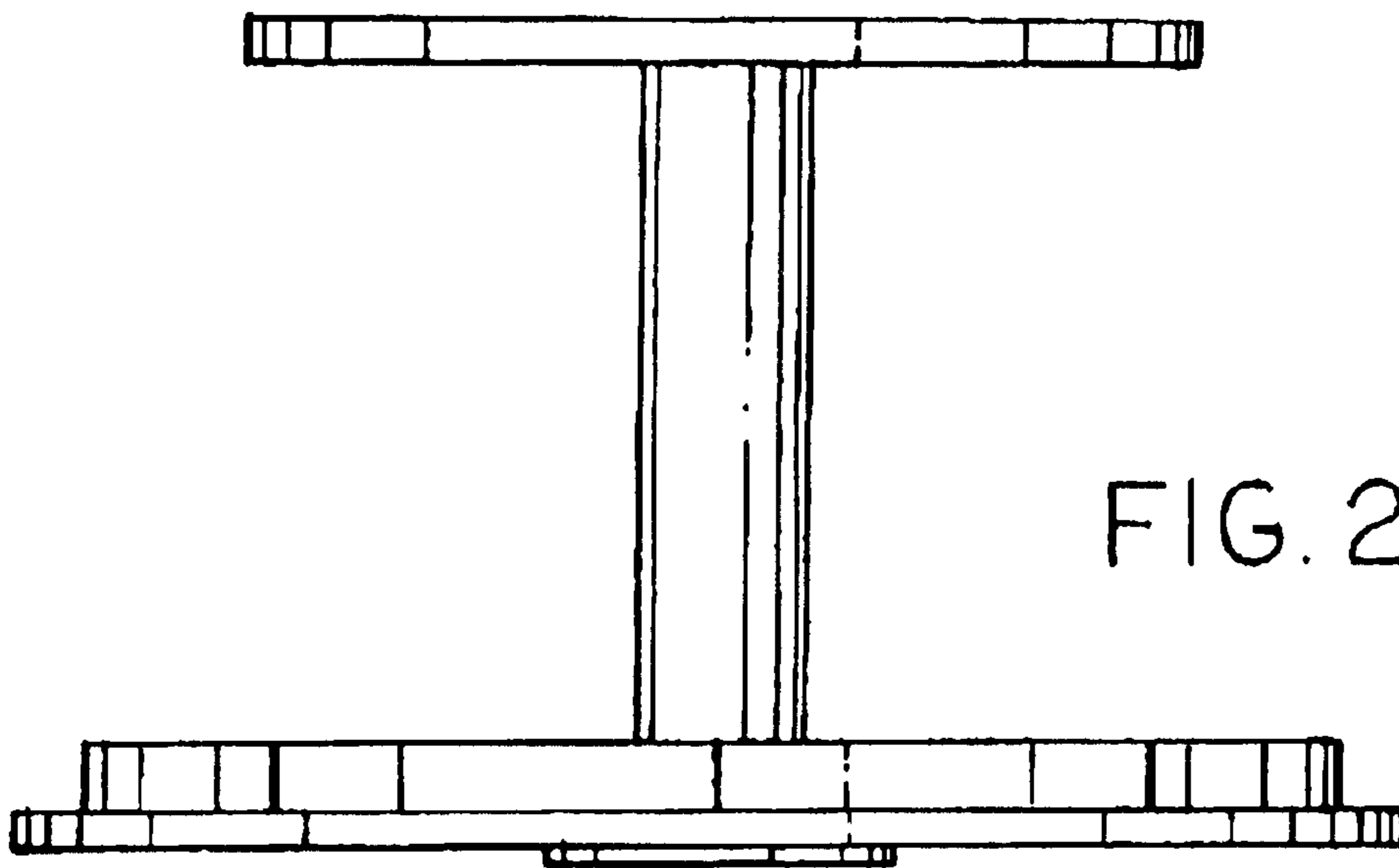


FIG. 2.

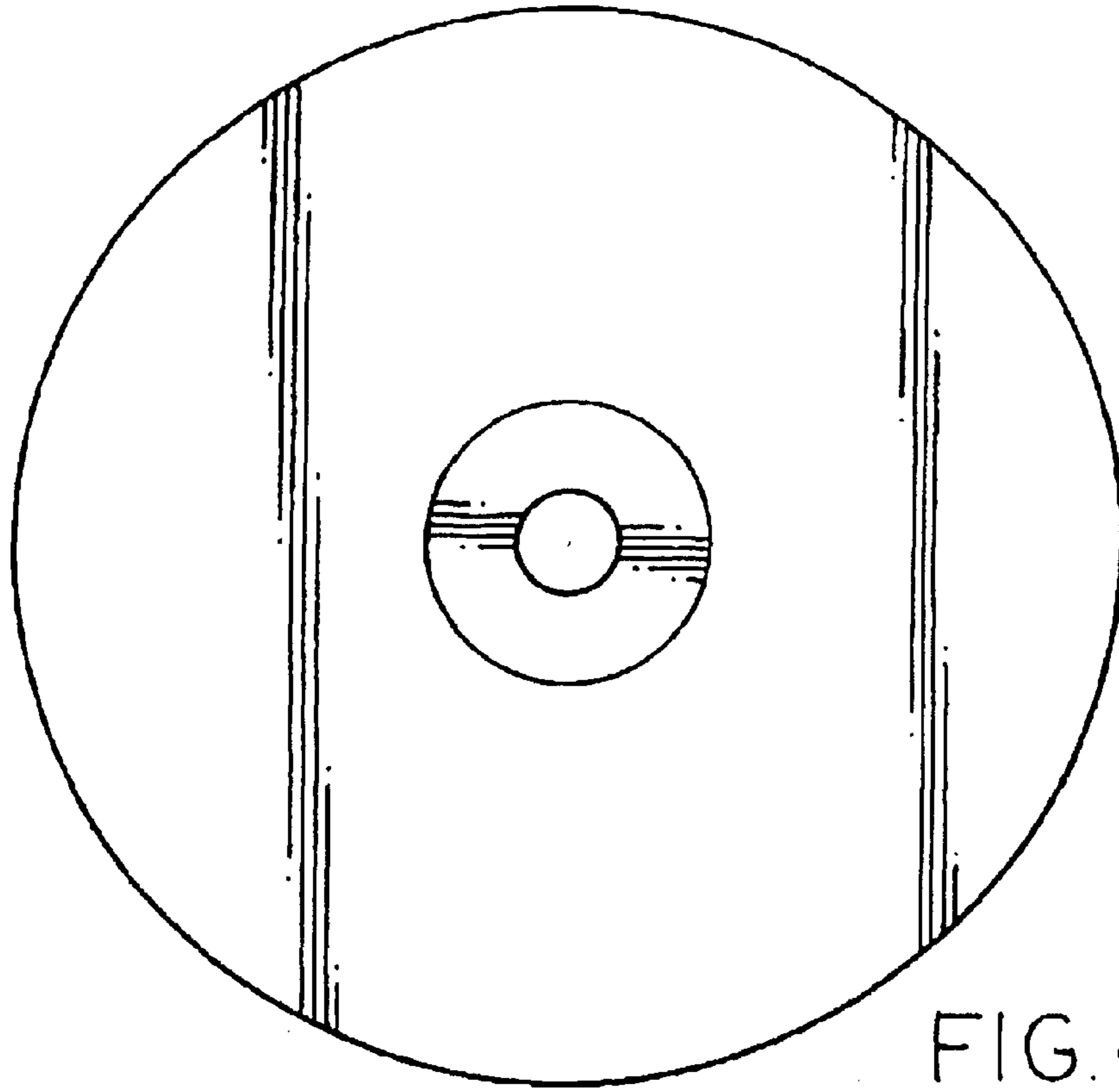


FIG. 4.

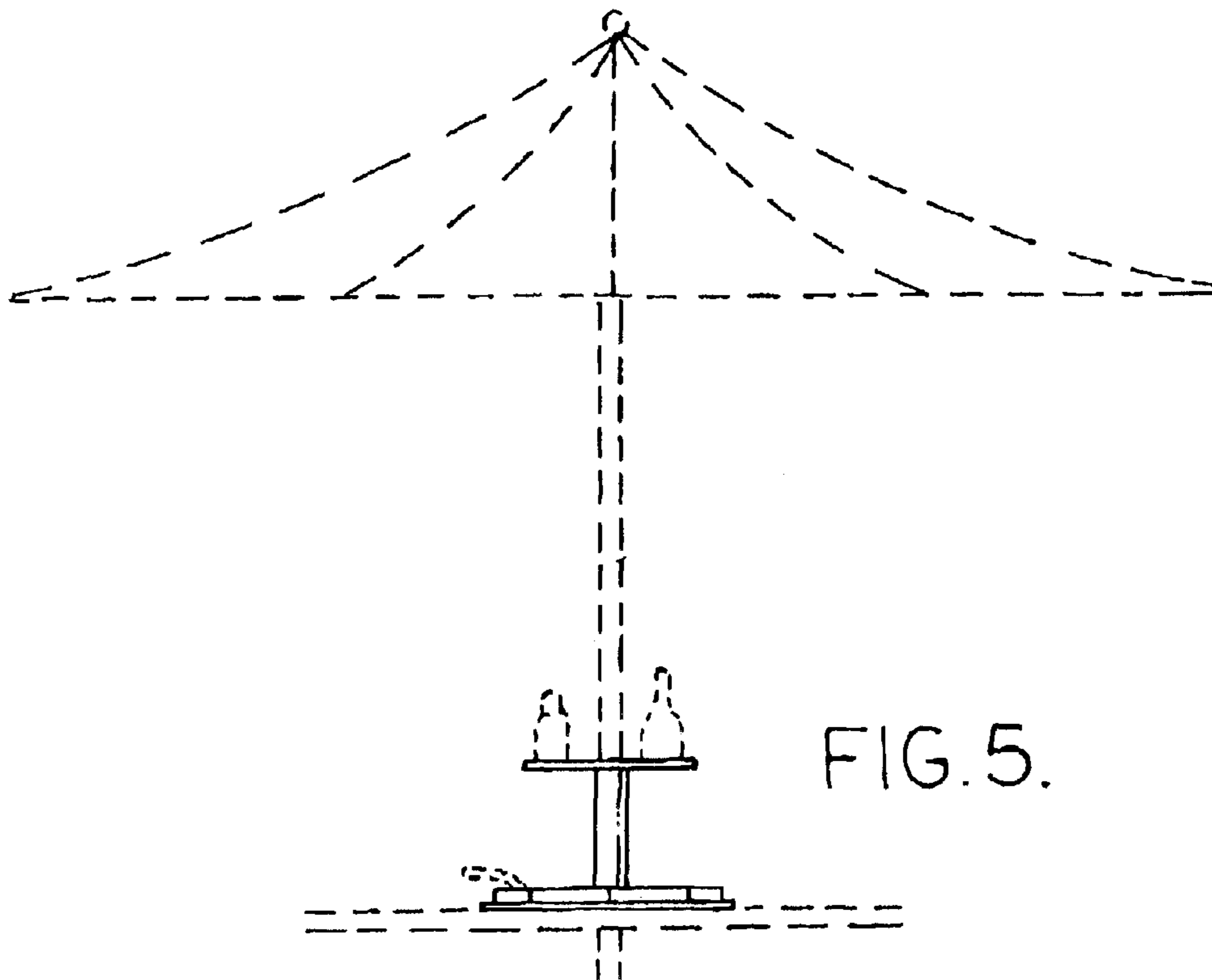


FIG. 5.