

US00D496830S1

(12) **United States Design Patent**  
**Hockey**

(10) **Patent No.:** **US D496,830 S**

(45) **Date of Patent:** **\*\* Oct. 5, 2004**

(54) **SPICE CONTAINER WITH DISPENSING LID**

D318,778 S \* 8/1991 Fiore et al. .... D7/591  
D380,351 S \* 7/1997 Jeppesen et al. .... D7/597

(75) **Inventor:** **Thomas W. J. Hockey**, Simi Valley,  
CA (US)

\* cited by examiner

(73) **Assignee:** **Leeds Engineering Corporation**,  
Oxnard, CA (US)

*Primary Examiner*—Terry A. Wallace

(74) *Attorney, Agent, or Firm*—Jack C. Munro

(\*\*) **Term:** **14 Years**

(57) **CLAIM**

The ornamental design for spice container with dispensing lid, as shown and described.

(21) **Appl. No.:** **29/188,154**

(22) **Filed:** **Aug. 12, 2003**

**DESCRIPTION**

(51) **LOC (7) Cl.** ..... **07-06**

(52) **U.S. Cl.** ..... **D7/591**

(58) **Field of Search** ..... D7/590–598; D9/509–513,  
D9/549, 559, 447, 454; 222/142.1–142.9,  
480, 482

FIG. 1 is a perspective view of the spice container with dispensing lid showing my new design;

FIG. 2 is a front elevational view thereof with the rear view being identical;

FIG. 3 is a left side elevational view thereof with the right side being identical;

FIG. 4 is a top plan view thereof; and,

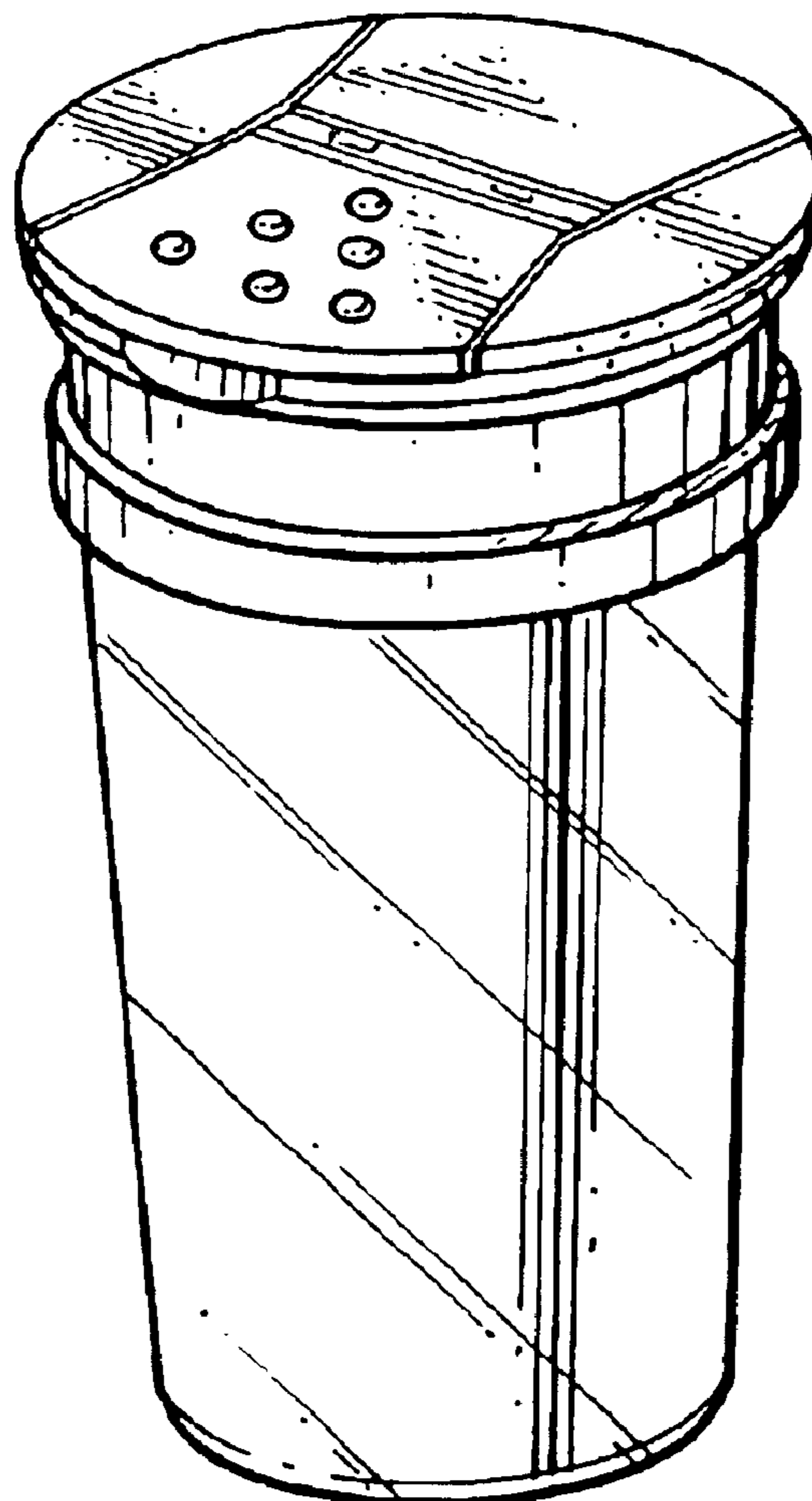
FIG. 5 is a bottom plan view thereof.

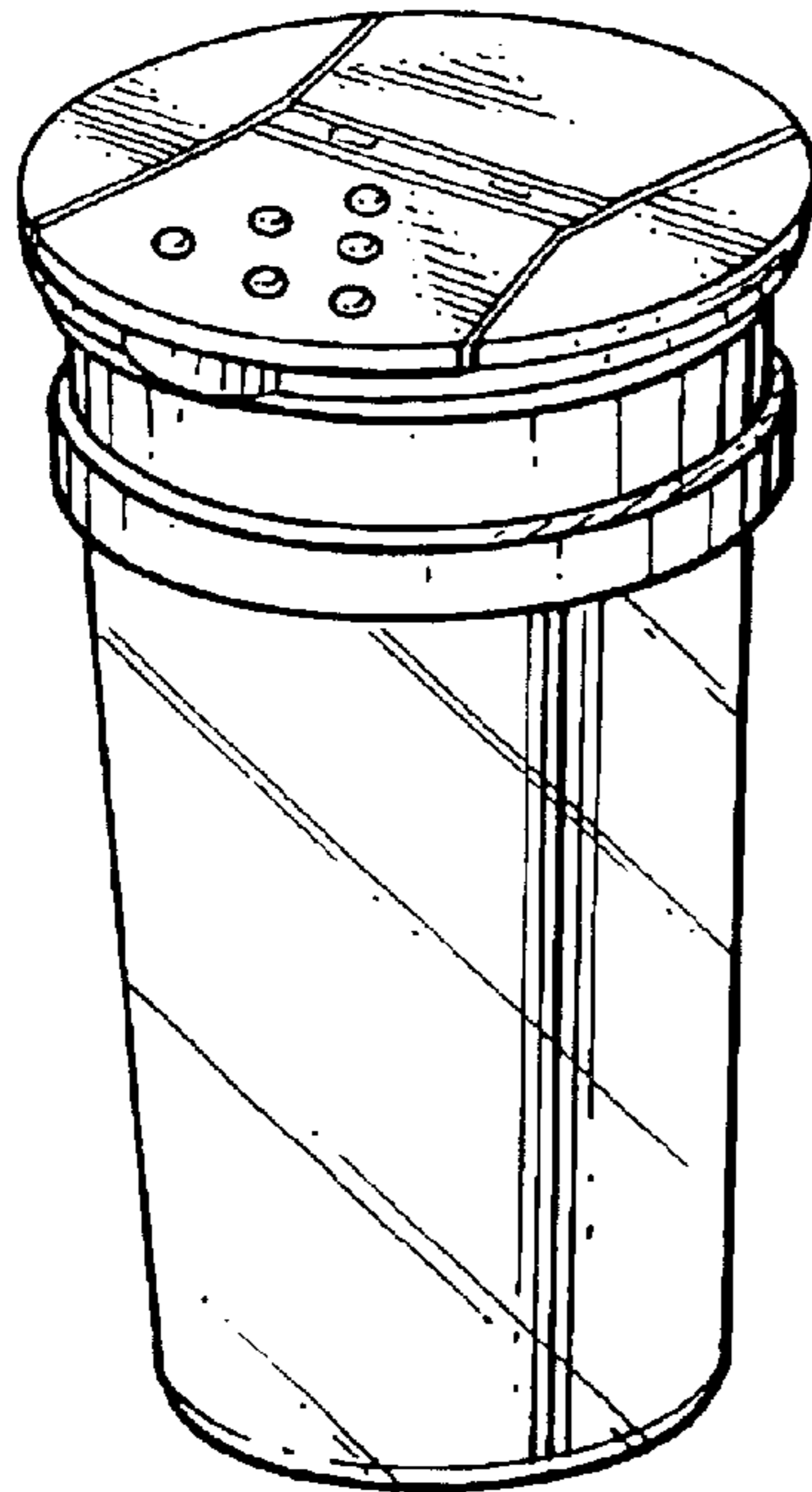
(56) **References Cited**

**U.S. PATENT DOCUMENTS**

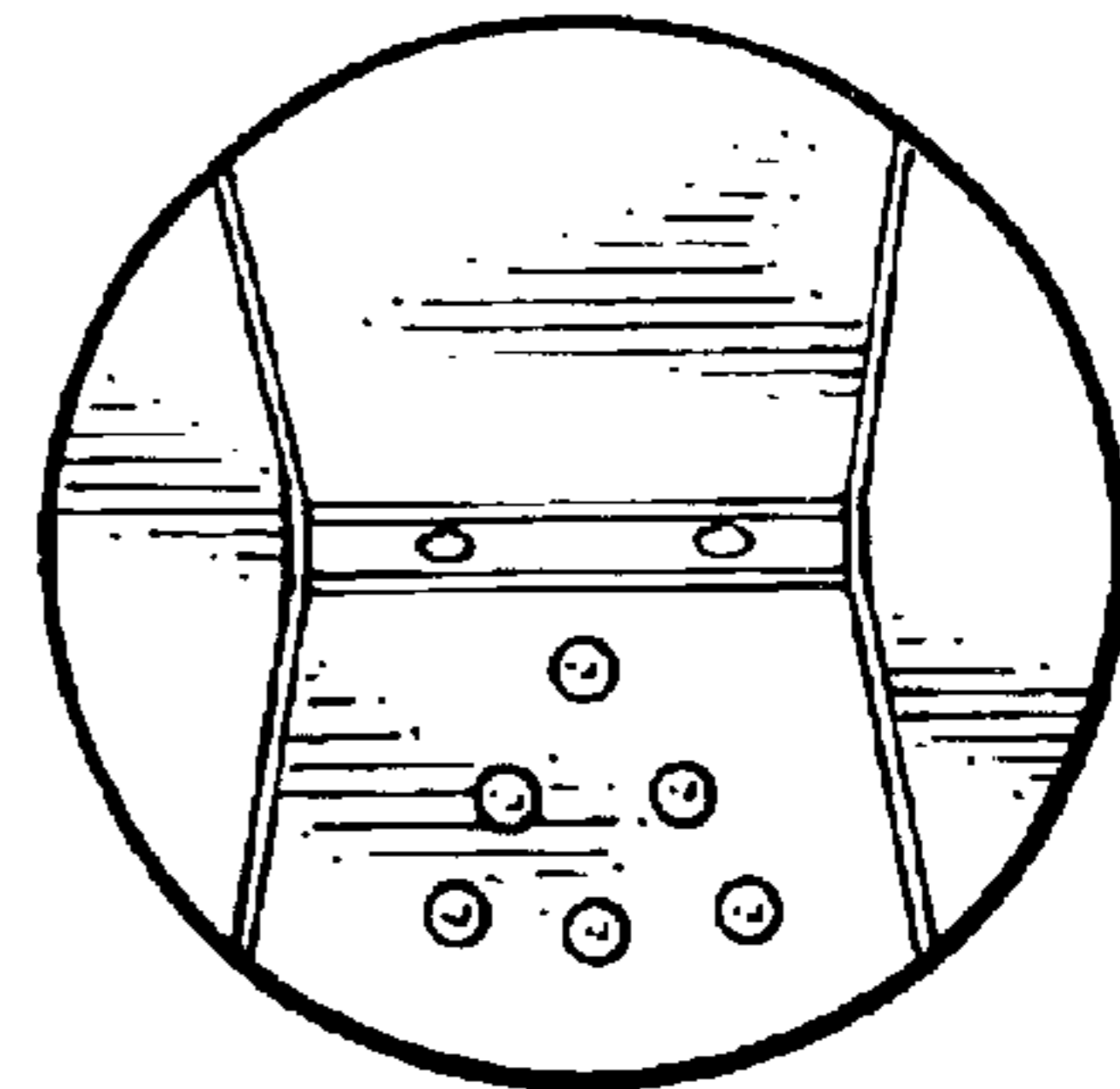
3,140,019 A \* 7/1964 Barr ..... 222/480

**1 Claim, 1 Drawing Sheet**

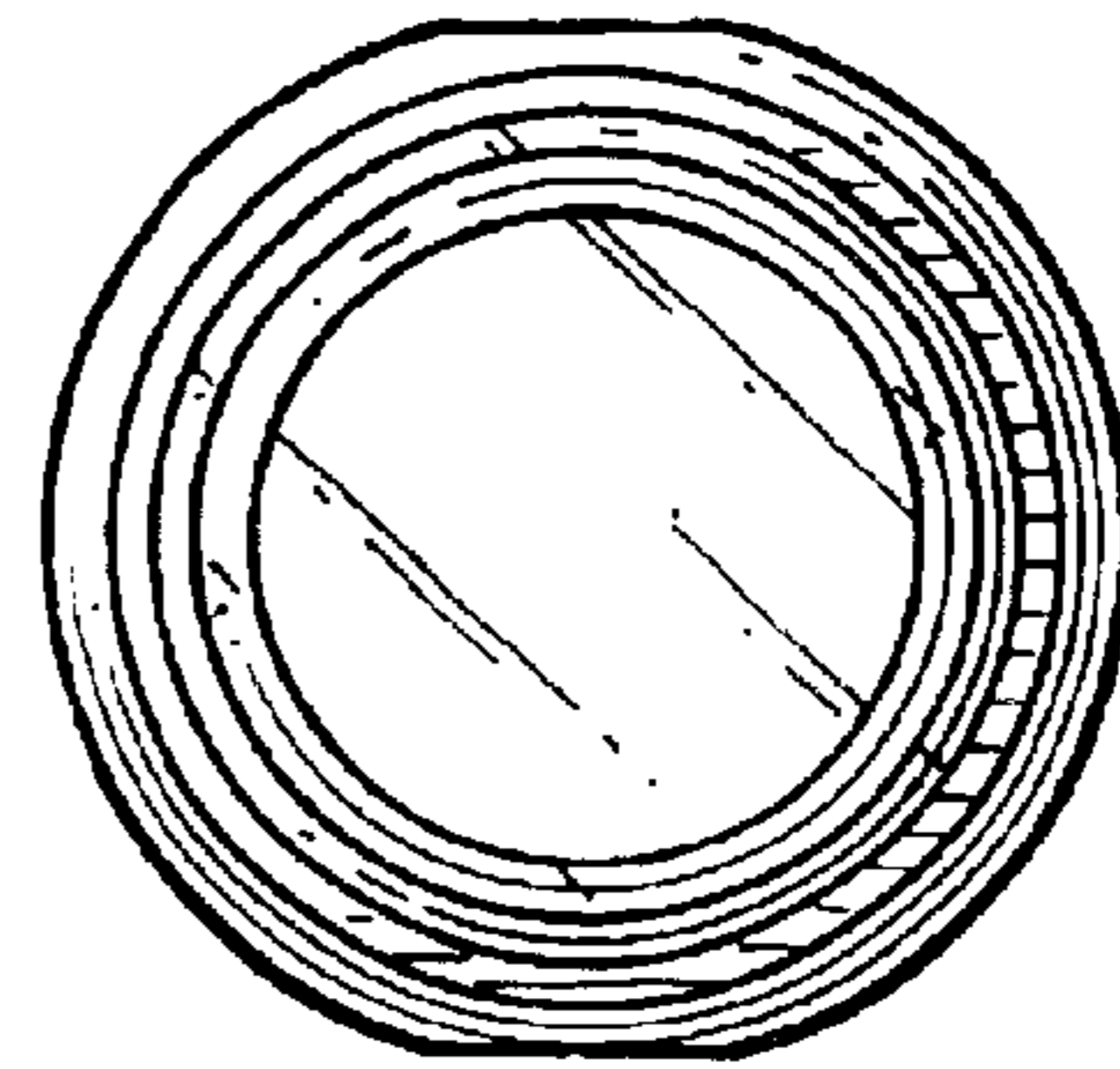




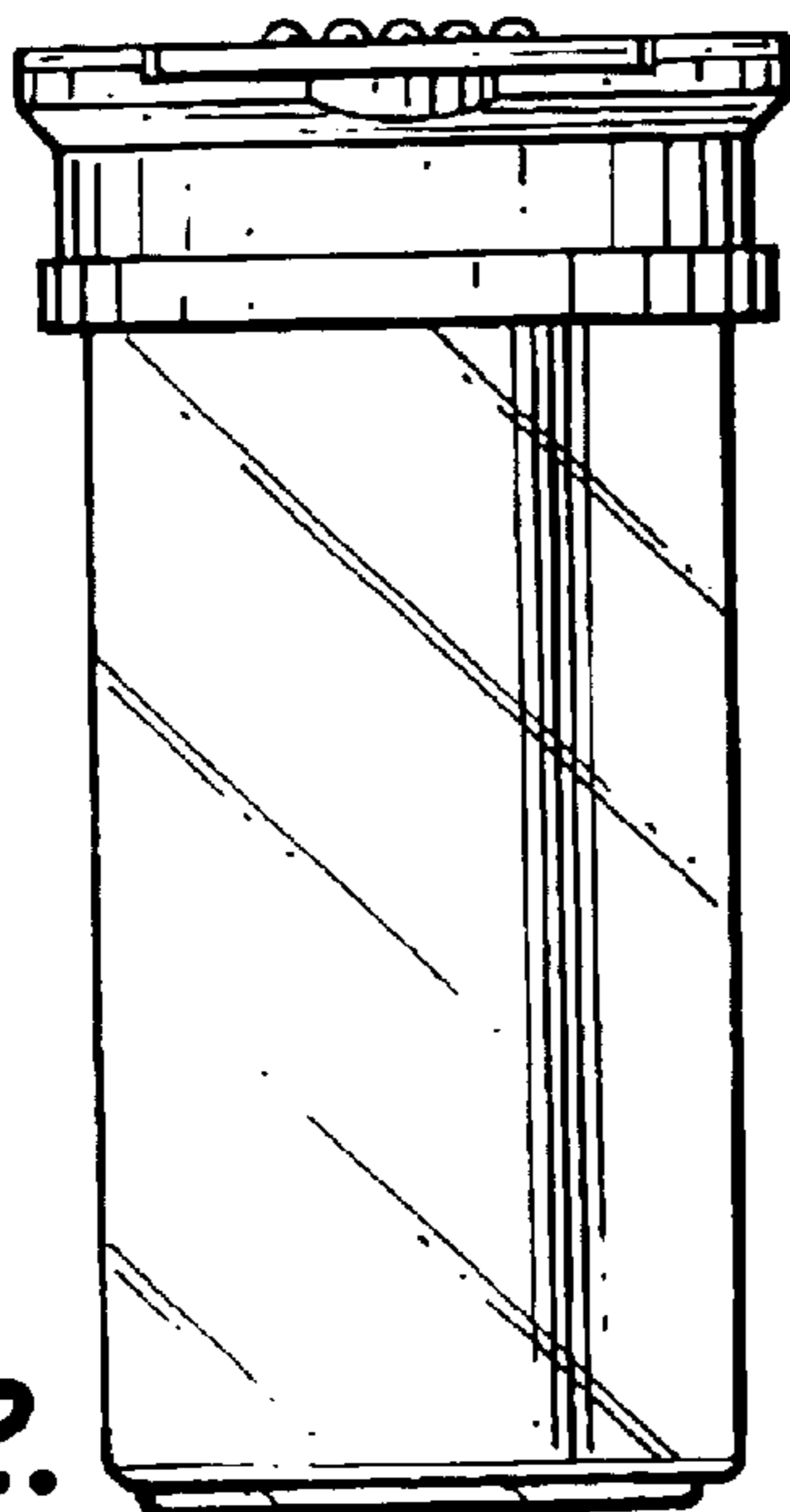
*Fig. 1.*



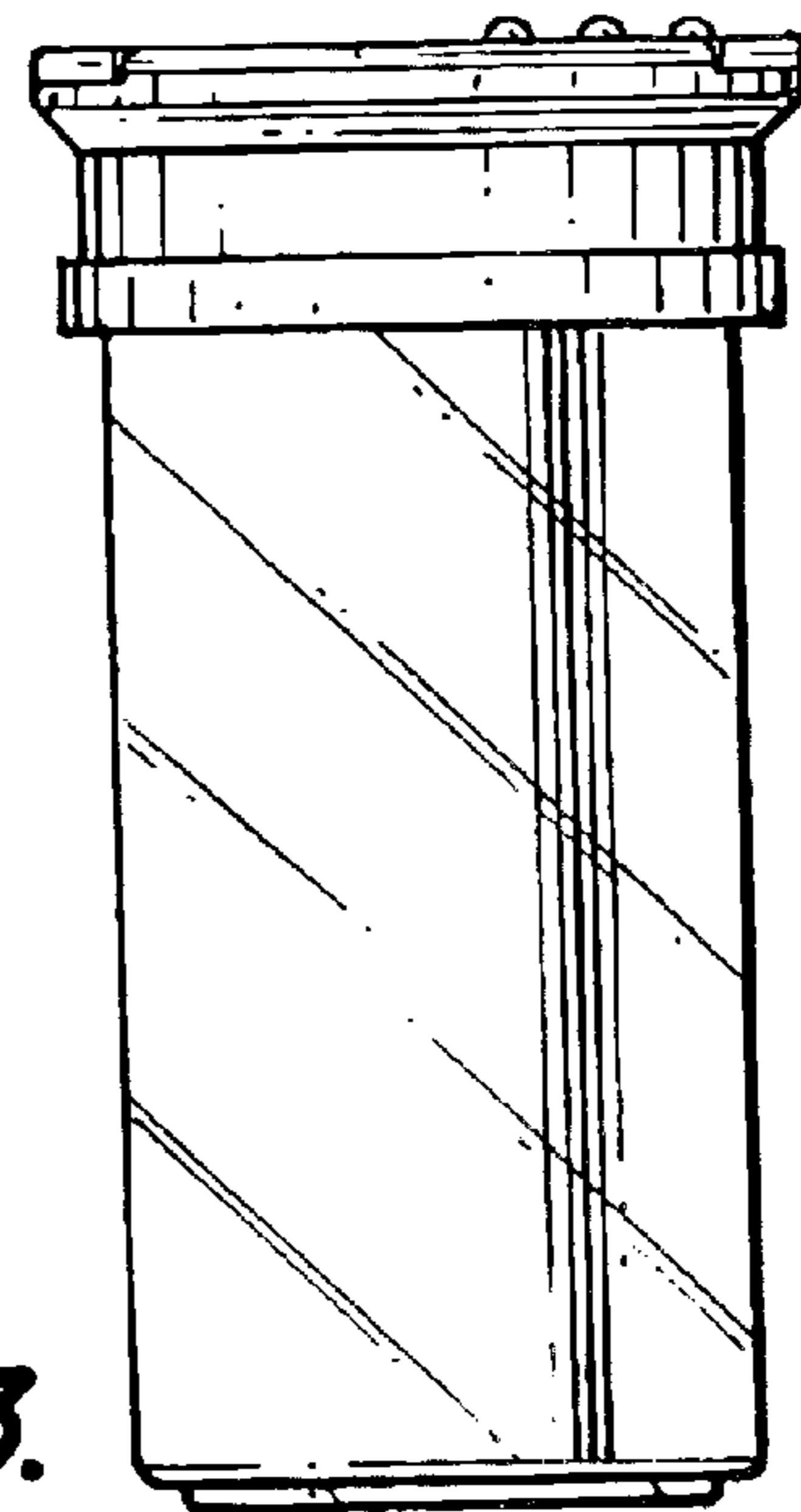
*Fig. 4.*



*Fig. 5.*



*Fig. 2.*



*Fig. 3.*