



US00D496828S1

(12) **United States Design Patent**
Lackey

(10) **Patent No.:** **US D496,828 S**

(45) **Date of Patent:** **** Oct. 5, 2004**

(54) **DRINK AND FOOD ADAPTER TRAY**

(75) **Inventor:** **James K. Lackey**, Newcastle, OK (US)

(73) **Assignee:** **O Tray Corporation**, Oklahoma City, OK (US)

(**) **Term:** **14 Years**

(21) **Appl. No.:** **29/182,881**

(22) **Filed:** **Jun. 2, 2003**

(51) **LOC (7) Cl.** **07-01**

(52) **U.S. Cl.** **D7/553.5**

(58) **Field of Search** D7/360, 394, 587,
D7/586, 565, 571, 560, 545, 555.1, 554.1-555.4,
548; 220/223.83, 574; 211/74; 493/167;
D9/431, 655-657; 229/106

(56) **References Cited**

U.S. PATENT DOCUMENTS

| | | | | | |
|------------|---|---------|-------------|-------|----------|
| D207,062 S | * | 2/1967 | Blair | | D7/553.5 |
| D220,774 S | * | 5/1971 | Goings | | D7/553.4 |
| D255,310 S | * | 6/1980 | Spencer | | D7/553.5 |
| D268,130 S | * | 3/1983 | Easton | | D7/547 |
| D271,932 S | * | 12/1983 | Mosley | | D7/553.5 |
| D324,192 S | * | 2/1992 | Waltel, Jr. | | D7/553.4 |

| | | | | | |
|------------|---|---------|---------------|-------|----------|
| D335,796 S | * | 5/1993 | Barnes | | D7/553.5 |
| D345,083 S | * | 3/1994 | Rosenfield | | D7/553.5 |
| D404,218 S | * | 1/1999 | Sussman | | D7/553.4 |
| D423,290 S | * | 4/2000 | Green | | D7/553.5 |
| D435,196 S | * | 12/2000 | Gregor et al. | | D7/552.1 |

* cited by examiner

Primary Examiner—Charles Rademaker

(74) *Attorney, Agent, or Firm*—Fellers, Snider, et al.; Bill D. McCarthy

(57) **CLAIM**

I claim the ornamental design for a drink and food adapter tray, as shown and described.

DESCRIPTION

FIG. 1 is a perspective view of a drink and food adapter tray showing my new design. The broken line portion is for illustrative purposes only and forms no part of the claimed design;

FIG. 2 is a top plan view thereof;

FIG. 3 is a bottom plan view thereof;

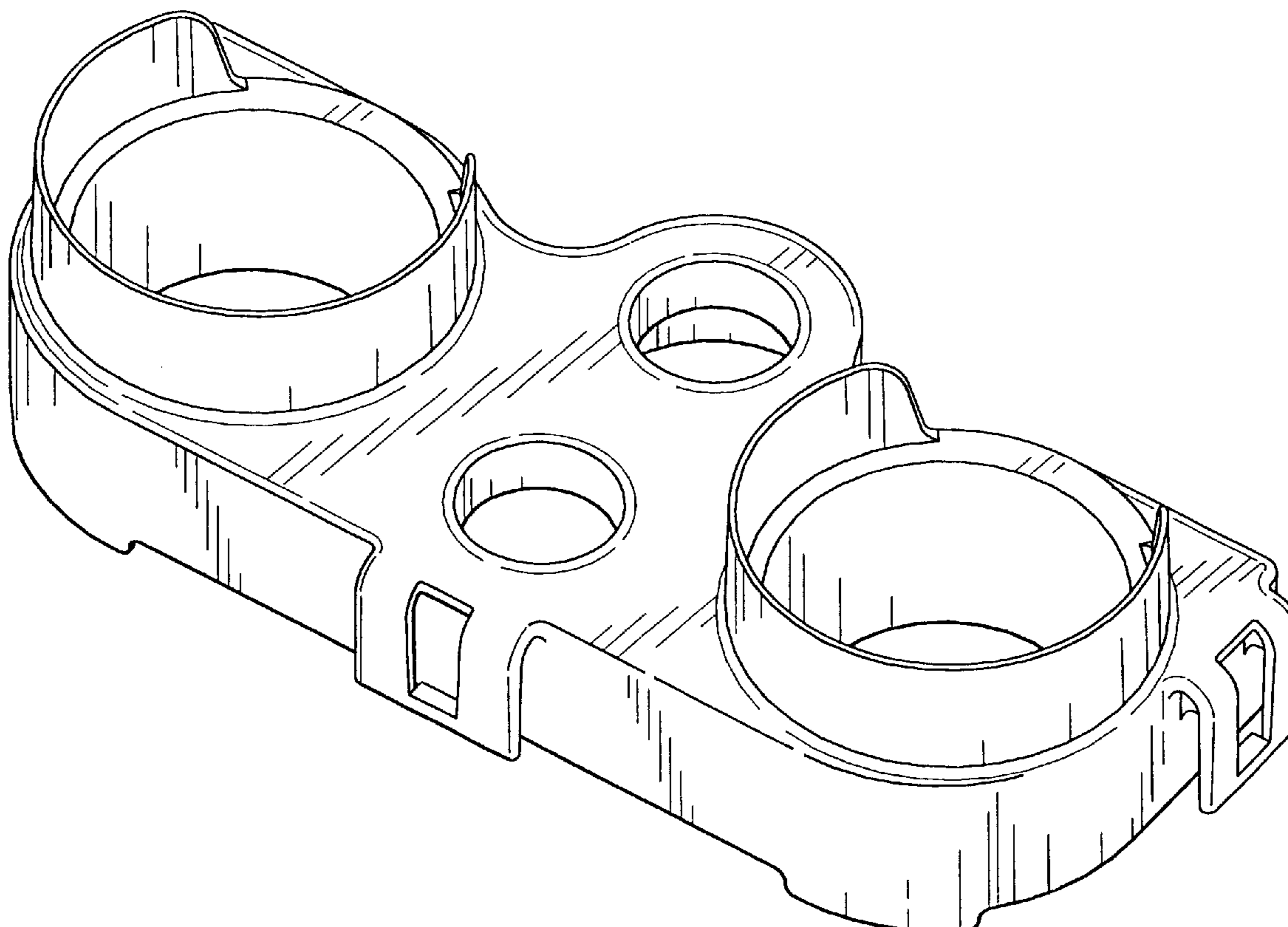
FIG. 4 is an elevational view of one side thereof;

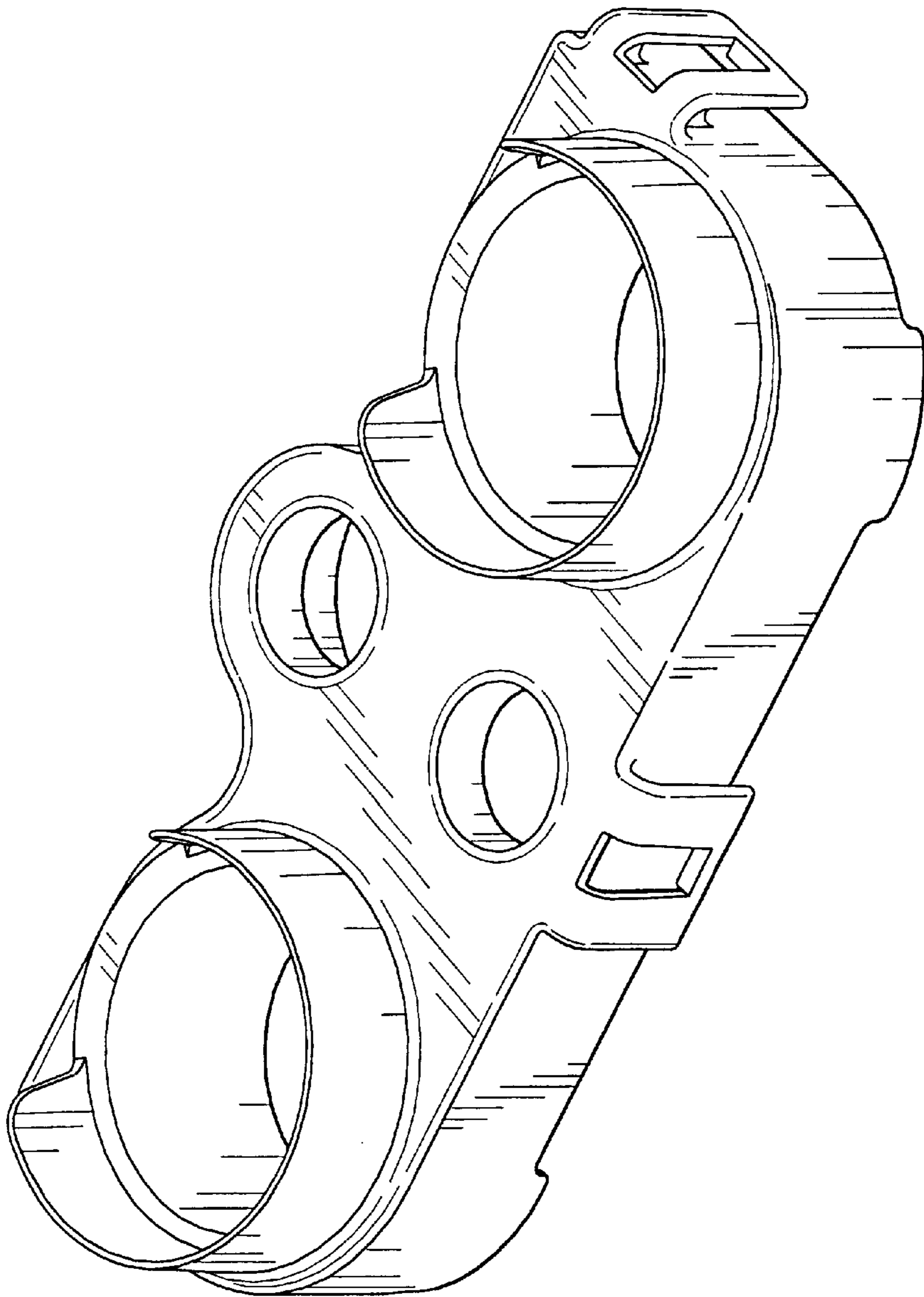
FIG. 5 is an elevational view of the other side thereof;

FIG. 6 is an elevational view of one end thereof; and,

FIG. 7 is an elevational view of the other end thereof.

1 Claim, 3 Drawing Sheets





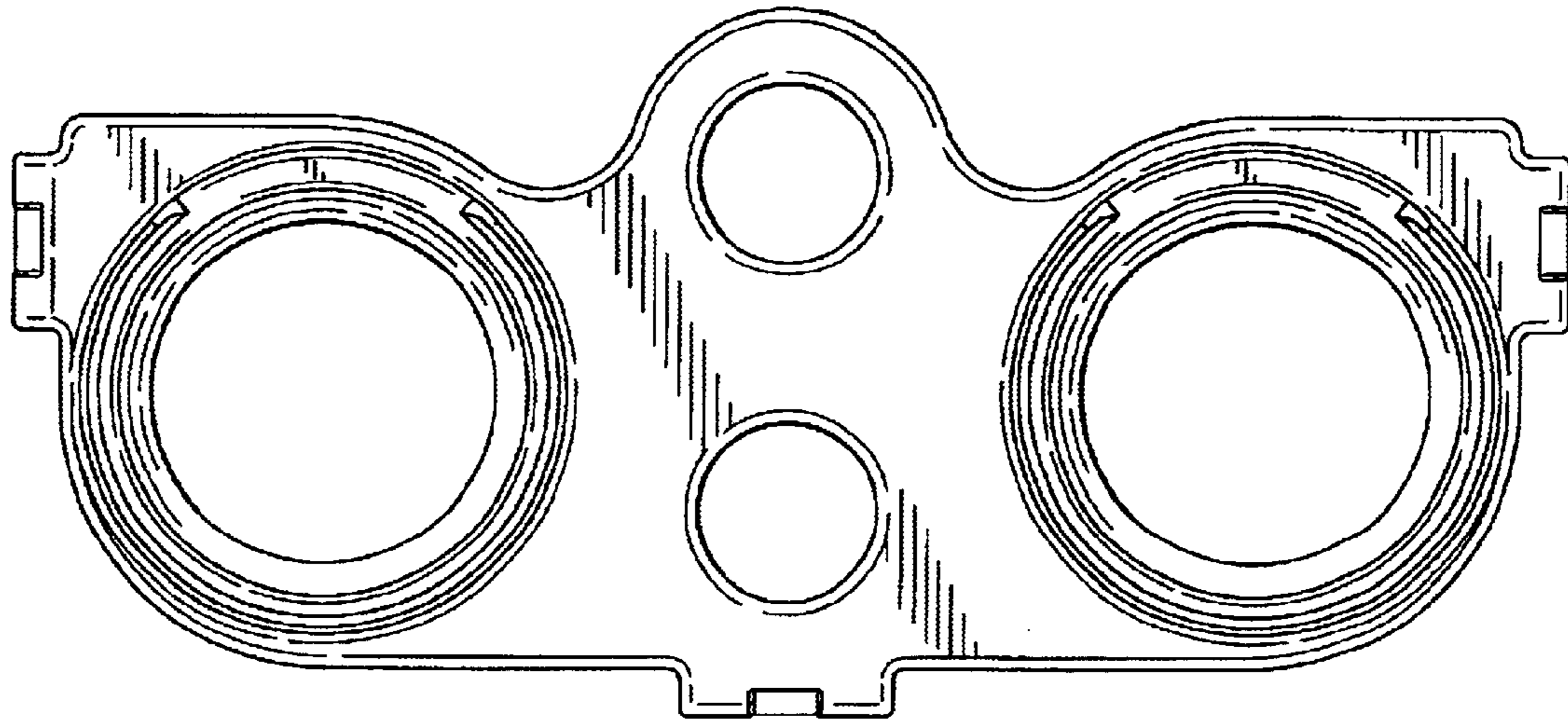


FIG. 2

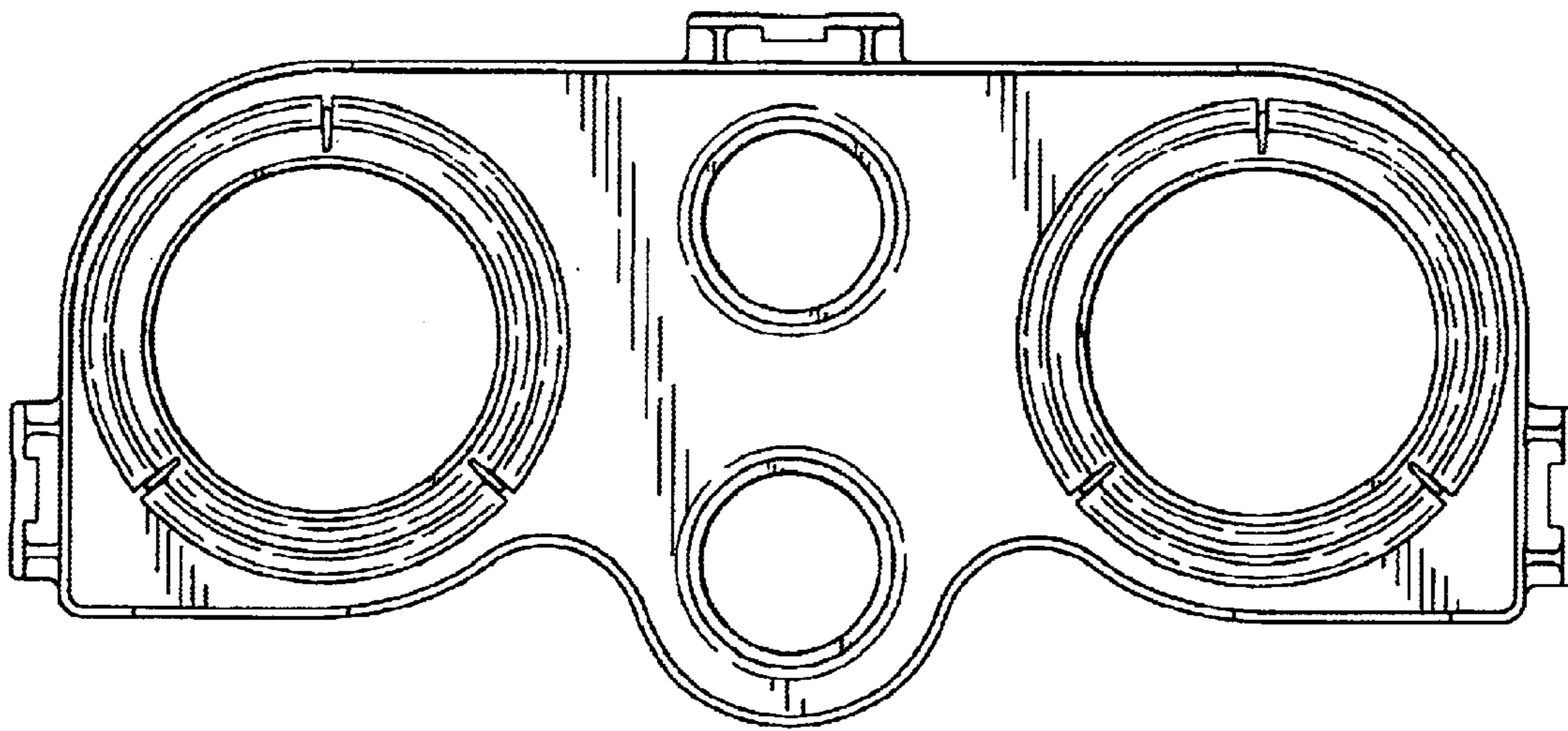


FIG. 3

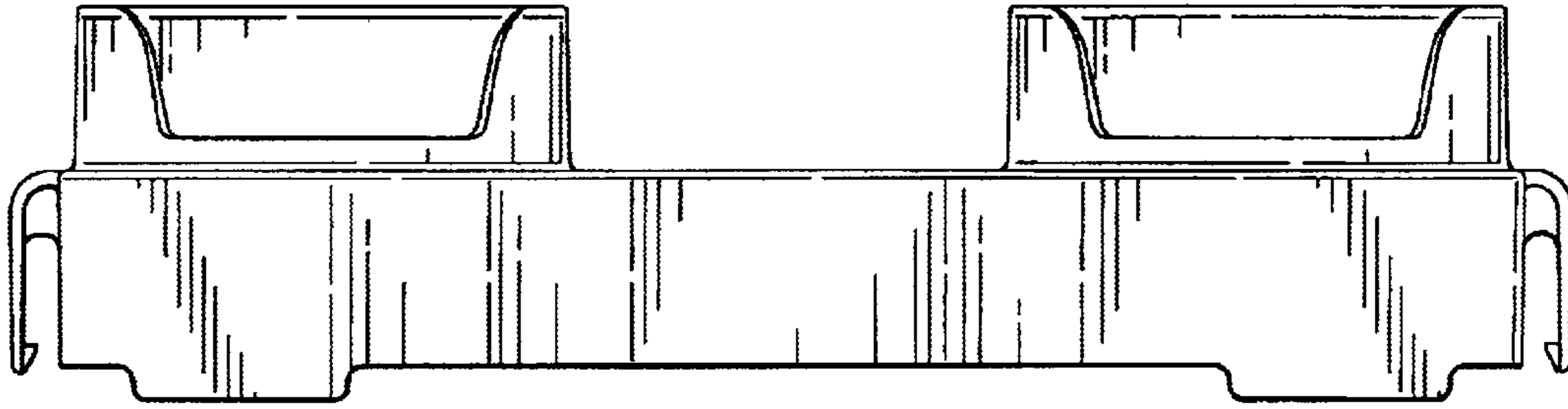


FIG. 4

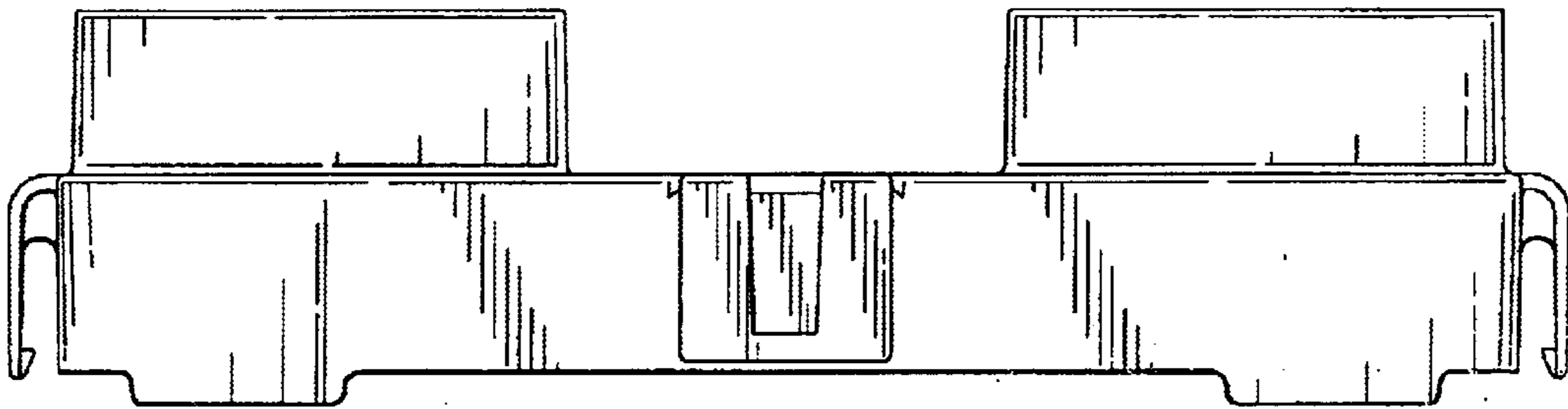


FIG. 5

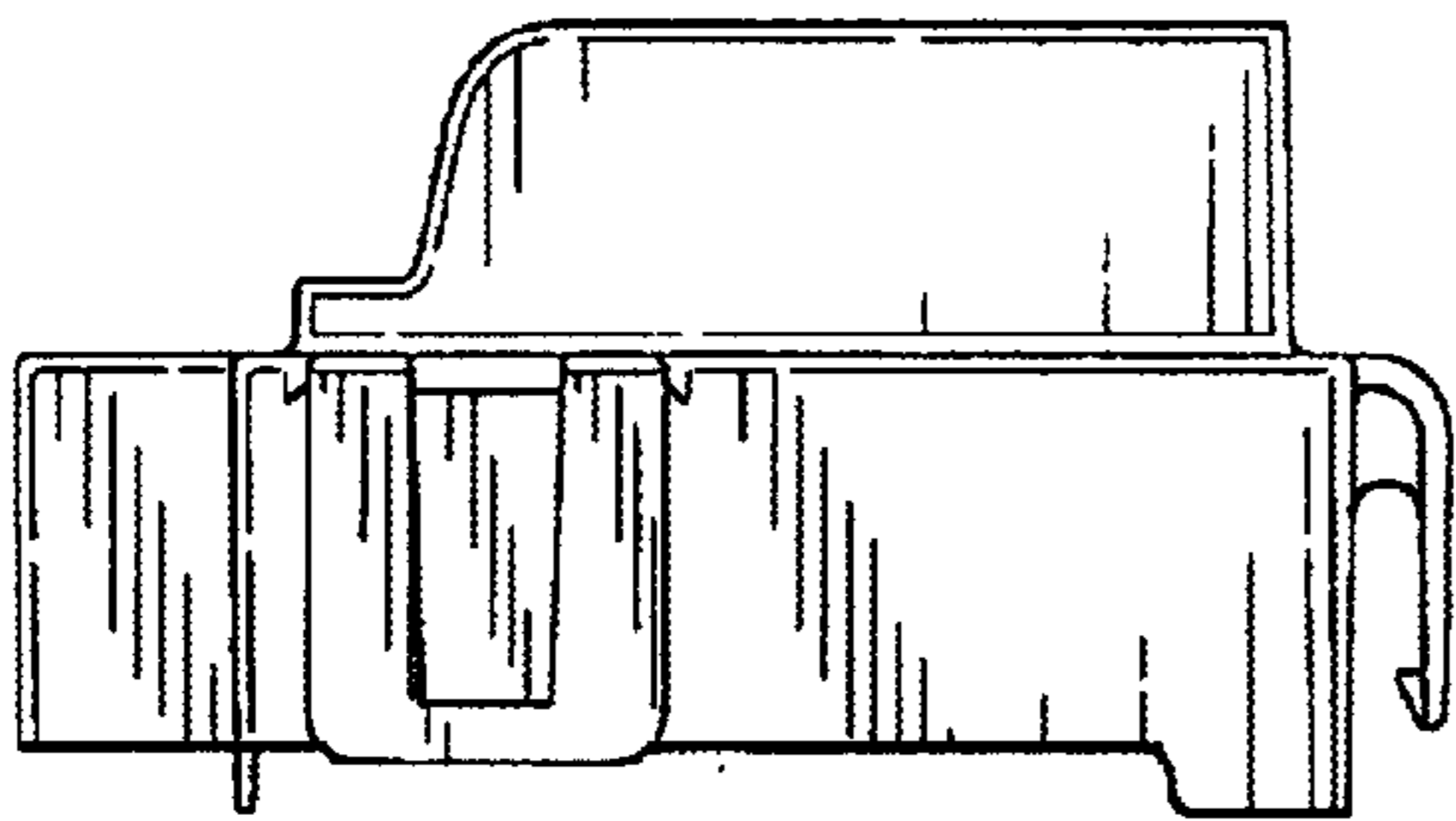


FIG. 6

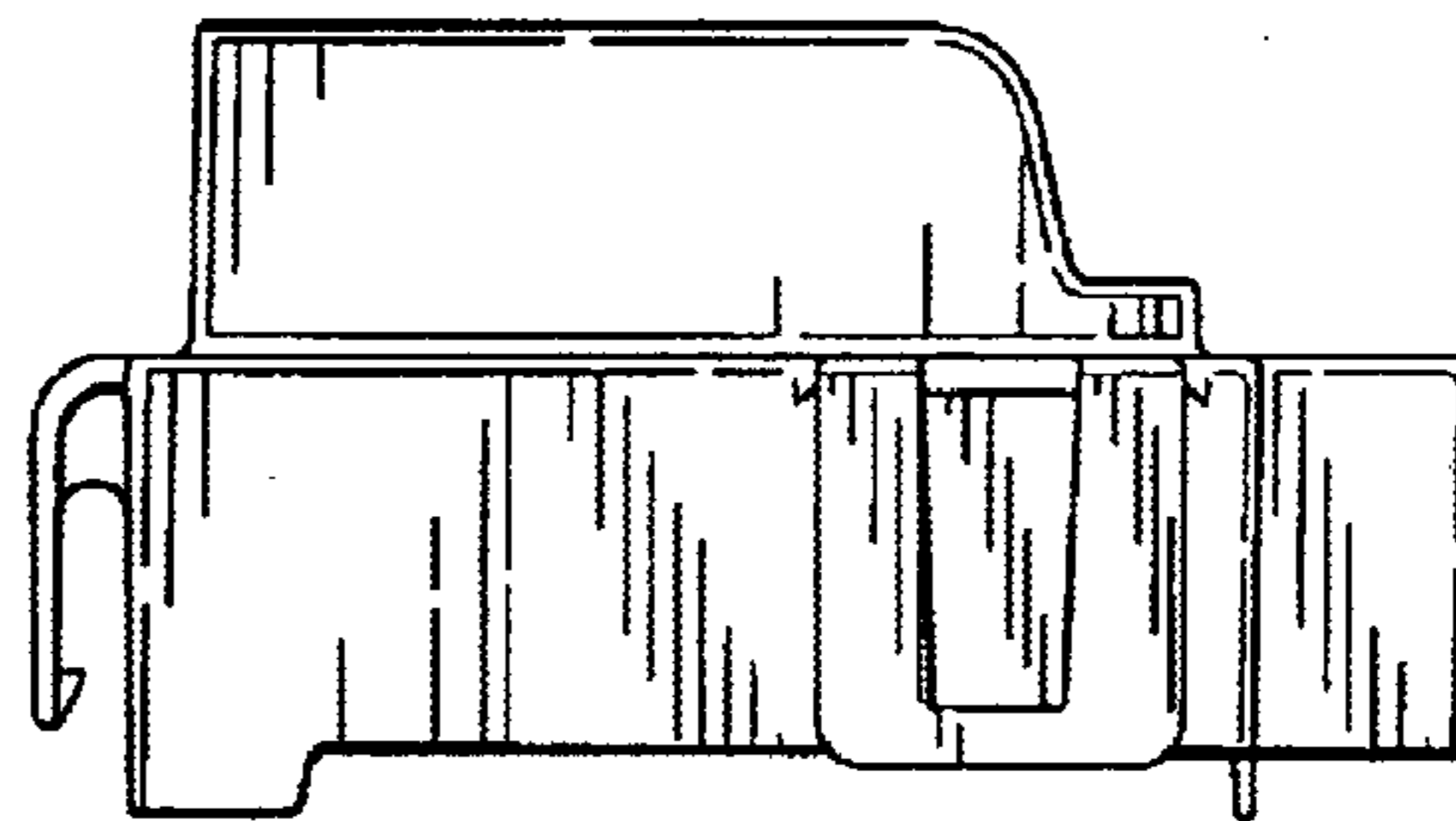


FIG. 7