

US00D496824S1

(12) **United States Design Patent**  
**Meshes**

(10) **Patent No.:** **US D496,824 S**  
(45) **Date of Patent:** **\*\* Oct. 5, 2004**

(54) **COFFEE GRINDER**

(76) Inventor: **James G. Meshes**, 1416 Estate La.,  
Glenview, IL (US) 60025

(\*\*) Term: **14 Years**

(21) Appl. No.: **29/192,252**

(22) Filed: **Oct. 21, 2003**

(51) **LOC (7) Cl.** ..... **31-00**

(52) **U.S. Cl.** ..... **D7/373**

(58) **Field of Search** ..... D7/373, 372, 374,  
D7/384, 309-310; 241/100, 249; 99/304,  
306, 286, 586

(56) **References Cited**

**U.S. PATENT DOCUMENTS**

608,085 A	*	7/1898	Straub	.....	241/249
D46,723 S	*	12/1914	Carson	.....	D7/373
D47,660 S	*	7/1915	Wear et al.	.....	D7/373
D233,123 S	*	10/1974	Rigamonti	.....	D7/372
D248,080 S		6/1978	Maejima	.....	D7/373
D248,159 S		6/1978	Maejima	.....	D7/373
D262,975 S		2/1982	Garriga	.....	D7/373
D290,332 S		6/1987	Foley	.....	D7/373
D295,359 S		4/1988	Nidiffer	.....	D7/373
D295,360 S		4/1988	Pandolfi	.....	D7/373

D296,181 S		6/1988	Schaaf et al.	.....	D7/373
D296,859 S		7/1988	Pandolfi	.....	D7/373
D353,075 S		12/1994	Littmann et al.	.....	D7/373
D361,919 S		9/1995	Fouquet	.....	D7/373
D365,245 S		12/1995	Joergensen	.....	D7/373
D410,171 S		5/1999	Lallemand	.....	D7/372
D420,248 S	*	2/2000	Uemura et al.	.....	D7/373
D423,870 S		5/2000	Pinney	.....	D7/373
D457,379 S		5/2002	Jorgensen	.....	D7/373
D488,024 S	*	4/2004	Li	.....	D7/373

\* cited by examiner

*Primary Examiner*—Catherine R. Oliver

(74) *Attorney, Agent, or Firm*—James P. Hanrath

(57) **CLAIM**

The ornamental design for a coffee grinder, as shown.

**DESCRIPTION**

FIG. 1 is a front perspective view of a coffee grinder showing my new design;

FIG. 2 is a front elevational view thereof;

FIG. 3 is a rear elevational view thereof;

FIG. 4 is a right side elevational view thereof;

FIG. 5 is a left side elevational view thereof;

FIG. 6 is a top plan view thereof; and,

FIG. 7 is a bottom elevational view thereof.

**1 Claim, 4 Drawing Sheets**

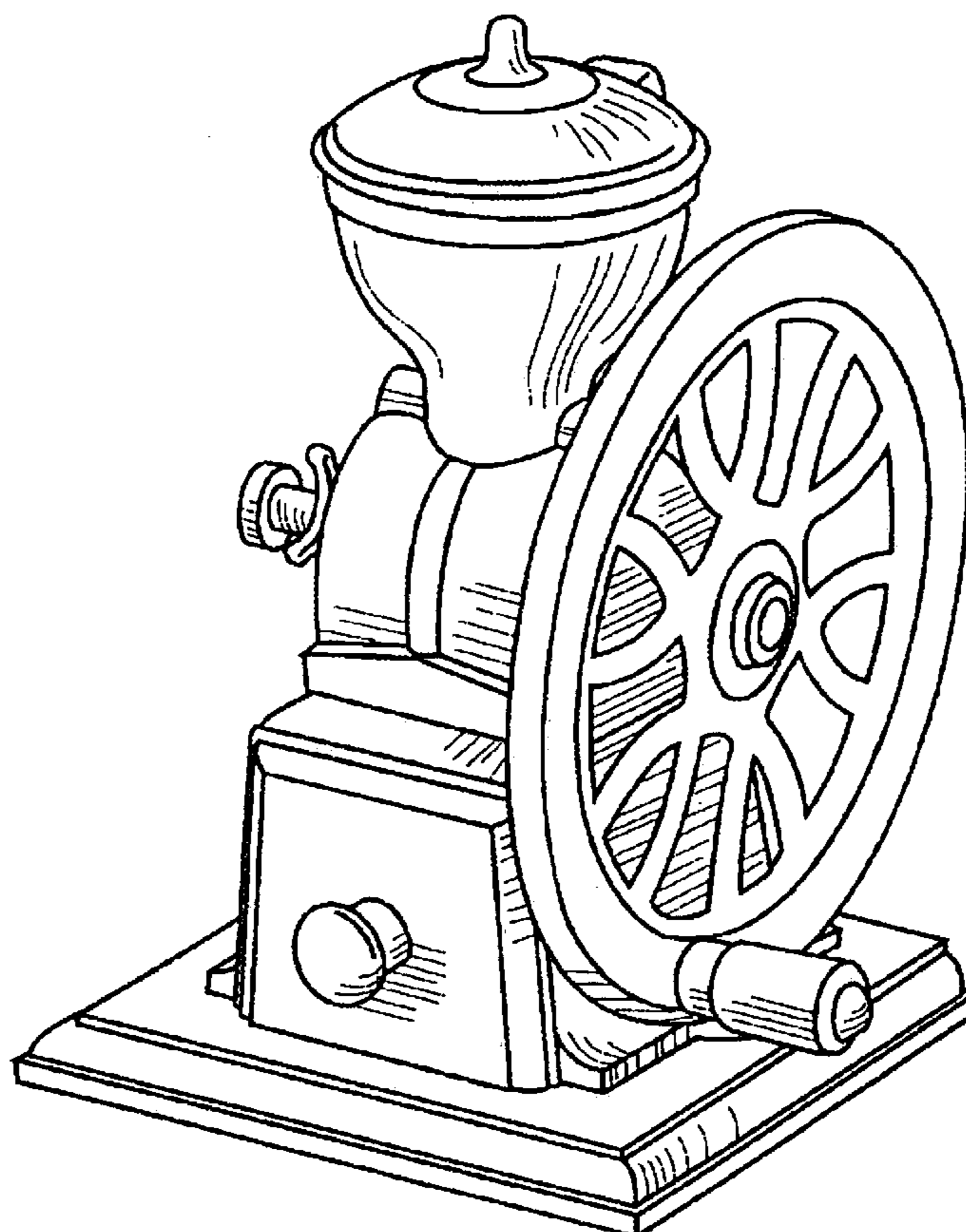
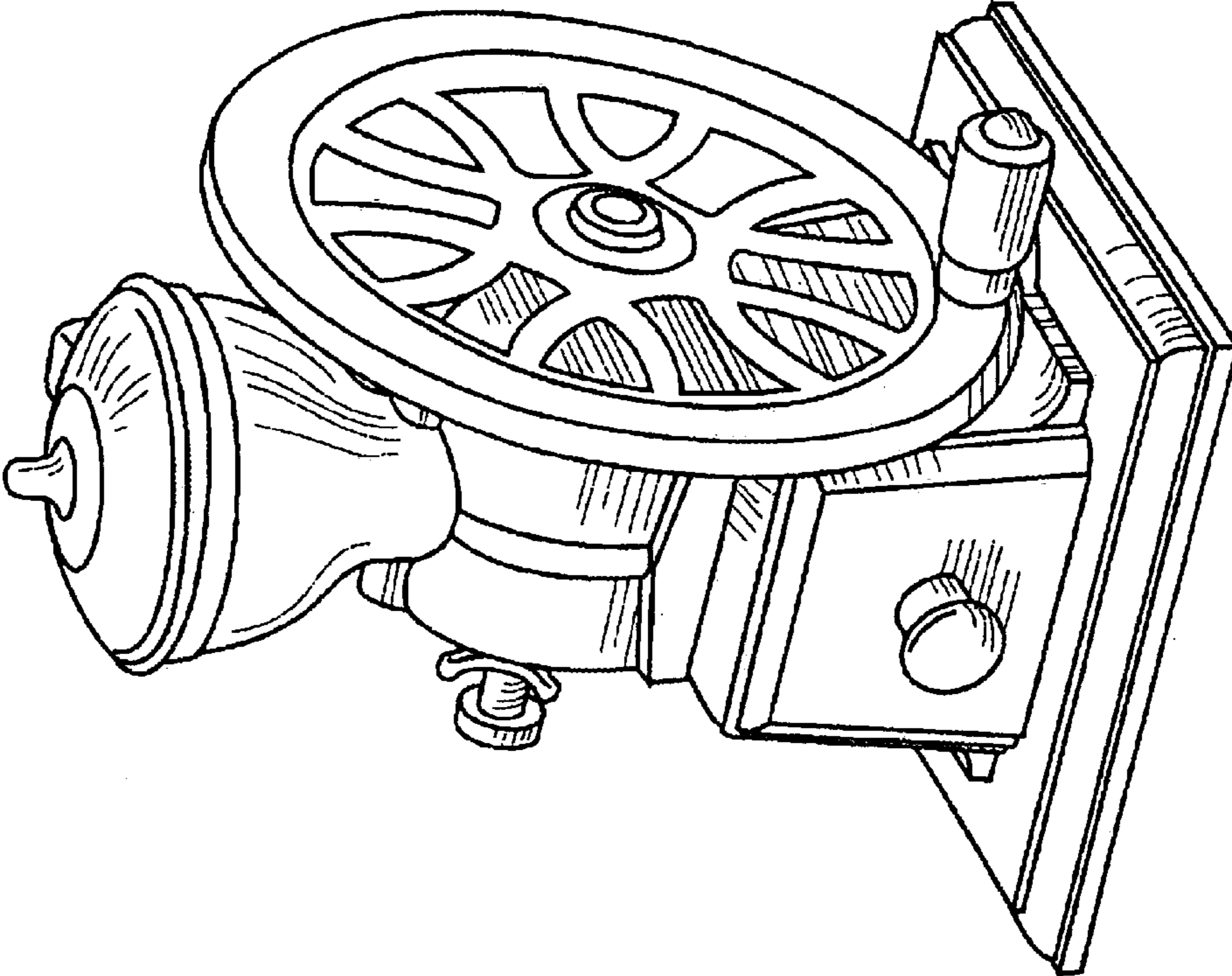
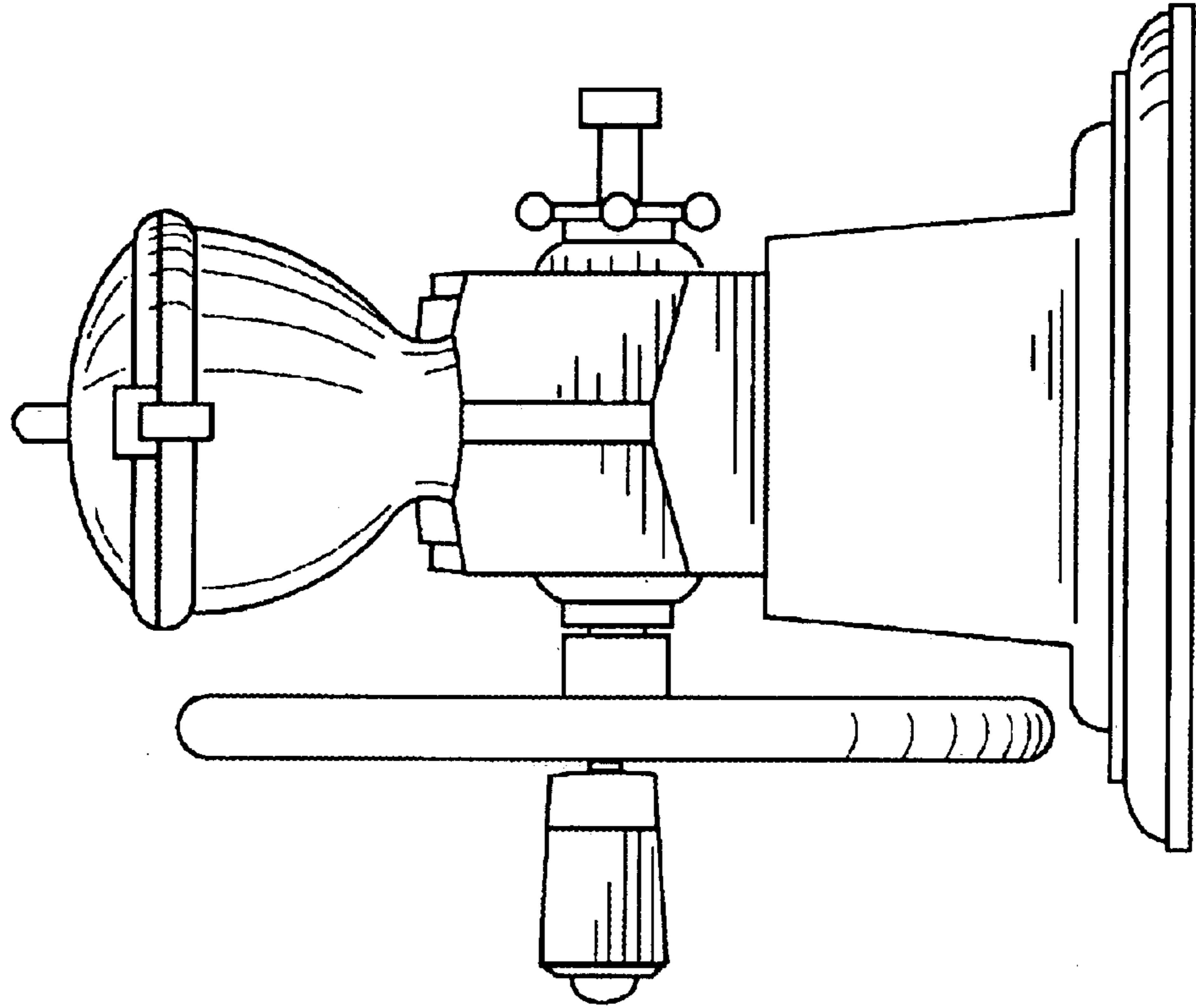


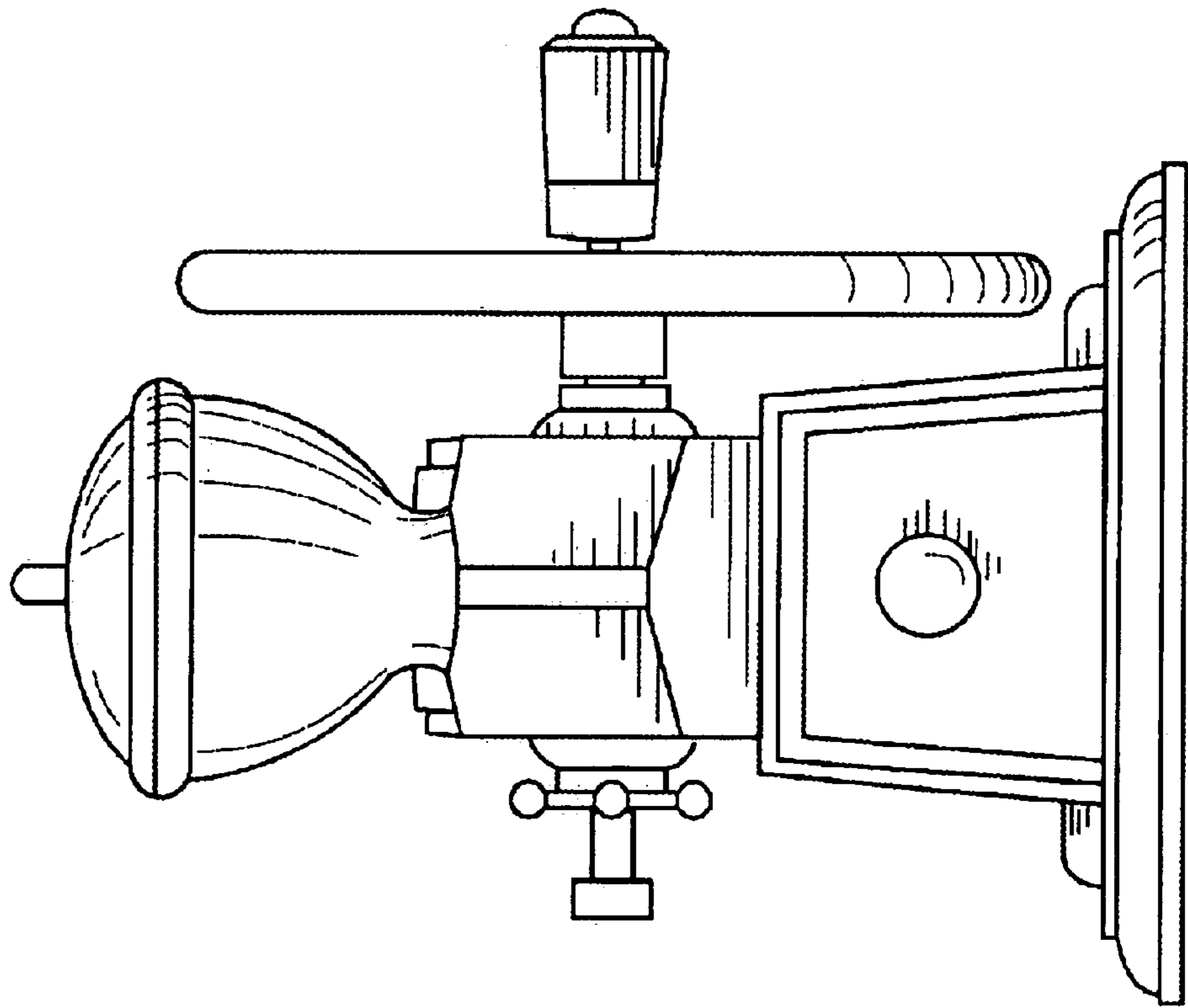
FIG. 1



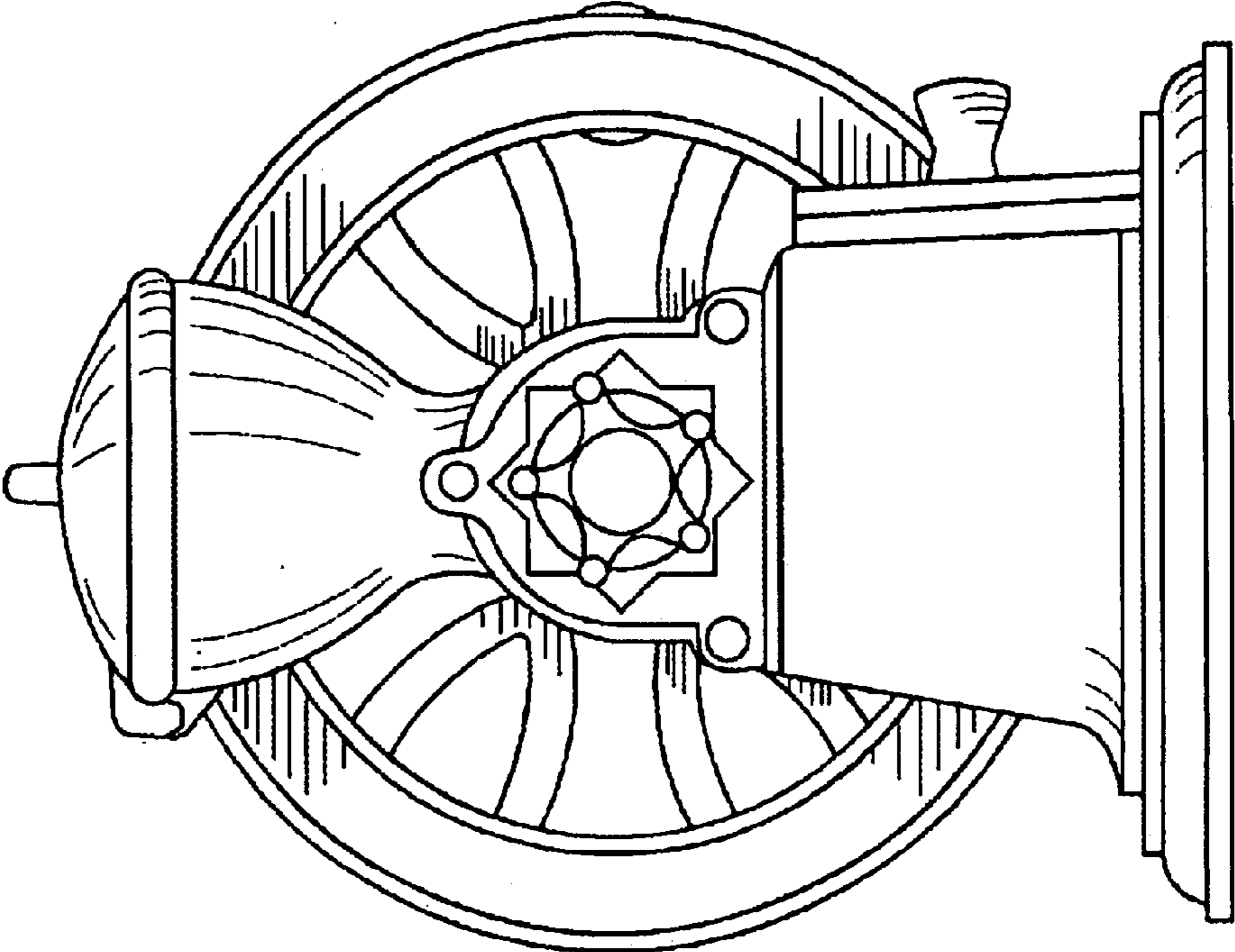
**FIG. 3**



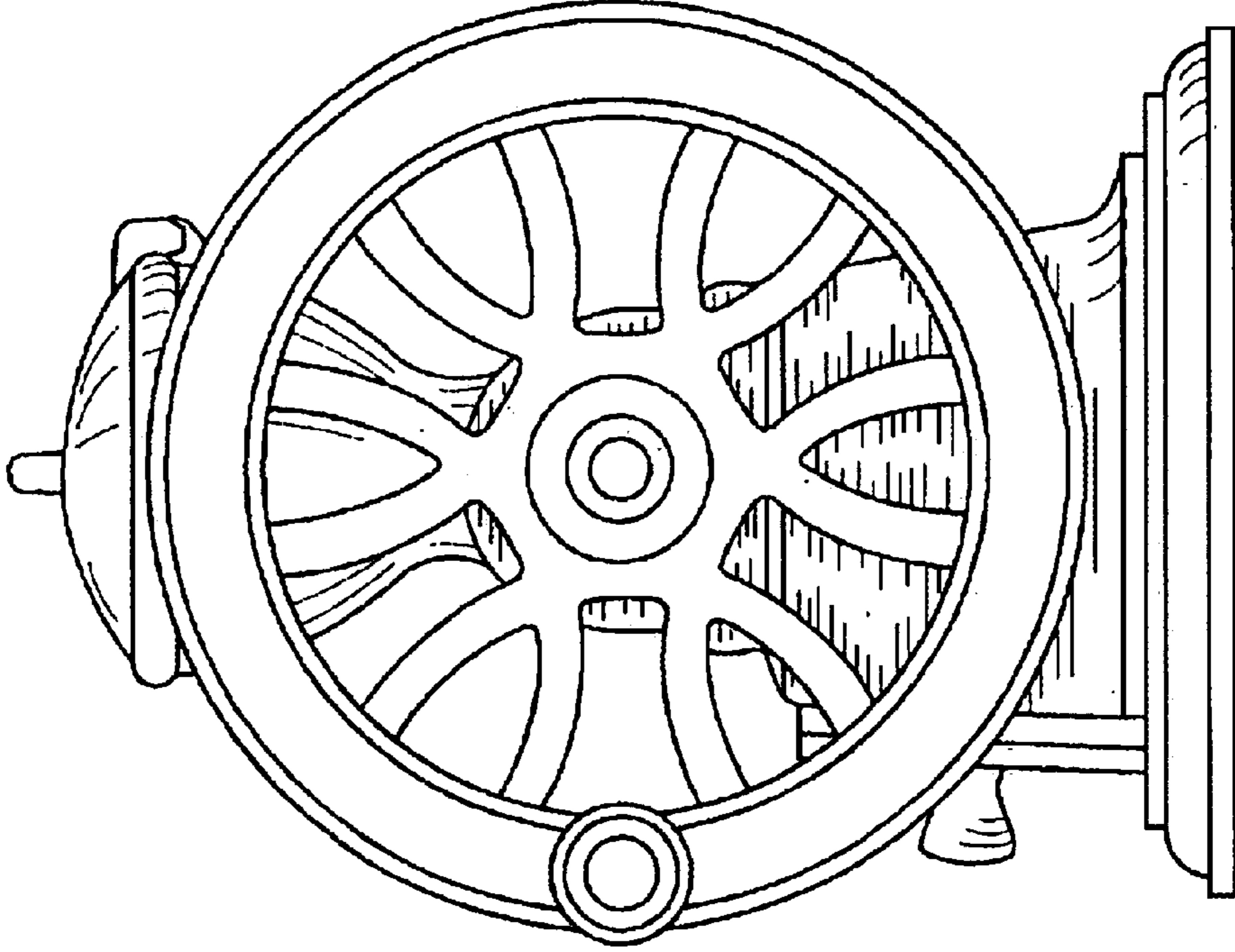
**FIG. 2**



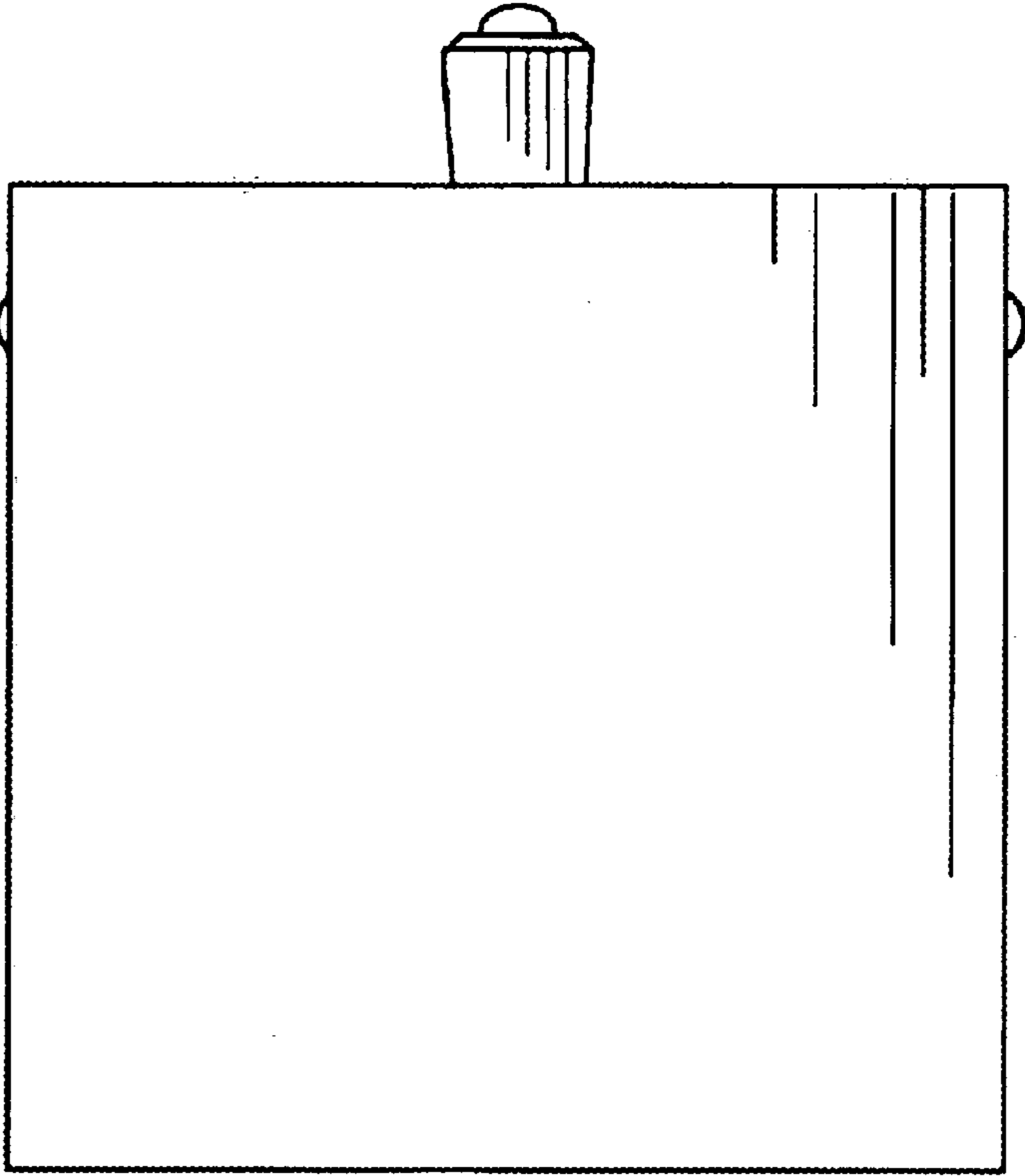
**FIG. 5**



**FIG. 4**



**FIG. 7**



**FIG. 6**

