

US00D496823S1

(12) **United States Design Patent**
Josancy

(10) **Patent No.:** **US D496,823 S**
(45) **Date of Patent:** **** Oct. 5, 2004**

(54) **FILTERING CONTAINER FOR FRYER**

6,557,462 B1 * 5/2003 Wang 99/472

(75) **Inventor:** **Luc Josancy**, Sainte-Colombe (FR)

* cited by examiner

(73) **Assignee:** **SEB**, Selongey (FR)

Primary Examiner—Caron D. Veynar

(**) **Term:** **14 Years**

(74) *Attorney, Agent, or Firm*—Browdy and Neimark, P.L.L.C.

(21) **Appl. No.:** **29/185,149**

(57) **CLAIM**

(22) **Filed:** **Jun. 24, 2003**

The ornamental design for a filtering container for fryer, as shown.

(30) **Foreign Application Priority Data**

DESCRIPTION

Dec. 24, 2002 (FR) 02 7859

(51) **LOC (7) Cl.** **07-02**

FIG. 1 is a front elevational view of a filtering container for fryer in accordance with the present design; FIG. 2 is a rear elevational view thereof; FIG. 3 is a left side elevational view thereof; FIG. 4 is a right side elevational view thereof; FIG. 5 is a top plan view thereof; FIG. 6 is a bottom plan view thereof; FIG. 7 is a perspective view thereof in a first state with a cover closed; and, FIG. 8 is a perspective view thereof in a second state with the cover open.

(52) **U.S. Cl.** **D7/360**

(58) **Field of Search** D7/500, 323, 354-361, D7/368, 667, 387, 412; 99/451, 454, 472, 495, 510, 536; 220/573.1-574, 212, 214, 912

(56) **References Cited**

U.S. PATENT DOCUMENTS

5,771,792 A * 6/1998 Chen 99/536
D471,757 S * 3/2003 Kitamura et al. D7/360

1 Claim, 4 Drawing Sheets

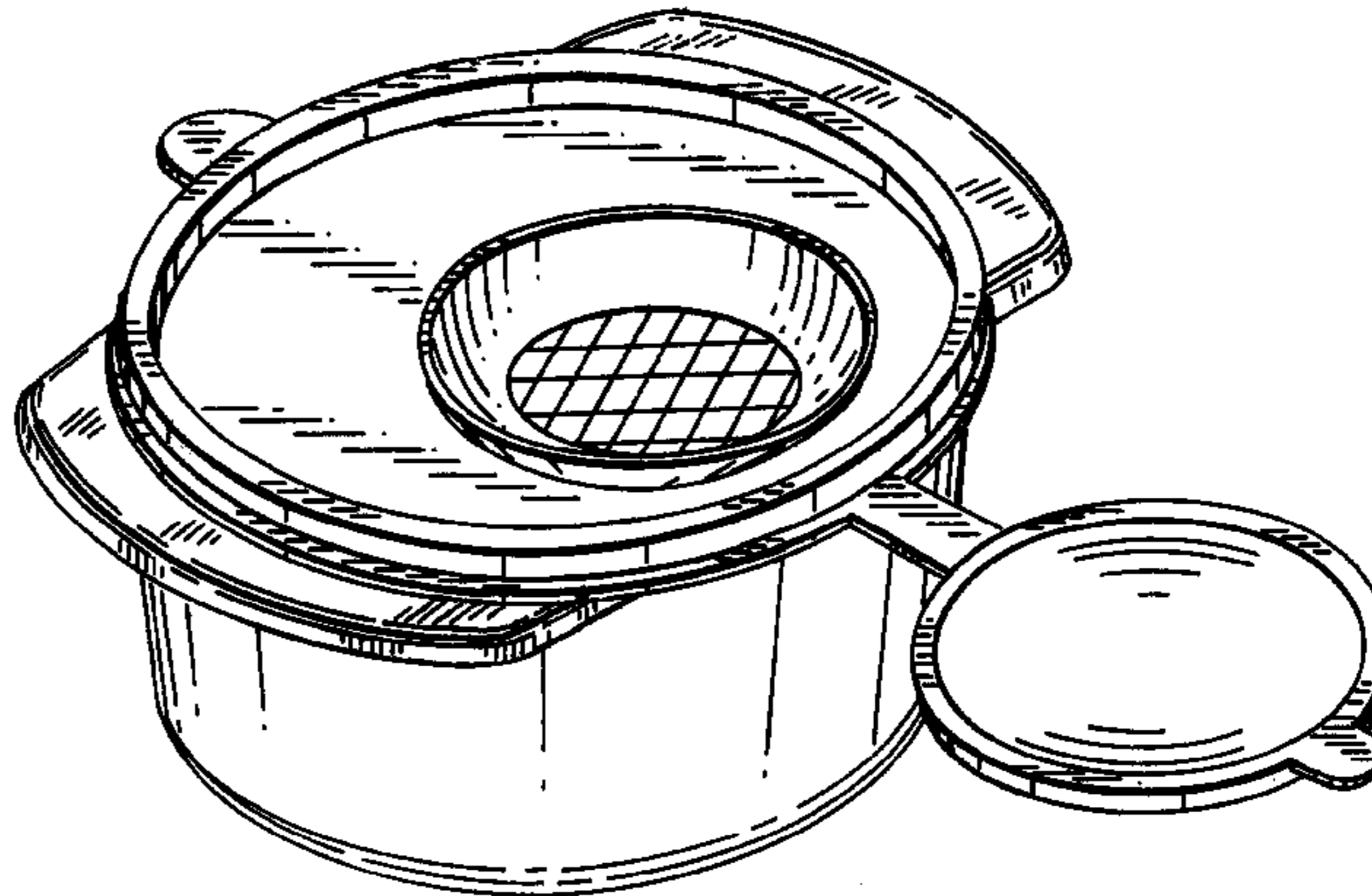
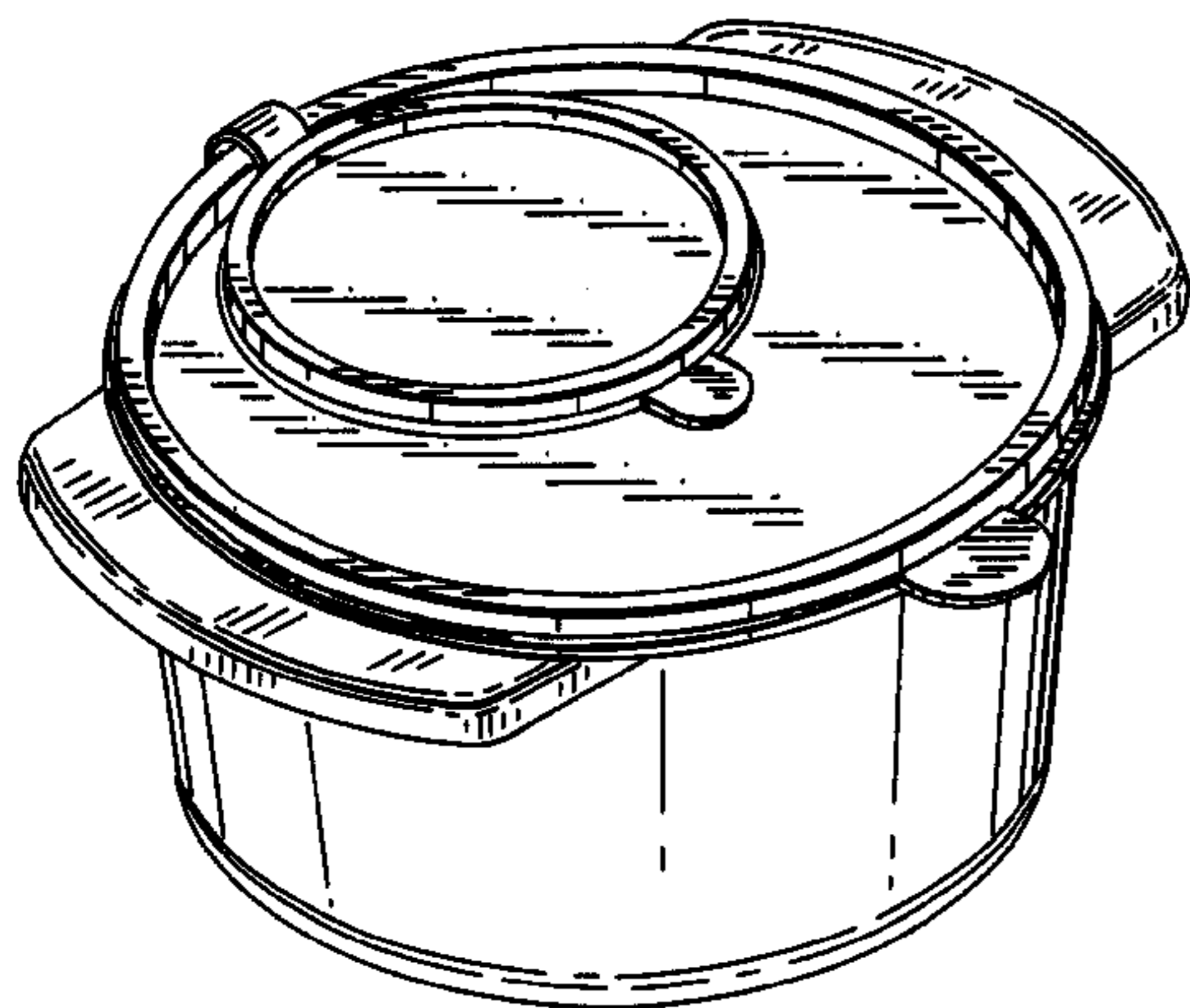


FIG. 1

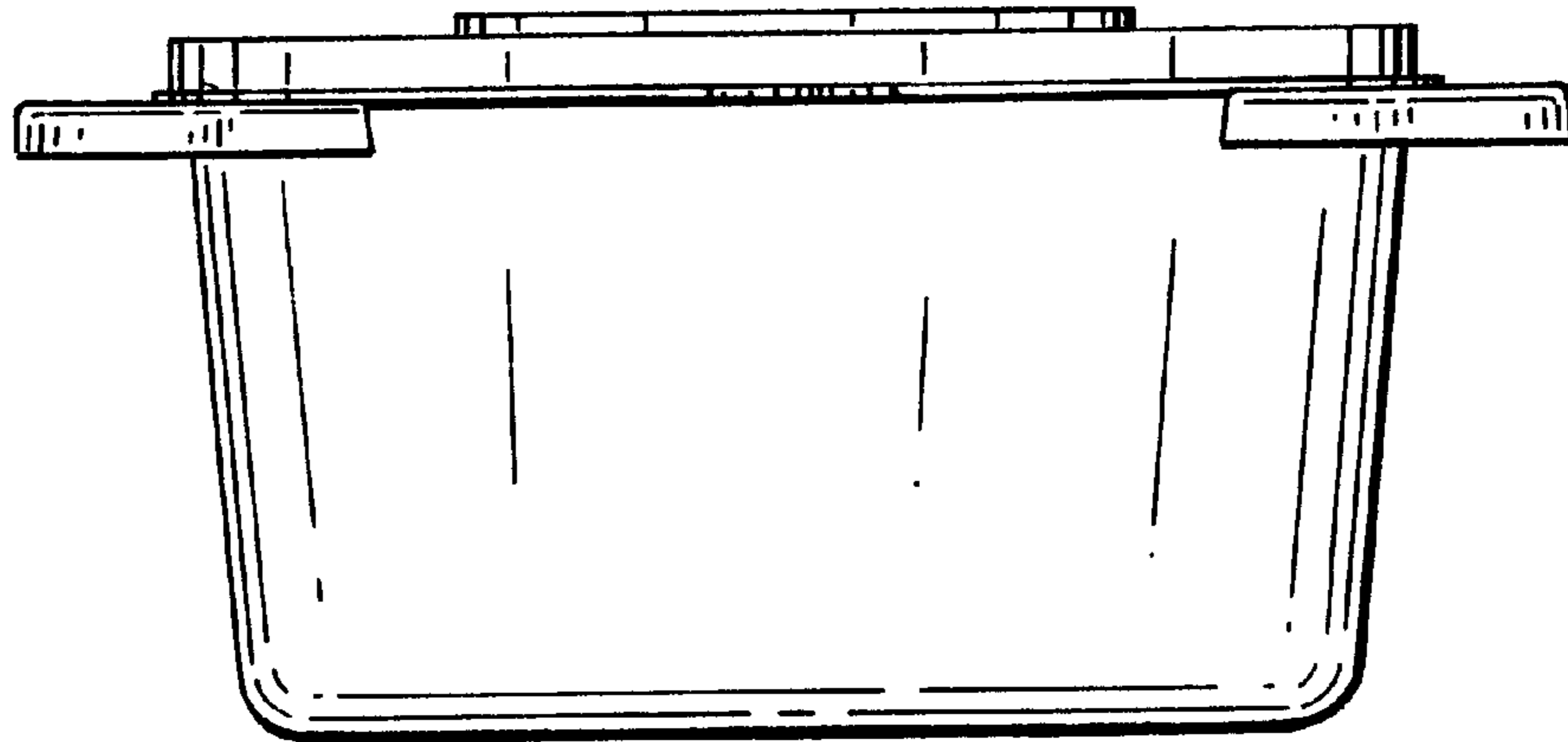


FIG. 2

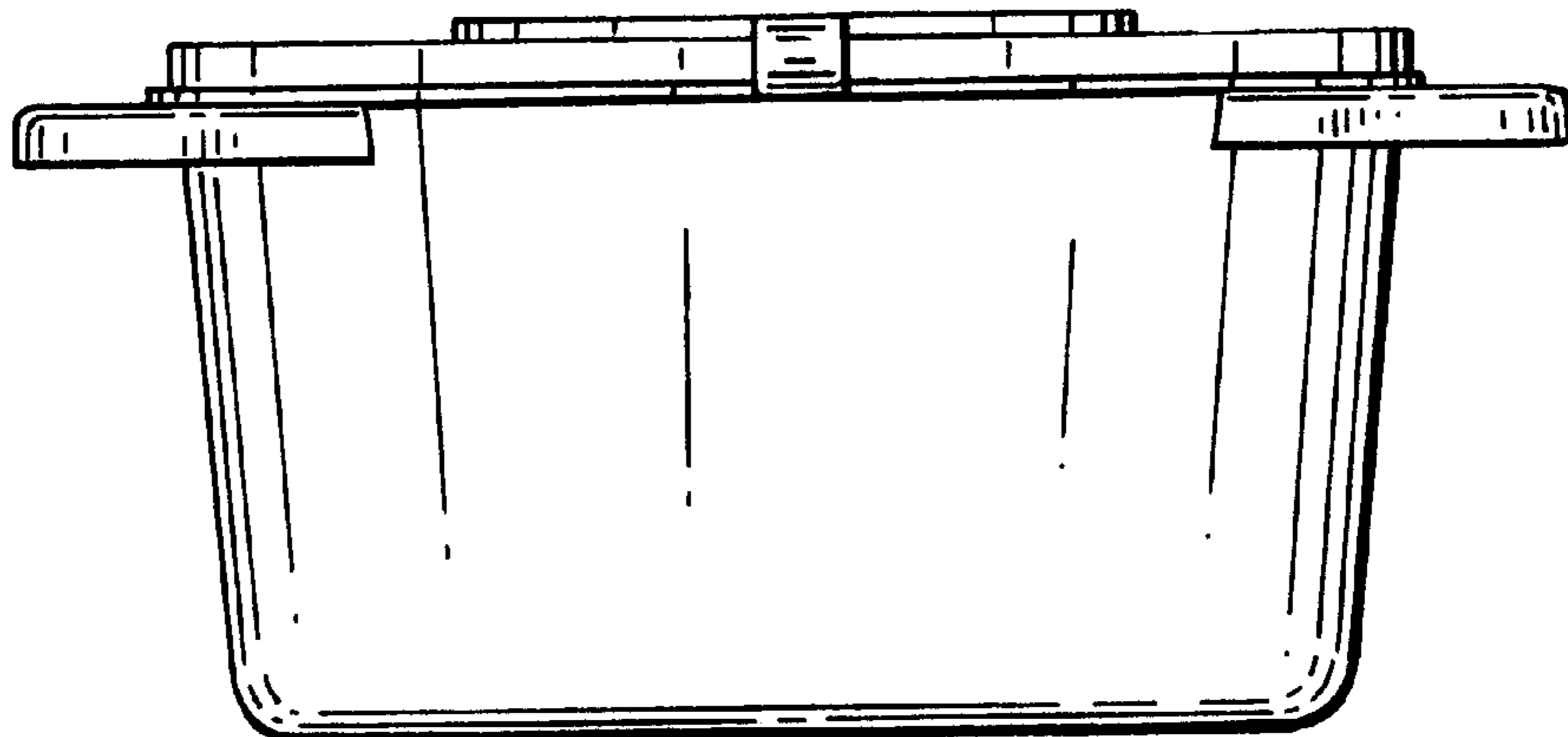


FIG. 3

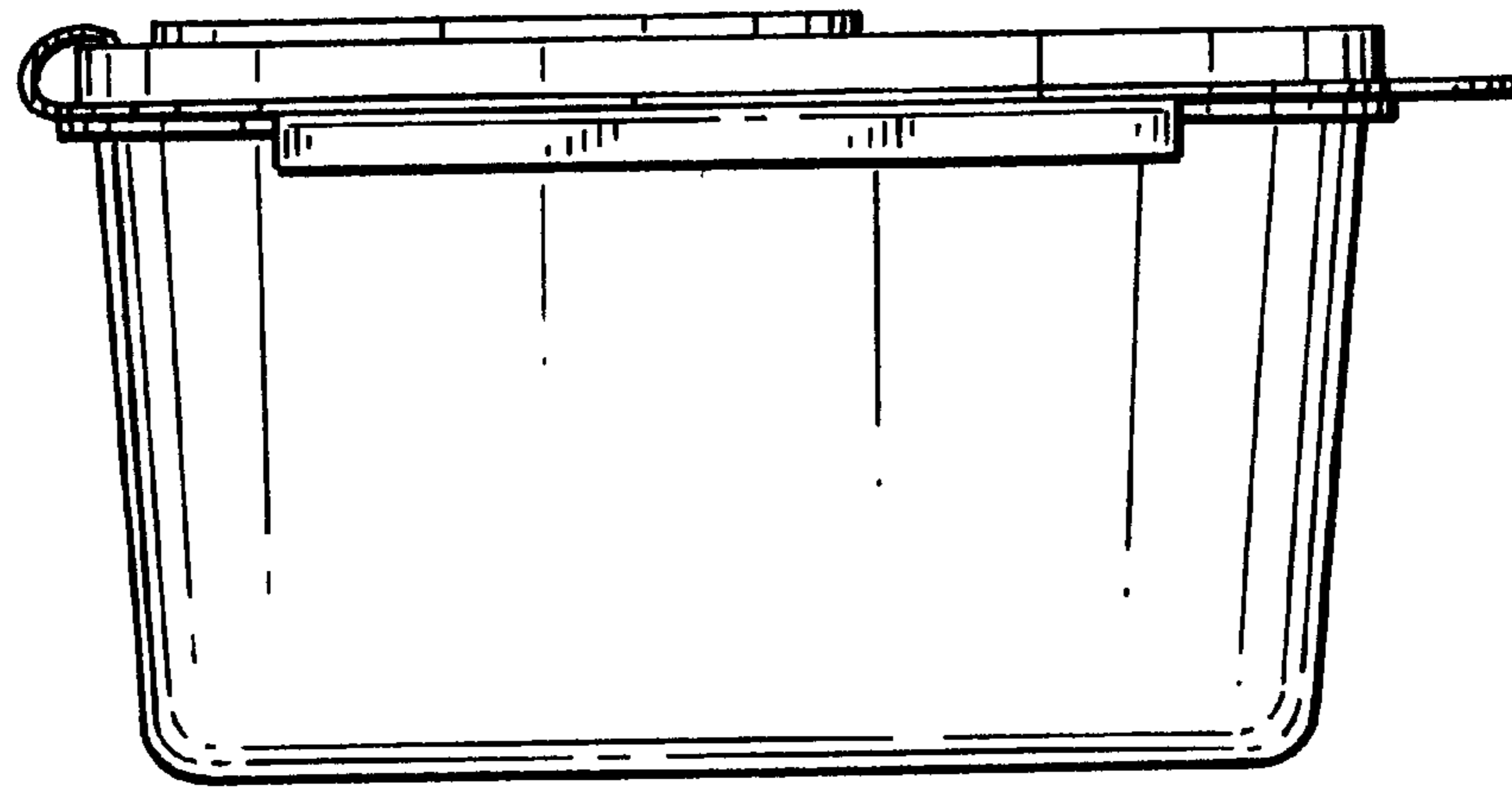


FIG. 4

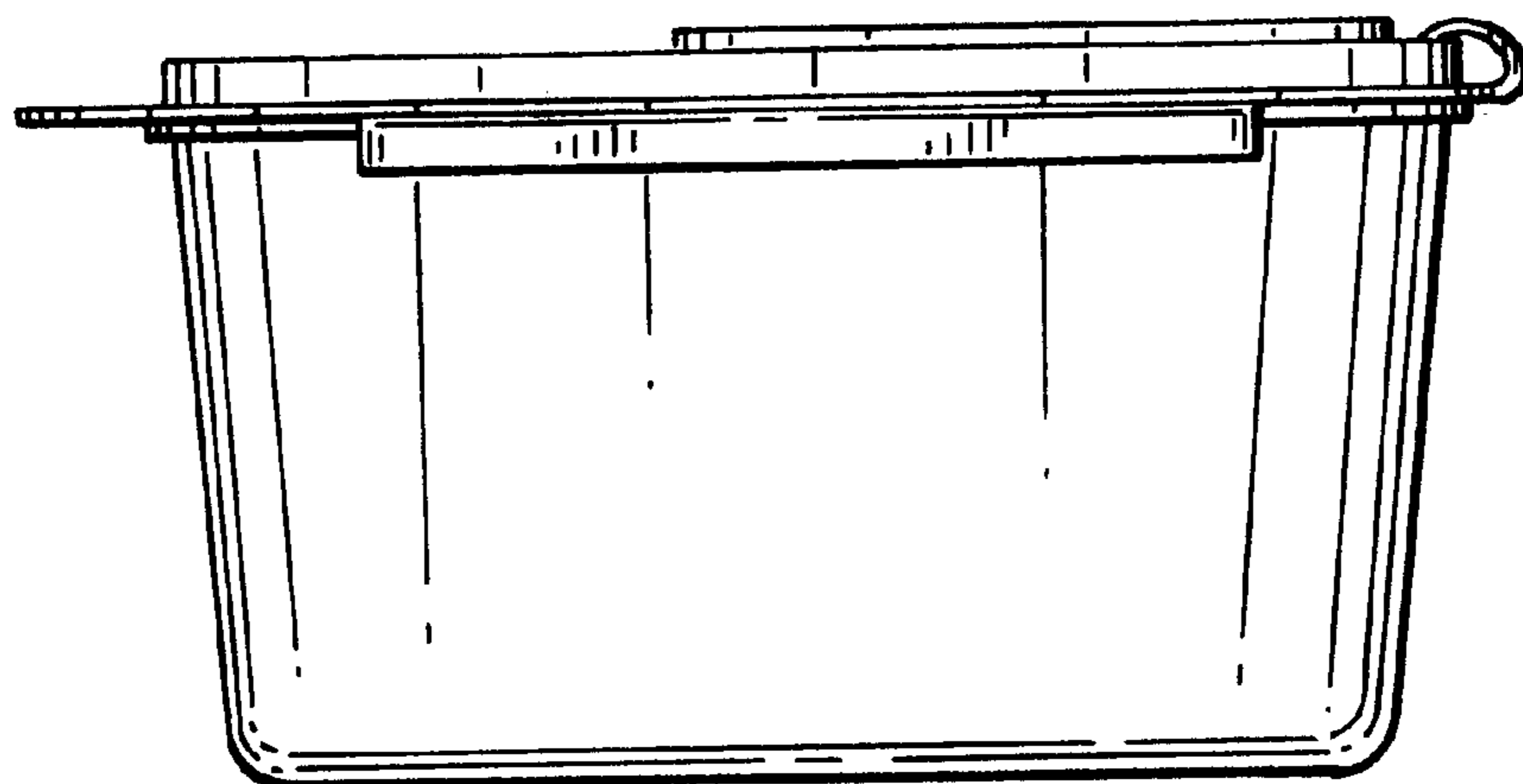


FIG. 5

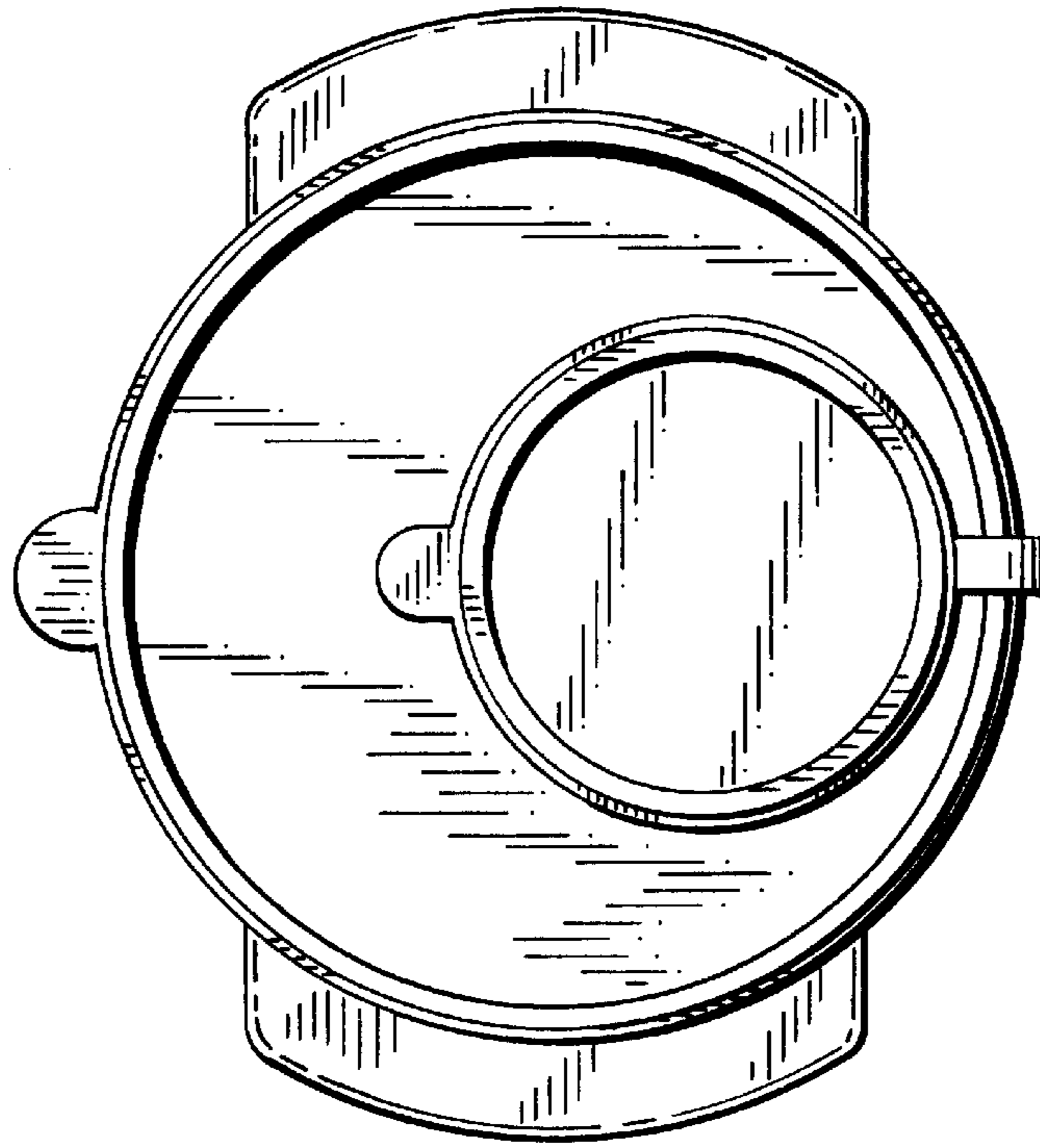


FIG. 6

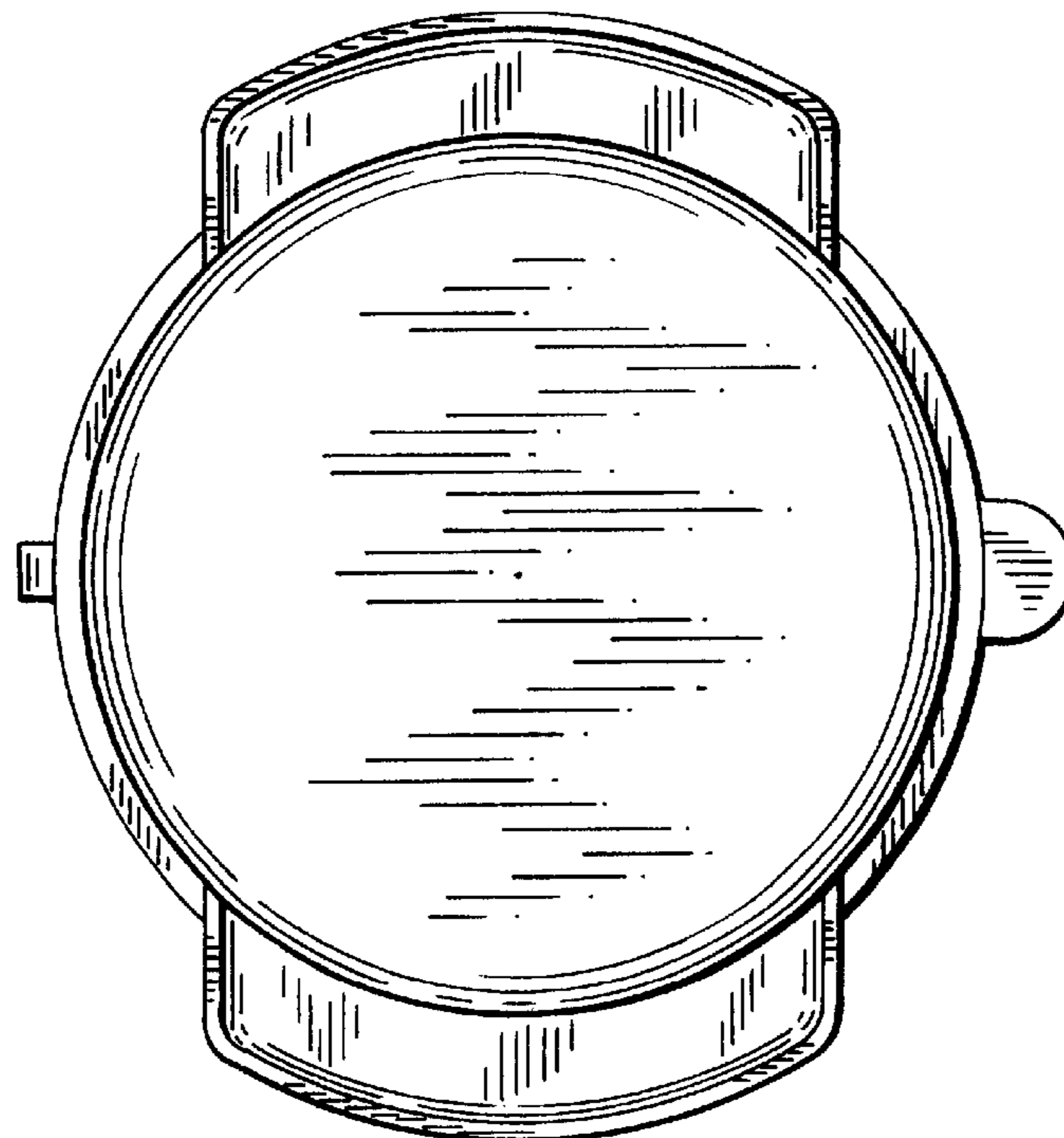


FIG. 7

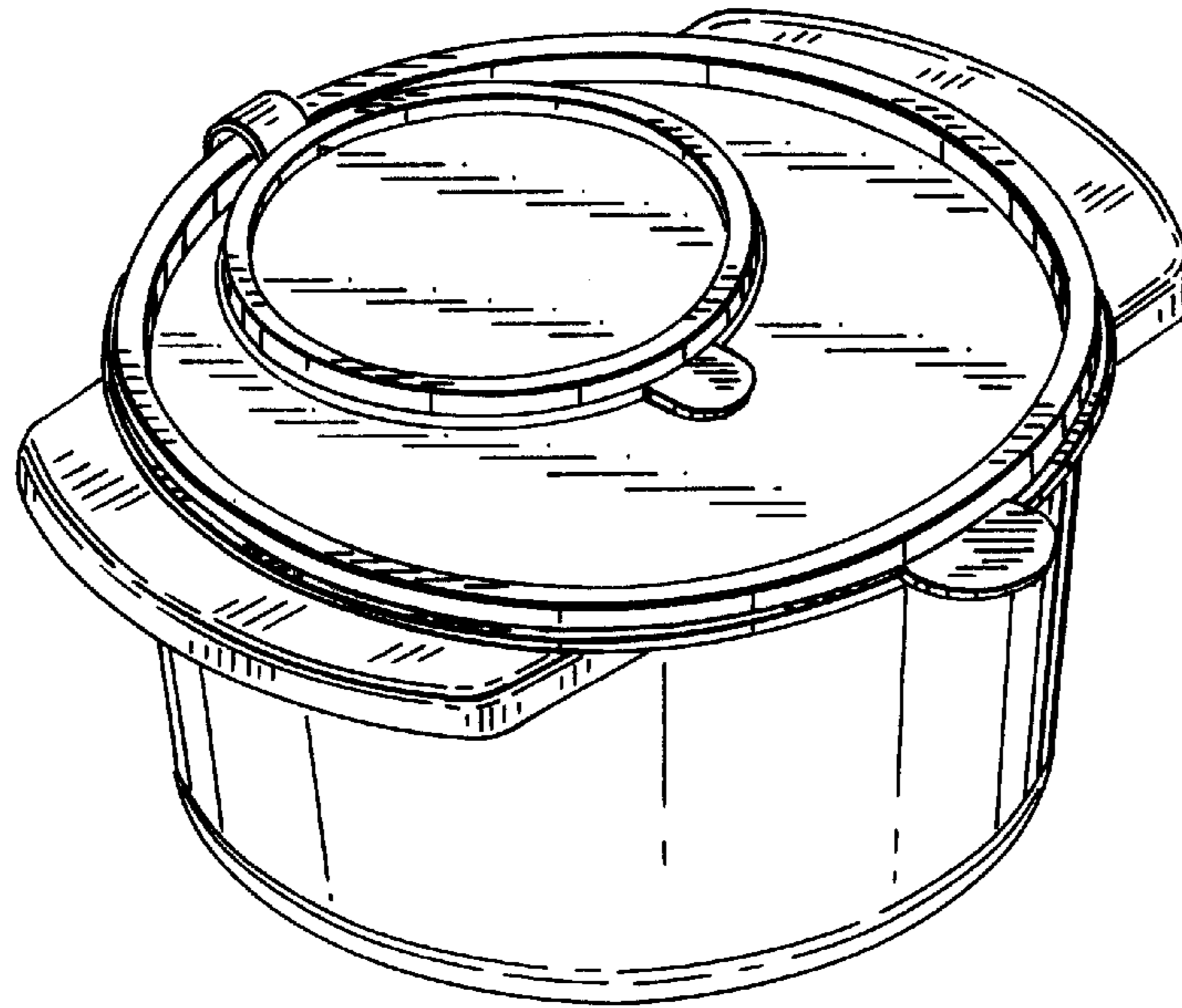


FIG. 8

