

US00D496822S1

(12) **United States Design Patent**  
**Currie**

(10) **Patent No.:** **US D496,822 S**  
(45) **Date of Patent:** **\*\* Oct. 5, 2004**

(54) **DEEP FAT FRYER**

(75) **Inventor:** **Neil Anthony Currie,**  
Stourport-on-Severn (GB)  
(73) **Assignee:** **3rd Angle (U.K.) Ltd.,** Shropshire  
(GB)  
(\*\*) **Term:** **14 Years**

(21) **Appl. No.:** **29/174,390**  
(22) **Filed:** **Jan. 17, 2003**

(30) **Foreign Application Priority Data**

Jul. 18, 2002 (GB) ..... 3005408  
Dec. 27, 2002 (DE) ..... 402 10 763

(51) **LOC (7) Cl.** ..... **07-02**  
(52) **U.S. Cl.** ..... **D7/354**  
(58) **Field of Search** ..... D7/323, 354-361,  
D7/350.1-350.4; 99/324-336, 339, 340,  
357, 403-418

(56) **References Cited**

**U.S. PATENT DOCUMENTS**

5,249,510 A \* 10/1993 Rozak et al. .... 99/336  
D428,563 S \* 7/2000 Russett et al. .... D7/350.4  
D481,581 S \* 11/2003 Pearlman et al. .... D7/323

**FOREIGN PATENT DOCUMENTS**

EP 1025788 A1 \* 8/2000 ..... A47J/37/12  
GB 3005407 \* 7/2002

**OTHER PUBLICATIONS**

Perspective view taken from Design Registration GB 2087247, published Dec. 12, 1999.  
Perspective view taken from Design Registration GB 2097800, published Dec. 19, 2000.  
Perspective view taken from Design Registration GB 2102245, published Jun. 19, 2001.  
Perspective view taken from Design Registration GB 2103838, published Aug. 30, 2001.  
Perspective view taken from Design Registration GB 2105011, published Oct. 10, 2001.

\* cited by examiner

*Primary Examiner*—Caron D. Veynar  
(74) *Attorney, Agent, or Firm*—Bacon & Thomas, PLLC

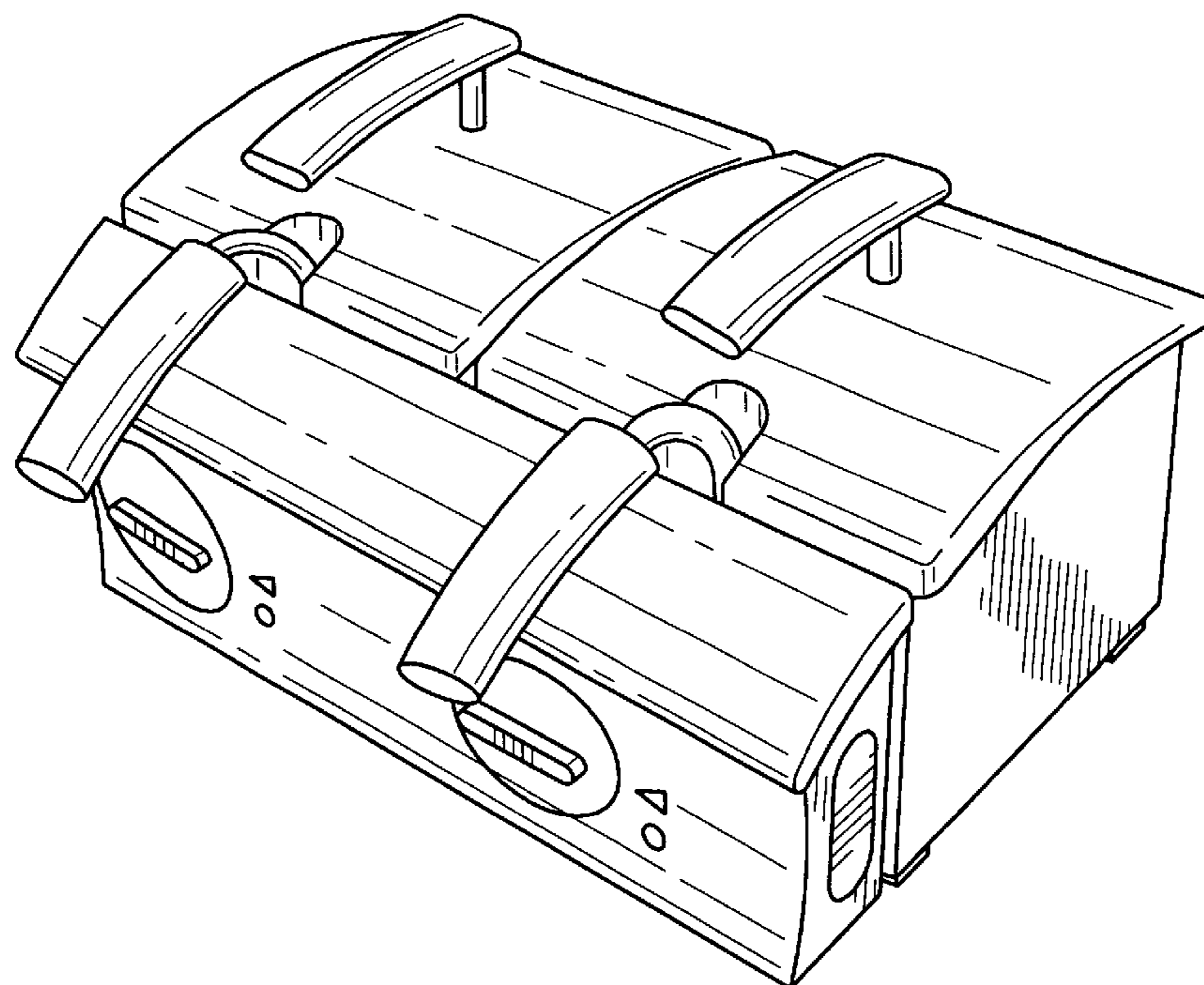
(57) **CLAIM**

The ornamental design for a deep fat fryer, as shown and described.

**DESCRIPTION**

FIG. 1 is a top right perspective view of a deep fat fryer showing my new design;  
FIG. 2 is a top plan view thereof;  
FIG. 3 is a front elevational view thereof;  
FIG. 4 is a left side elevational view thereof;  
FIG. 5 is a right side elevational view thereof; and,  
FIG. 6 is a rear elevational view thereof.

**1 Claim, 3 Drawing Sheets**



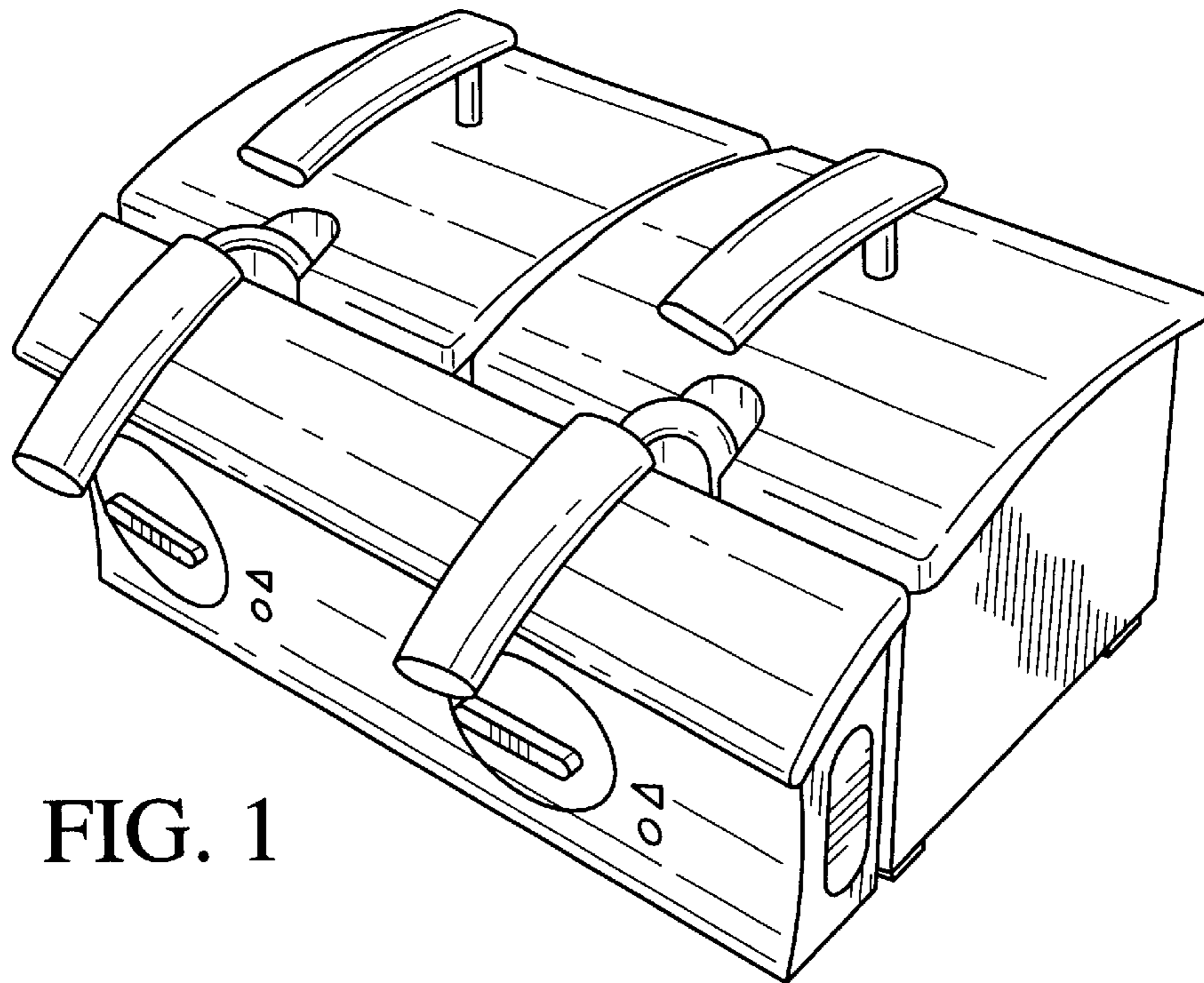


FIG. 1

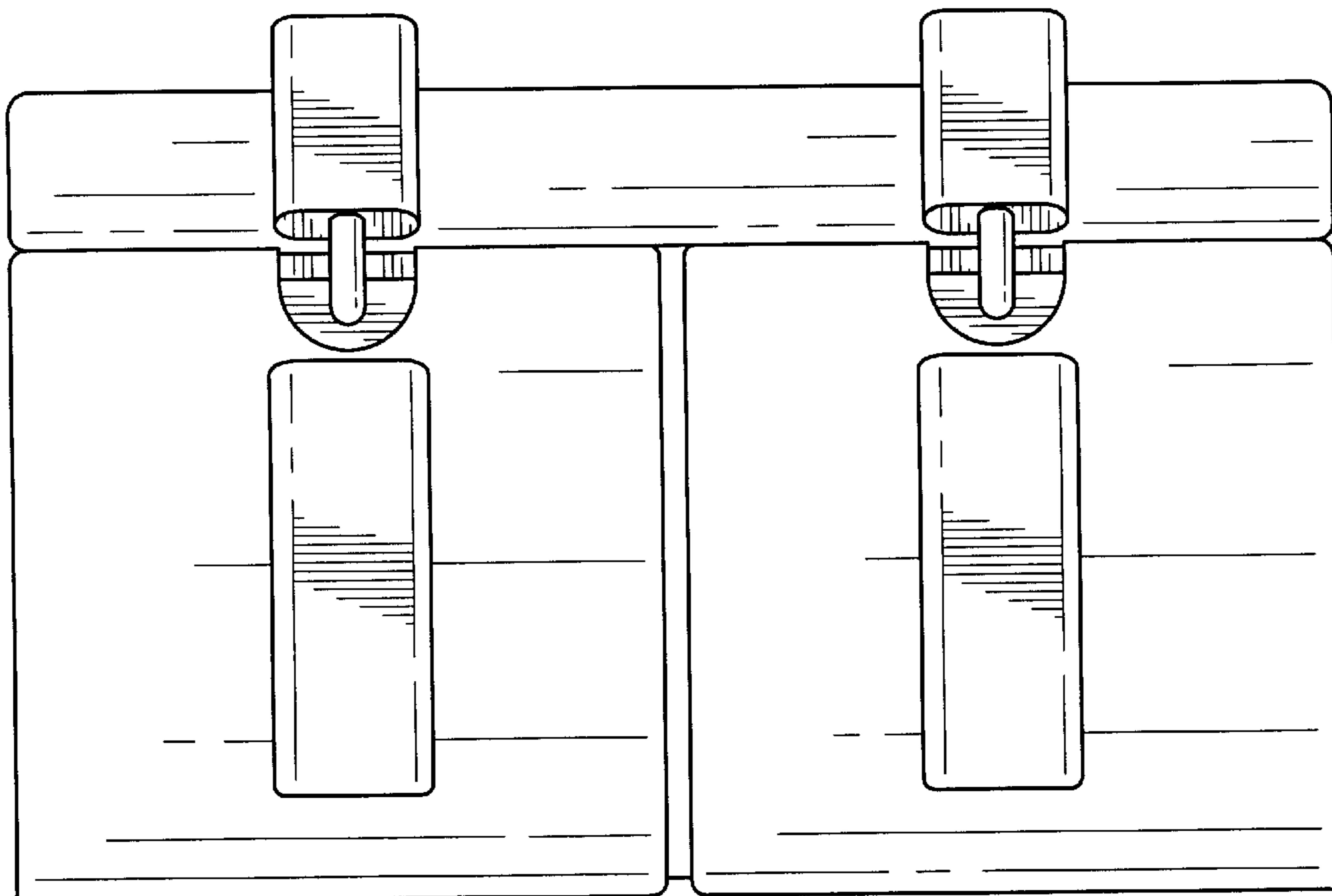


FIG. 2

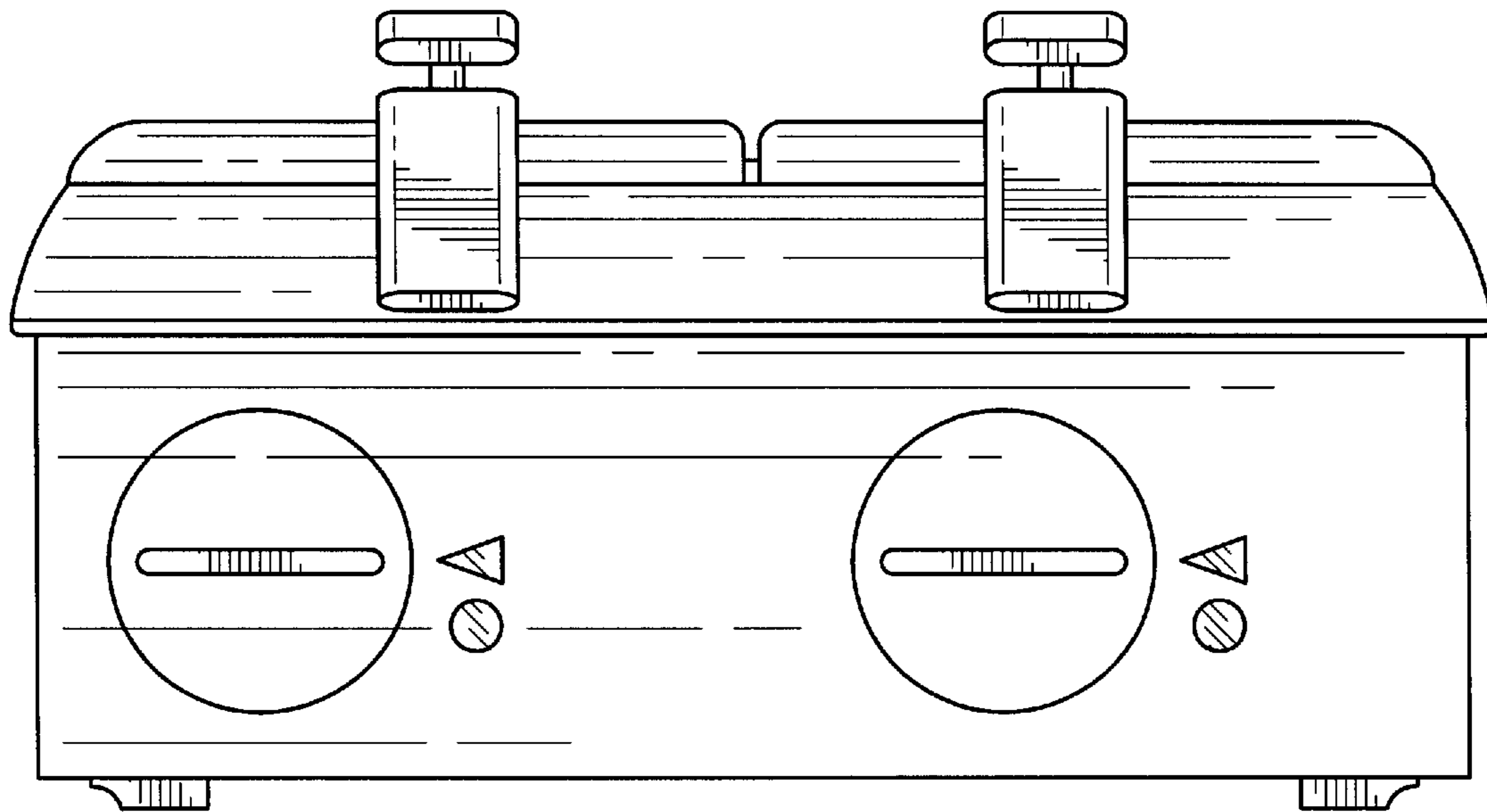


FIG. 3

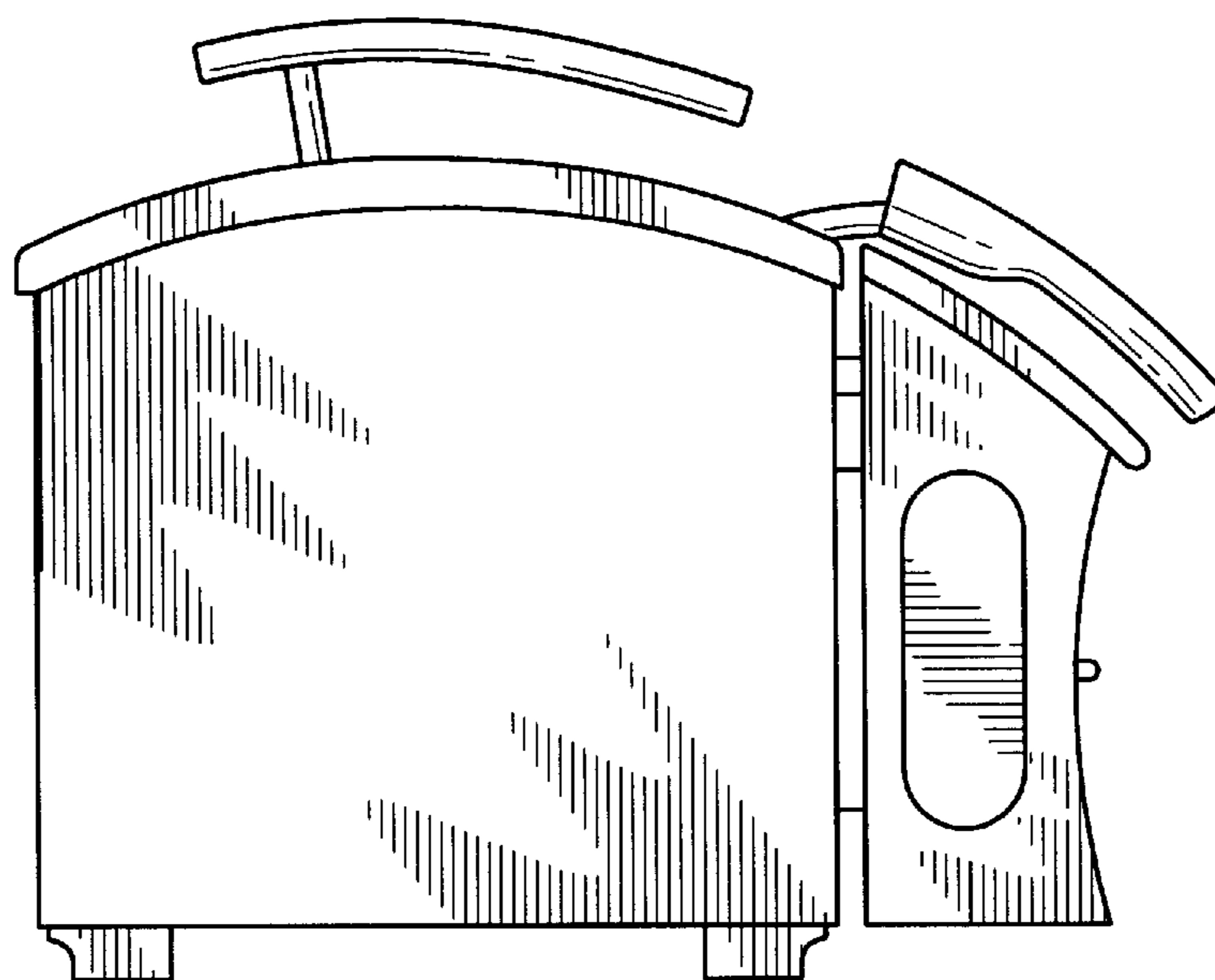


FIG. 4

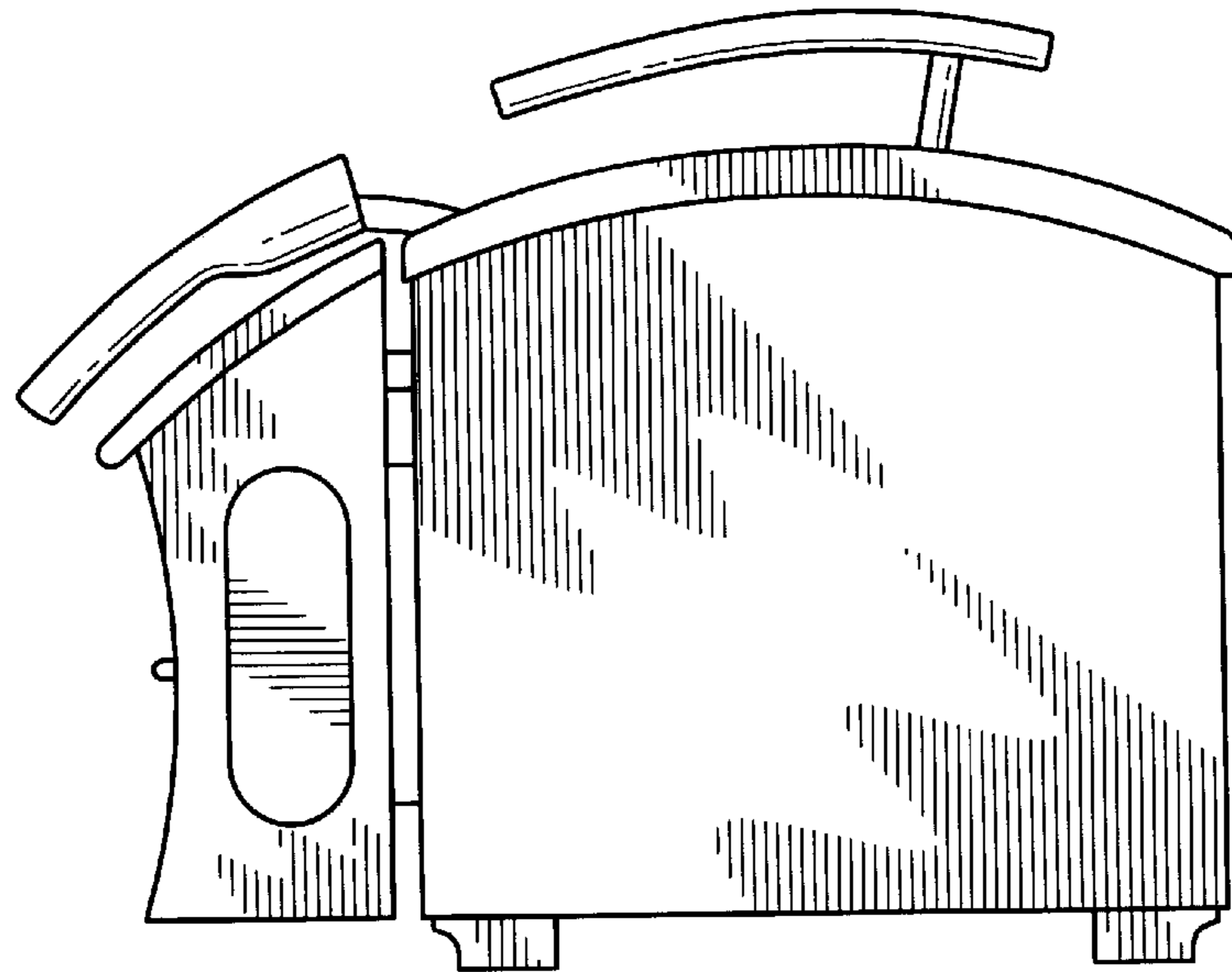


FIG. 5

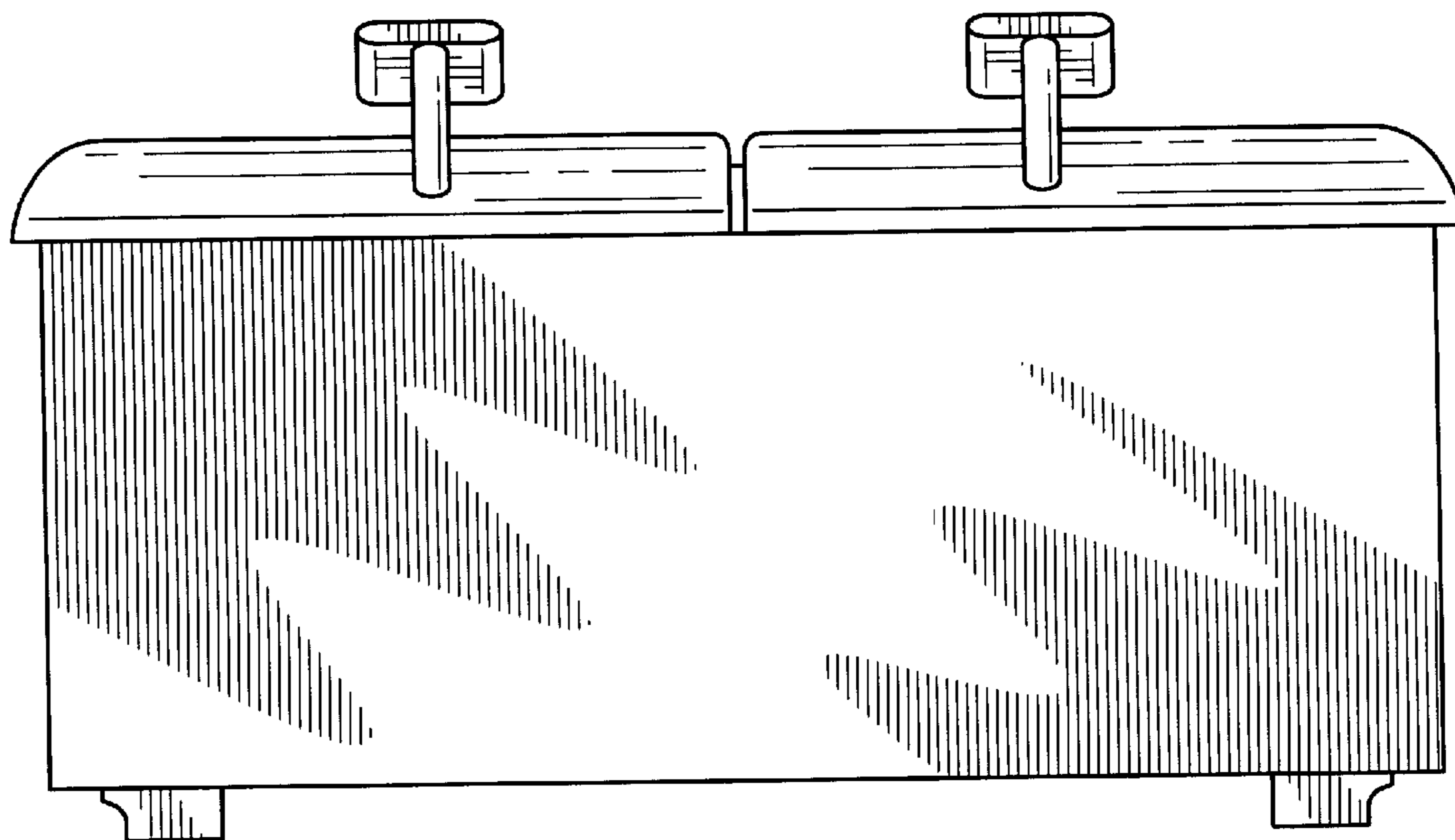


FIG. 6