

US00D496820S1

(12) **United States Design Patent**  
**Wilder**

(10) **Patent No.:** **US D496,820 S**

(45) **Date of Patent:** **\*\* Oct. 5, 2004**

(54) **HIGH PRESSURE PROPANE GAS COOKER**

(76) Inventor: **Kenneth E. Wilder**, 109 Broad St.,  
Camden, AL (US) 39726

(\*\*) Term: **14 Years**

(21) Appl. No.: **29/188,837**

(22) Filed: **Aug. 26, 2003**

(51) **LOC (7) Cl.** ..... **07-02**

(52) **U.S. Cl.** ..... **D7/334**

(58) **Field of Search** ..... D7/332-337, 402-405,  
D7/393, 346-347, 339-340, 387; 126/25 R,  
41 R, 37 R, 40; D21/548-549; 99/450,  
419, 422; D8/300, 303, 306-307, 310-312,  
315-317, 319-320; 74/543; 16/436, 417,  
421, 419, 444, 315, 110.1; D25/163

(56) **References Cited**

**U.S. PATENT DOCUMENTS**

D142,866 S	*	11/1945	Johannsen	.....	D7/334
D229,661 S	*	12/1973	Lambertson	.....	D7/334
3,964,463 A		6/1976	Dailey		
4,062,341 A		12/1977	Panzarella		
4,188,937 A		2/1980	Baynes		
4,593,676 A		6/1986	Wackerman		
4,616,625 A		10/1986	Froome		
4,944,284 A		7/1990	O'Quin		

5,490,494 A		2/1996	Giebel		
D380,933 S	*	7/1997	Schlosser et al.	.....	D7/334
5,758,635 A		6/1998	Peterson		
6,098,611 A		8/2000	Fillmore		
D449,491 S	*	10/2001	Measom	.....	D7/334
6,349,715 B1	*	2/2002	McBroom	.....	126/276
6,488,022 B2		12/2002	Shingler		
D468,149 S	*	1/2003	Surles	.....	D7/334
D473,095 S	*	4/2003	Nguyen	.....	D7/334

\* cited by examiner

*Primary Examiner*—Ruth McInroy

(74) *Attorney, Agent, or Firm*—Dowell & Dowell, P.C.

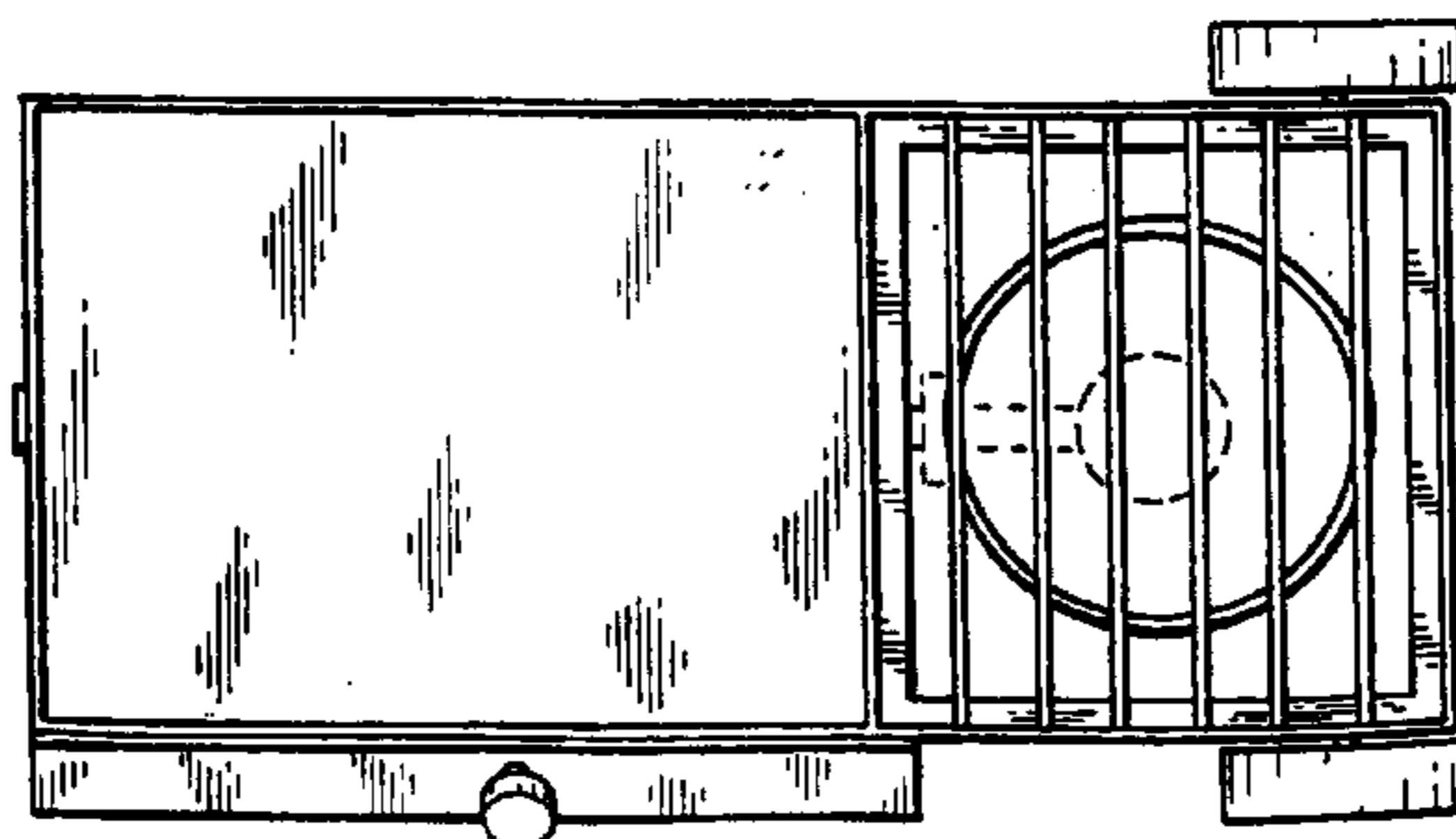
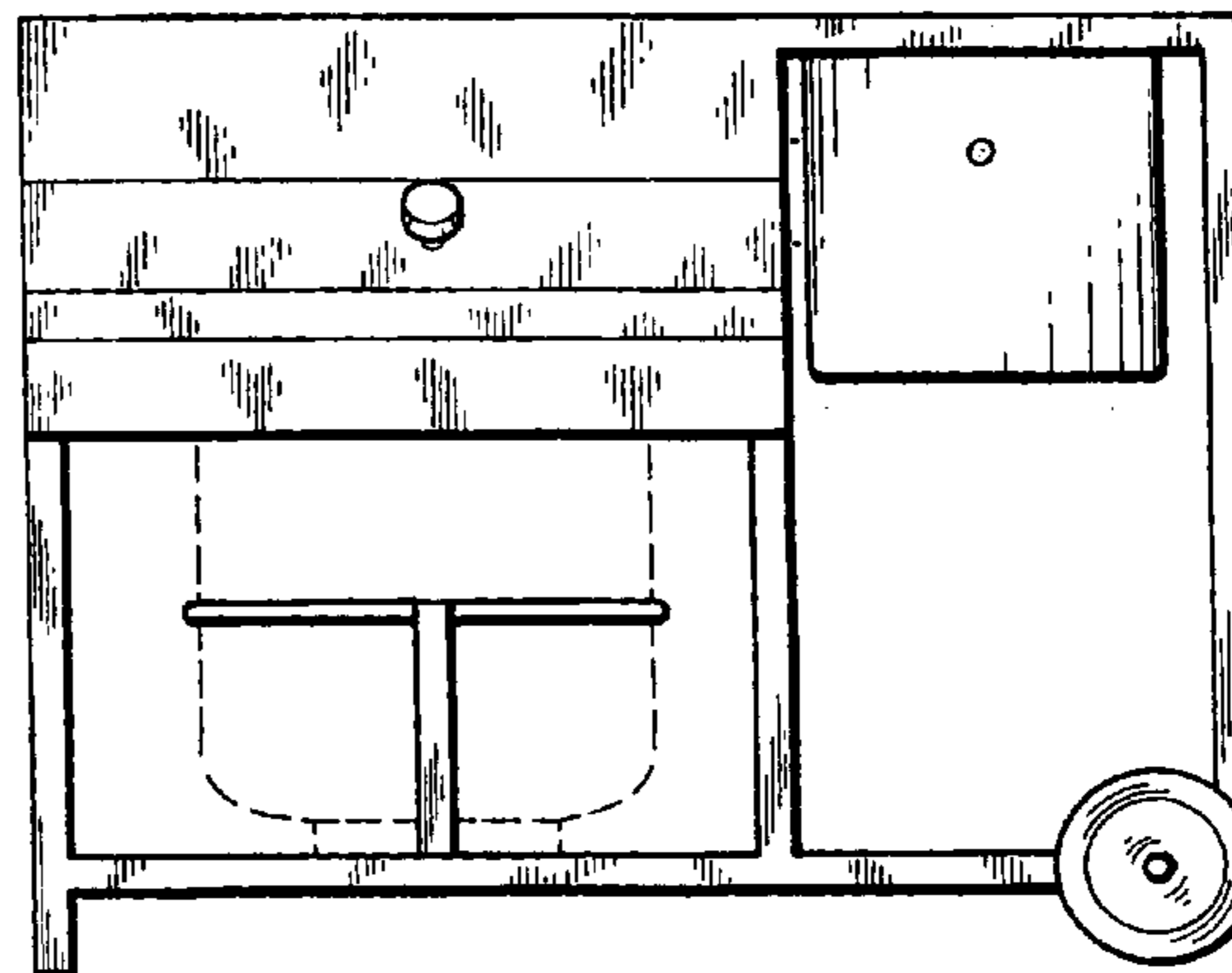
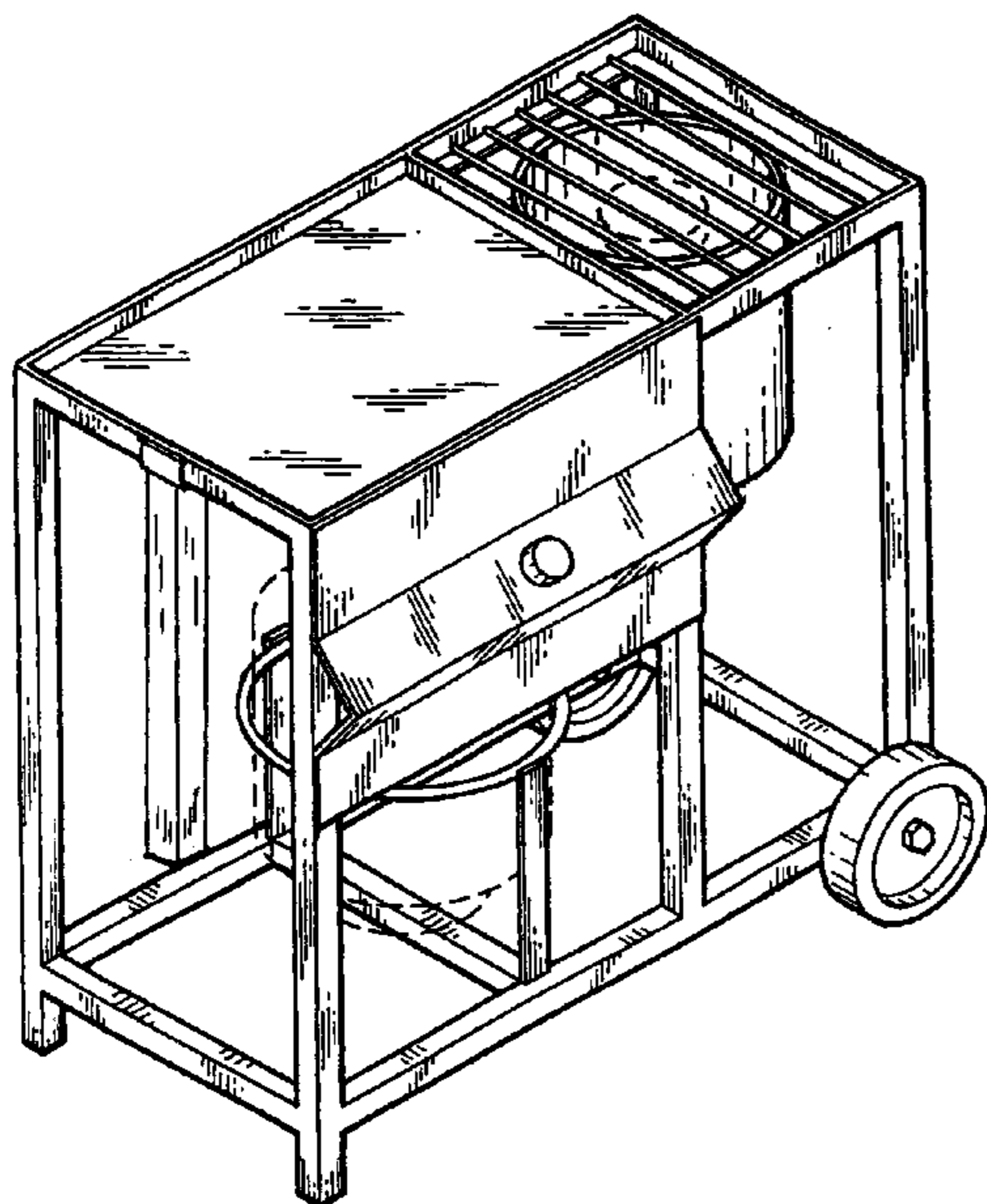
(57) **CLAIM**

The ornamental design for a high pressure propane gas cooker, as shown and described.

**DESCRIPTION**

FIG. 1 is a front perspective view of a high pressure propane gas cooker showing my new design; FIG. 2 is a front elevational view; FIG. 3 is a rear elevational view; FIG. 4 is a top plan view; FIG. 5 is a bottom plan view; FIG. 6 is a view from the left side; and, FIG. 7 is a view from the right side.

**1 Claim, 4 Drawing Sheets**



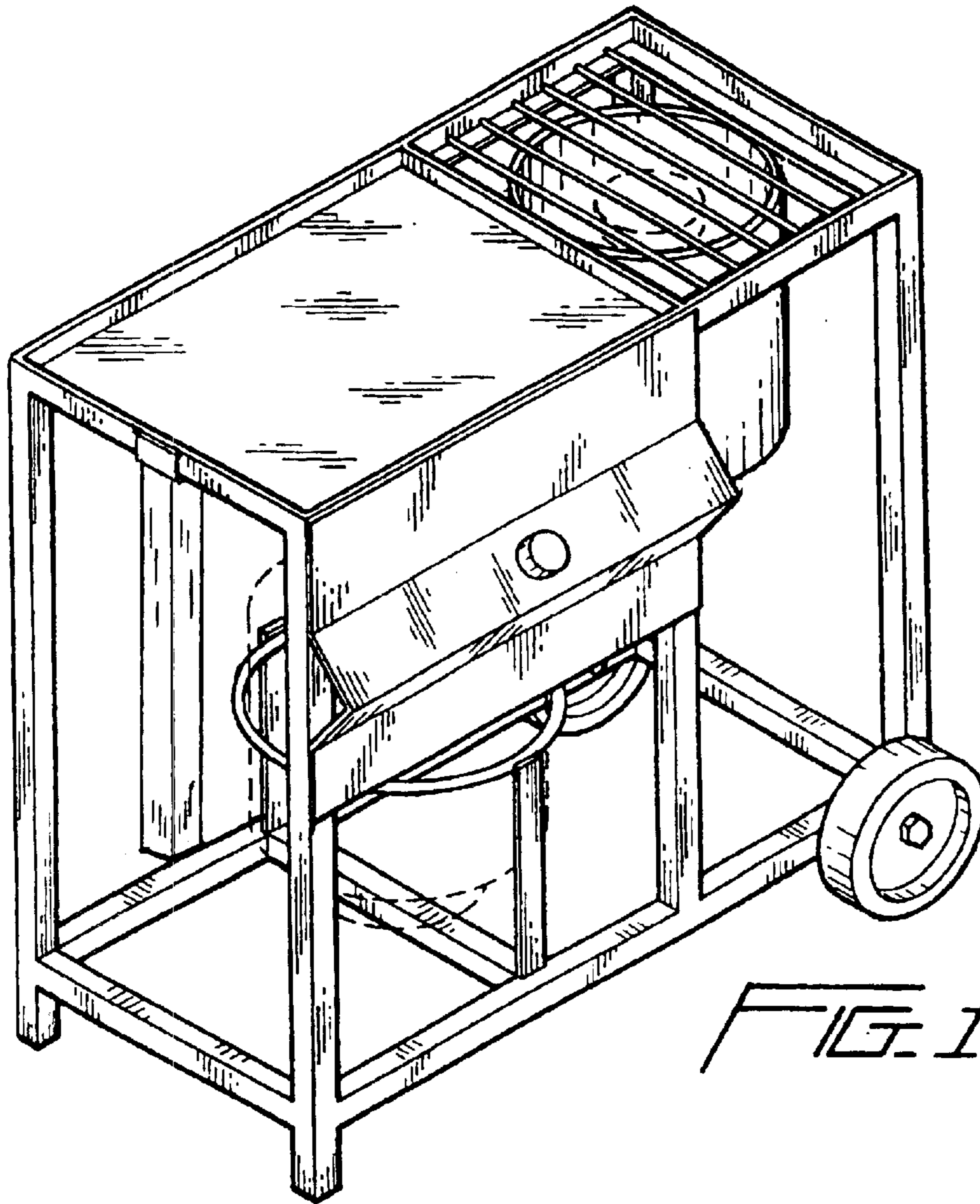
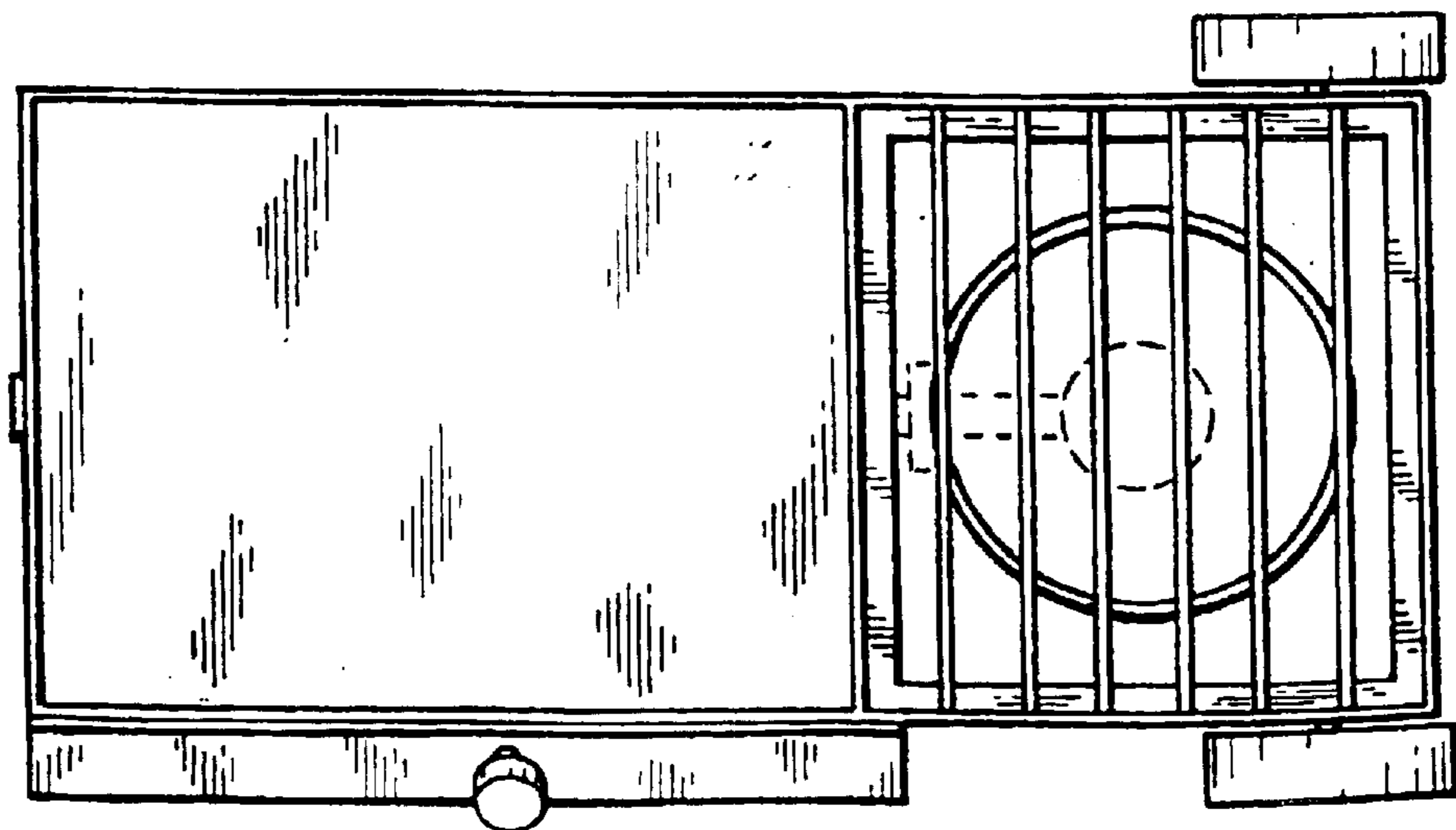


FIG. 1

FIG. 4



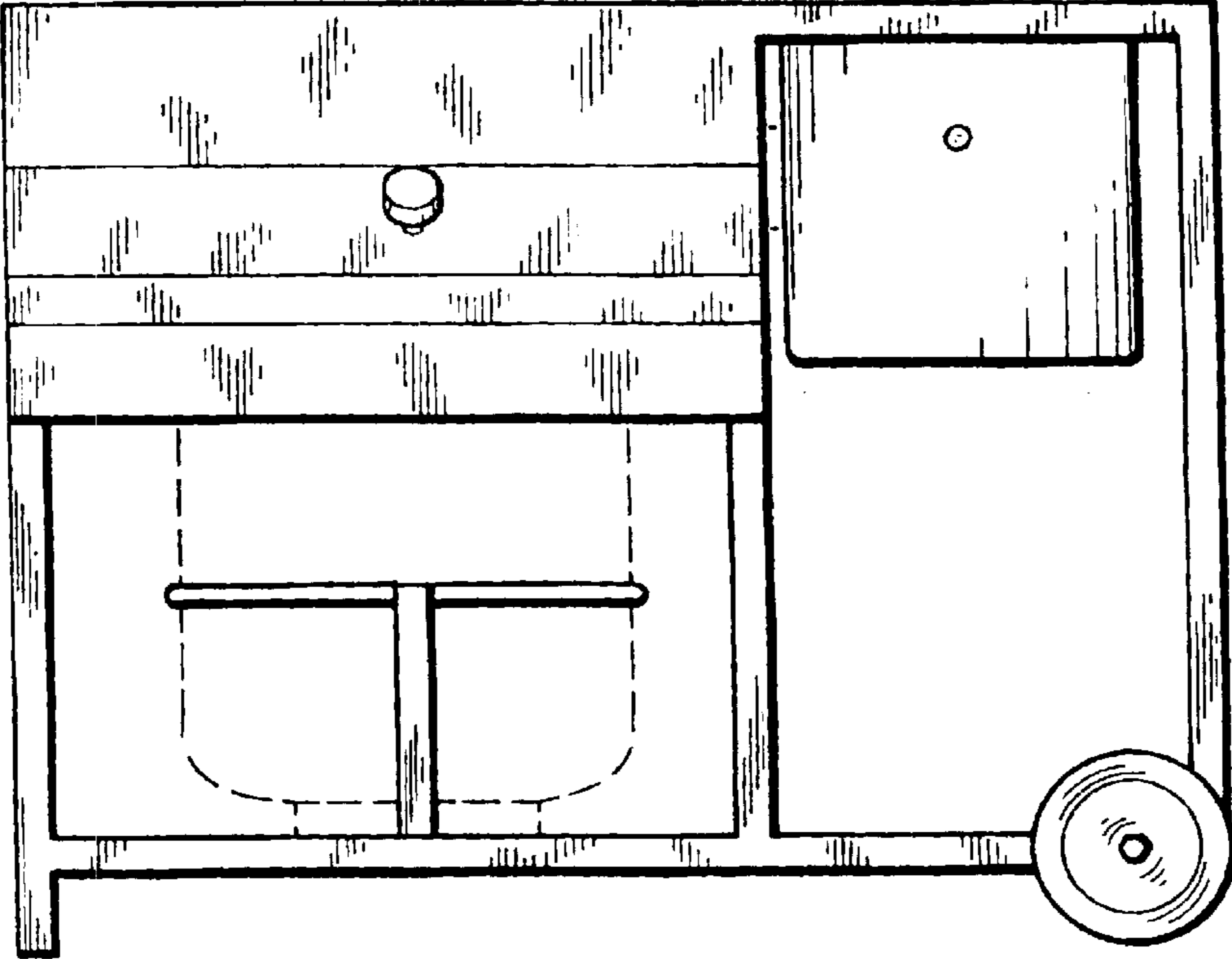


FIG. 2

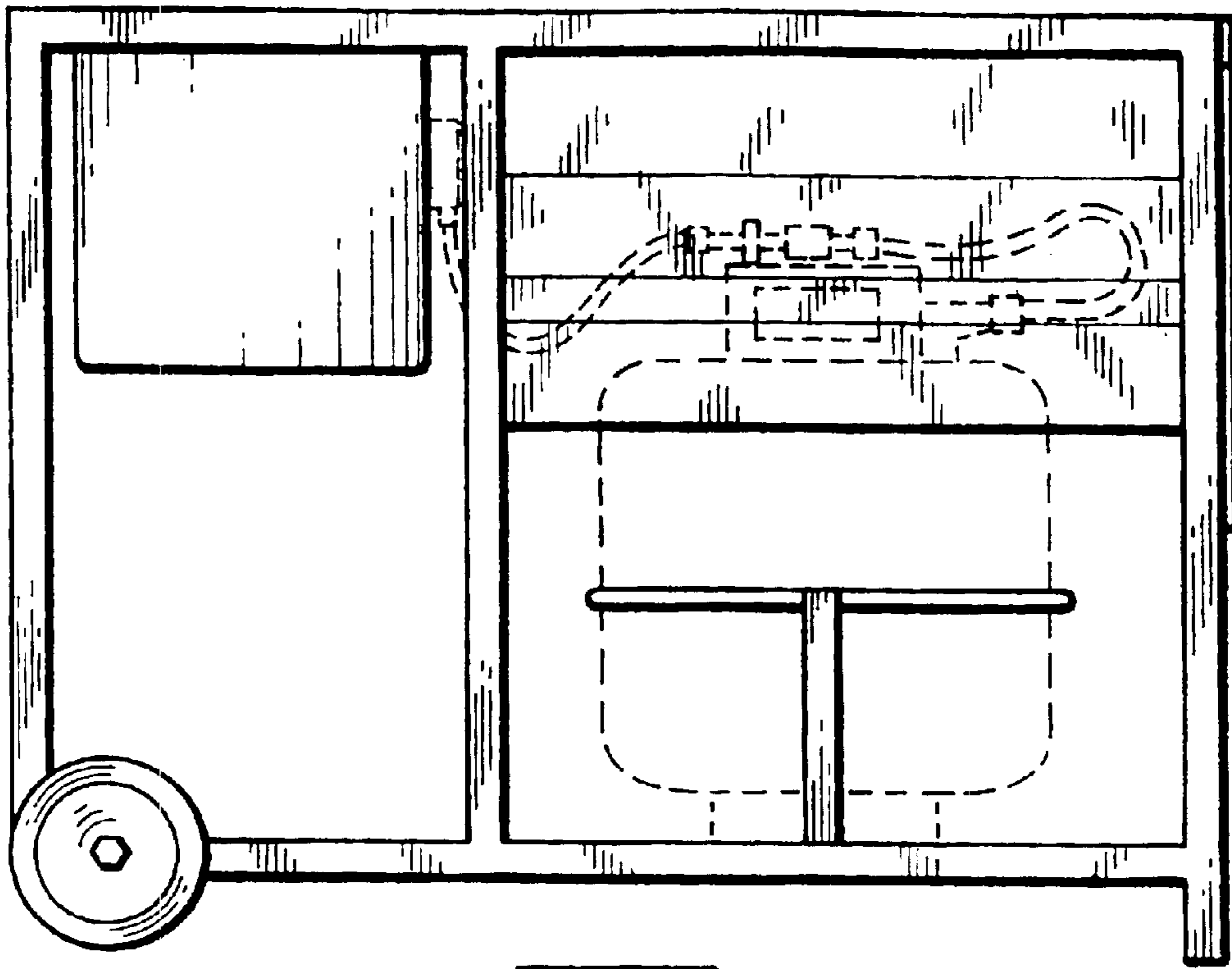


FIG. 3

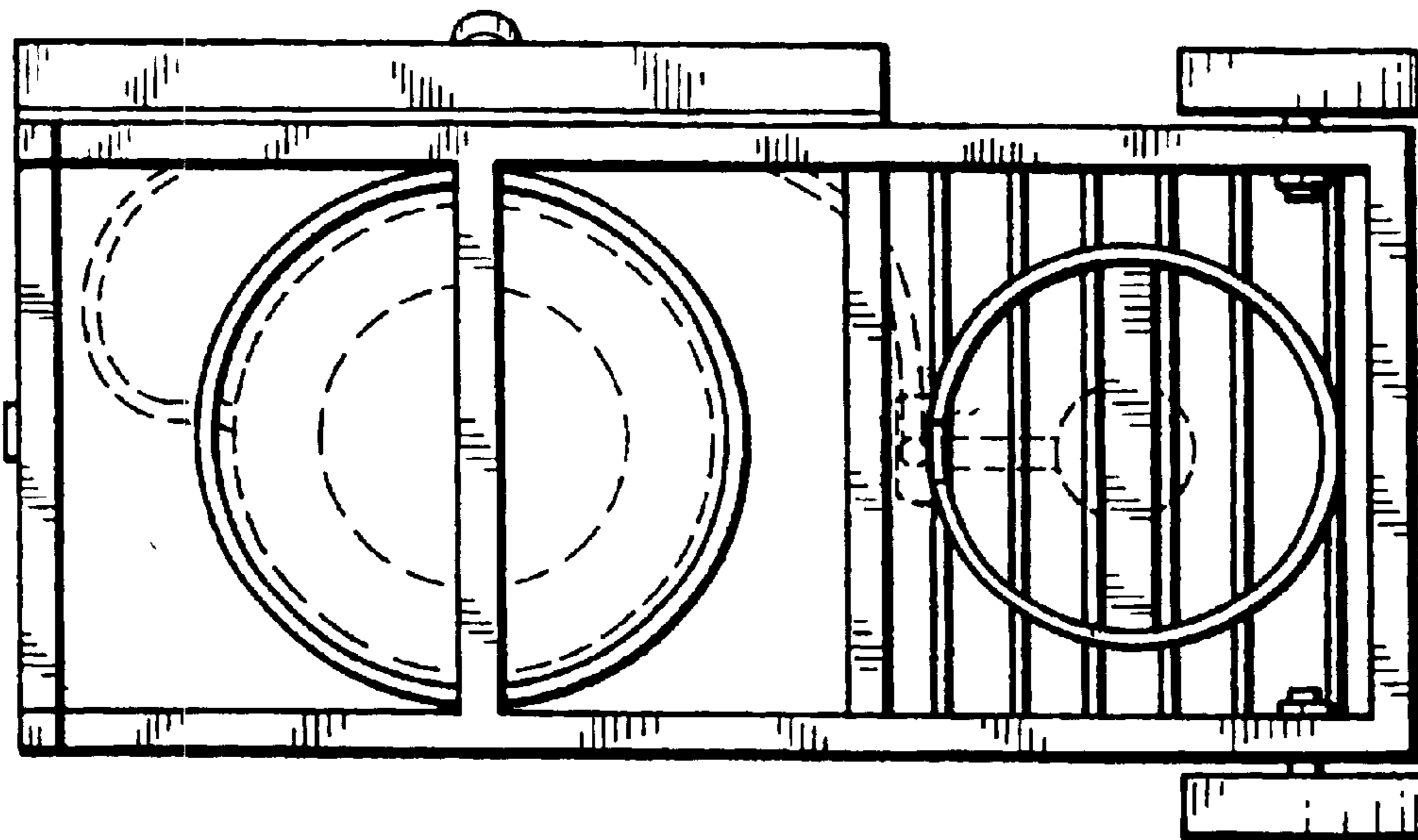


FIG. 5

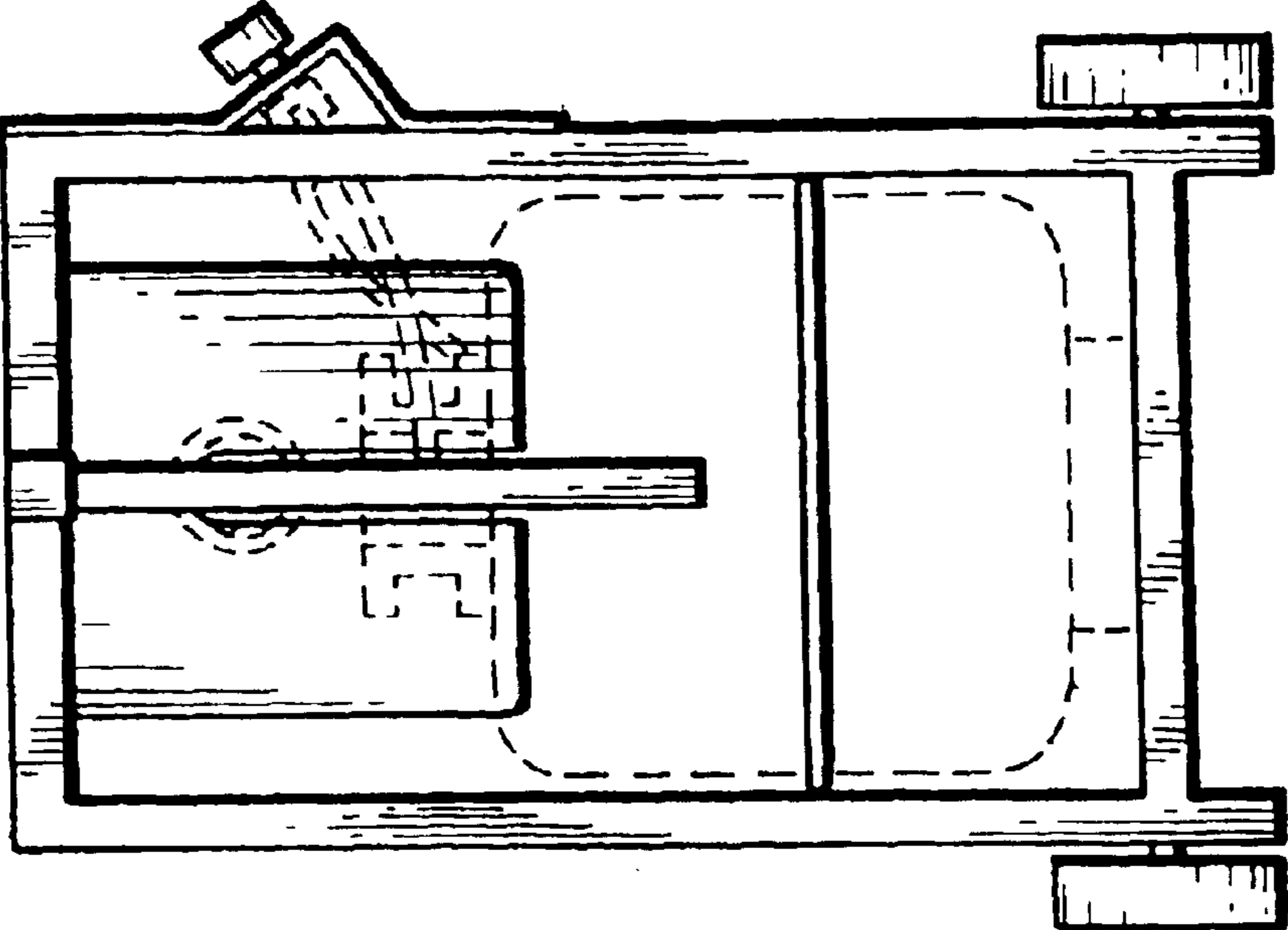


FIG. 7

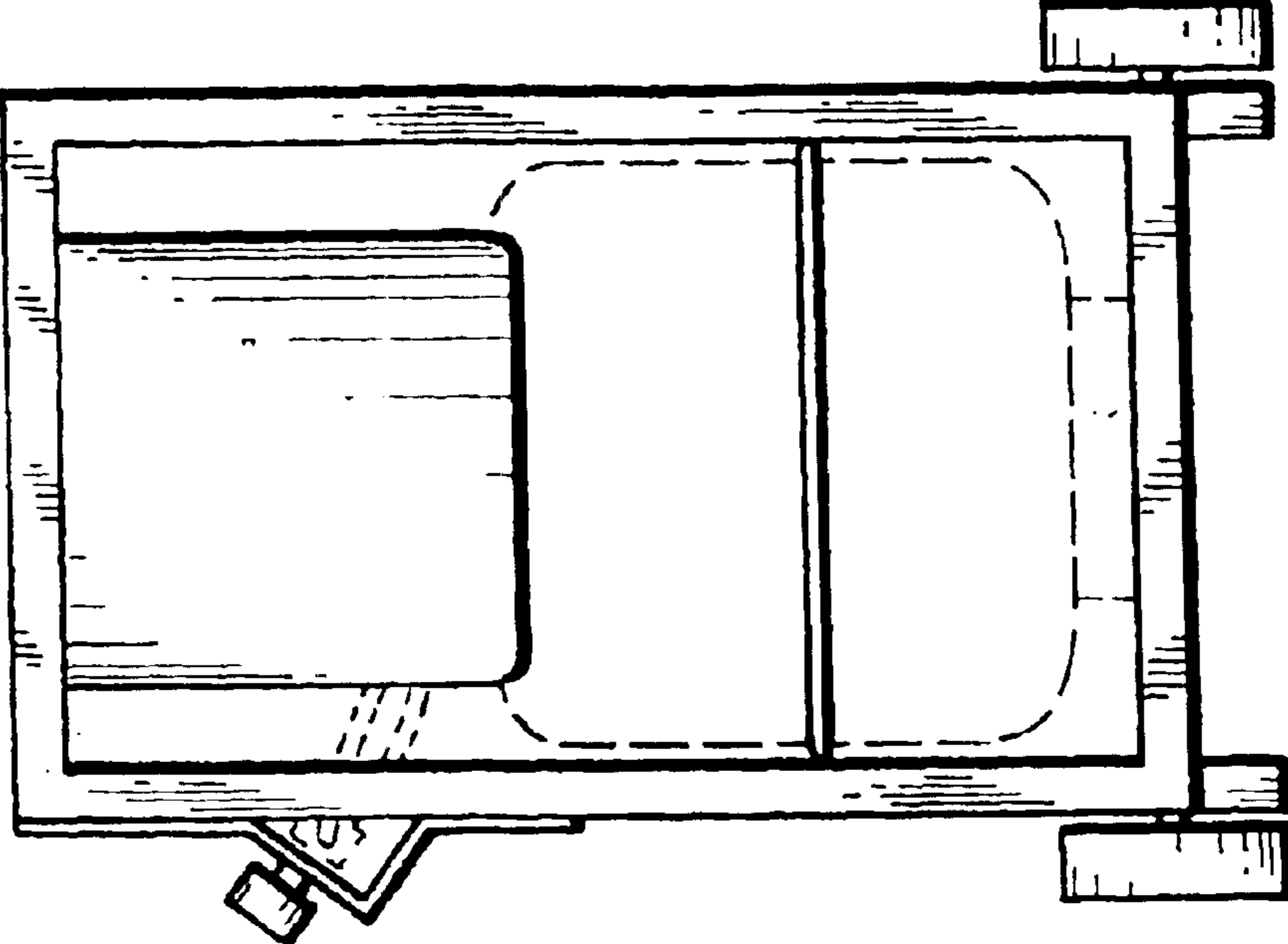


FIG. 8