

US00D496818S1

(12) **United States Design Patent**
Bodum

(10) **Patent No.:** **US D496,818 S**

(45) **Date of Patent:** **** Oct. 5, 2004**

(54) **THERMOS COFFEE MAKER 8 CUP**

(75) **Inventor:** **Jørgen Bodum, St. Niklausen (CH)**

(73) **Assignee:** **PI-Design AG, Triengen (CH)**

(**) **Term:** **14 Years**

(21) **Appl. No.:** **29/169,404**

(22) **Filed:** **Oct. 21, 2002**

(30) **Foreign Application Priority Data**

Apr. 25, 2002 (DK) DA 2002 00338

(51) **LOC (7) Cl.** **07-01**

(52) **U.S. Cl.** **D7/319; D7/317**

(58) **Field of Search** D7/312, 316, 317,
D7/318, 319, 511, 300, 321, 598, 413,
300.1; 220/504, 579, 755; 215/398; 222/146.6,
465.1, 566; D23/209; 99/279; D10/46.3

(56) **References Cited**

U.S. PATENT DOCUMENTS

D247,604 S	*	3/1978	Wildgen	D7/317
D284,927 S	*	8/1986	Zimmermann	D7/317
4,605,134 A	*	8/1986	Zimmermann	222/566
D285,400 S	*	9/1986	Zimmermann	D7/317
D292,664 S	*	11/1987	Zimmermann	D7/317
D305,853 S	*	2/1990	Zimmermann	D7/317
D321,623 S	*	11/1991	Sun	D7/317
D390,416 S	*	2/1998	Hippen et al.	D7/413

D427,478 S	*	7/2000	Littmann et al.	D7/318
D458,795 S	*	6/2002	Jorgensen	D7/318
D463,706 S	*	10/2002	Lecerf	D7/317
D472,105 S	*	3/2003	Jorgensen	D7/598
D475,233 S	*	6/2003	De Visser	D7/317
D475,883 S	*	6/2003	Jorgensen	D7/317

* cited by examiner

Primary Examiner—M. N. Pandozzi

(74) *Attorney, Agent, or Firm*—Nath & Associates PLLC;
Marvin C. Berkowitz

(57) **CLAIM**

The ornamental design for a thermos coffee maker 8 cup, as shown and described.

DESCRIPTION

FIG. 1 is an oblique perspective view of the thermos coffee maker 8 cup;

FIG. 2 is a front view of the thermos coffee maker 8 cup, as shown in FIG. 1;

FIG. 3 is a back side view of the thermos coffee maker 8 cup;

FIG. 4 is a right side view of the thermos coffee maker 8 cup;

FIG. 5 is a left side view of the thermos coffee maker 8 cup;

FIG. 6 is a top view of the thermos coffee maker 8 cup;

FIG. 7 is a bottom view of the thermos coffee maker 8 cup; and,

FIG. 8 is a sectional view thereof taken along line 8—8 of FIG. 5.

1 Claim, 8 Drawing Sheets

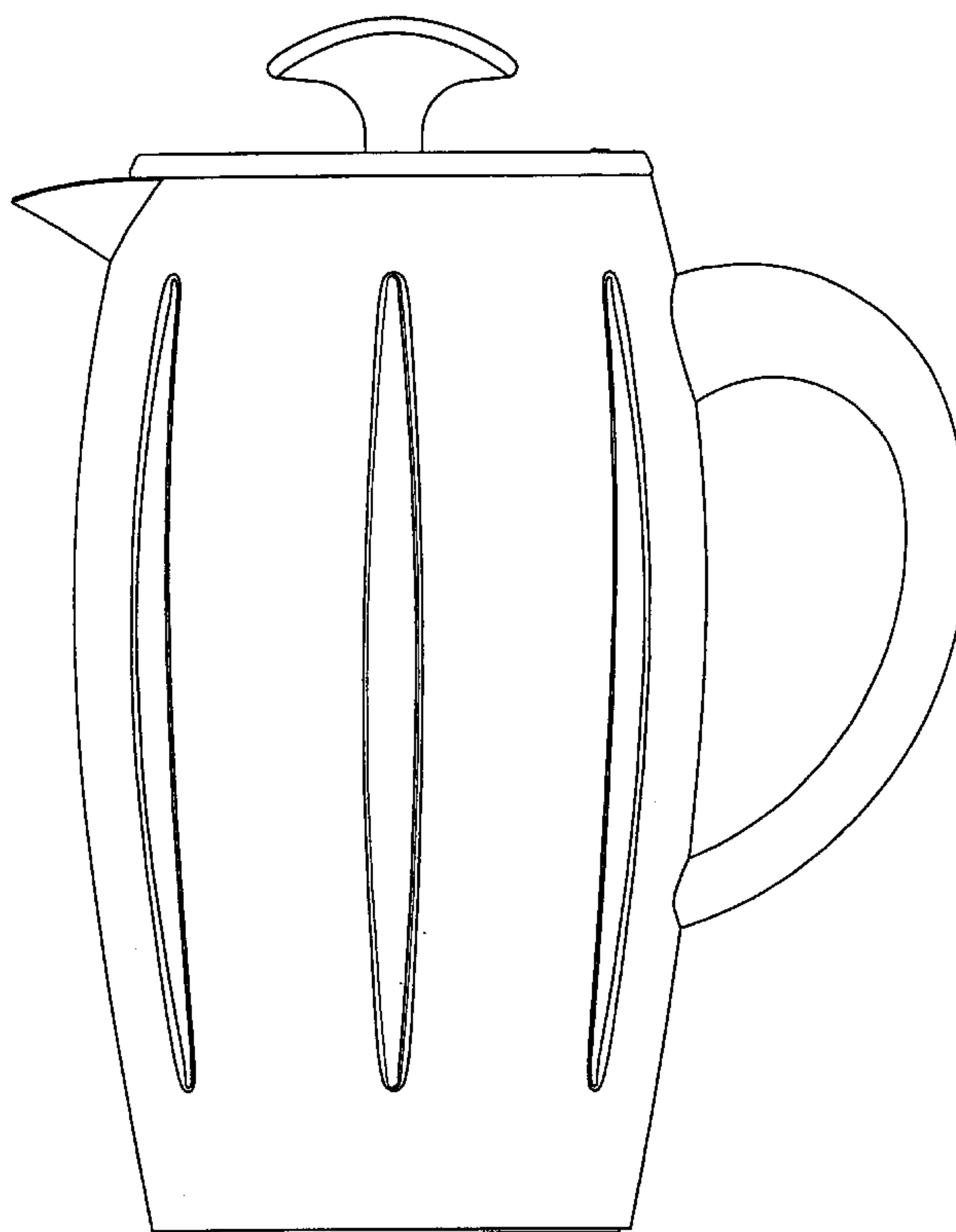




Fig. 1

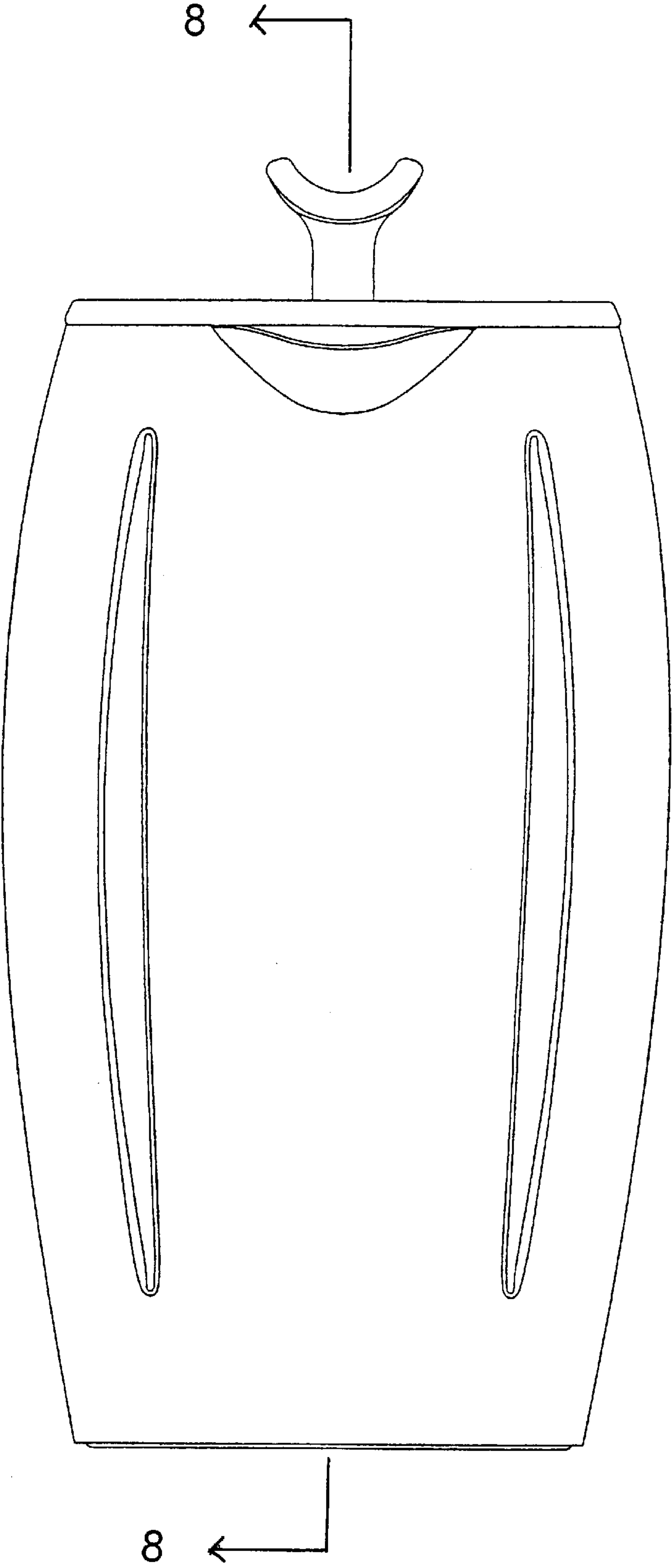


Fig. 2

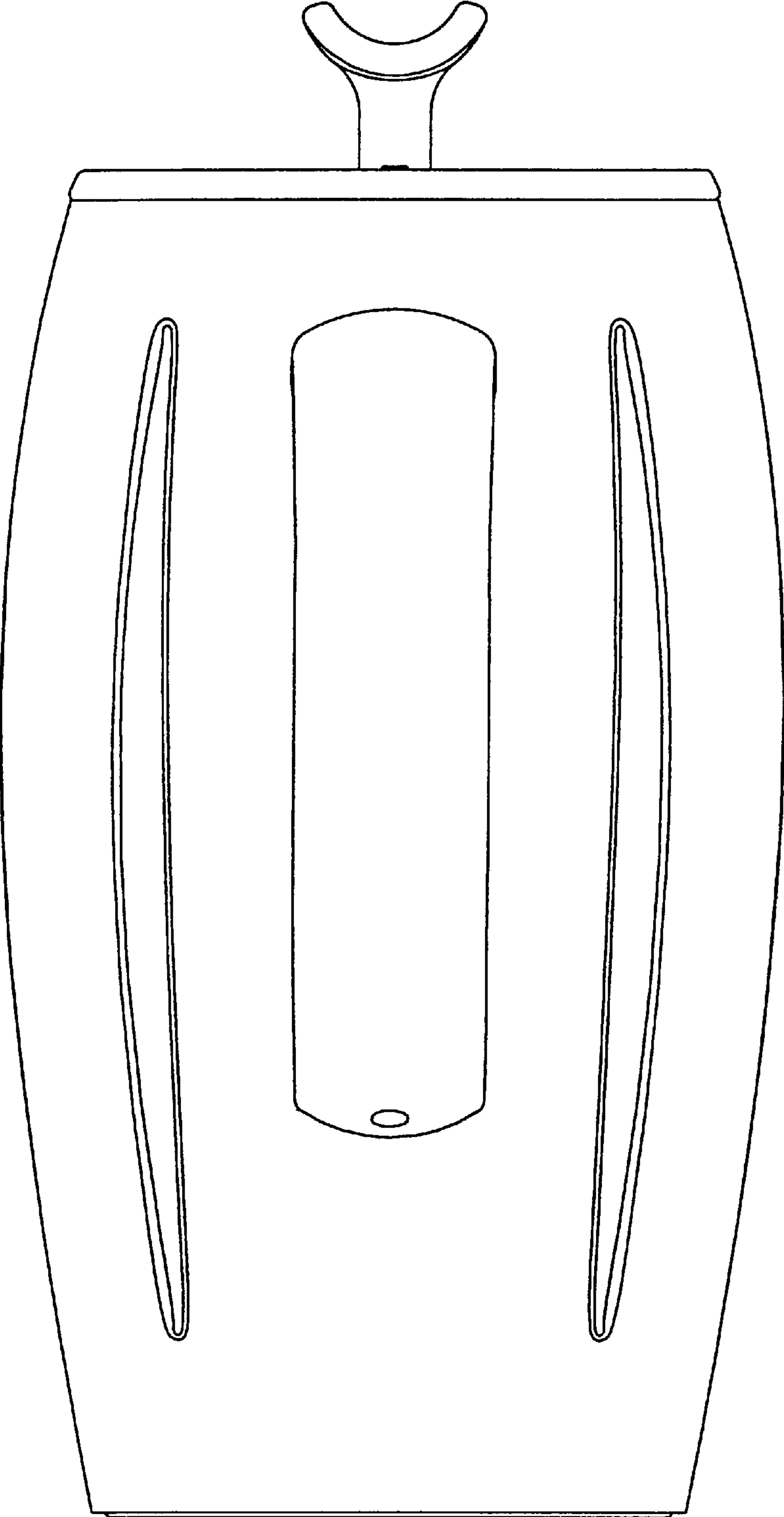


Fig. 3

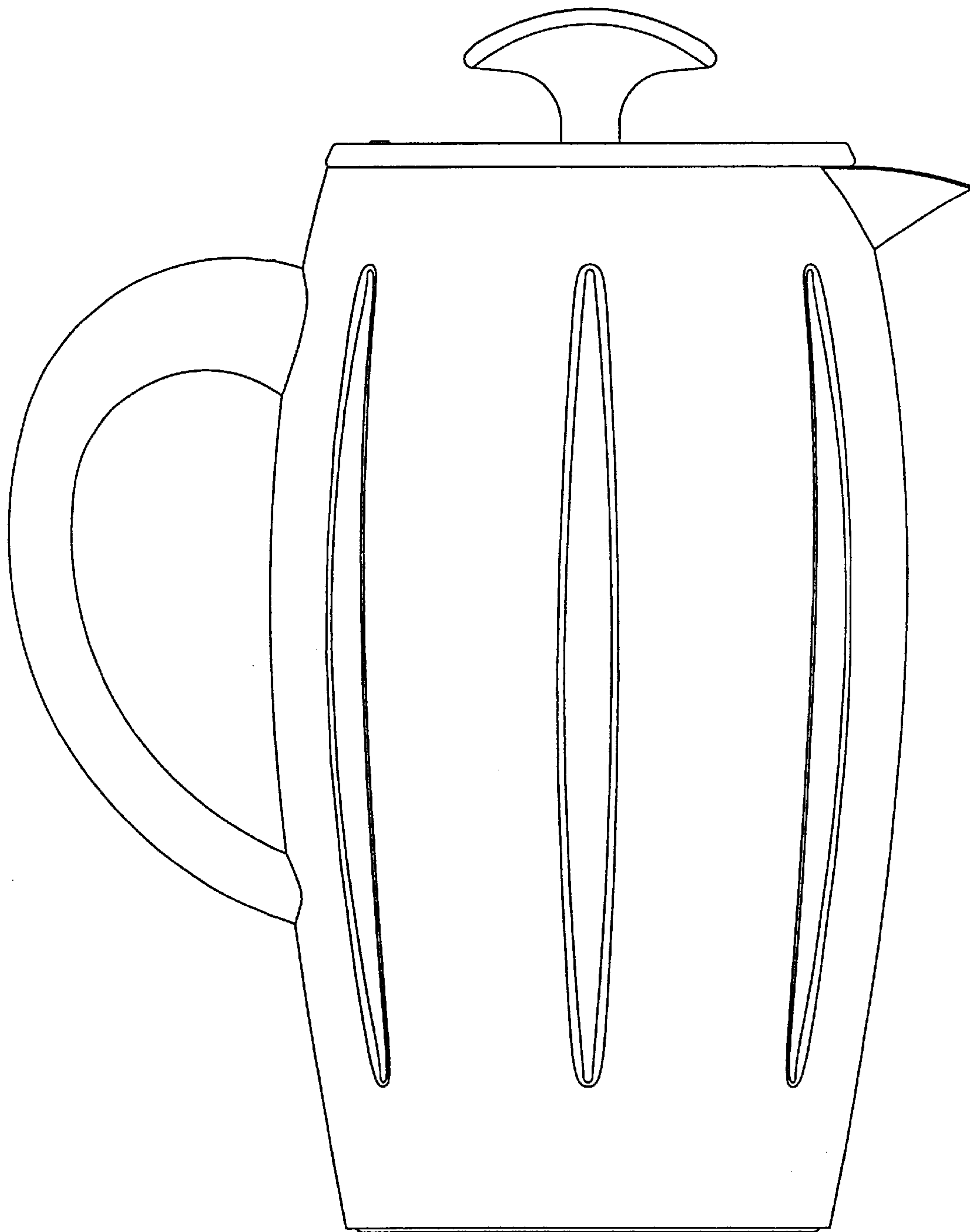


Fig. 4

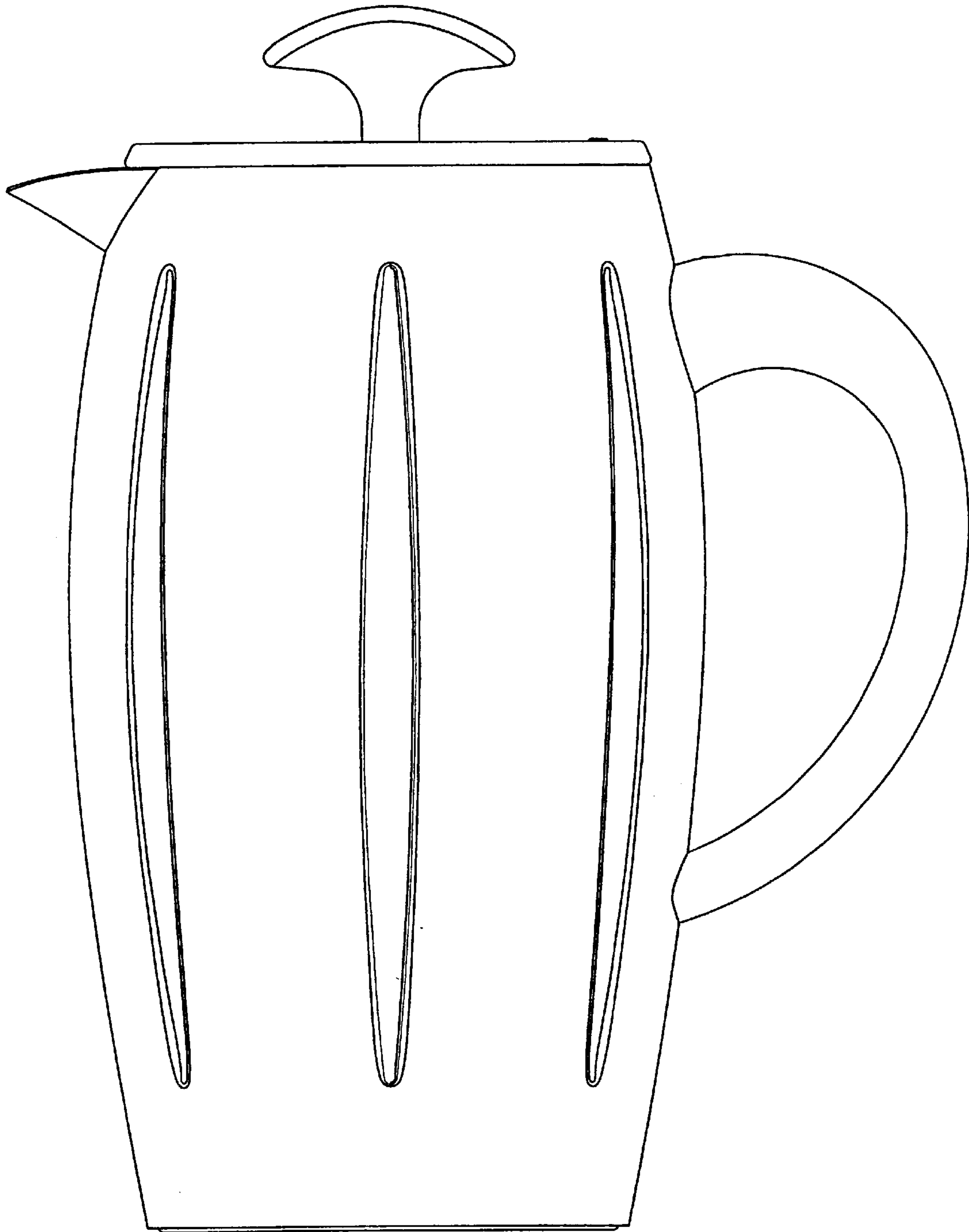


Fig. 5

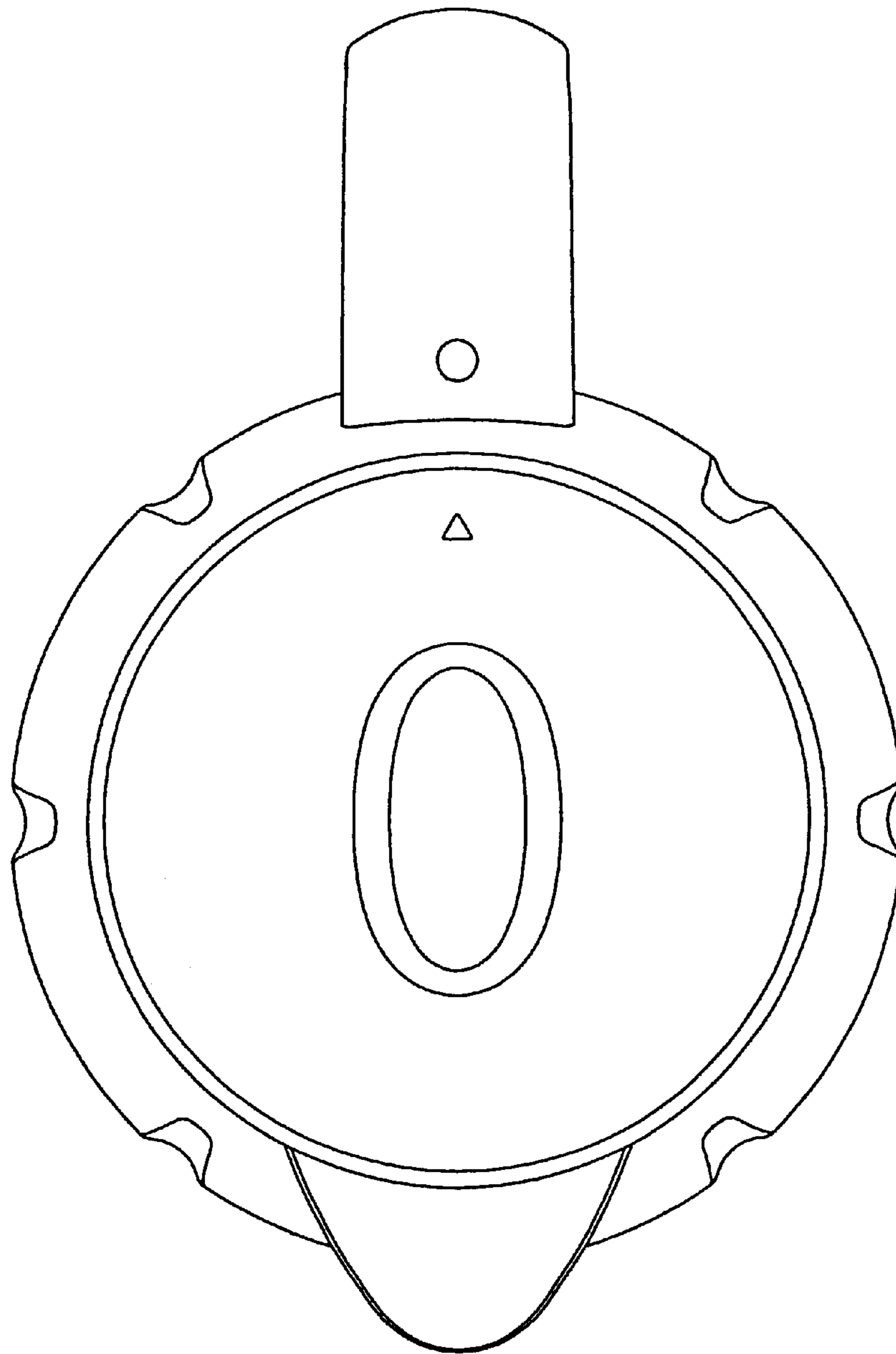


Fig. 6

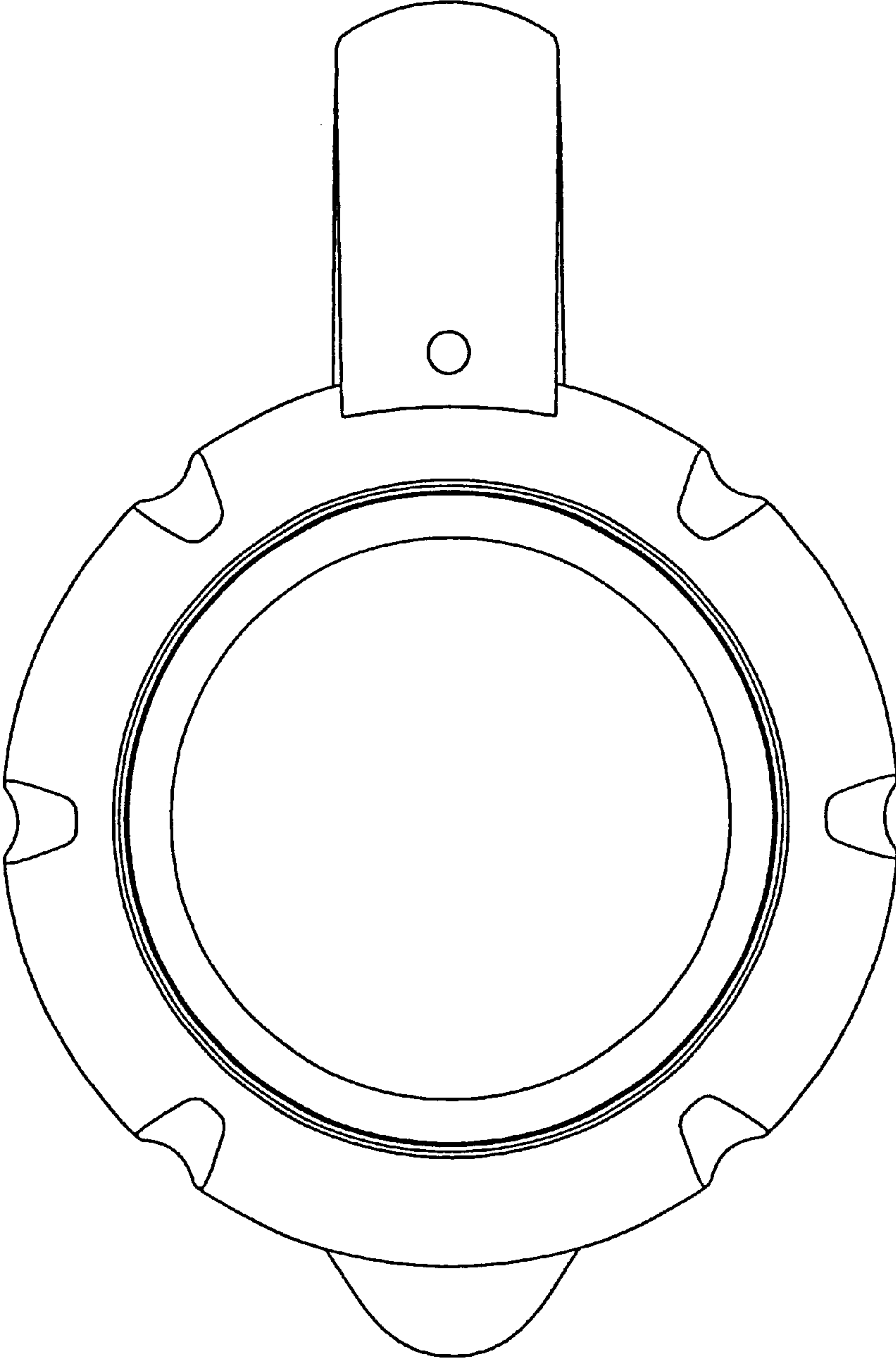


Fig. 7

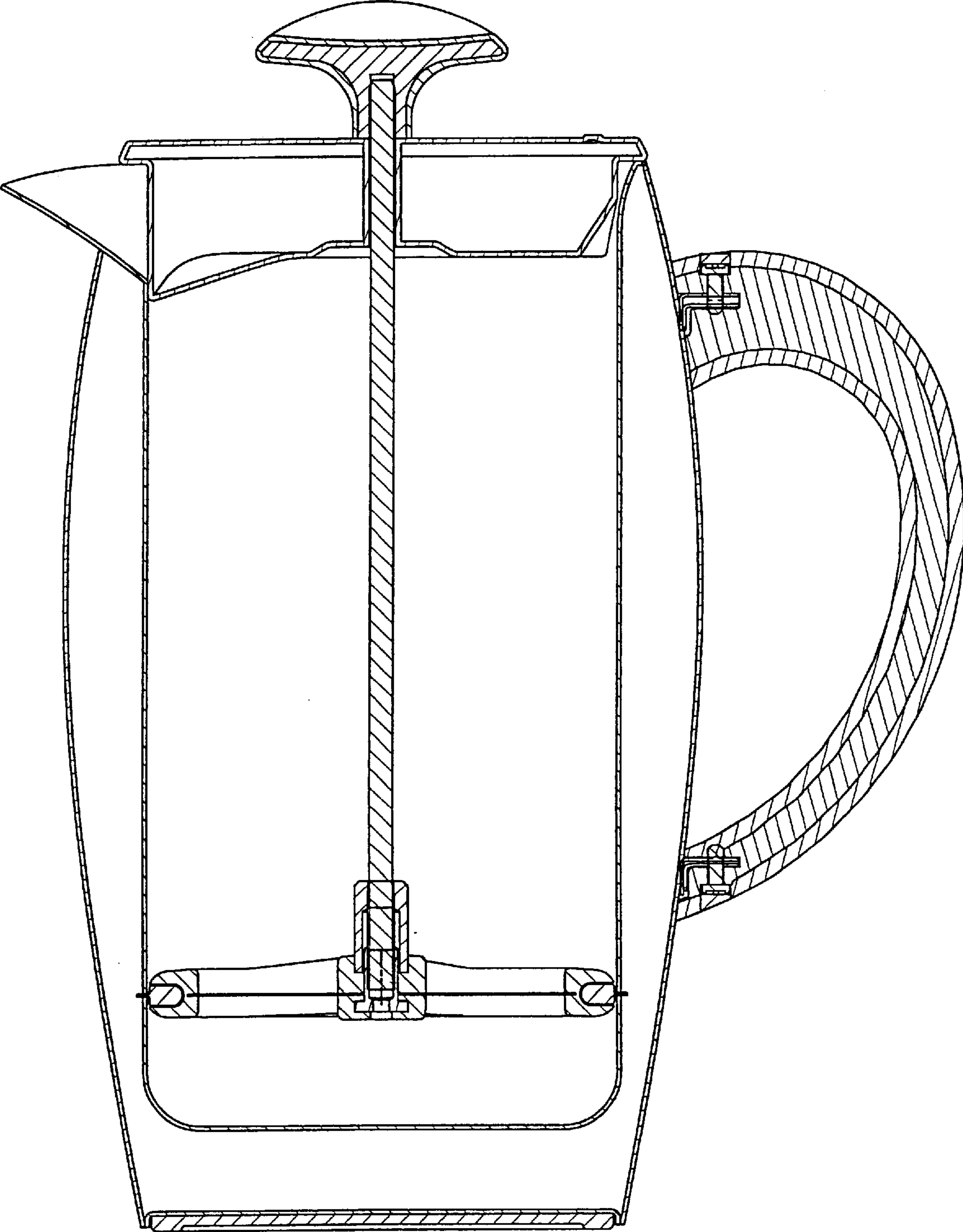


Fig. 8