

US00D496817S1

(12) **United States Design Patent**
Martin

(10) **Patent No.:** **US D496,817 S**
(45) **Date of Patent:** **** Oct. 5, 2004**

(54) **KEY HOOK MAIL HOLDER**

(75) Inventor: **Robert Martin**, Washington, MO (US)

(73) Assignee: **Magnet, LLC**, Washington, MO (US)

(**) Term: **14 Years**

(21) Appl. No.: **29/185,984**

(22) Filed: **Jul. 7, 2003**

(51) **LOC (7) Cl.** **06-04**

(52) **U.S. Cl.** **D6/553**

(58) **Field of Search** D6/553, 552, 567,
D6/563, 569, 570; 211/13.1, 59.1, 66, 70.1,
86.01, 87.01, 89.01, 106.01; 248/302, 309.2,
309.1, 304

(56) **References Cited**

U.S. PATENT DOCUMENTS

4,326,761	A	*	4/1982	Schwartz	211/88.01
D270,023	S	*	8/1983	Sheldon	D6/566
D331,855	S	*	12/1992	Kaplan	D6/512
D458,070	S	*	6/2002	Bennett et al.	D6/567
D459,130	S	*	6/2002	Annan	D6/553

* cited by examiner

Primary Examiner—Brian N Vinson

(74) *Attorney, Agent, or Firm*—Thompson Coburn, LLP

(57) **CLAIM**

The ornamental design for a key hook mail holder, as shown and described.

DESCRIPTION

FIG. 1 is a perspective view of a key hook mail holder of the present invention showing my new design;

FIG. 2 is a front elevational view of the key hook mail holder of FIG. 1;

FIG. 3 is a top plan view of the key hook mail holder of FIG. 1;

FIG. 4 is a bottom plan view of the key hook mail holder of FIG. 1;

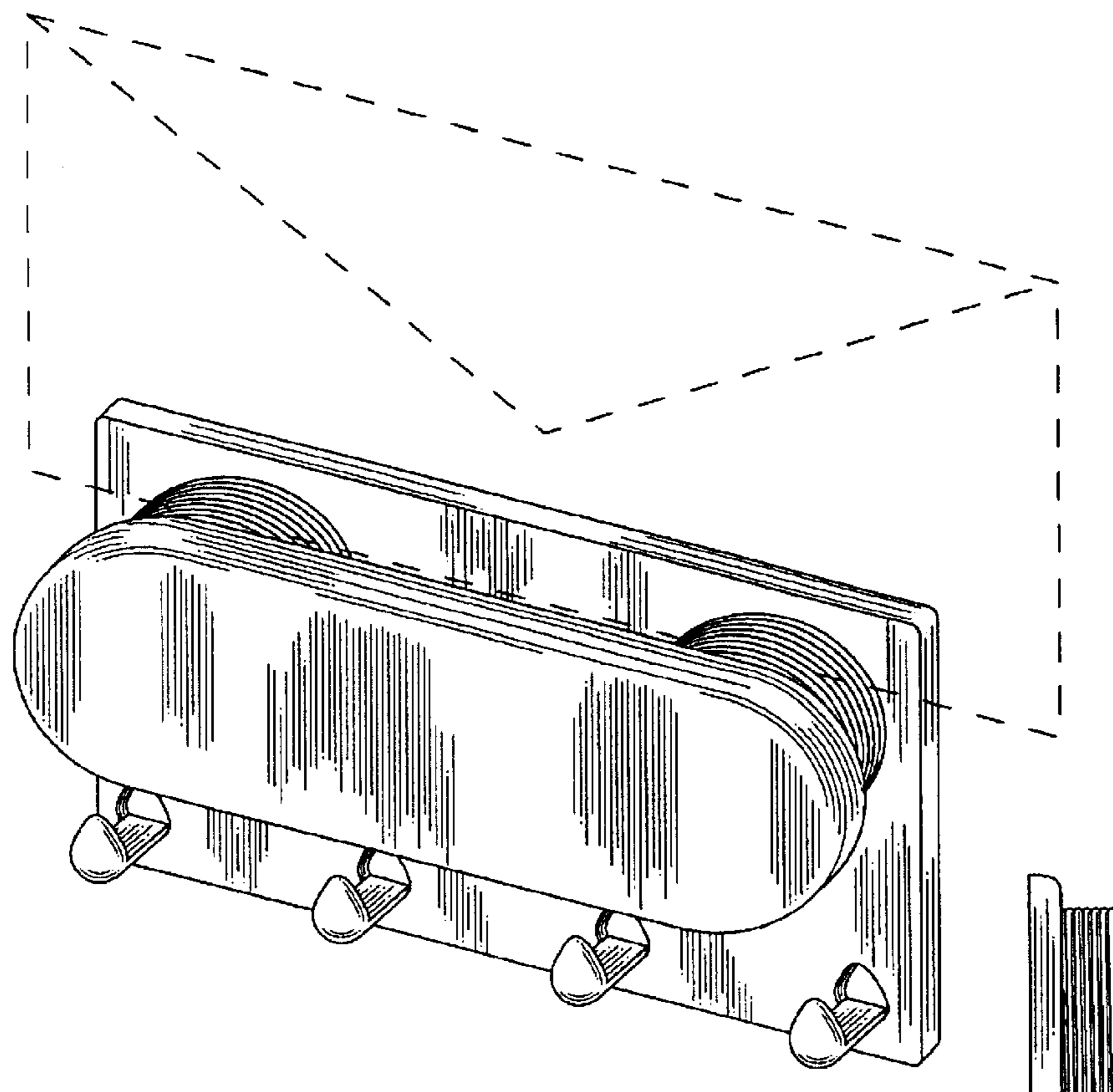
FIG. 5 is a left side elevational view of the key hook mail holder of FIG. 1, the right side being a mirror image thereof; and,

FIG. 6 is a second left side elevational view of the key hook mail holder similar to FIG. 5, but shown in an extended condition.

The broken line representation of an envelope in FIG. 1 is for illustrative purposes only and forms no part of the claimed design.

The rear view is unornamental and forms no part of the claimed design.

1 Claim, 2 Drawing Sheets



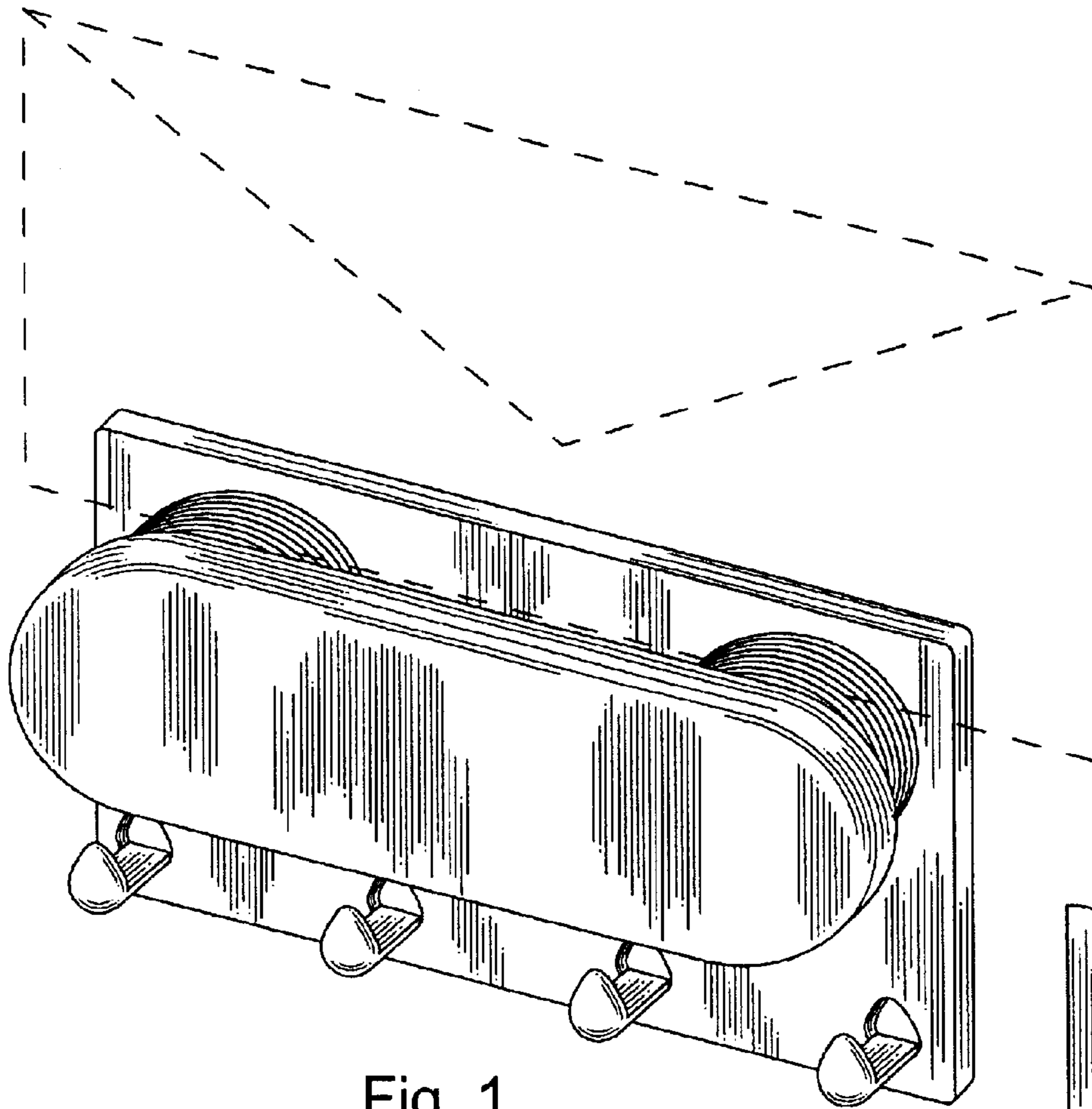


Fig. 1

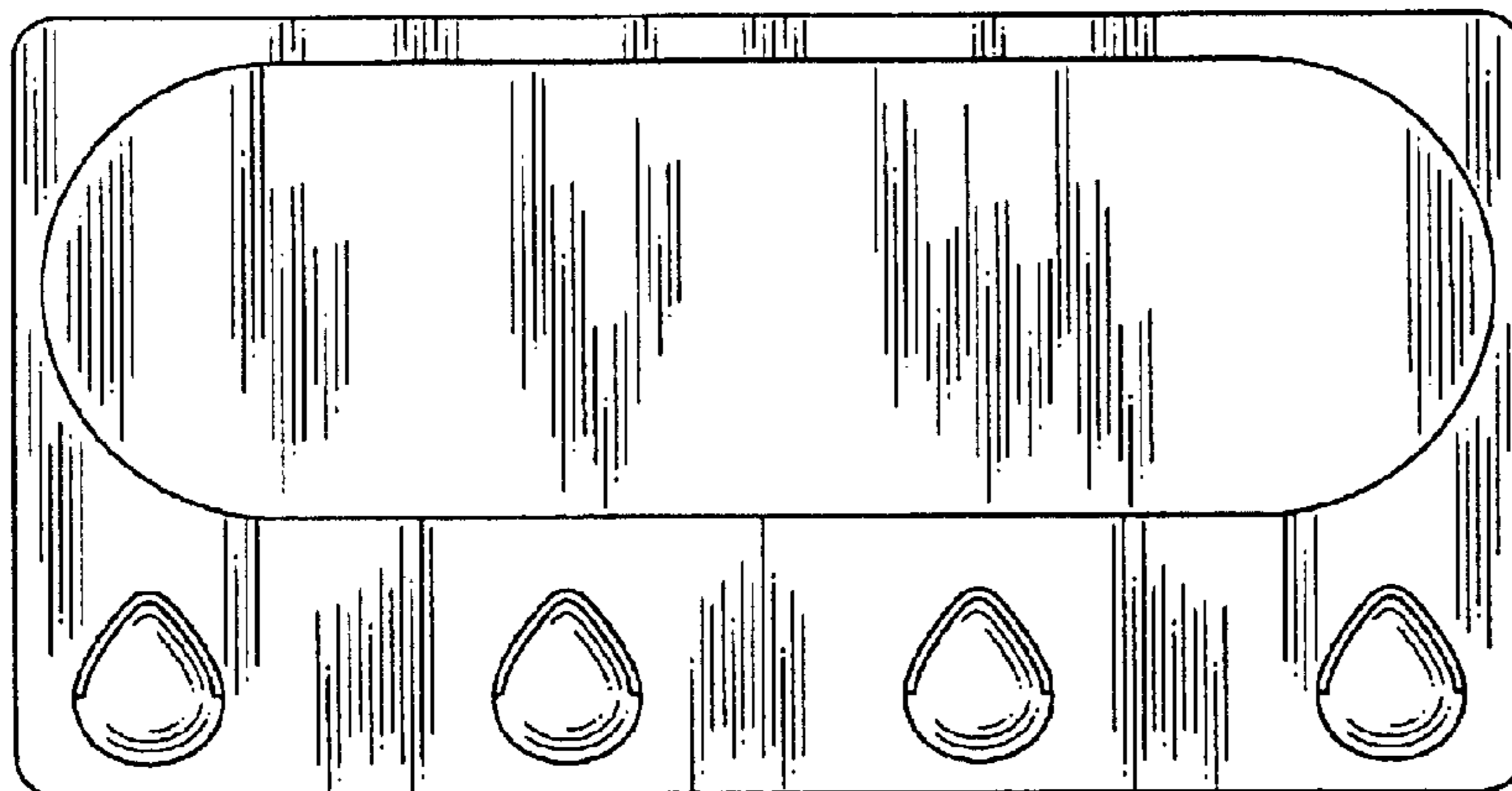


Fig. 2

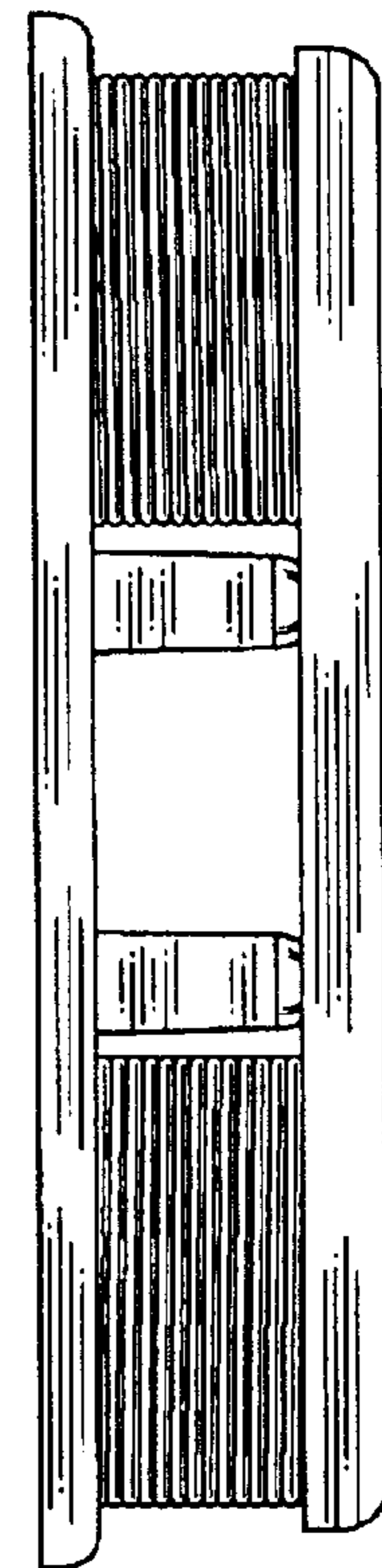


Fig. 3

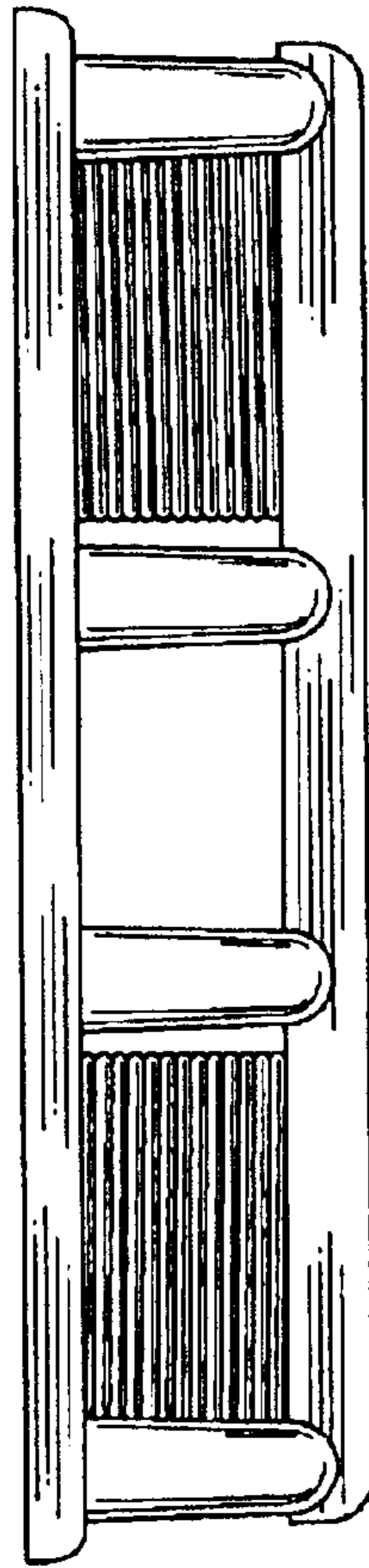


Fig. 4

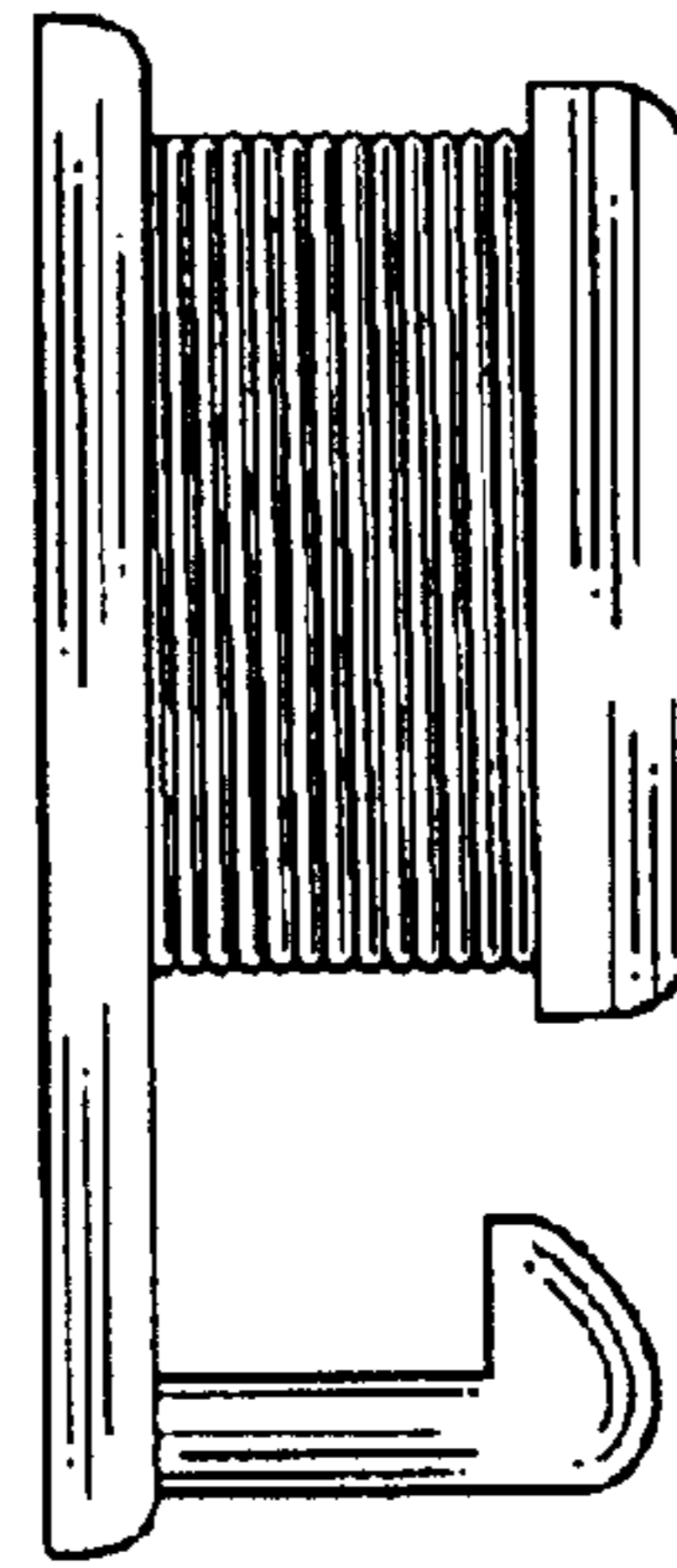


Fig. 5

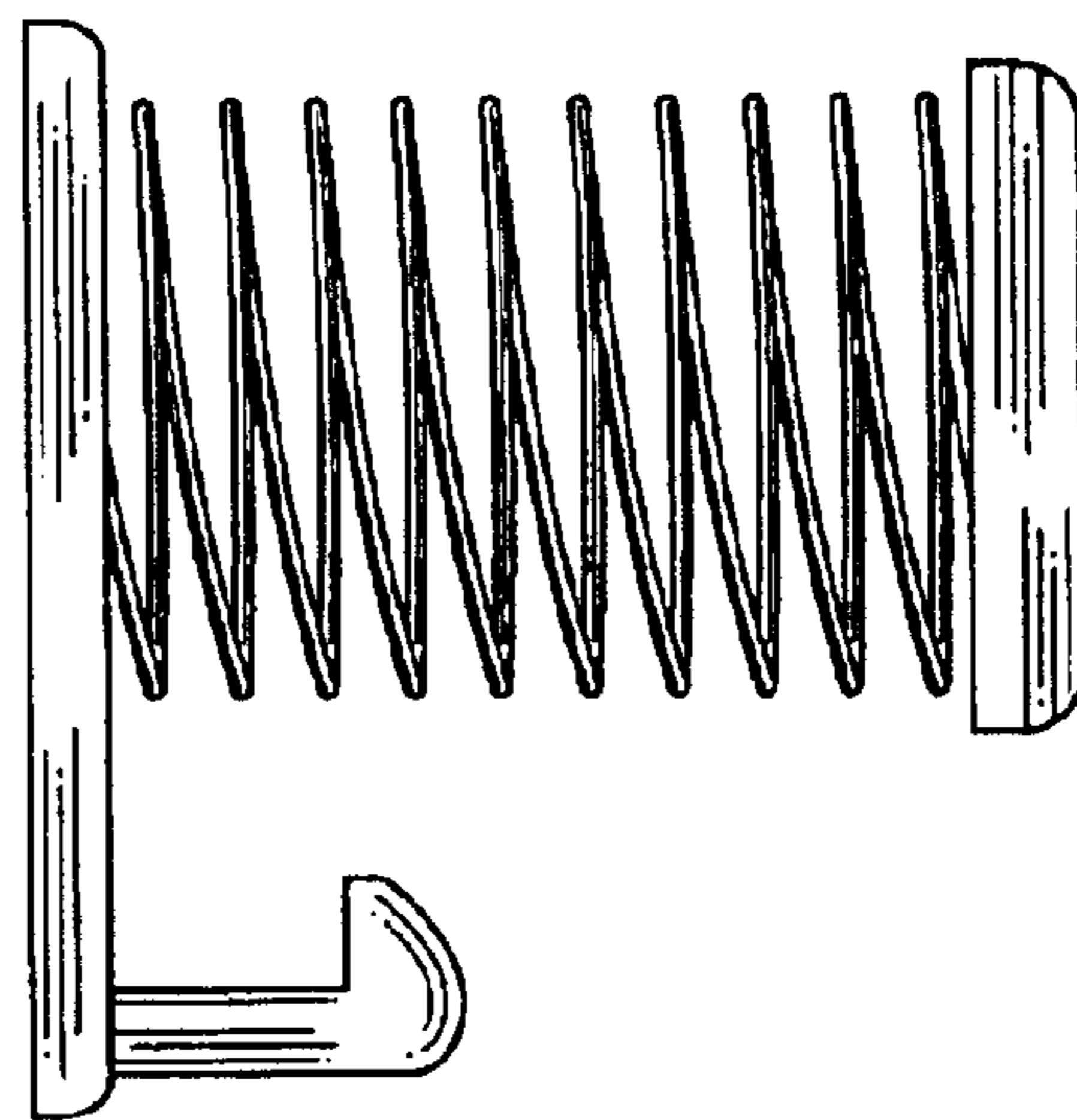


Fig. 6