

US00D496816S1

(12) **United States Design Patent**
Hoernig

(10) **Patent No.:** **US D496,816 S**
(45) **Date of Patent:** **** Oct. 5, 2004**

(54) **SOAP DISH**

(75) **Inventor:** **Victor Hoernig**, Lowell, IN (US)

(73) **Assignee:** **Bath Unlimited, Inc.**, Fort Mill, SC (US)

(**) **Term:** **14 Years**

(21) **Appl. No.:** **29/200,042**

(22) **Filed:** **Feb. 23, 2004**

Related U.S. Application Data

(62) Division of application No. 29/183,980, filed on Jun. 19, 2003, now Pat. No. Des. 488,944.

(51) **LOC (7) Cl.** **23-02**

(52) **U.S. Cl.** **D6/540**

(58) **Field of Search** D6/536-540, 532, D6/574; 211/13.1, 126, 86.01, 87.01, 88.01, 90.01, 126.1, 134; 206/77.1; 248/305.1

(56) **References Cited**

U.S. PATENT DOCUMENTS

D256,861 S * 9/1980 Ryan et al. D6/540

D291,638 S * 9/1987 Chap D6/540
D357,837 S * 5/1995 Kea D6/540
D408,187 S * 4/1999 Forcella, Jr. D6/540
D441,580 S * 5/2001 Moore D6/540
D443,779 S * 6/2001 Moore D6/540
D449,476 S * 10/2001 Ingram D6/540
D451,734 S * 12/2001 Henderson D6/540

* cited by examiner

Primary Examiner—Brian N Vinson

(74) *Attorney, Agent, or Firm*—Edgar A. Zarins; Lloyd D. Doigan

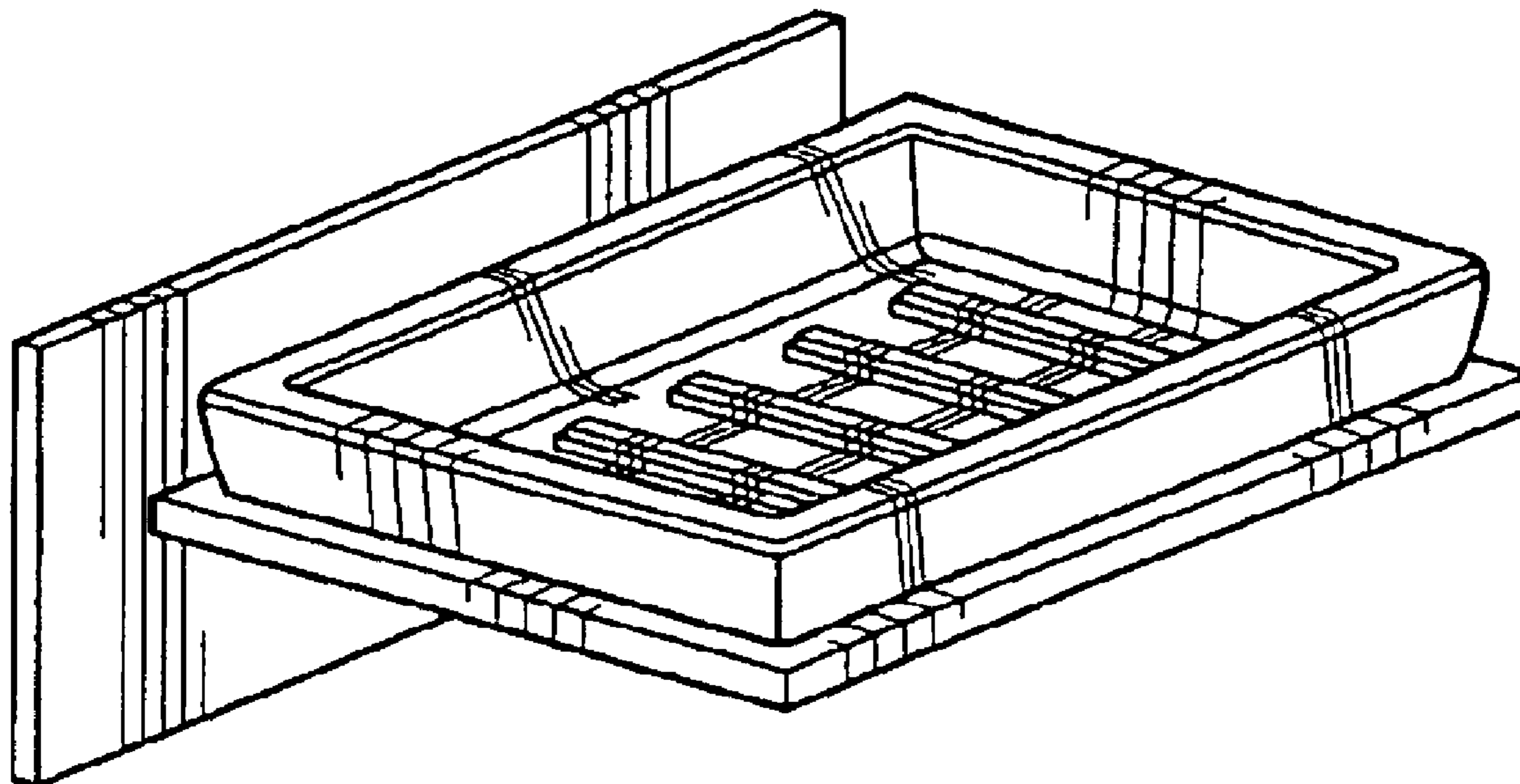
(57) **CLAIM**

The ornamental design for a soap dish, as shown and described.

DESCRIPTION

FIG. 1 is a perspective view of a soap dish showing my new design;
FIG. 2 is a front elevational view thereof;
FIG. 3 is a right side view thereof, the opposite side being a mirror image of the side shown;
FIG. 4 is a top plan view thereof; and,
FIG. 5 is a bottom plan view thereof.

1 Claim, 1 Drawing Sheet



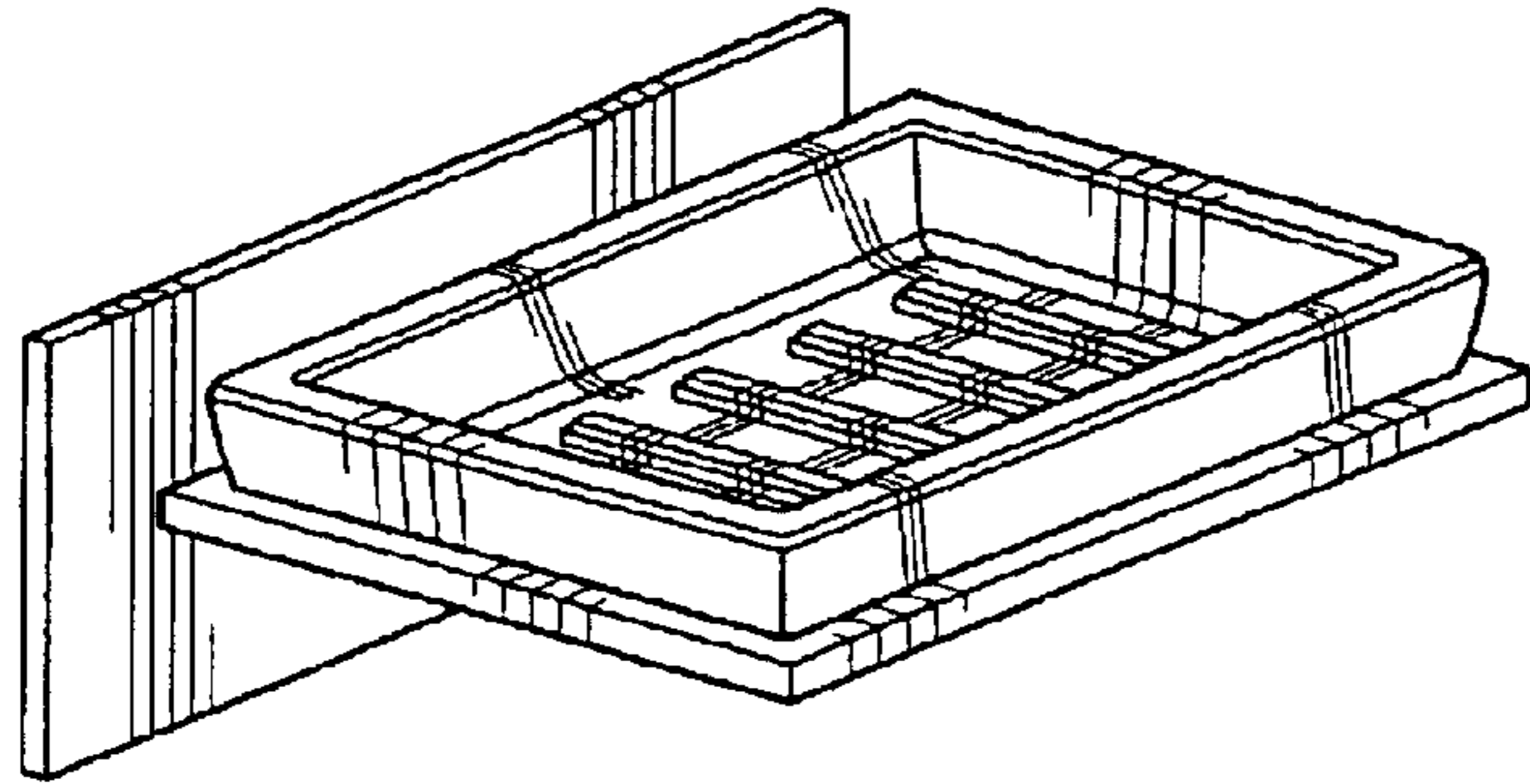


Fig-1

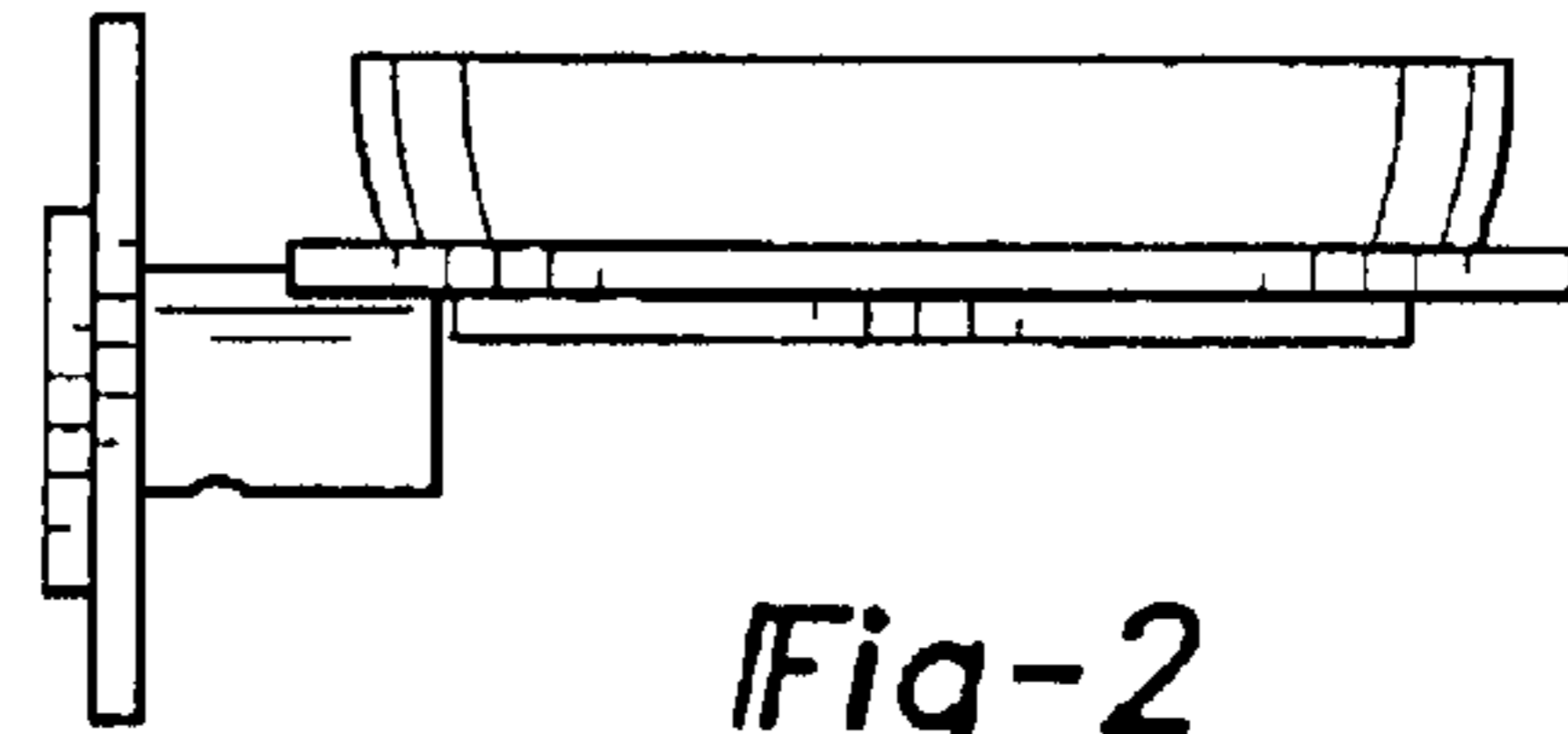


Fig-2

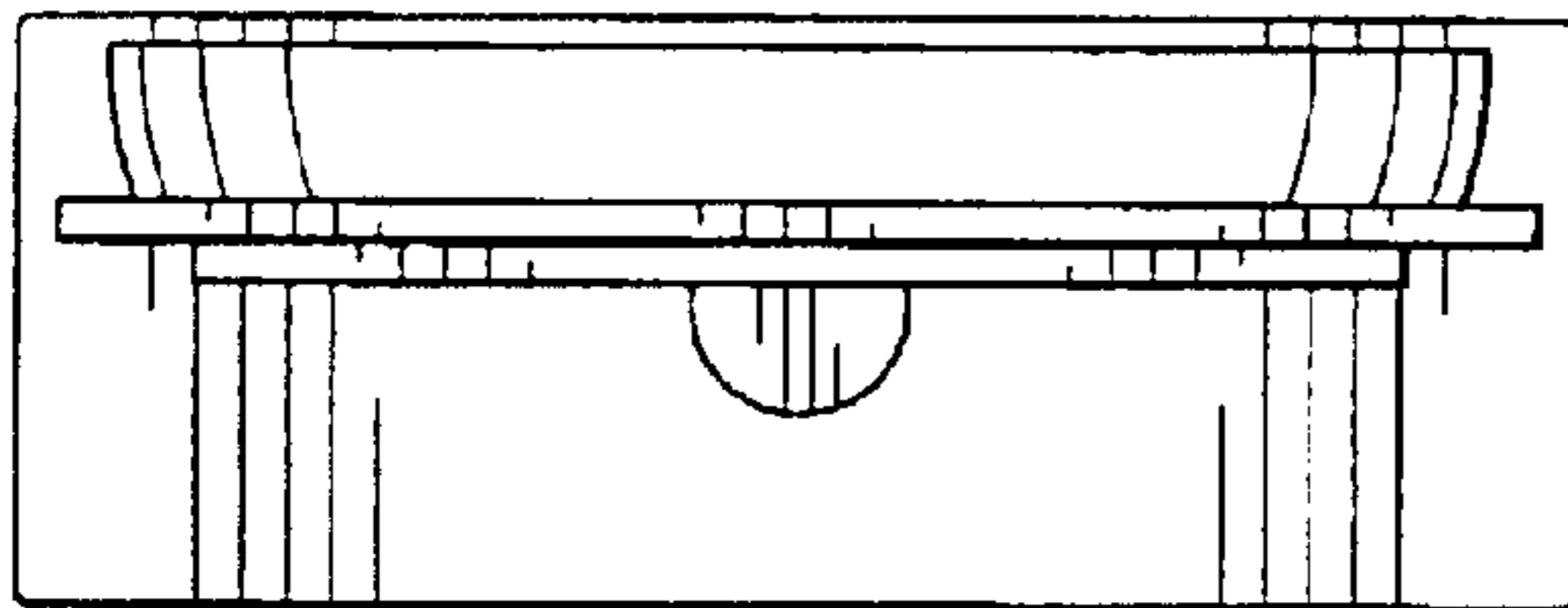


Fig-3

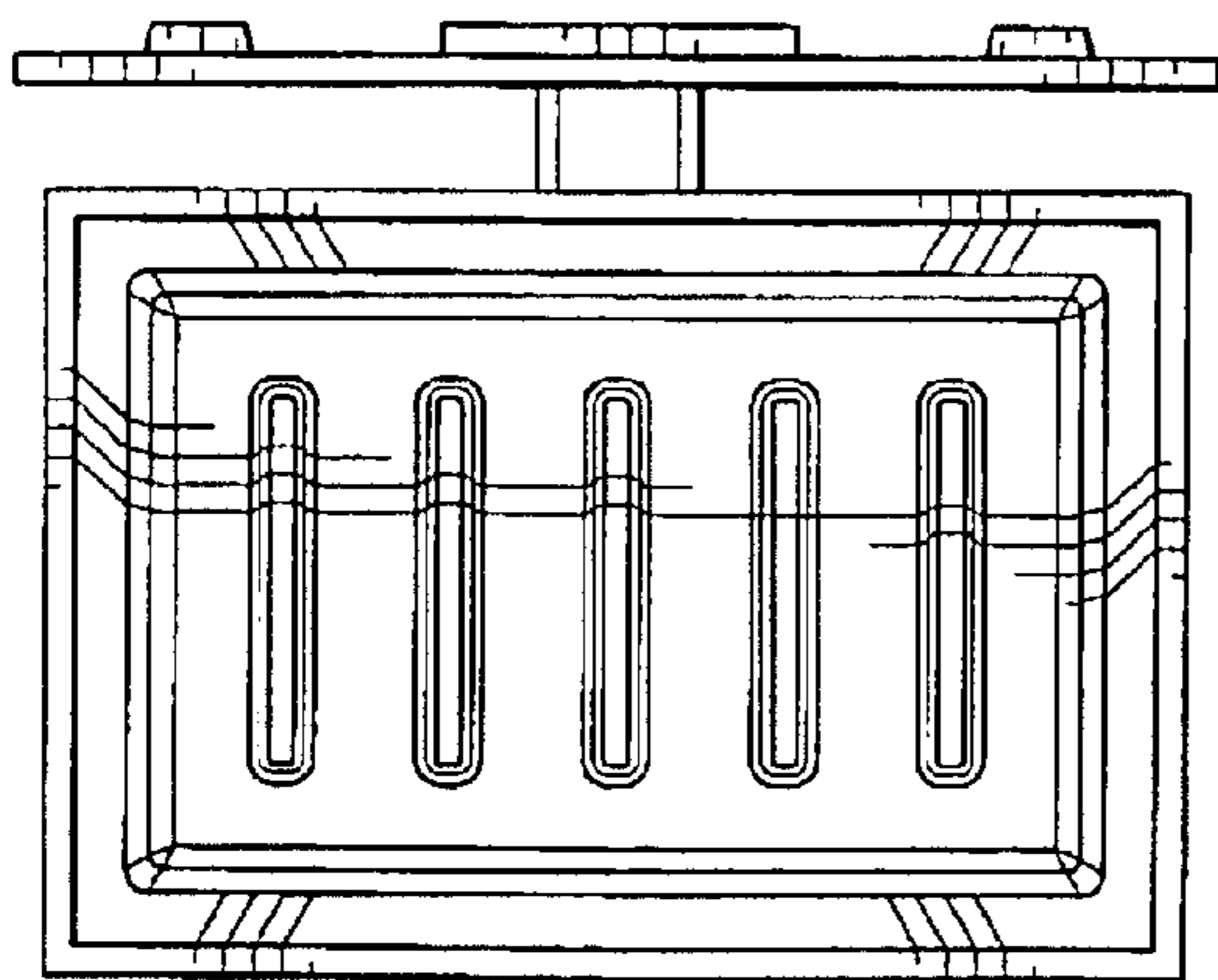


Fig-4

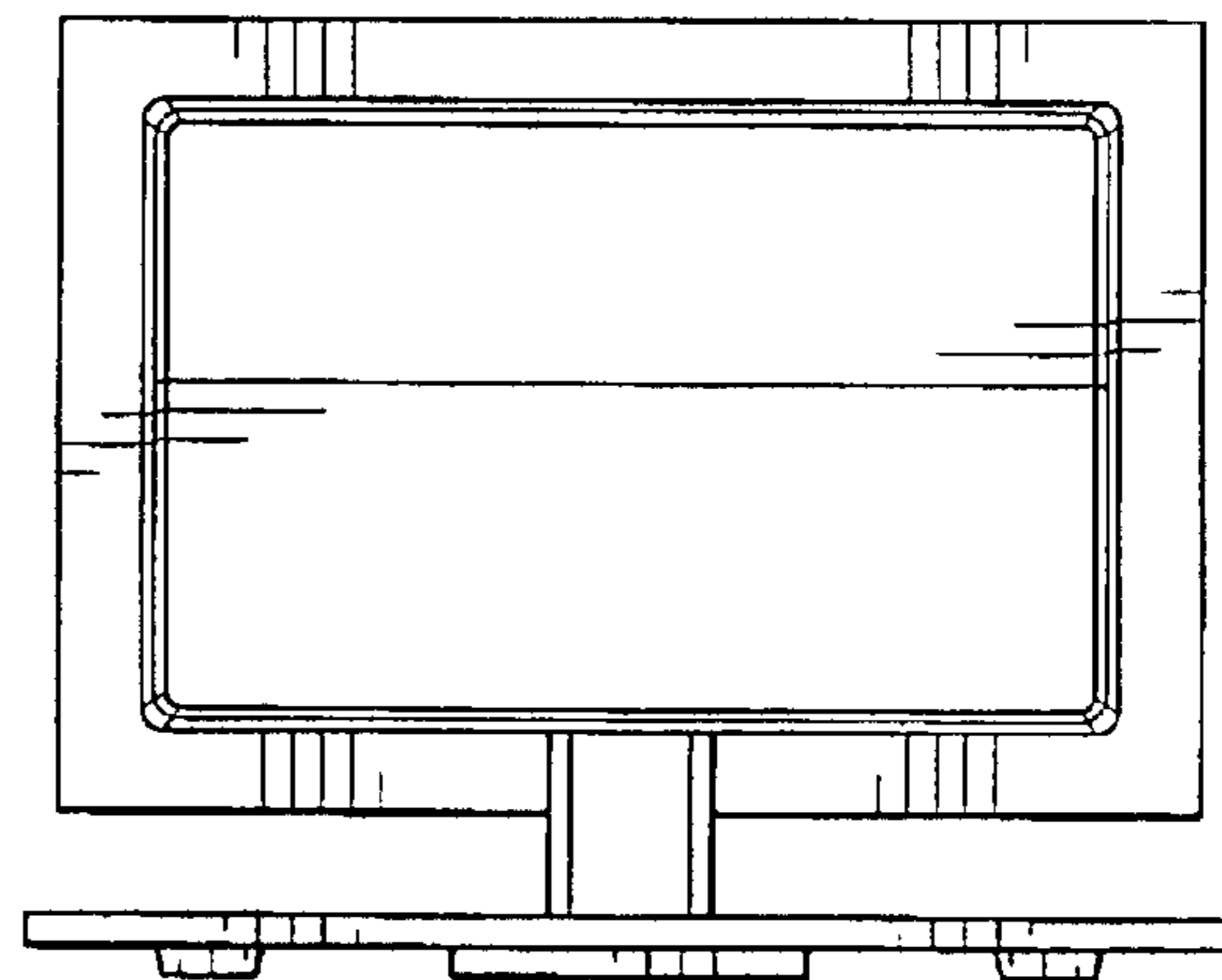


Fig-5