

US00D496815S1

(12) **United States Design Patent**
Putterman

(10) **Patent No.:** **US D496,815 S**

(45) **Date of Patent:** **** Oct. 5, 2004**

(54) **VENDING MACHINE DESIGN**

(76) **Inventor:** **Marc Putterman**, 19445 SW. 14 St.,
Pembroke Pines, FL (US) 33029

(**) **Term:** **14 Years**

(21) **Appl. No.:** **29/189,932**

(22) **Filed:** **Sep. 12, 2003**

(51) **LOC (7) Cl.** **20-02**

(52) **U.S. Cl.** **D6/515**

(58) **Field of Search** D6/515, 518; 211/13.1,
211/44, 45, 49.1, 50, 59.1, 86.01, 87.01;
221/22, 33, 45, 134, 181-182; 206/554

(56) **References Cited**

U.S. PATENT DOCUMENTS

D276,020 S * 10/1984 Battista D7/589

* cited by examiner

Primary Examiner—Brian N Vinson

(74) *Attorney, Agent, or Firm*—Malloy & Malloy, P.A.

(57) **CLAIM**

The ornamental design for a vending machine design, as shown and described.

DESCRIPTION

FIG. 1 is a front perspective view illustrating my design for a vending machine design;

FIG. 2 is a front view thereof;

FIG. 3 is a rear view thereof;

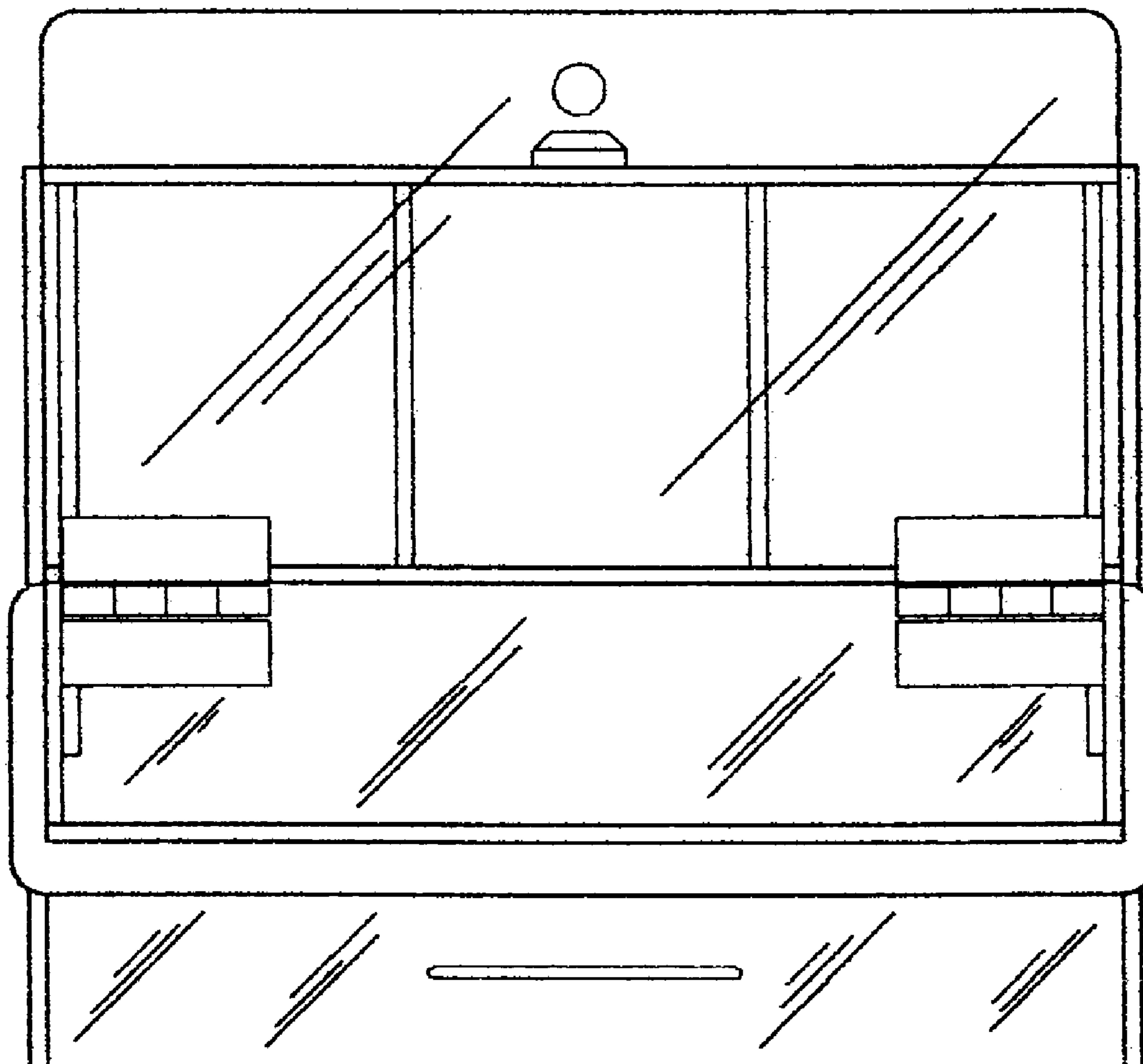
FIG. 4 is a left side view thereof;

FIG. 5 is a top view thereof;

FIG. 6 is a right side view thereof; and,

FIG. 7 is a bottom view thereof.

1 Claim, 4 Drawing Sheets



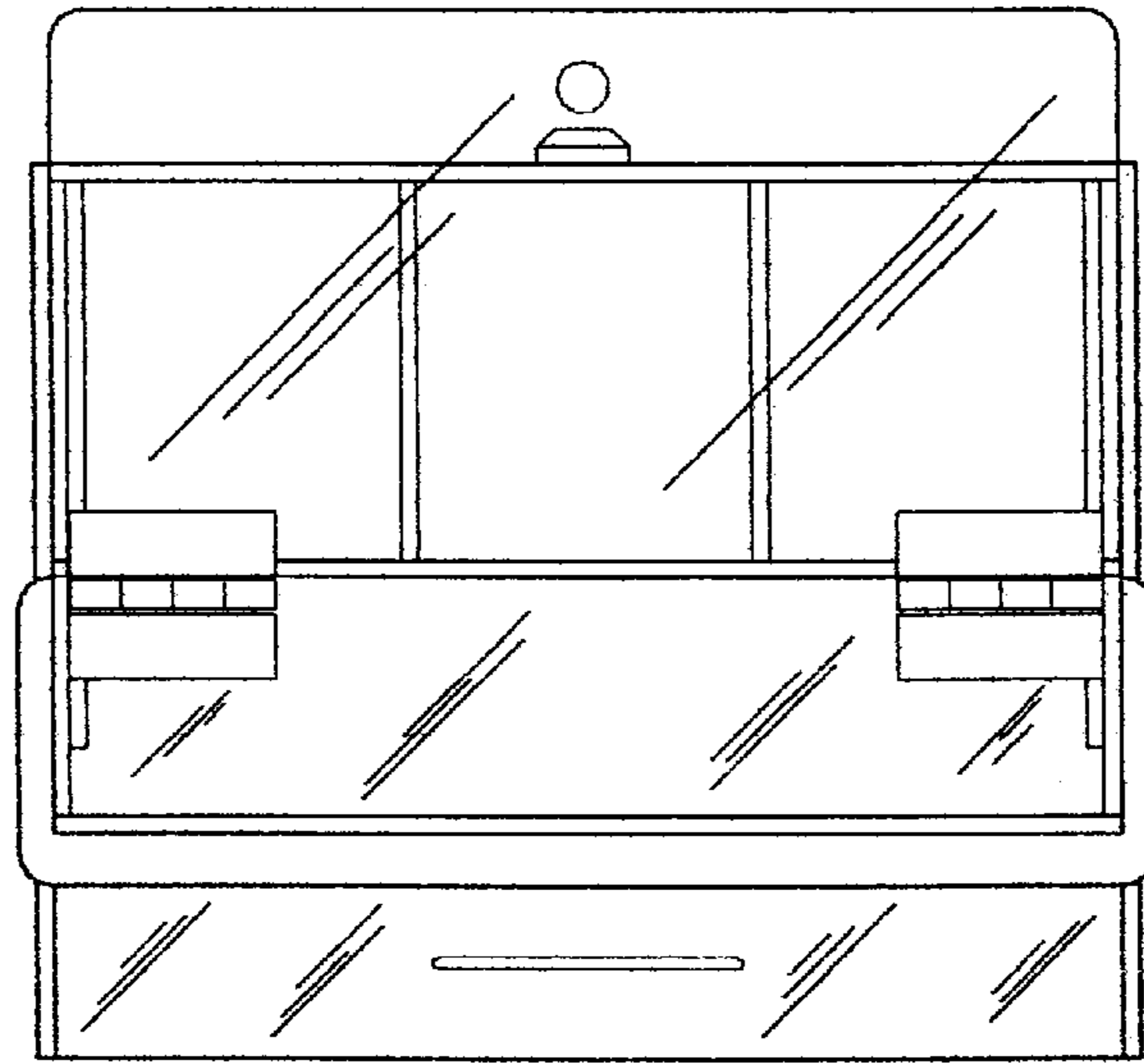


FIG. 1

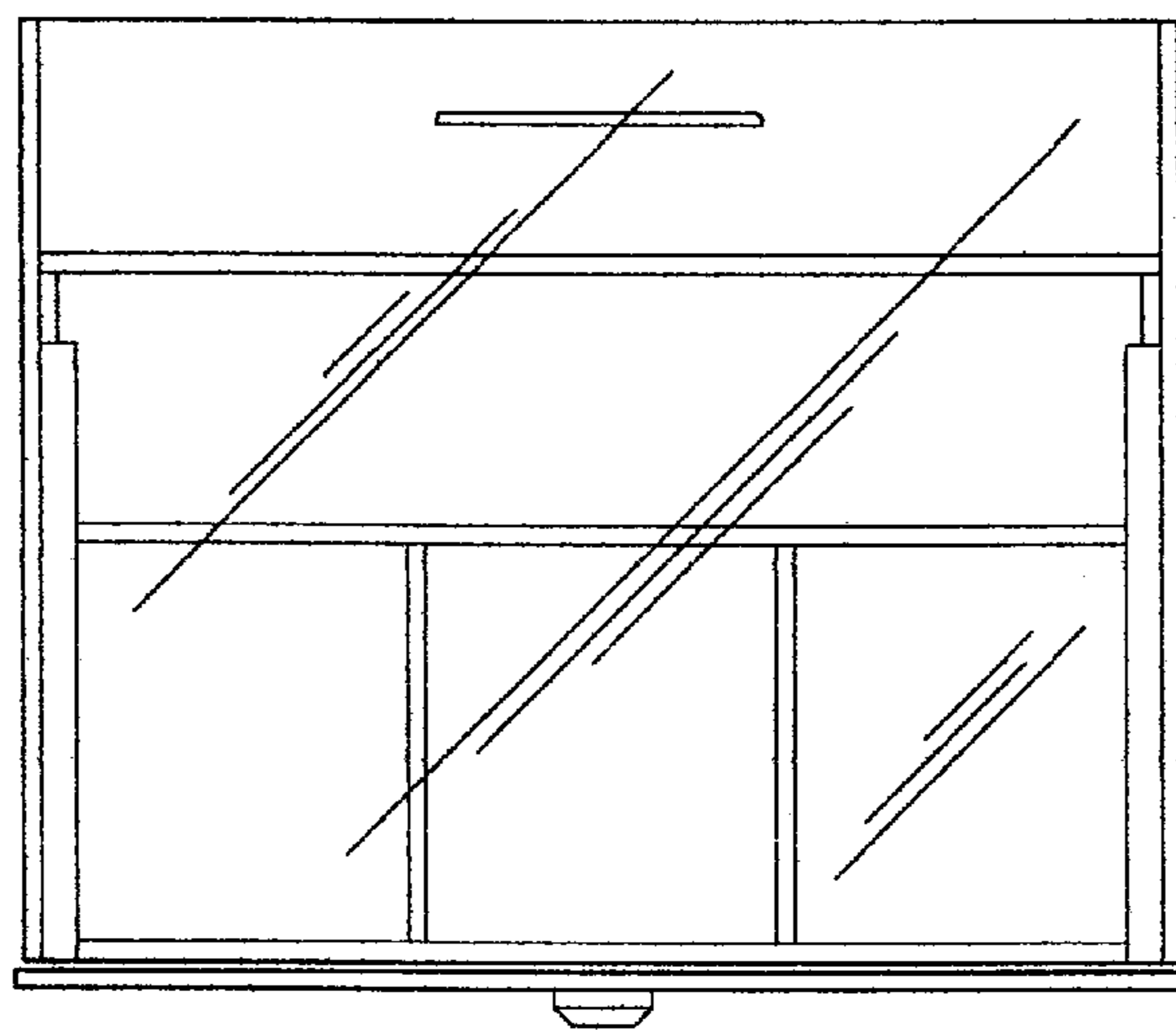


FIG. 6

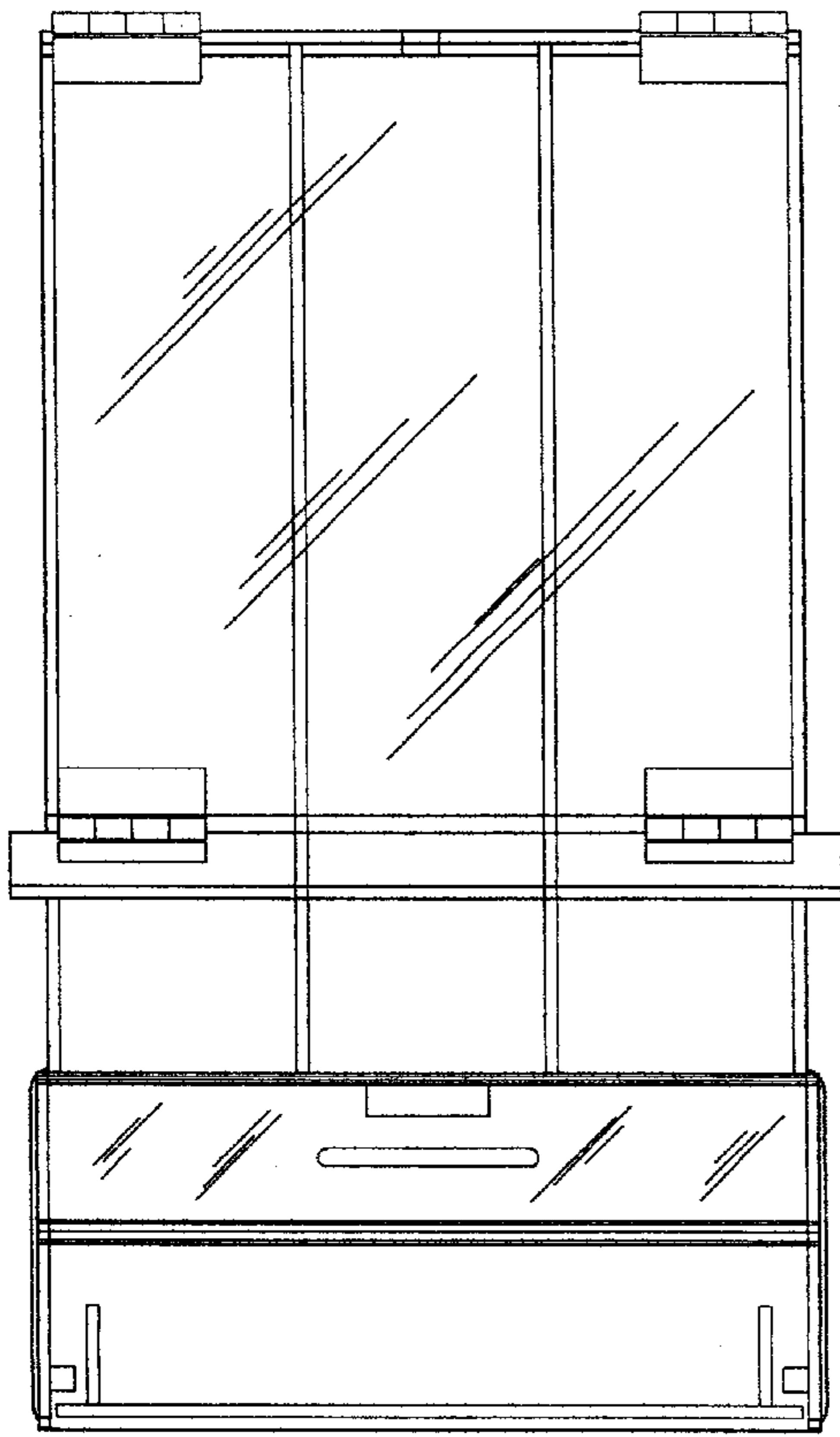


FIG. 2

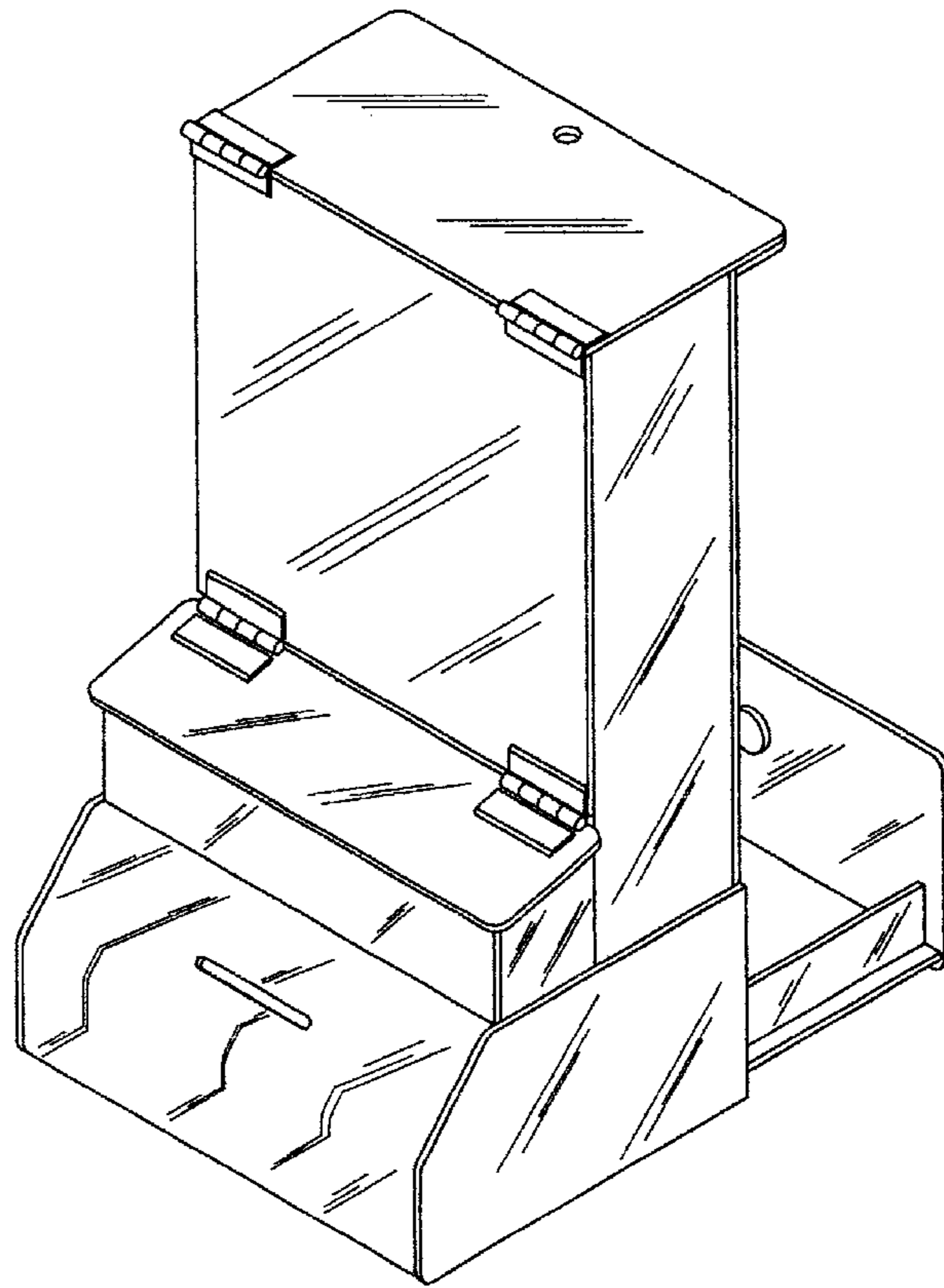


FIG. 7

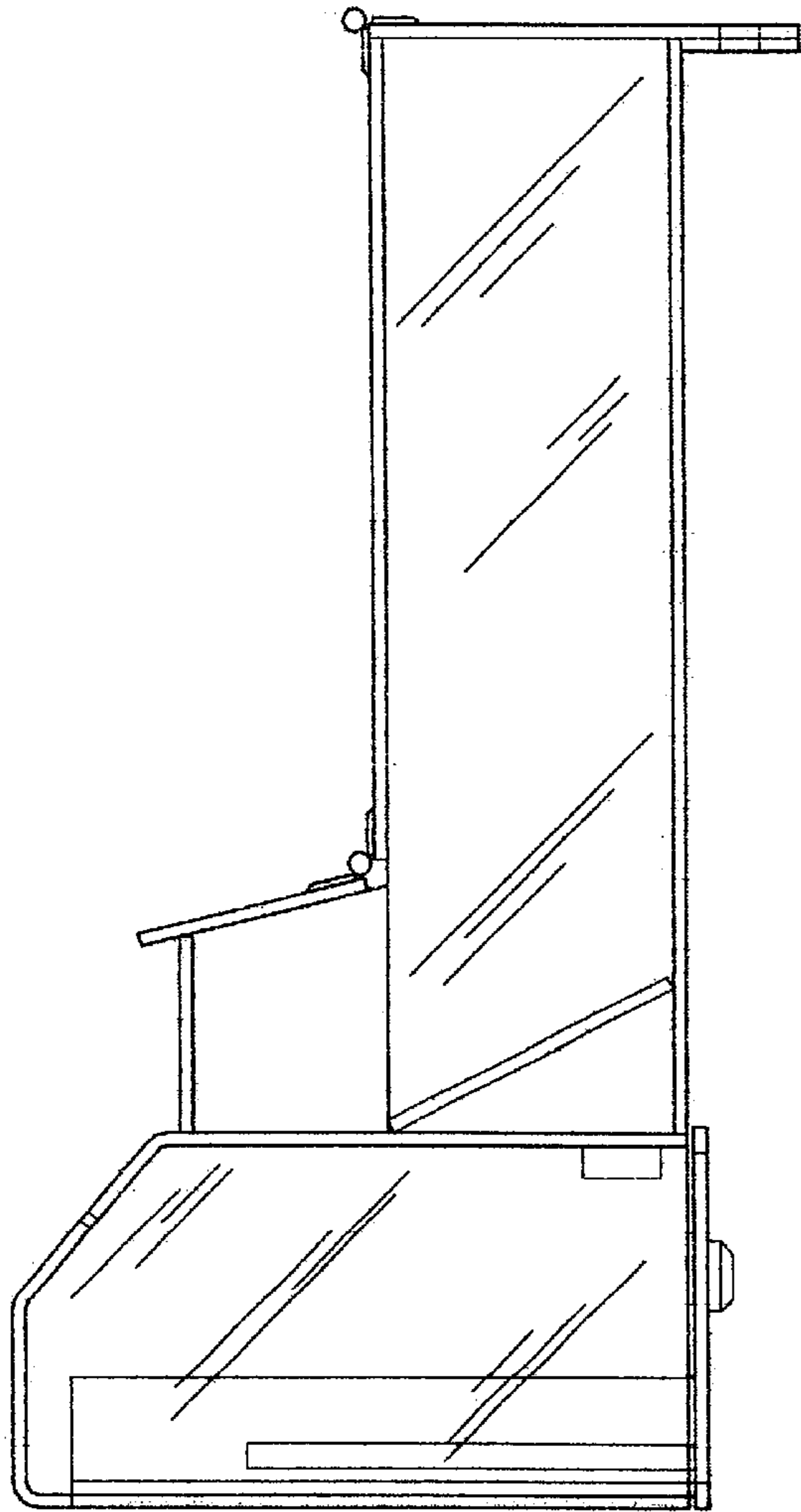


FIG. 3

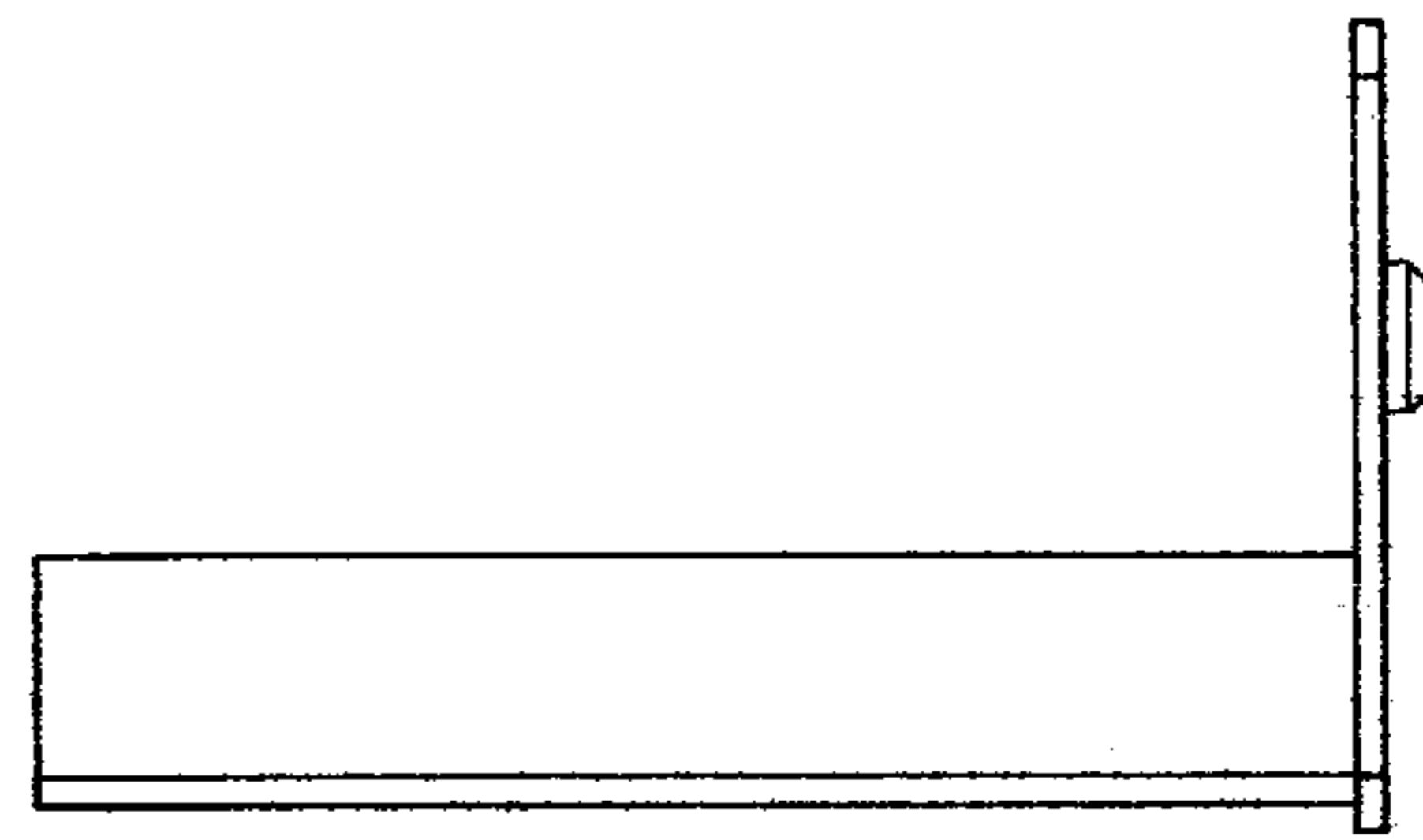


FIG. 4

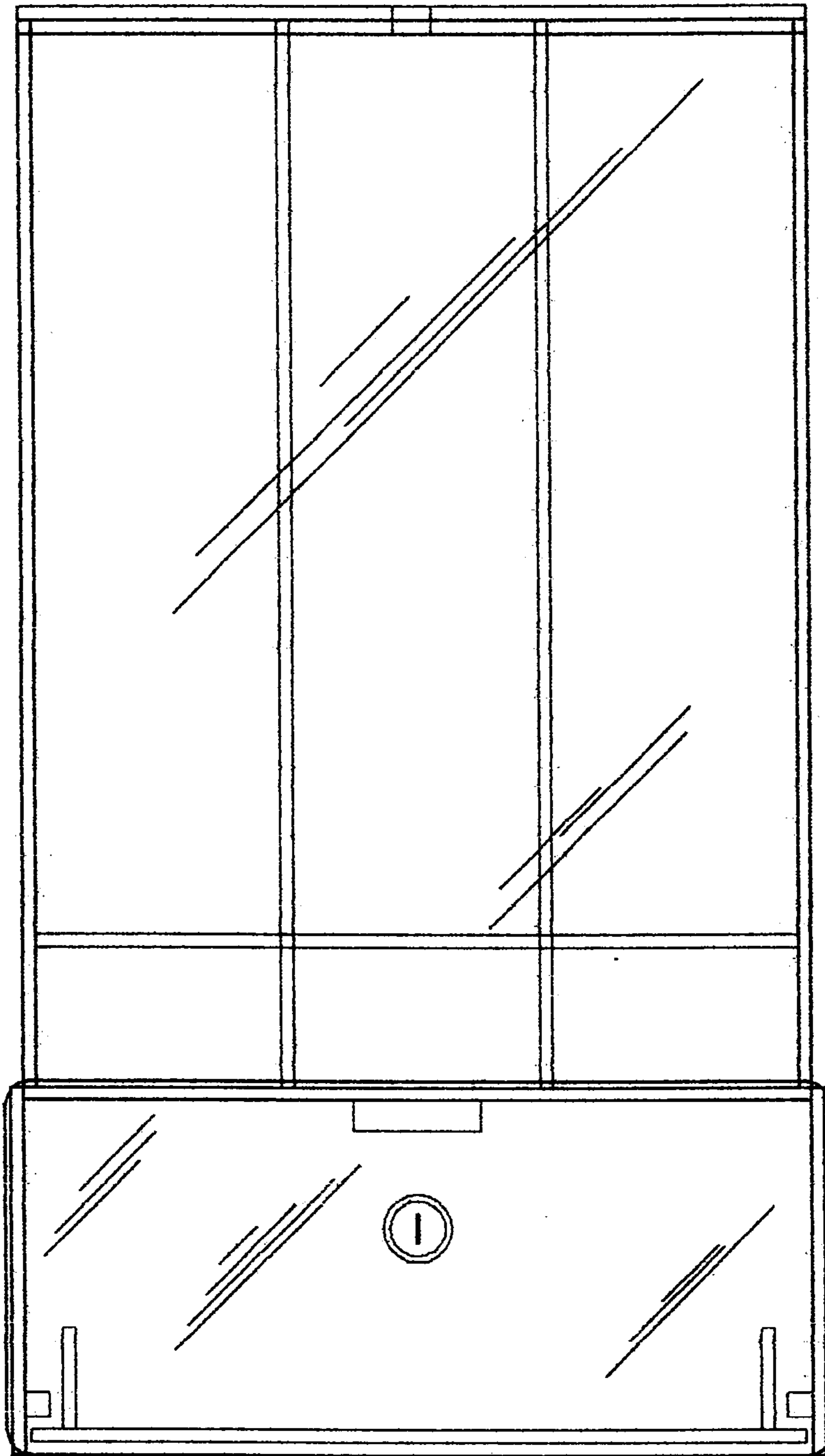


FIG. 5