

US00D496814S1

(12) **United States Design Patent**  
**Hong**

(10) **Patent No.:** **US D496,814 S**

(45) **Date of Patent:** **\*\* Oct. 5, 2004**

(54) **SLIDE**

6,460,954 B1 \* 10/2002 Bayani et al. .... 312/334.44  
6,554,379 B2 \* 4/2003 Devine ..... 312/333

(75) Inventor: **Jang-Sun Hong**, Seoul (KR)

\* cited by examiner

(73) Assignee: **Jeonhan Slide Co., Ltd.**,  
Geumwang-eup (KR)

*Primary Examiner*—Cathron Brooks  
(74) *Attorney, Agent, or Firm*—Staas & Halsey LLP

(\*\*) Term: **14 Years**

(57) **CLAIM**

(21) Appl. No.: **29/188,587**

The ornamental design for the slide, as shown in the drawings and described herein.

(22) Filed: **Aug. 21, 2003**

**DESCRIPTION**

(51) **LOC (7) Cl.** ..... **06-06**

(52) **U.S. Cl.** ..... **D6/510**

(58) **Field of Search** ..... D6/491, 505, 509–511;  
108/152; 248/225.2; 312/111, 330.1, 334.8,  
334.11, 334.46

FIG. 1 is a perspective view showing the complete fully assembled article of the slide embodying the new design; FIG. 2 is a front elevational view thereof; FIG. 3 is a rear elevational view thereof; FIG. 4 is a right-side elevational view thereof; FIG. 5 is a left-side elevational view thereof; FIG. 6 is a top plan view thereof; FIG. 7 is a bottom plan view thereof; FIG. 8 is a front perspective view showing the operation of the front side slide shown separately for completeness of illustration; and, FIG. 9 is a rear perspective view showing the operation of the front side slide shown separately for completeness of illustration.

(56) **References Cited**

**U.S. PATENT DOCUMENTS**

3,876,263	A	*	4/1975	Oleksiak	.....	312/334.44
D291,636	S	*	9/1987	Rechberg	.....	D6/510
D298,708	S	*	11/1988	Nygren	.....	D6/491
5,551,775	A	*	9/1996	Parvin	.....	312/334.11
5,951,132	A	*	9/1999	Cirocco	.....	312/334.46
D428,285	S	*	7/2000	Hughes et al.	.....	D6/510
6,145,944	A	*	11/2000	Bayani et al.	.....	312/334.44
6,382,751	B1	*	5/2002	Chiu	.....	312/334.11

**1 Claim, 9 Drawing Sheets**

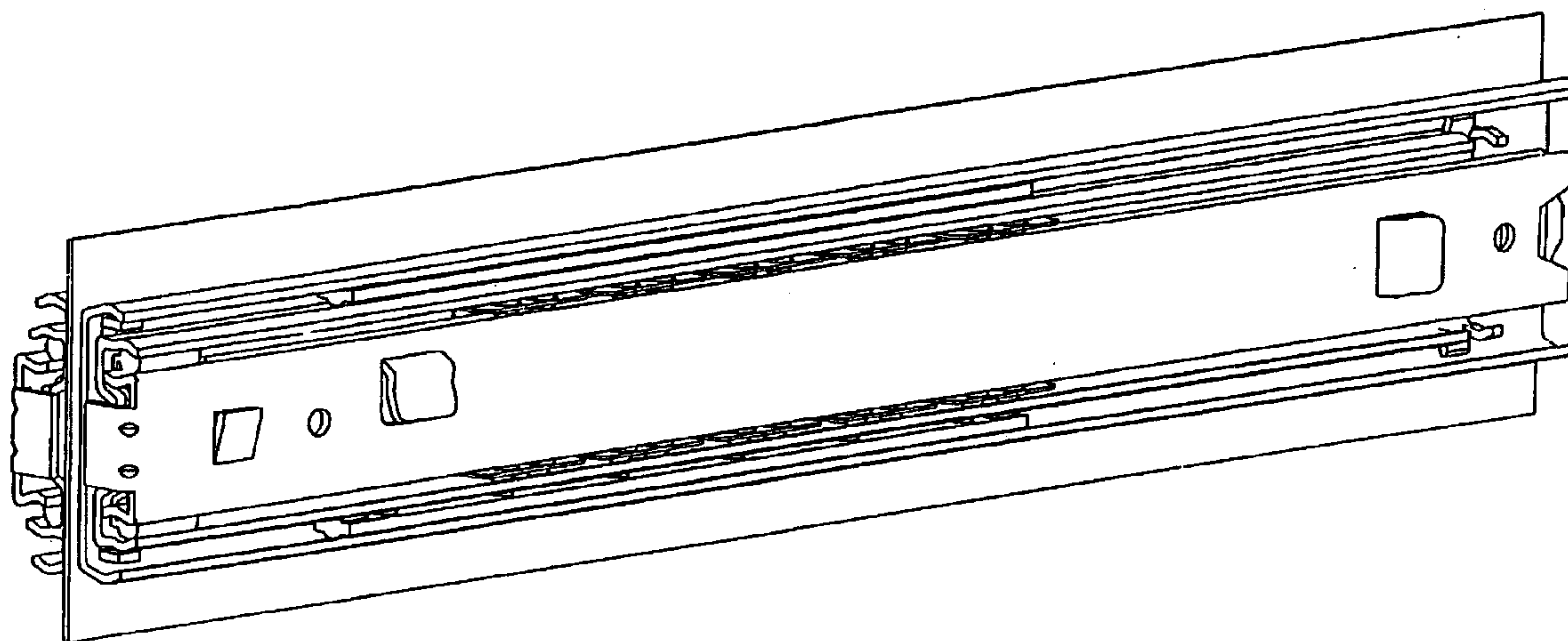
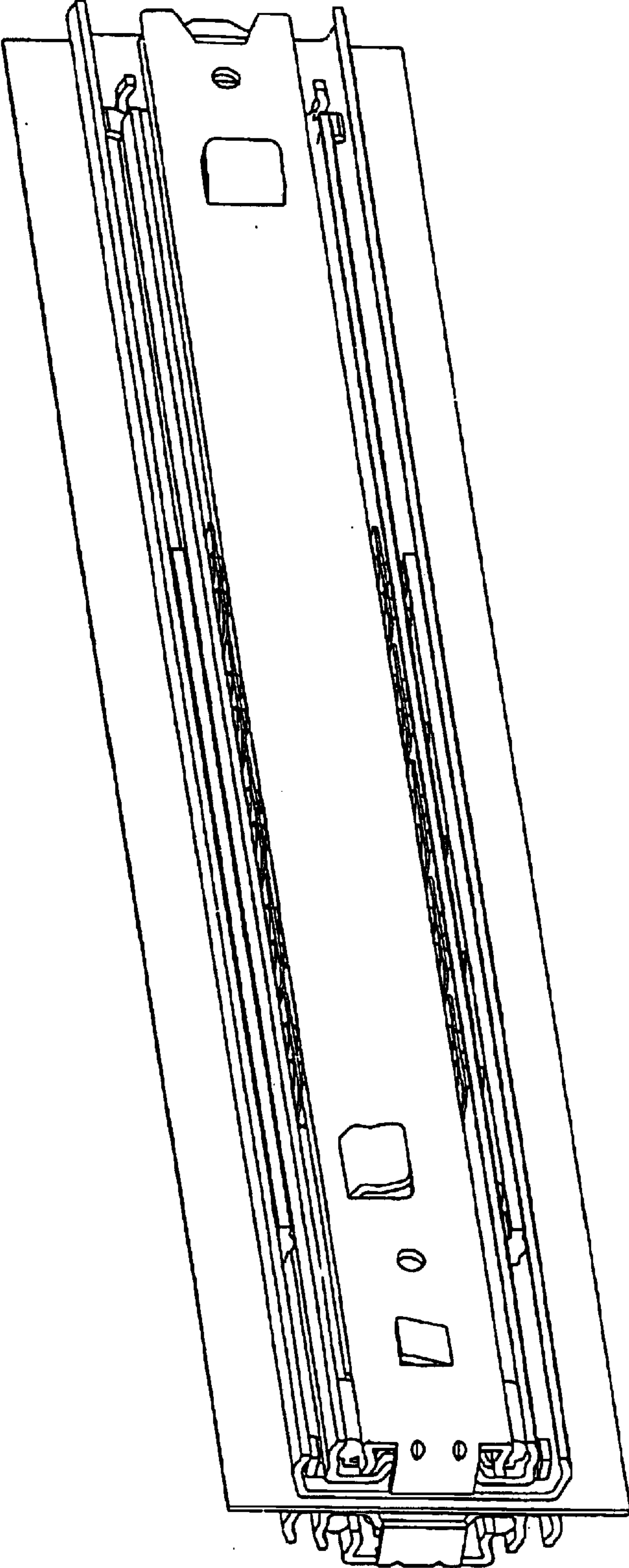


FIG. 1



**FIG. 2**

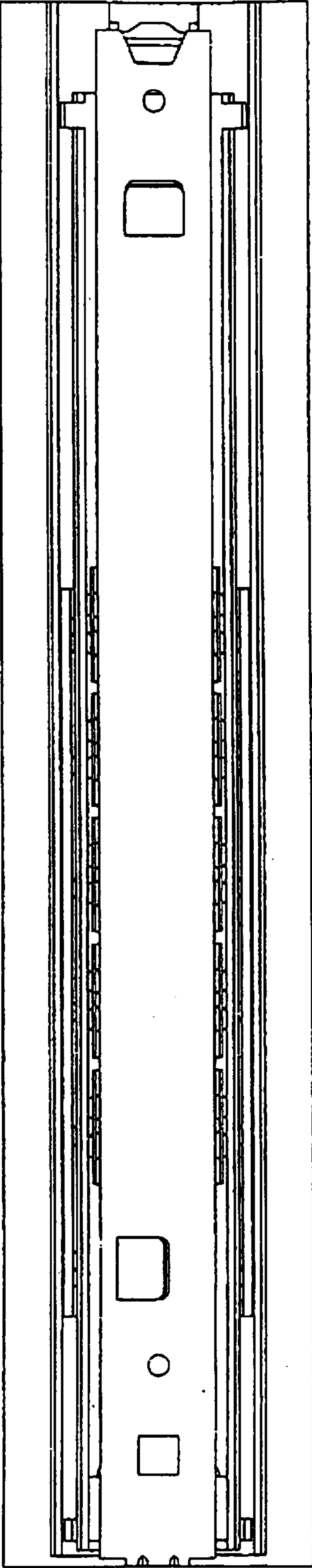
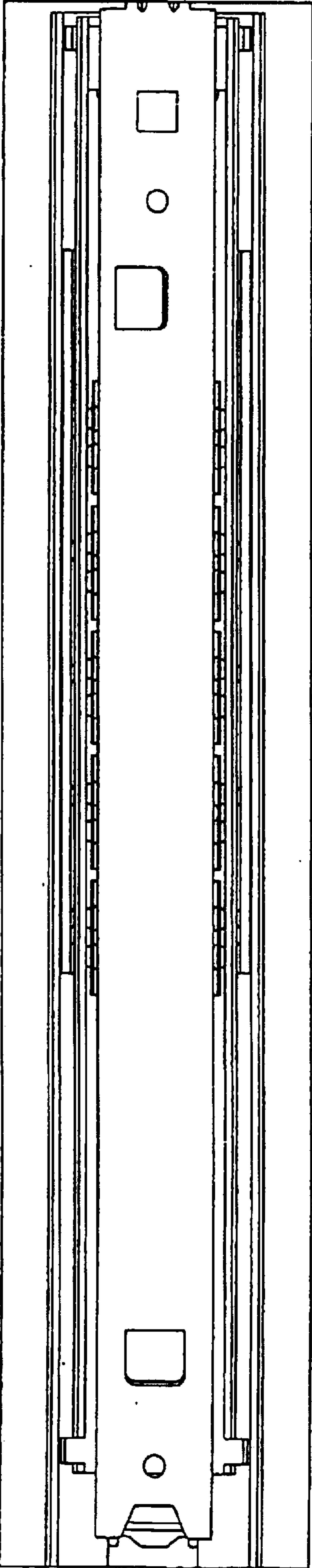
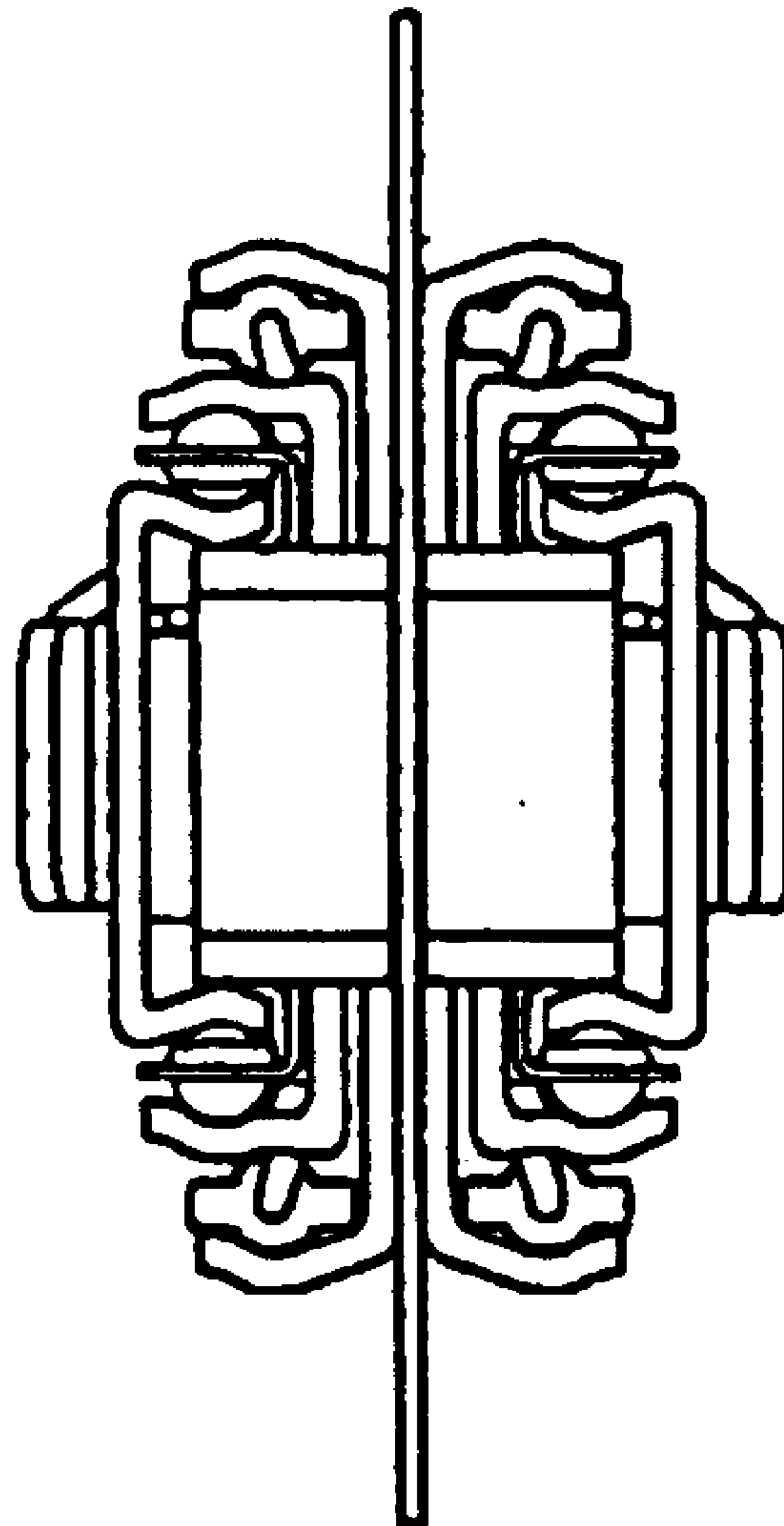


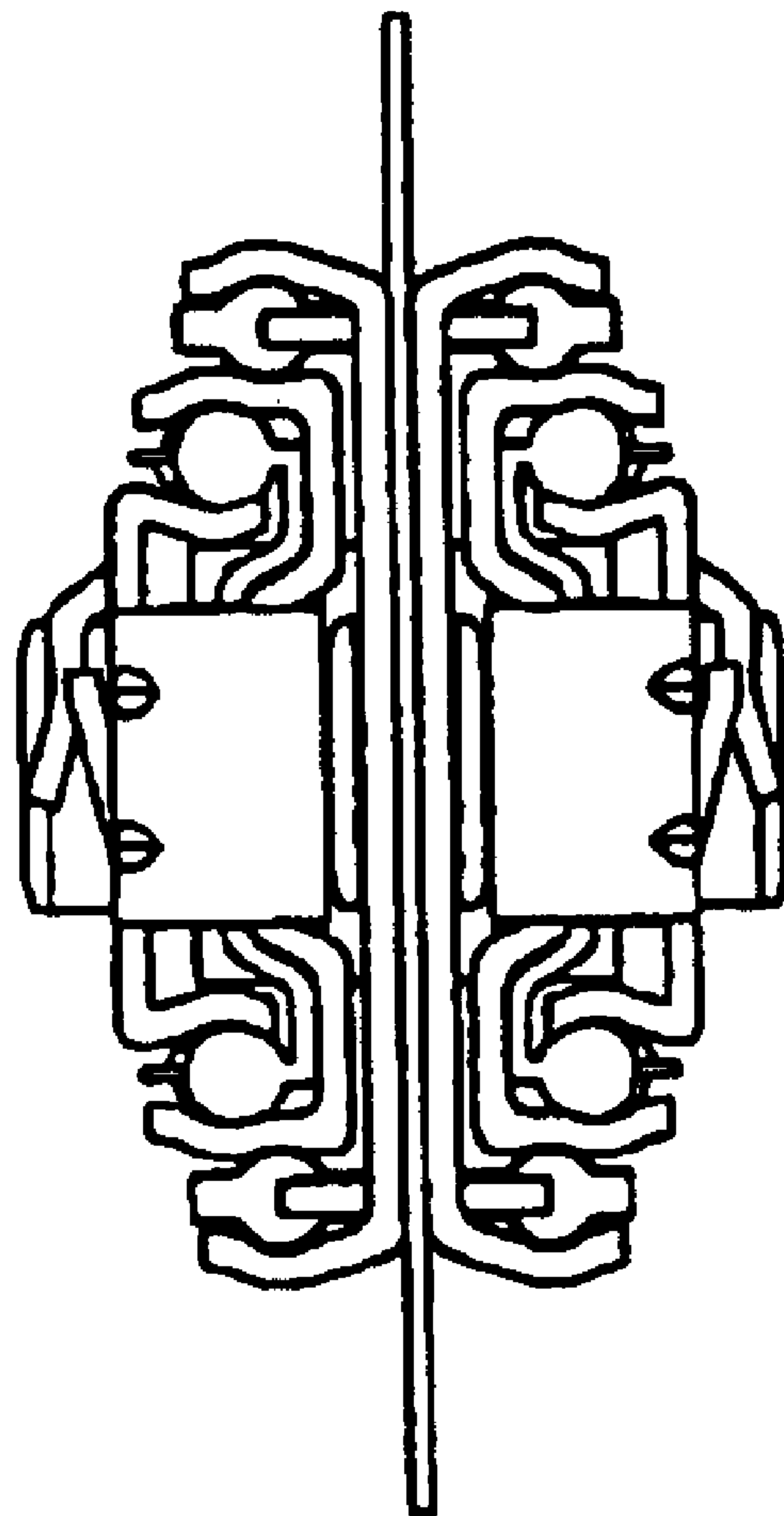
FIG. 3



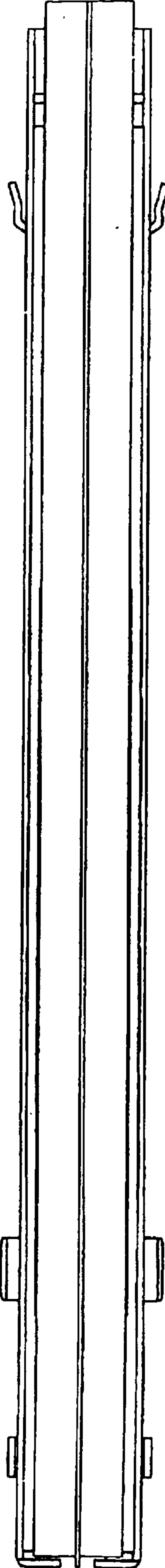
# FIG. 4



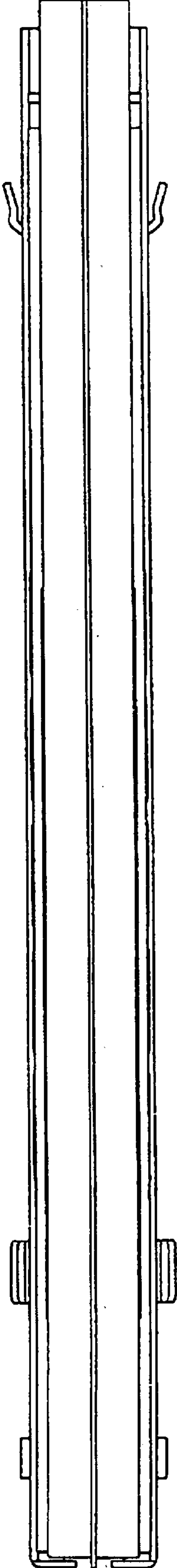
# FIG. 5



**FIG. 6**

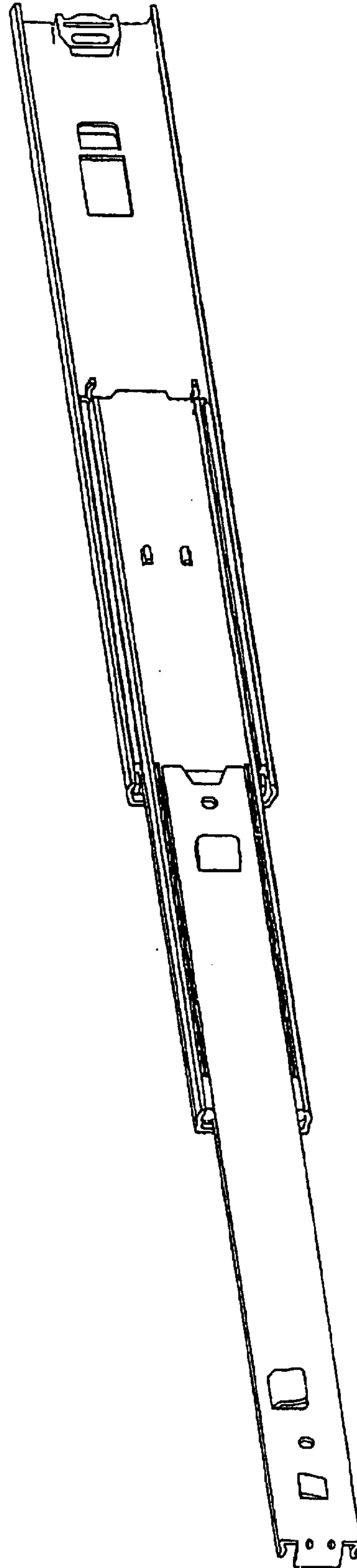


**FIG. 7**





**FIG. 8**



**FIG. 9**

