

US00D496813S1

(12) **United States Design Patent**
Nakajima

(10) **Patent No.:** **US D496,813 S**

(45) **Date of Patent:** **** Oct. 5, 2004**

(54) **SEAT FOR STOOL**

D308,606 S * 6/1990 Behringer D6/366
6,030,045 A * 2/2000 Hoshino 297/461
6,672,660 B2 * 1/2004 Hoshino 297/461

(75) Inventor: **Kazuhito Nakajima**, Shizuoka (JP)

(73) Assignee: **Yamaha Corporation**, Shizuoka (JP)

(**) Term: **14 Years**

* cited by examiner

Primary Examiner—Gary D. Watson

(74) *Attorney, Agent, or Firm*—Sughrue Mion, PLLC

(21) Appl. No.: **29/187,225**

(57) **CLAIM**

(22) Filed: **Jul. 30, 2003**

The ornamental design for a seat for stool, as shown and described.

(30) **Foreign Application Priority Data**

Jan. 31, 2003 (JP) 2003-002137

DESCRIPTION

(51) **LOC (7) Cl.** **06-01**

FIG. 1 is a perspective view of the top, front and right side of a seat for stool according my new design;

(52) **U.S. Cl.** **D6/502; D6/349**

FIG. 2 is a front elevational view thereof;

(58) **Field of Search** D6/334, 335, 336,

FIG. 3 is a top plan view thereof;

D6/340, 349, 366, 374, 500, 501, 502;

FIG. 4 is a bottom plan view thereof;

297/423.39, 423.41, 461

FIG. 5 is a right side elevational view thereof;

FIG. 6 is a left side elevational view thereof;

(56) **References Cited**

U.S. PATENT DOCUMENTS

D183,407 S * 8/1958 Schaefer D6/340

D217,961 S * 7/1970 Strassle D6/349

D221,752 S * 9/1971 Brewer D6/349

D294,546 S * 3/1988 Opsvik D6/500

D297,690 S * 9/1988 Opsvik D6/500

FIG. 7 is a rear elevational view thereof; and,

FIG. 8 is a view similar to FIG. 2 with the seat in position on a stool.

The elements shown in broken lines are for illustrative purposes only and form no part of the claimed design.

1 Claim, 4 Drawing Sheets

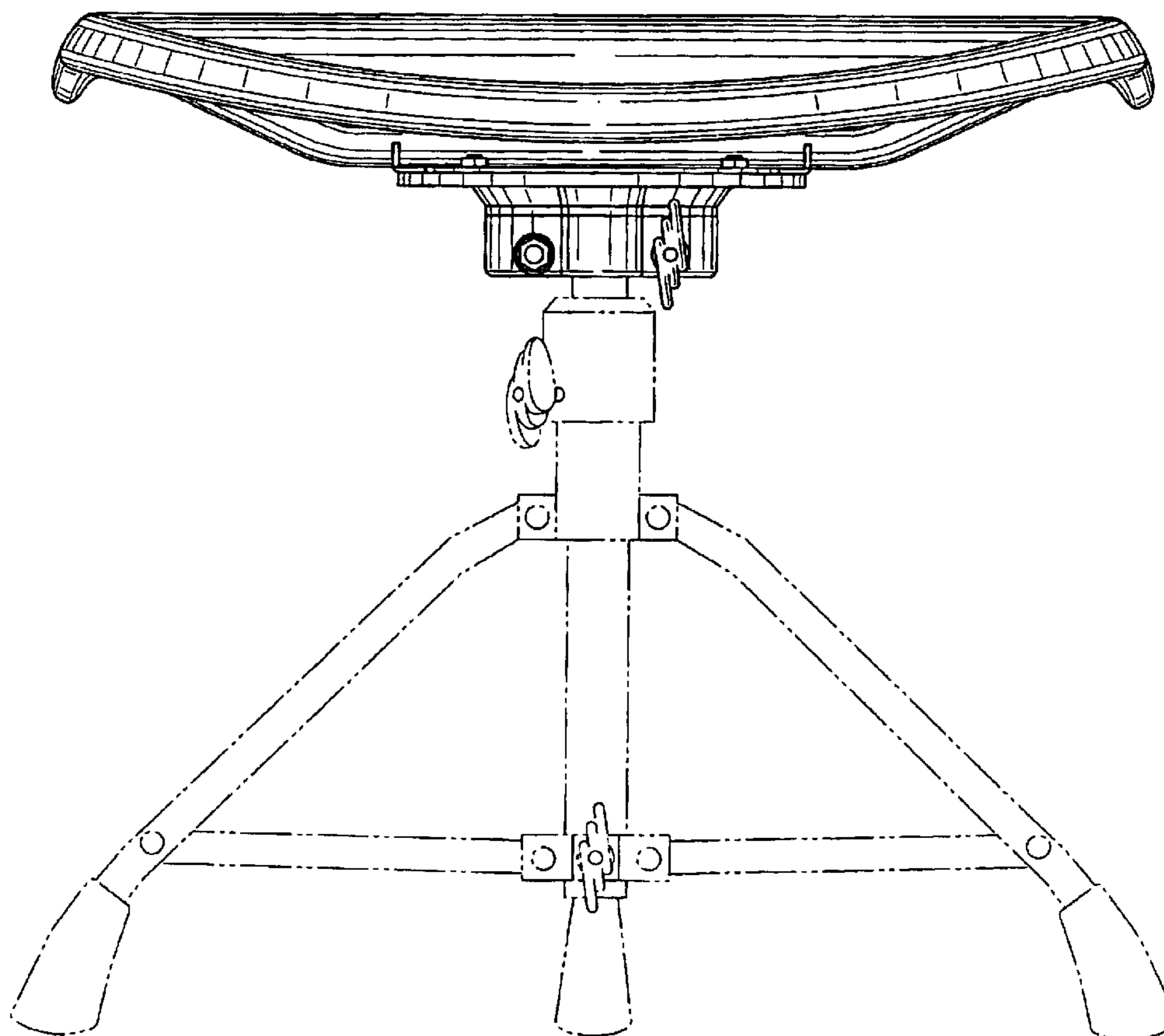


FIG. 1

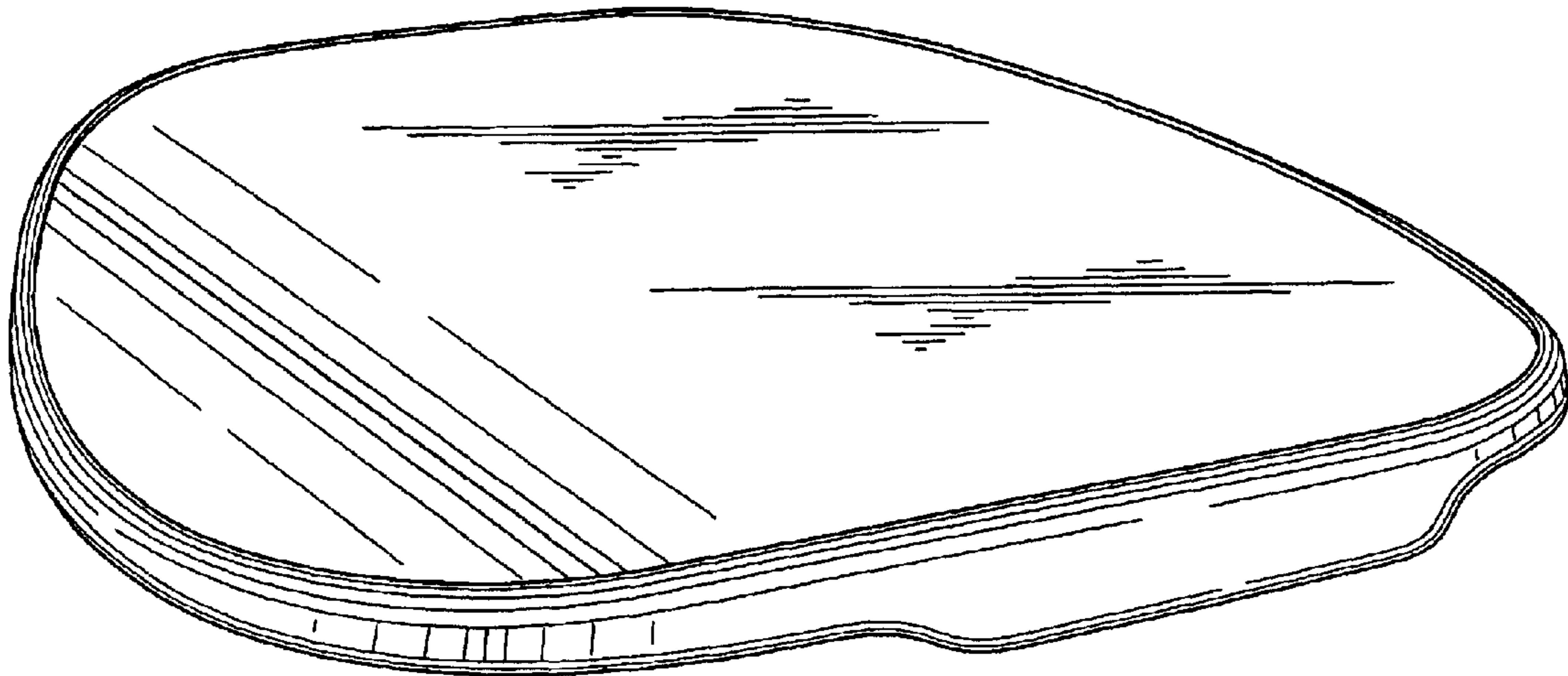


FIG. 2

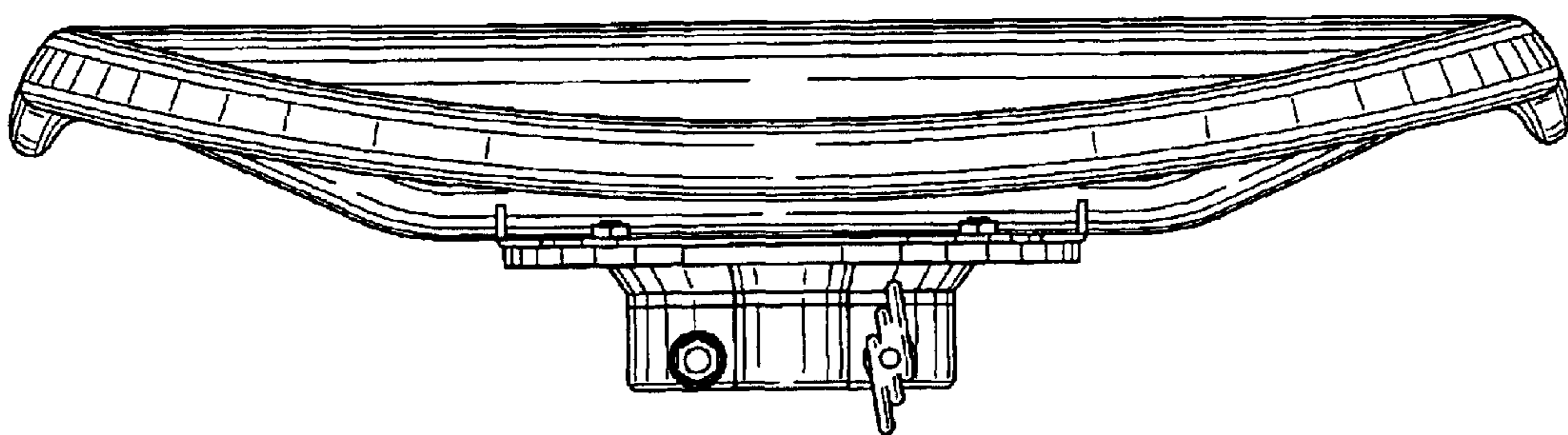


FIG. 3

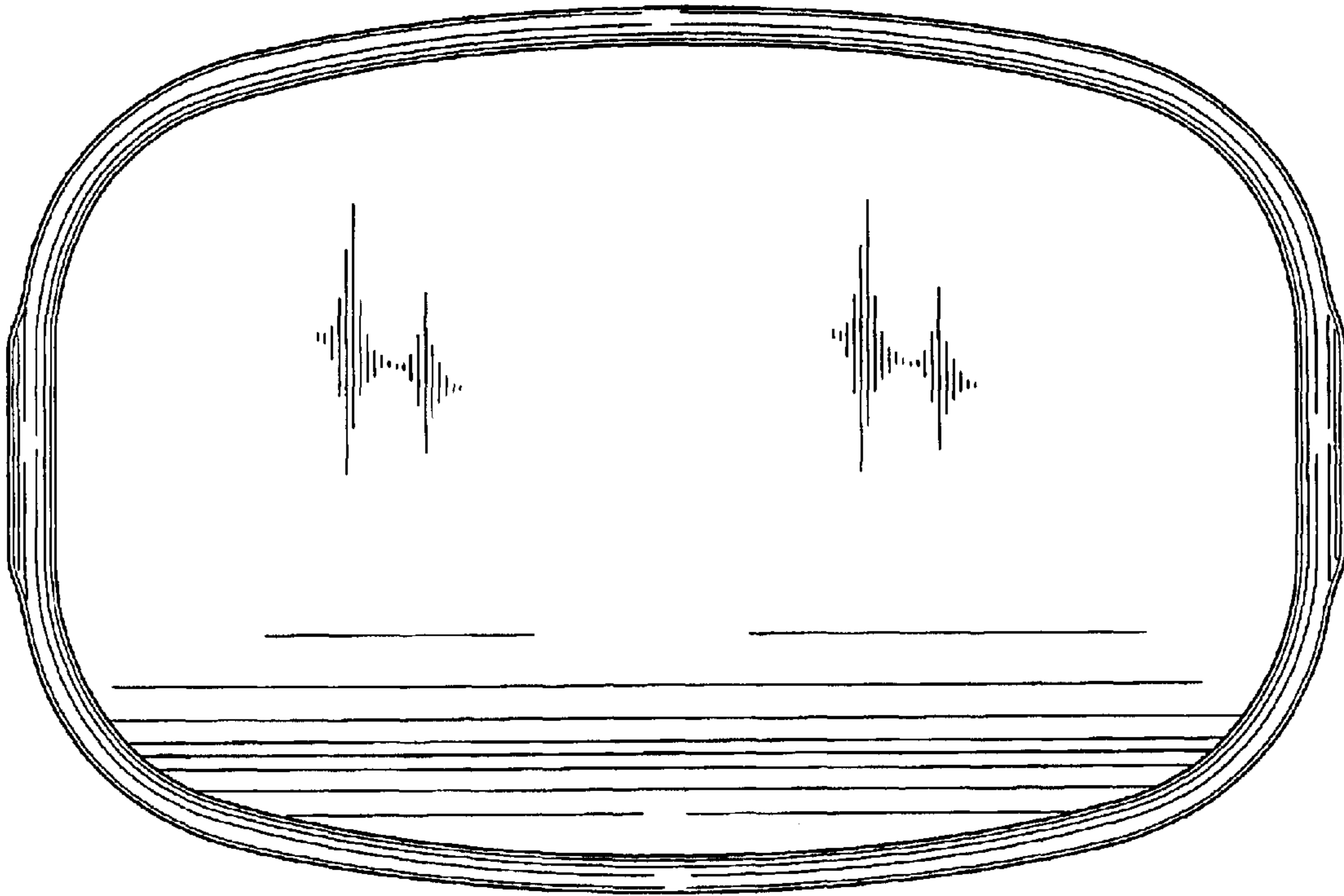


FIG. 4

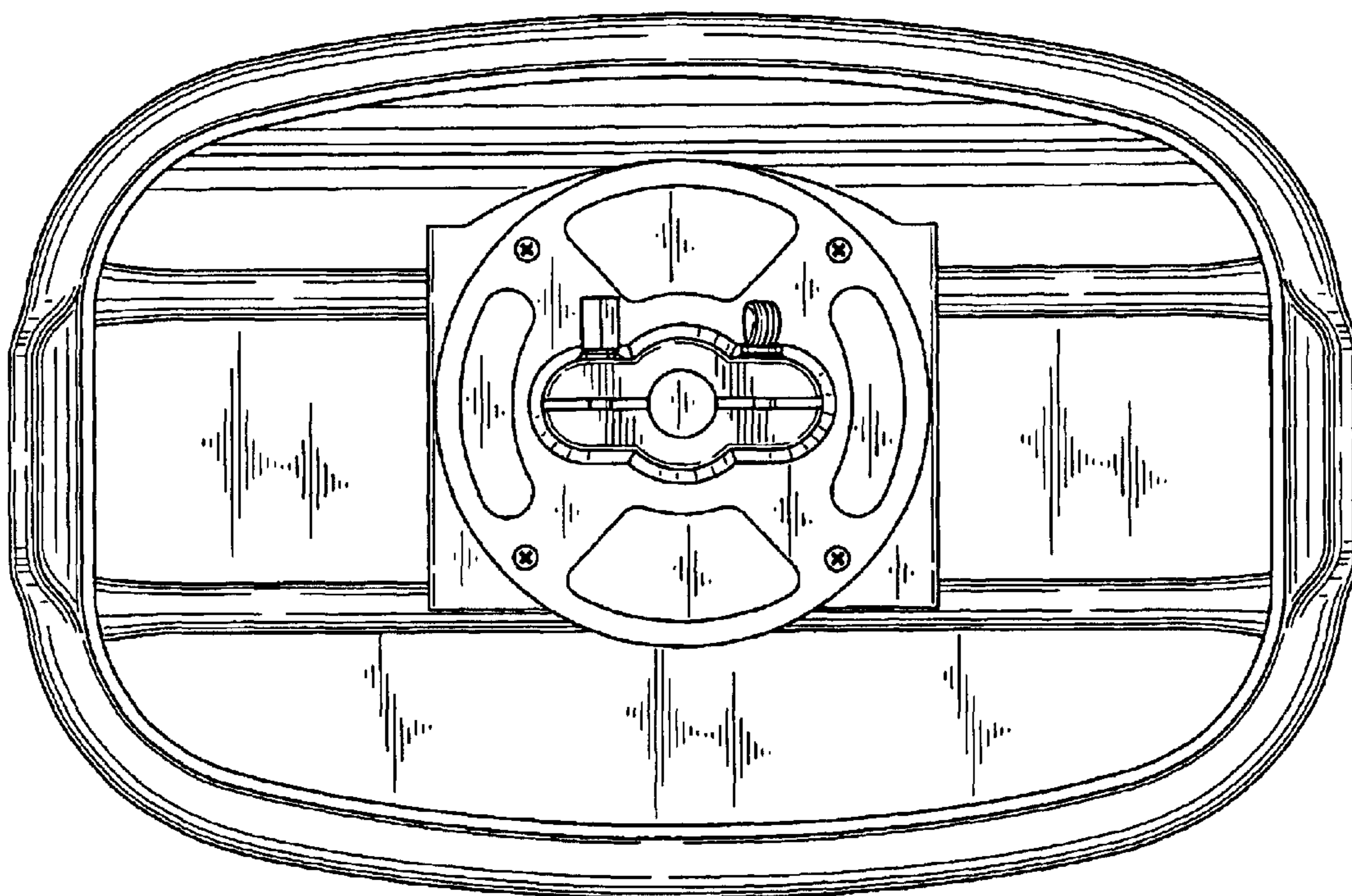


FIG. 5

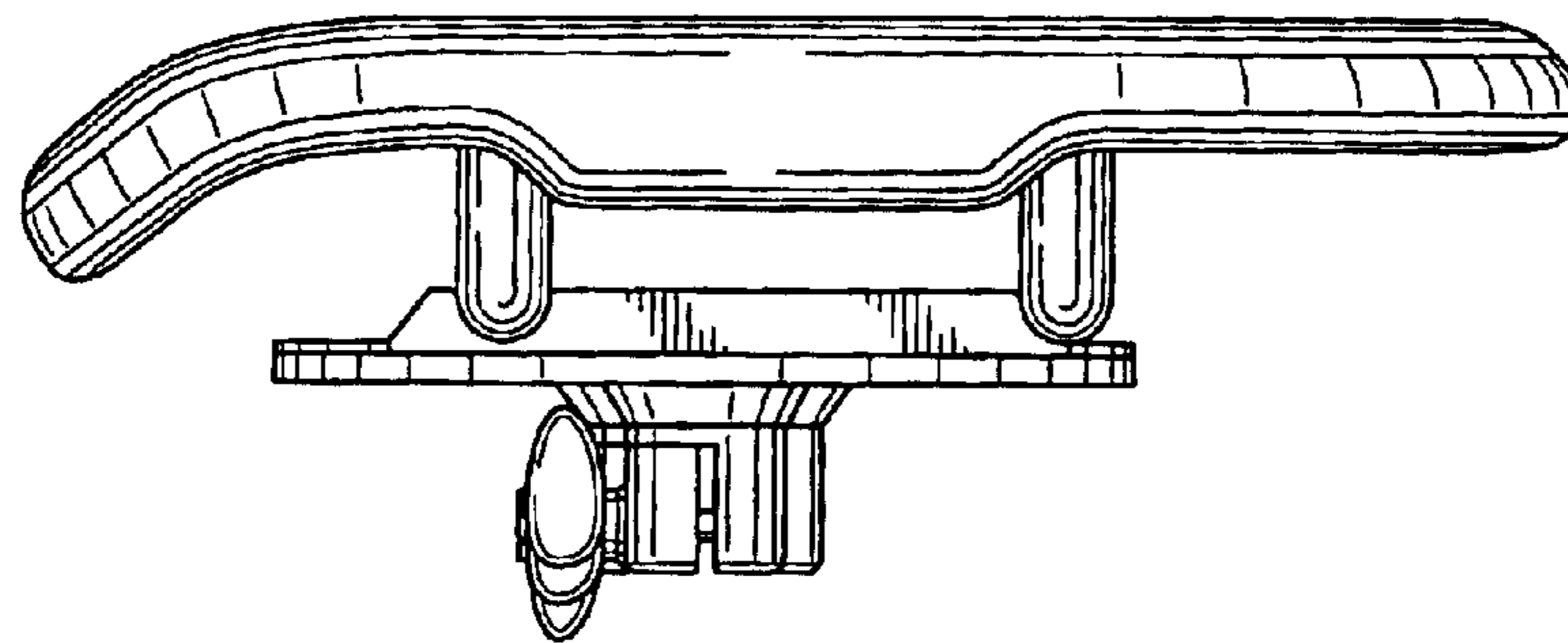


FIG. 6

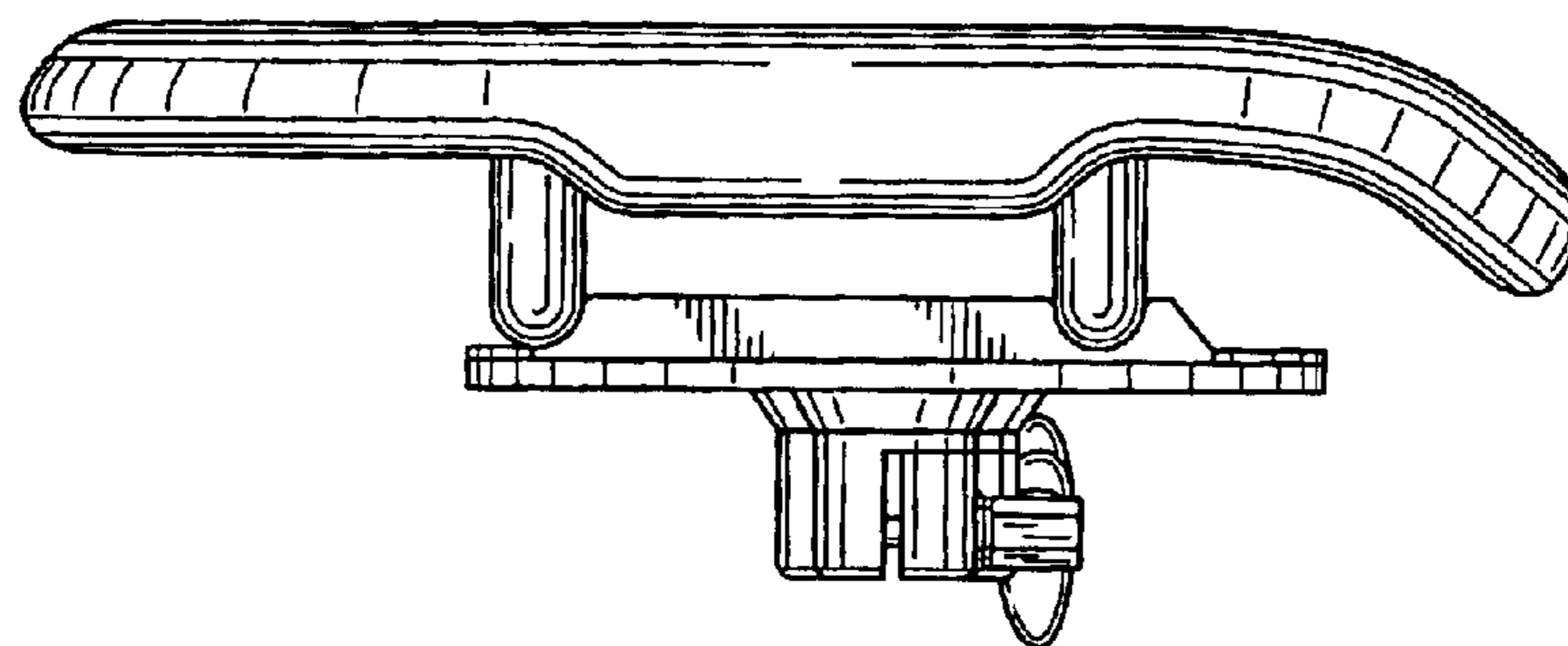


FIG. 7

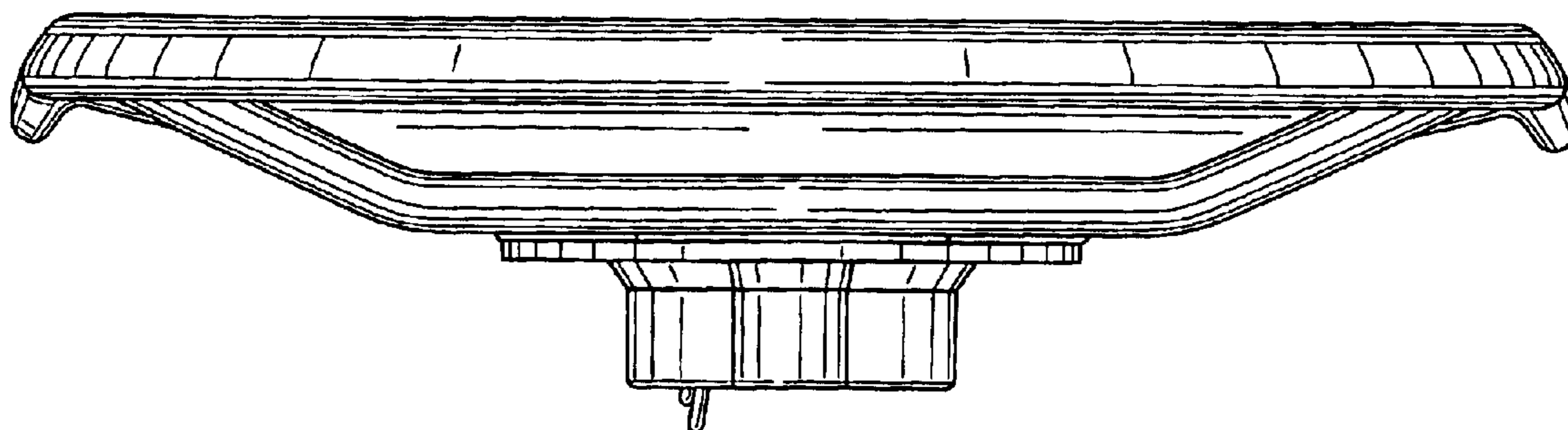


FIG. 8

