

US00D496808S1

(12) **United States Design Patent**  
**Sexton**

(10) **Patent No.: US D496,808 S**

(45) **Date of Patent: \*\* Oct. 5, 2004**

(54) **AUDIO-VIDEO STORAGE UNIT**

D467,099 S \* 12/2002 Antonioni ..... D6/479

(75) **Inventor: James S. Sexton, Danville, CA (US)**

\* cited by examiner

(73) **Assignee: Z-Line Designs, San Ramon, CA (US)**

*Primary Examiner*—Cathron Brooks

(\*\*) **Term: 14 Years**

(74) *Attorney, Agent, or Firm*—Townsend and Townsend and Crew LLP

(21) **Appl. No.: 29/200,036**

(57) **CLAIM**

(22) **Filed: Feb. 19, 2004**

The ornamental design for an audio-video storage unit, as shown and described.

**Related U.S. Application Data**

**DESCRIPTION**

(63) Continuation-in-part of application No. 29/185,746, filed on Jul. 1, 2003.

FIG. 1 is a perspective view of an audio-video storage unit showing my new design;

(51) **LOC (7) Cl. .... 06-04**

FIG. 2 is a top plan view thereof;

(52) **U.S. Cl. .... D6/479**

FIG. 3 is a front elevational view; rear elevational view being a mirror image thereof;

(58) **Field of Search** ..... D6/630, 477-479;  
108/59, 64, 91-93, 107, 144.11, 147.11,  
147.12, 147.13, 149, 151; 211/13.1, 42,  
43, 49.1, 85.26, 134, 187-190, 153, 207;  
312/7.2

FIG. 4 is a right side elevational view thereof;

FIG. 5 is a left elevational view thereof;

FIG. 6 is a bottom plan view thereof;

FIG. 7 is a perspective view of a second embodiment of my new design;

FIG. 8 is a top plan view thereof;

(56) **References Cited**

FIG. 9 is a front elevational view being a mirror image thereof;

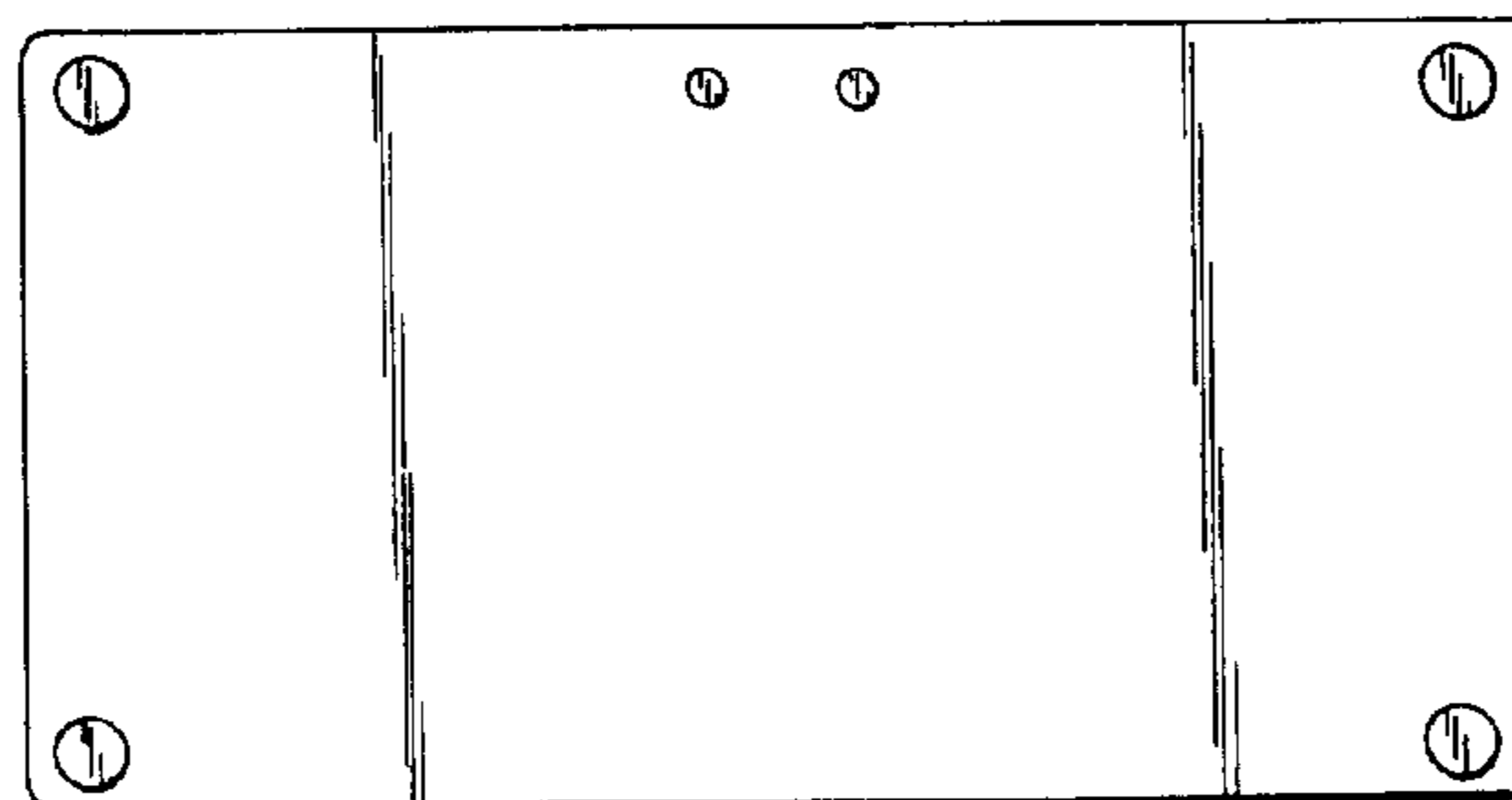
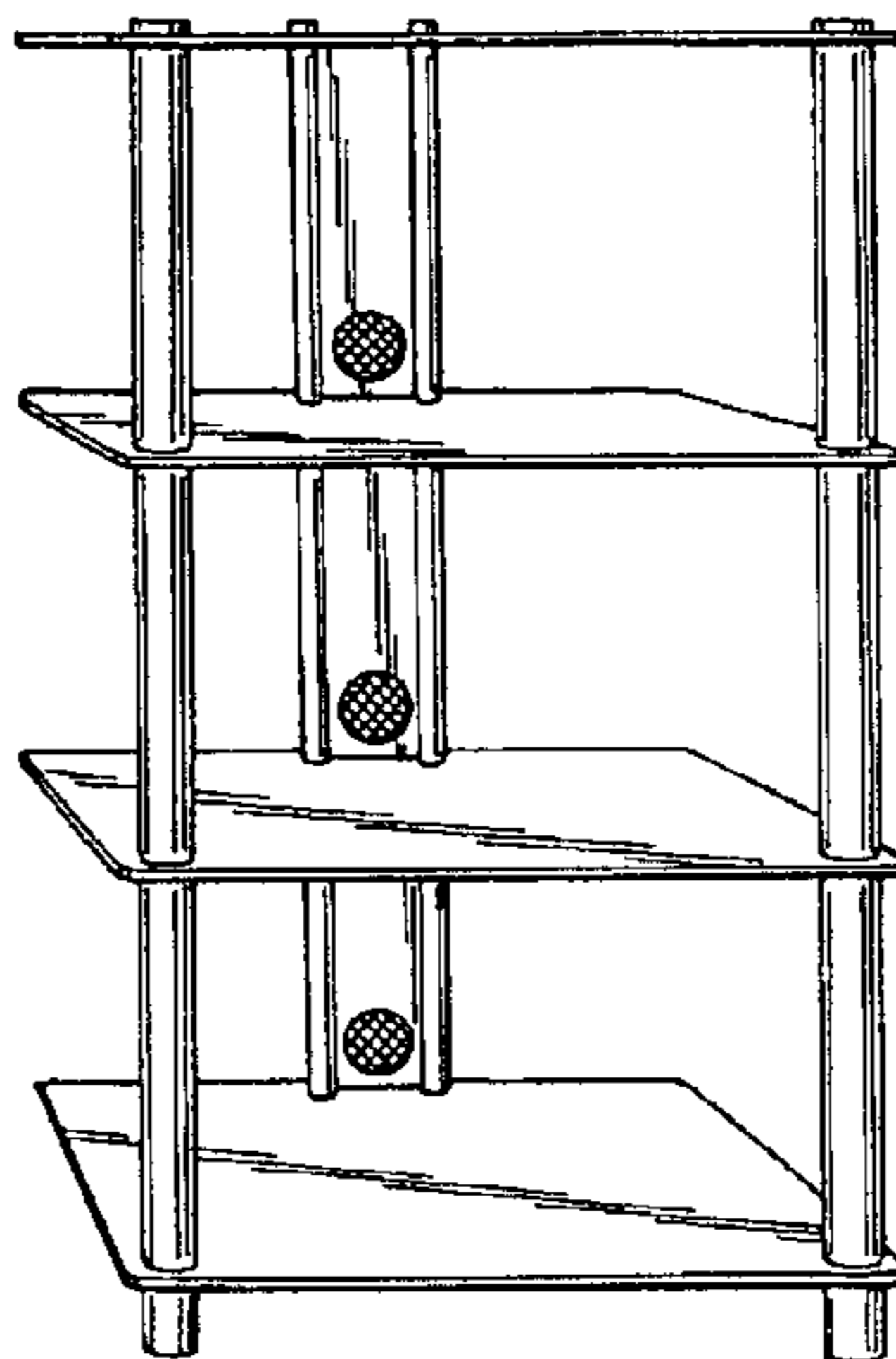
**U.S. PATENT DOCUMENTS**

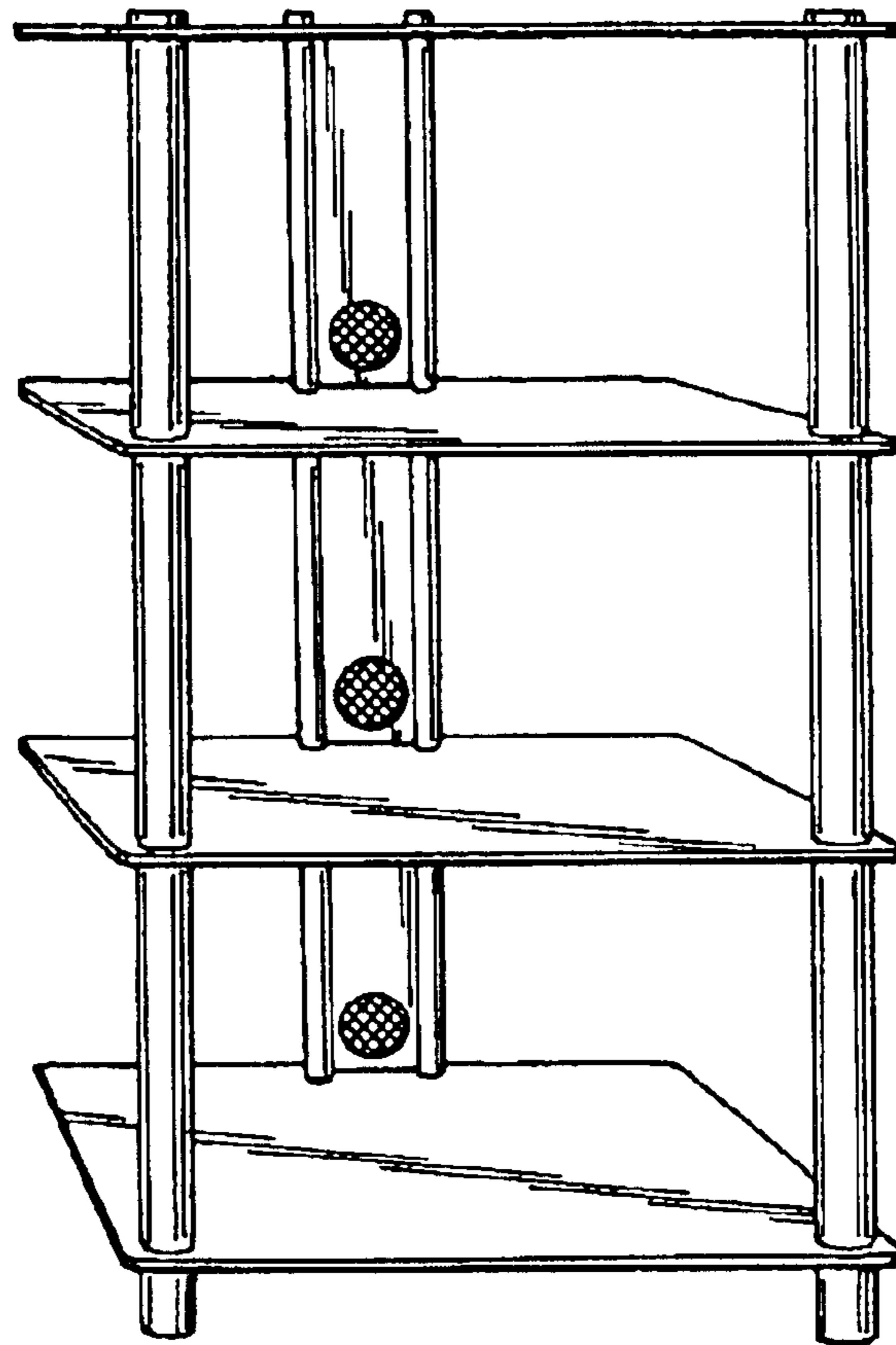
5,216,211 A \* 6/1993 Renk, Jr. .... 312/7.2  
D371,259 S \* 7/1996 Herbst ..... D6/479  
D378,175 S \* 2/1997 Hamami ..... D6/479  
D441,217 S \* 5/2001 Pepin et al. .... D6/436  
6,247,770 B1 \* 6/2001 Glass ..... 108/107

FIG. 10 is a right side elevational view thereof; left side elevational view being a mirror image thereof; and,

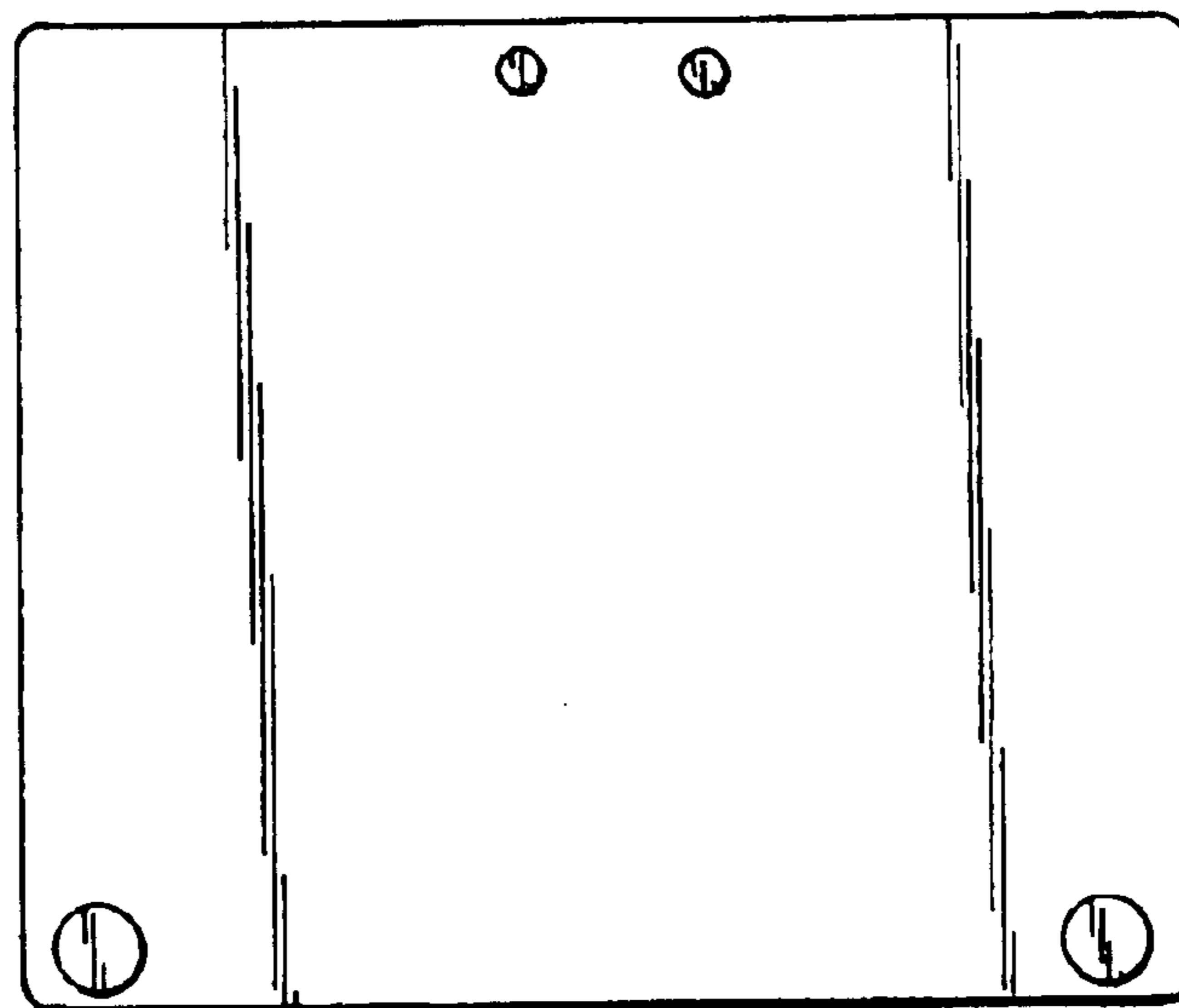
FIG. 11 is a bottom plan view.

**1 Claim, 4 Drawing Sheets**

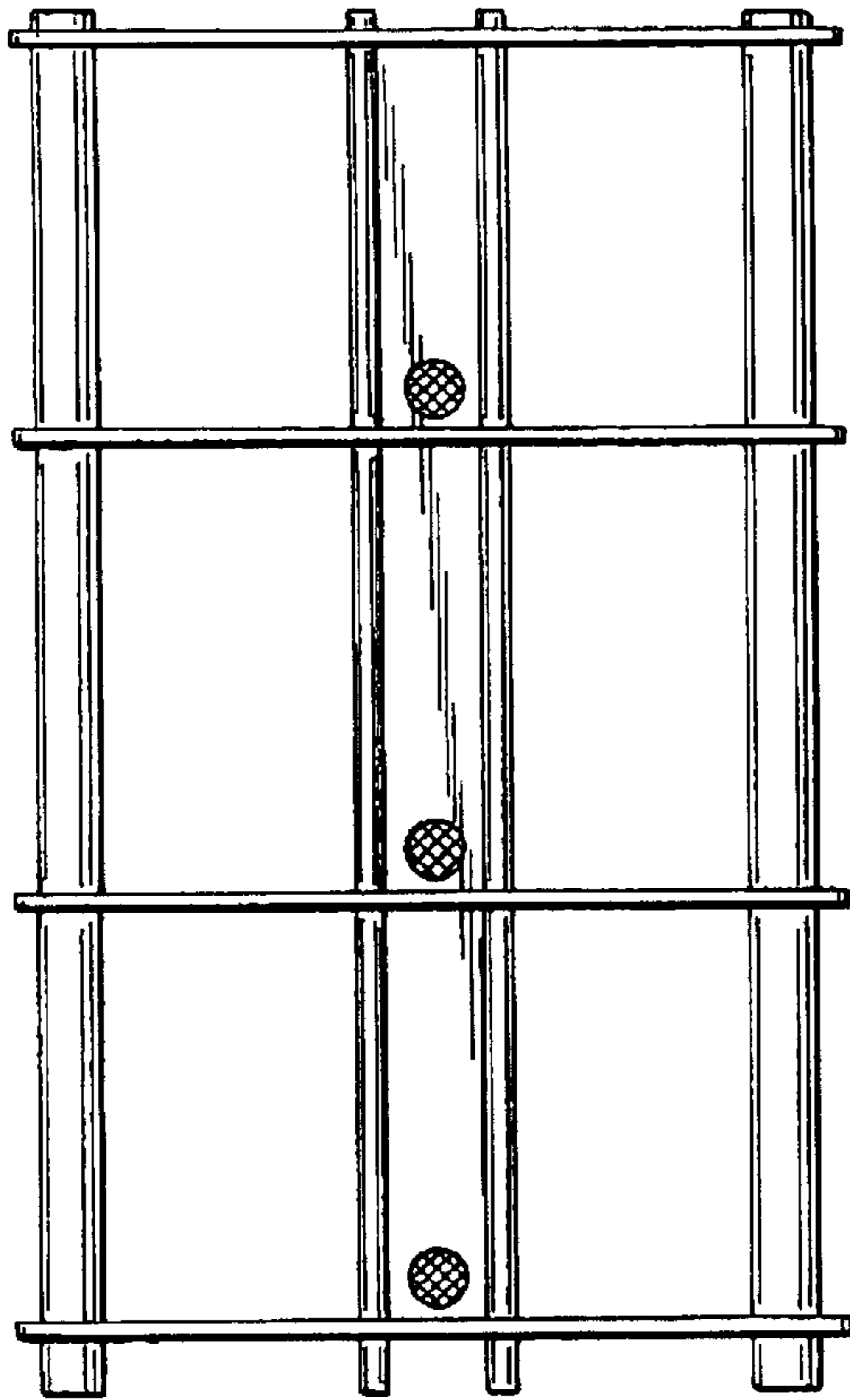




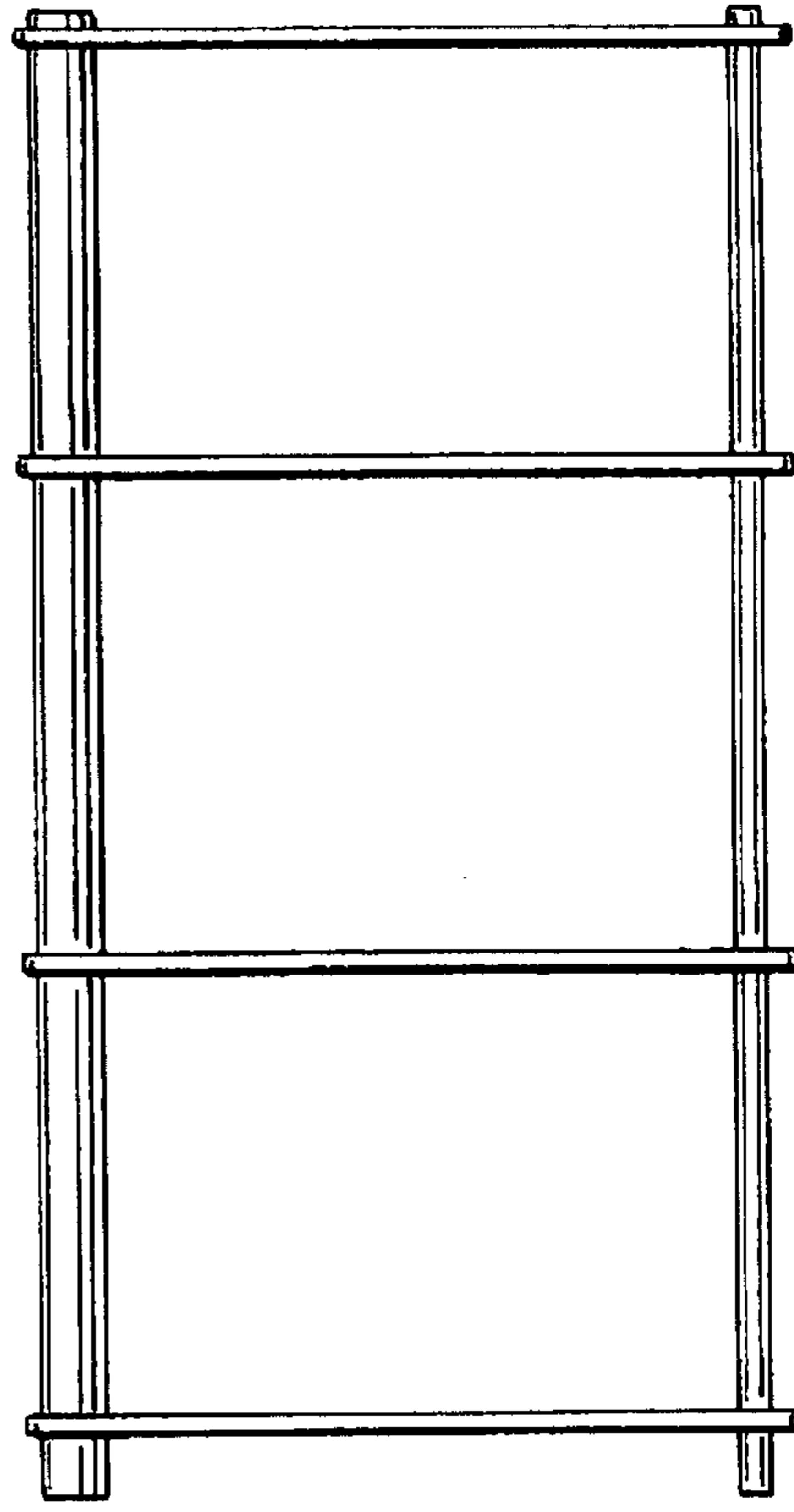
*FIG. 1*



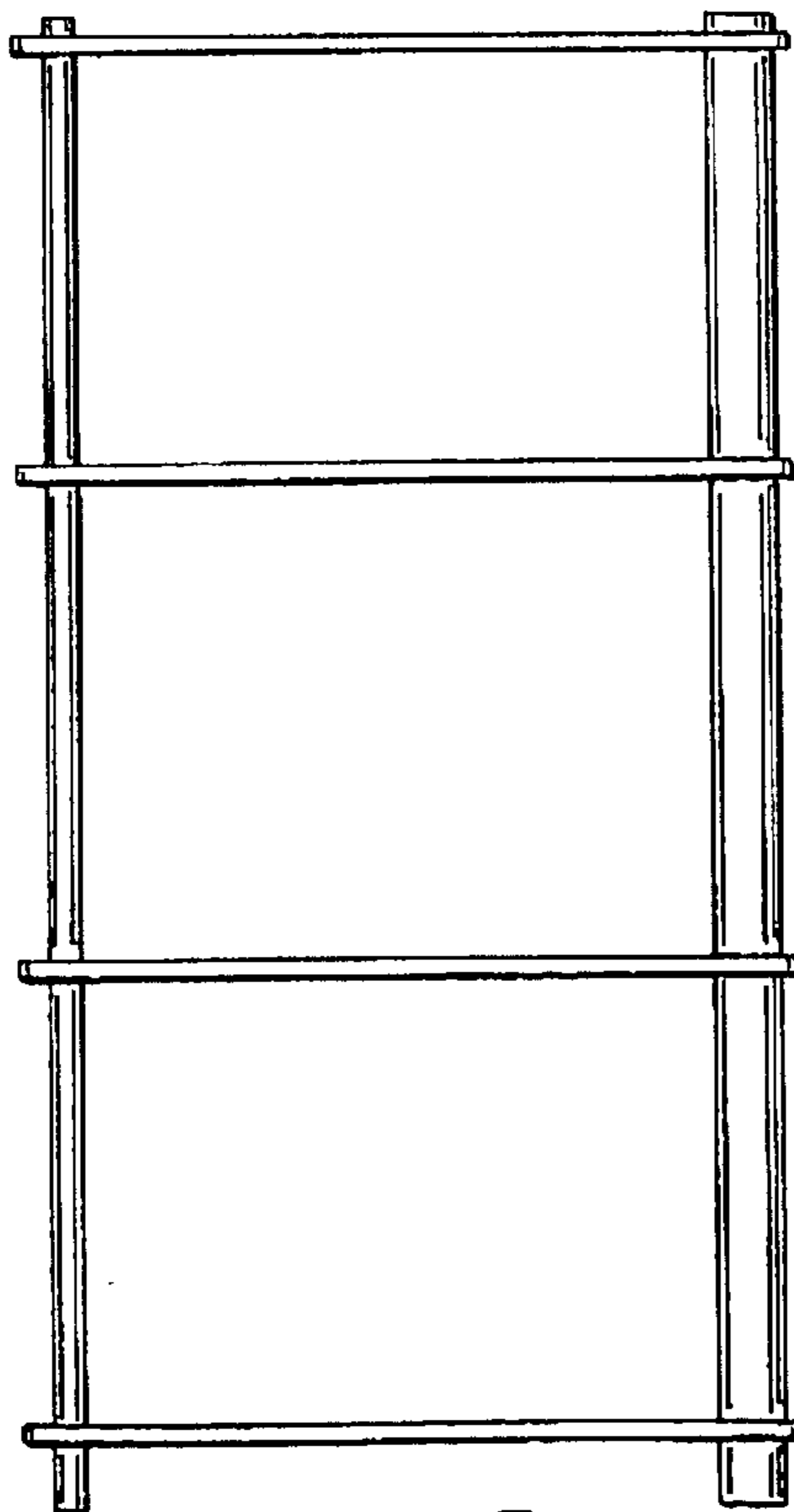
*FIG. 2*



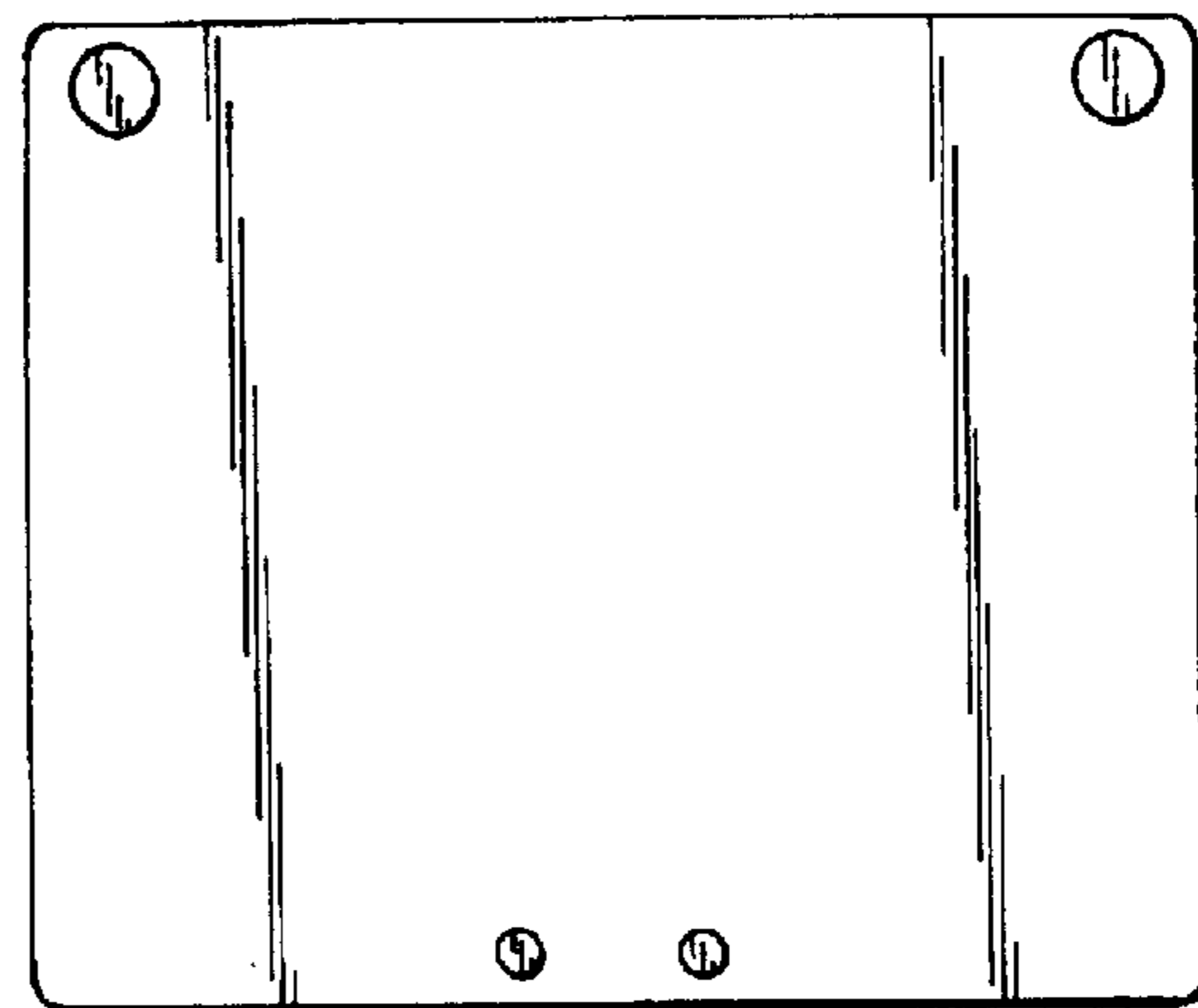
*FIG. 3*



*FIG. 4*



*FIG. 5*



*FIG. 6*

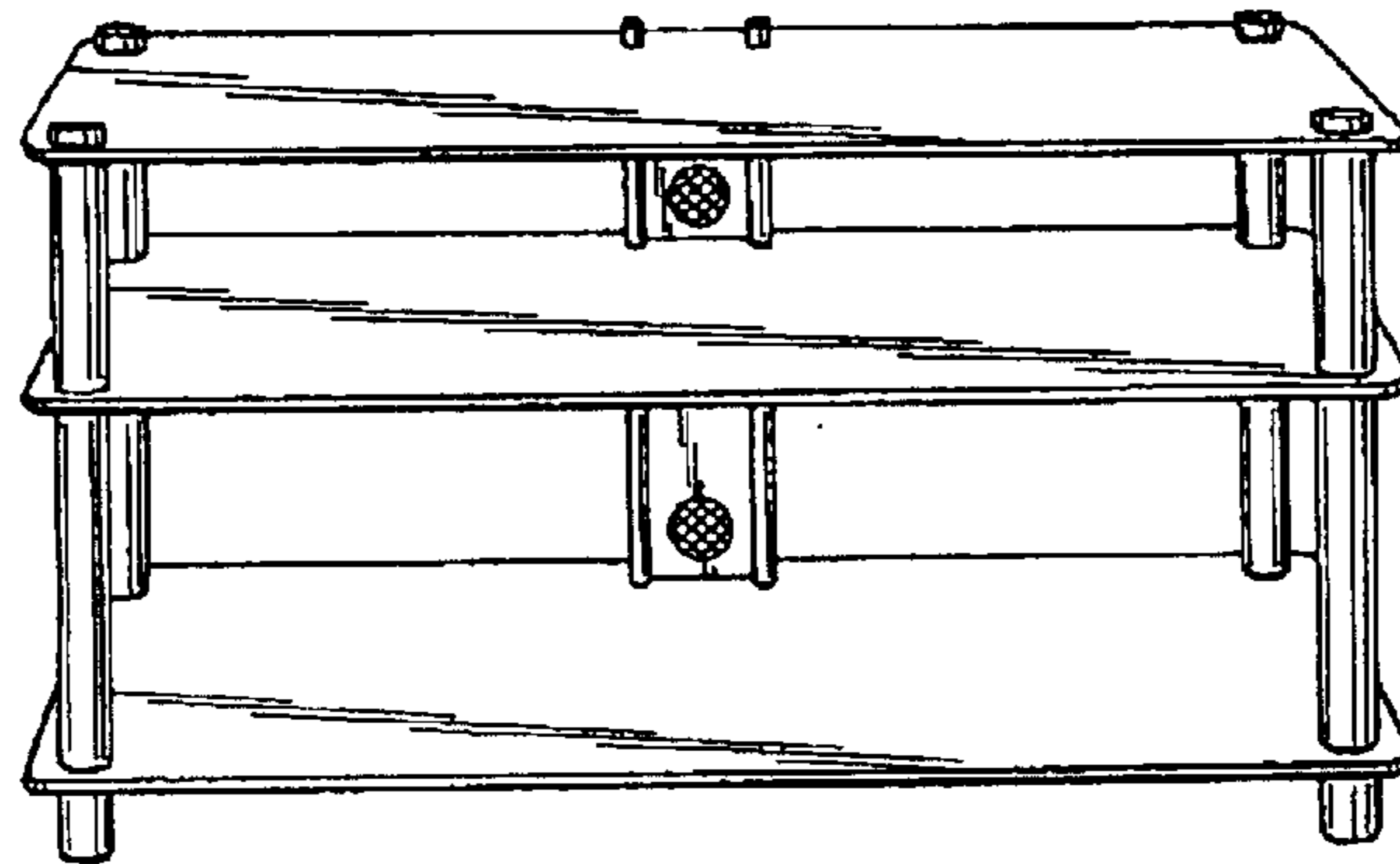


FIG. 7

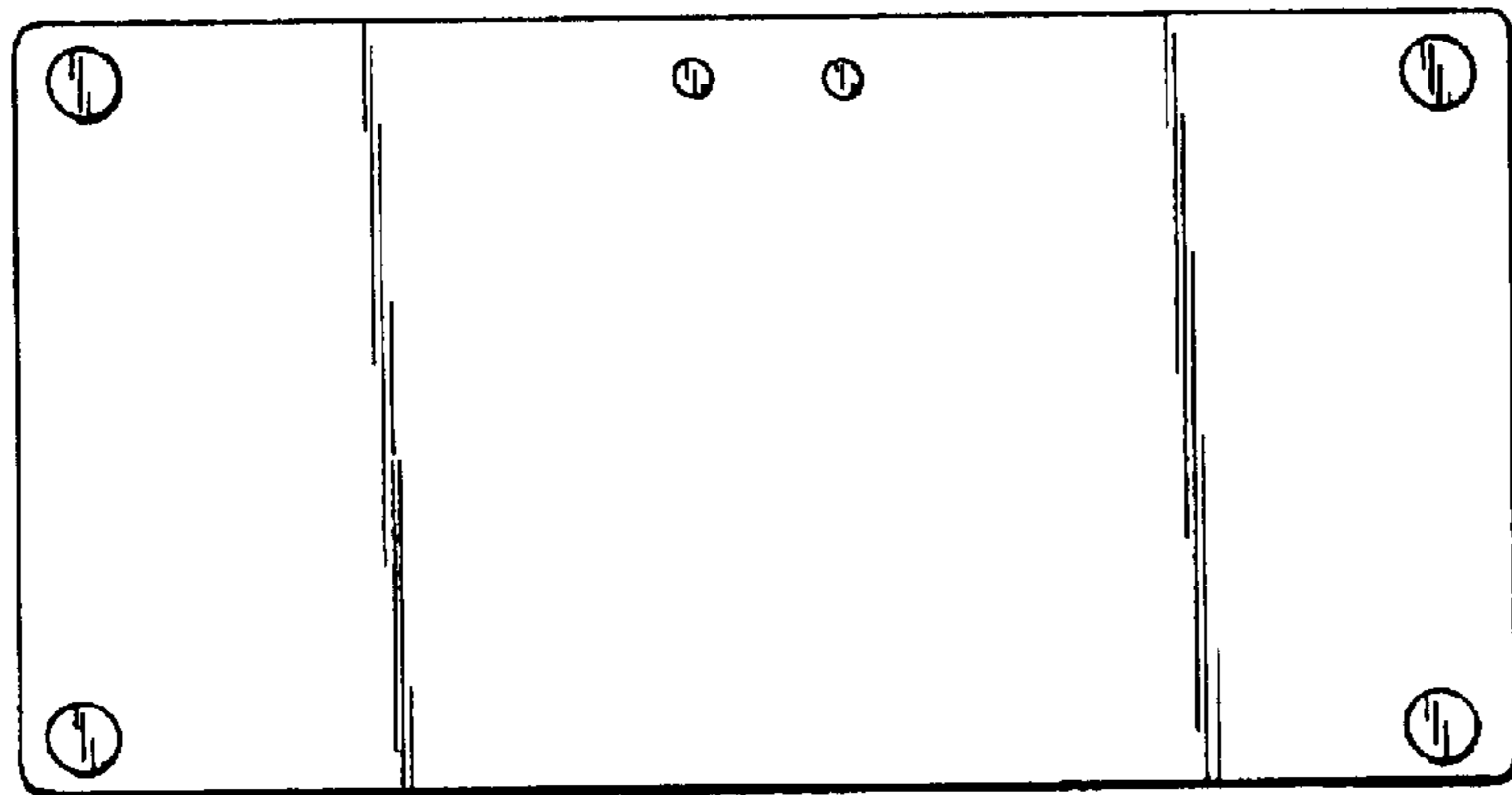


FIG. 8

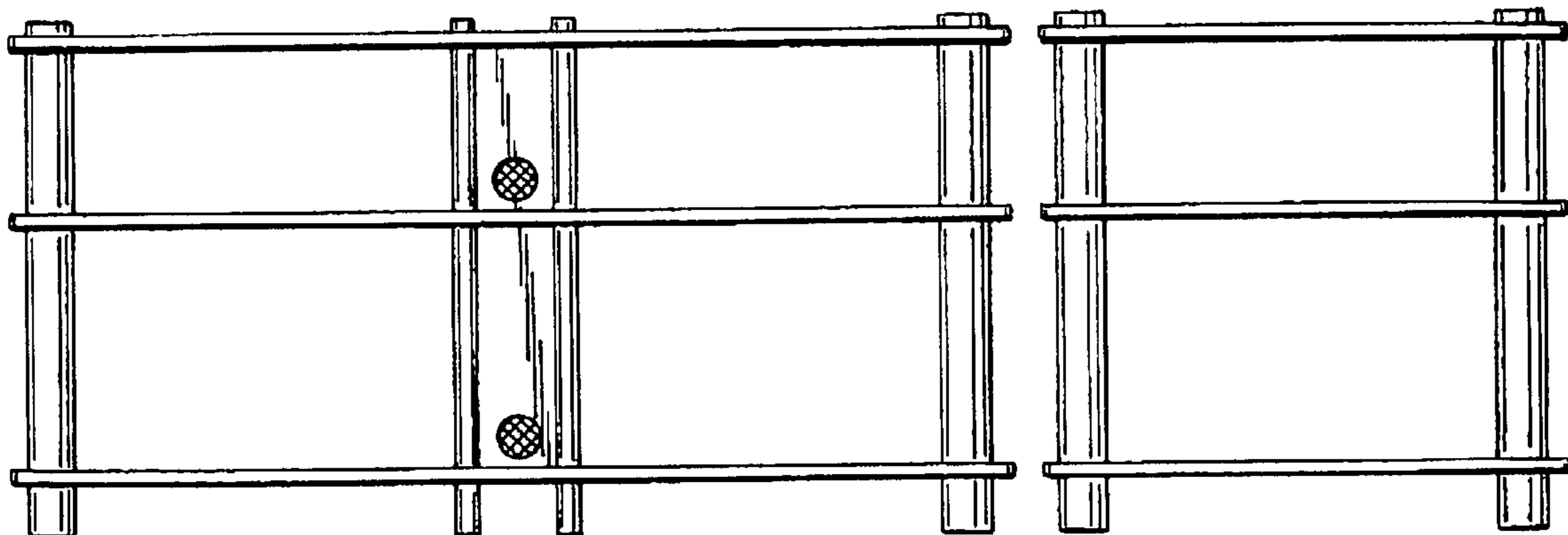
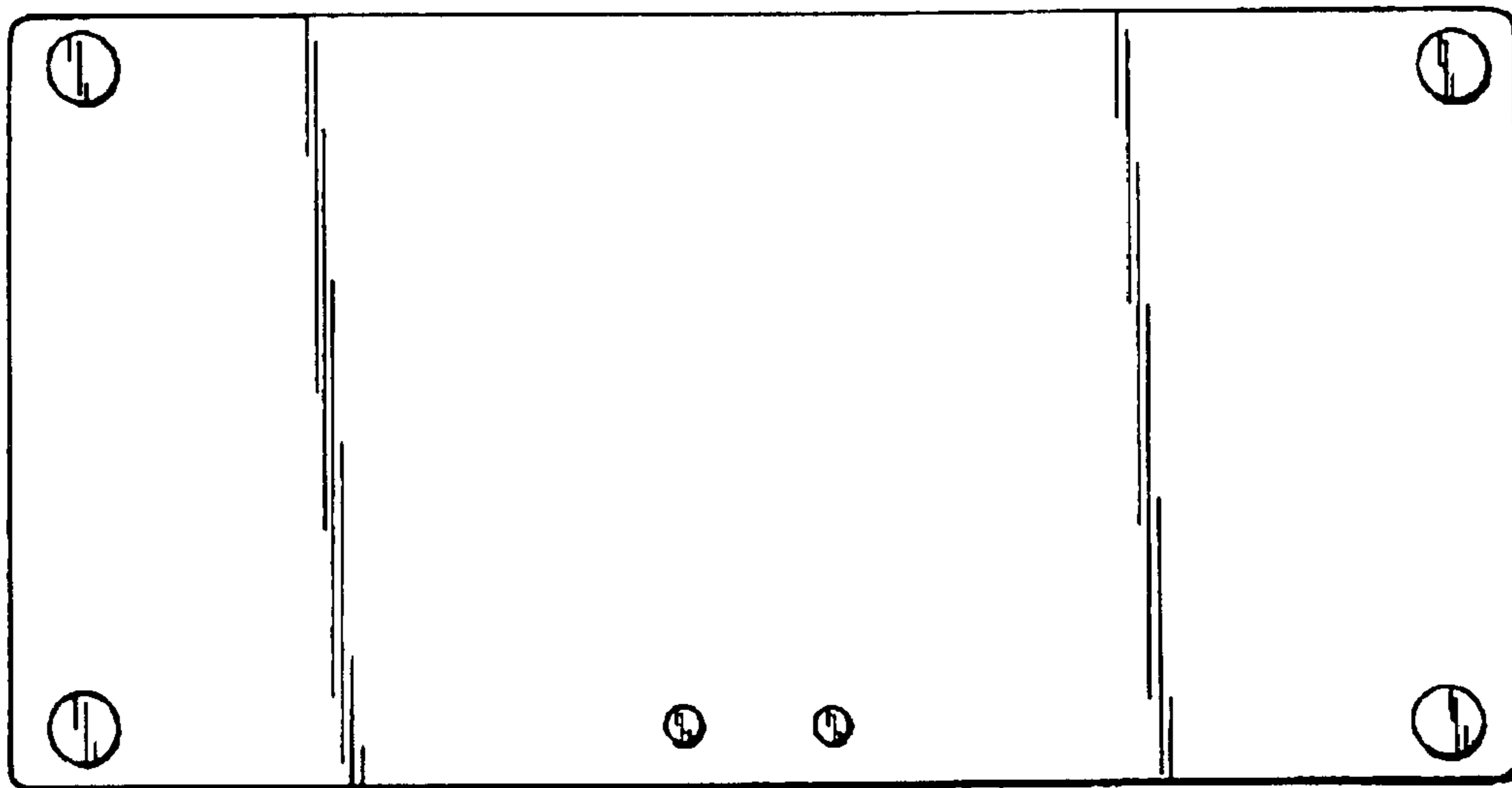


FIG. 9

FIG. 10



*FIG. 11*