

US00D496806S1

(12) **United States Design Patent**
Chang

(10) **Patent No.:** **US D496,806 S**

(45) **Date of Patent:** **** Oct. 5, 2004**

(54) **RACK**

(76) **Inventor:** **Chien-Kuo Chang**, P.O. Box 36-80,
Taichung City (TW)

(**) **Term:** **14 Years**

(21) **Appl. No.:** **29/197,832**

(22) **Filed:** **Jan. 20, 2004**

(51) **LOC (7) Cl.** **06-04**

(52) **U.S. Cl.** **D6/477; D6/479**

(58) **Field of Search** **D6/630, 477-479;**
108/59, 64, 91-93, 107, 144.11, 147.11,
147.12, 147.13, 149, 151; 211/13.1, 42,
43, 49.1, 85.26, 134, 187-190, 153, 207;
312/7.2

(56) **References Cited**

U.S. PATENT DOCUMENTS

D427,459 S * 7/2000 Druebbisch D6/479

D467,099 S * 12/2002 Antonioni D6/479
D472,074 S * 3/2003 de Carolis D6/479
D483,966 S * 12/2003 Forlenza et al. D6/474

* cited by examiner

Primary Examiner—Cathron Brooks

(74) *Attorney, Agent, or Firm*—Charles E. Baxley

(57) **CLAIM**

The ornamental design for rack, as shown and described.

DESCRIPTION

FIG. 1 is a perspective view of a rack showing our new design thereof;

FIG. 2 is a front elevational view thereof;

FIG. 3 is a rear elevational view thereof;

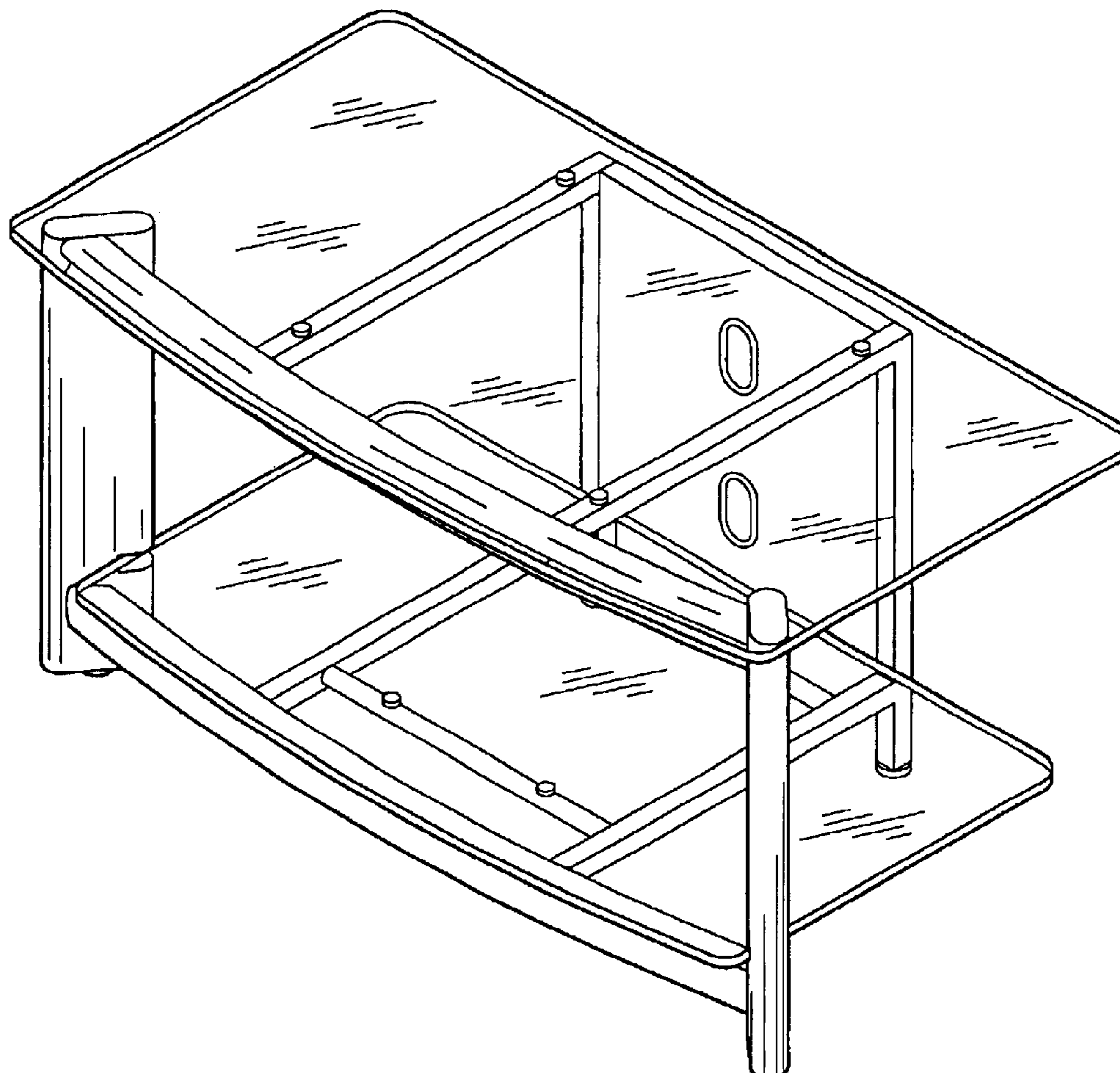
FIG. 4 is a left side elevational view thereof;

FIG. 5 is a right side elevational view thereof;

FIG. 6 is a top plan view thereof; and,

FIG. 7 is a bottom plan view thereof.

1 Claim, 4 Drawing Sheets



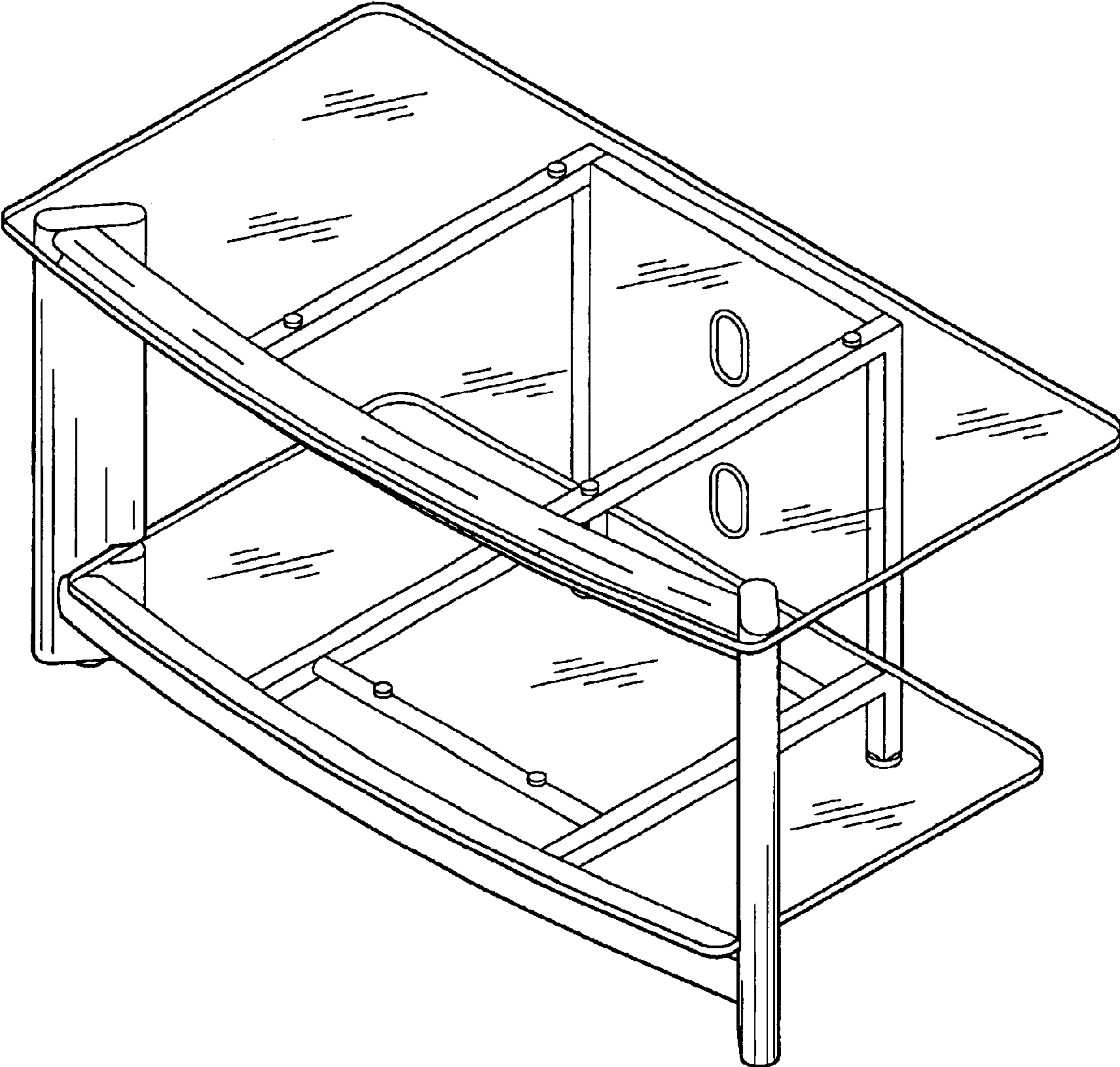


FIG. 1

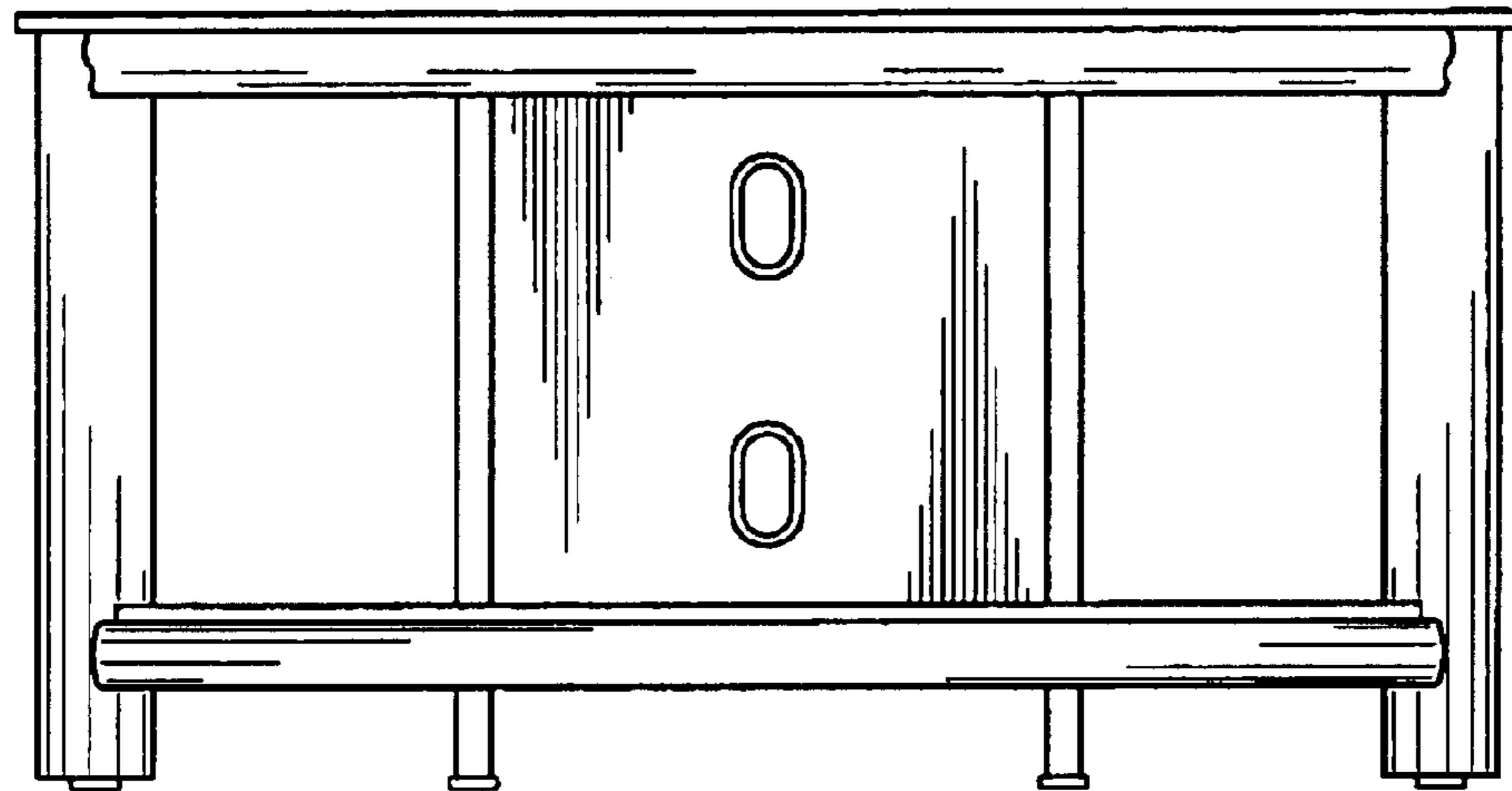


FIG. 2

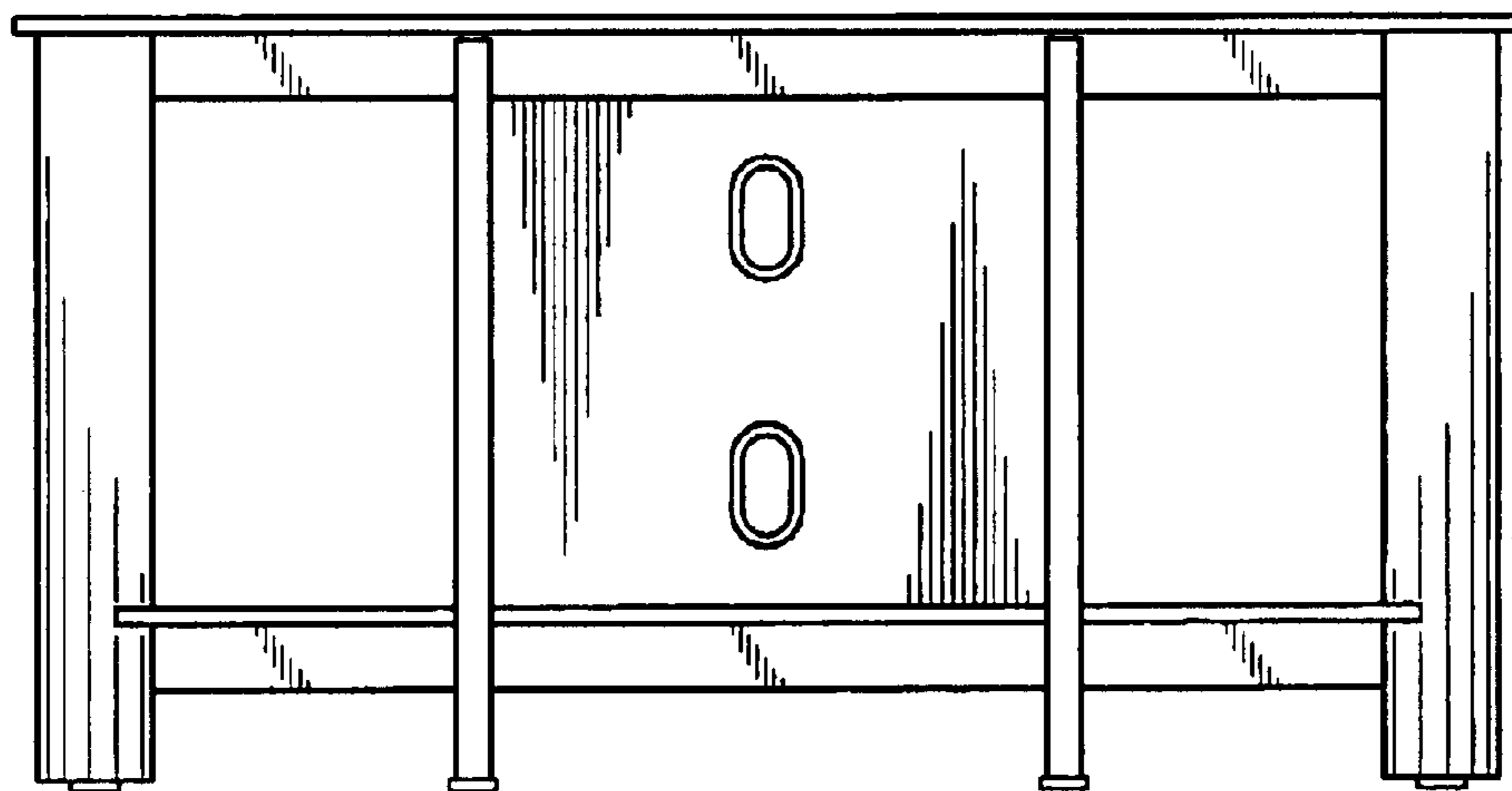


FIG. 3

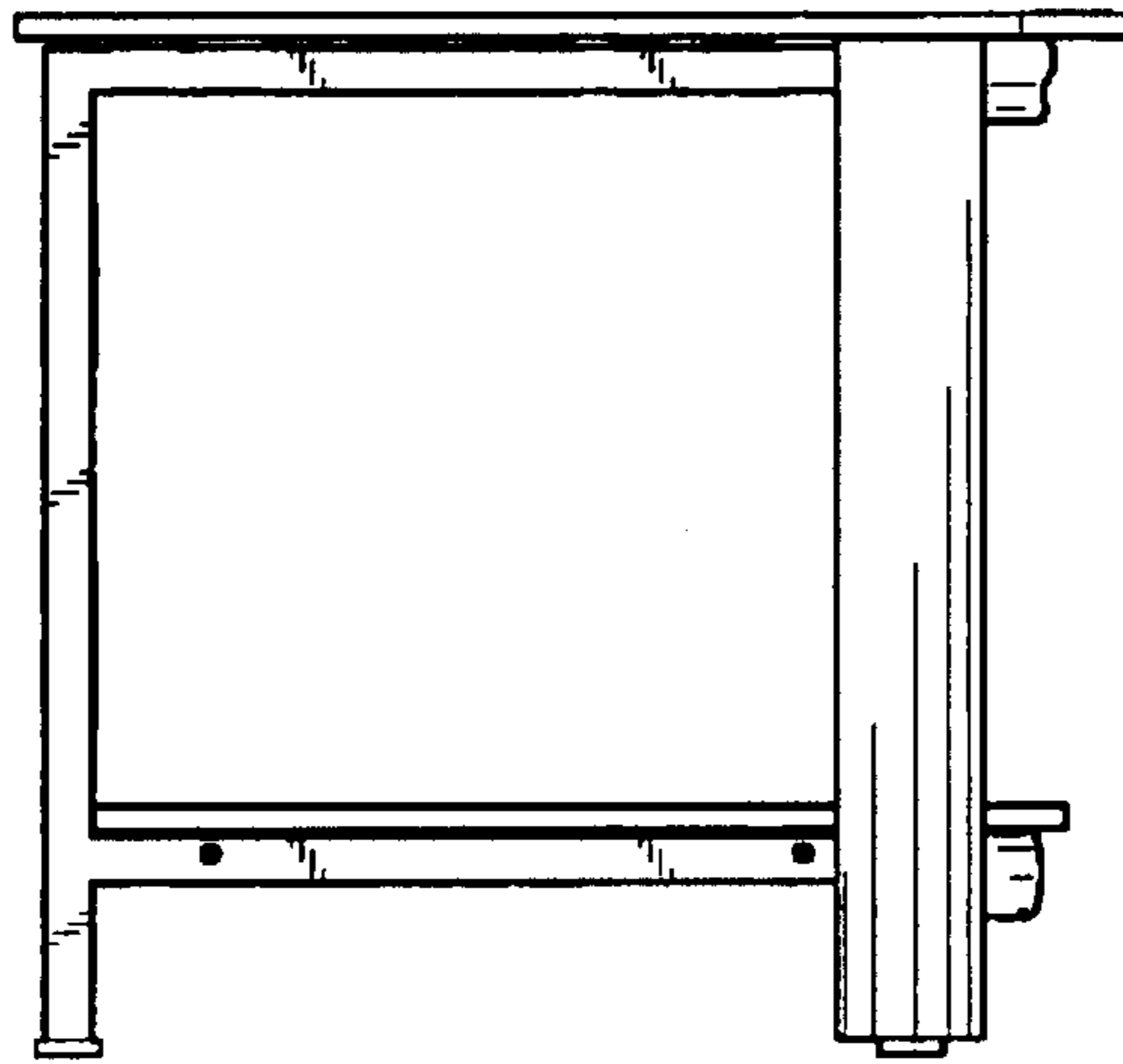


FIG. 4

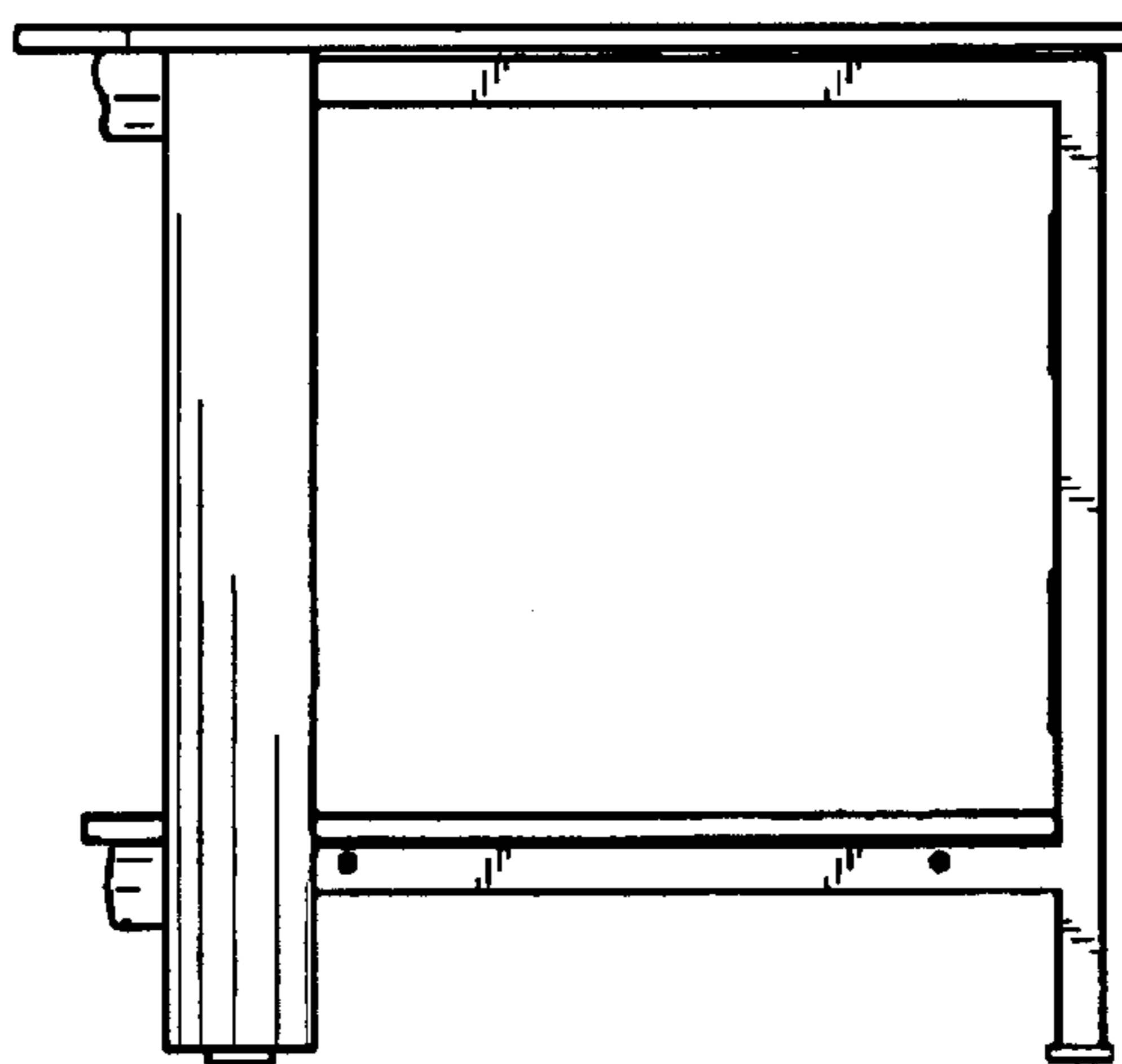


FIG. 5

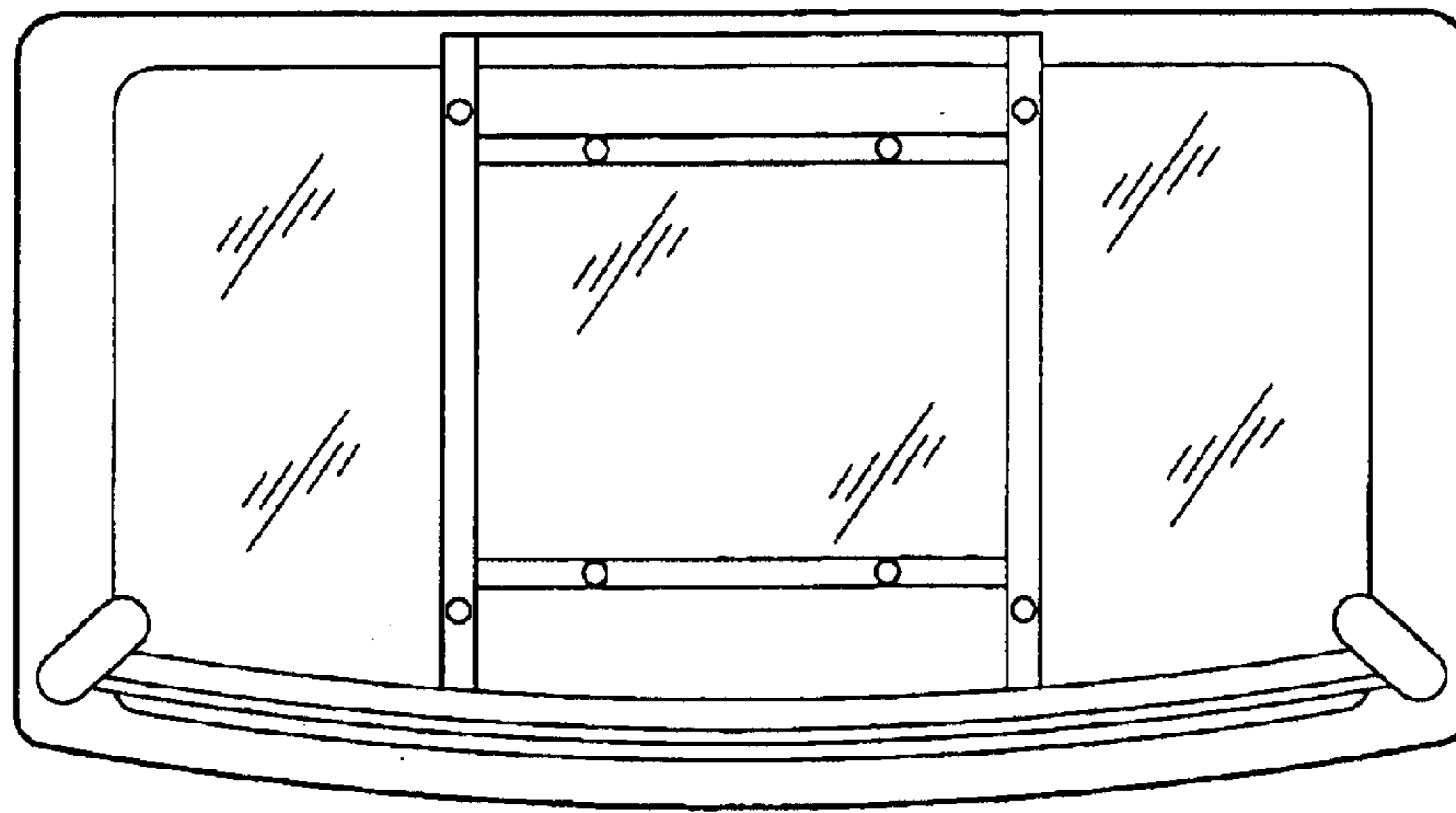


FIG. 6

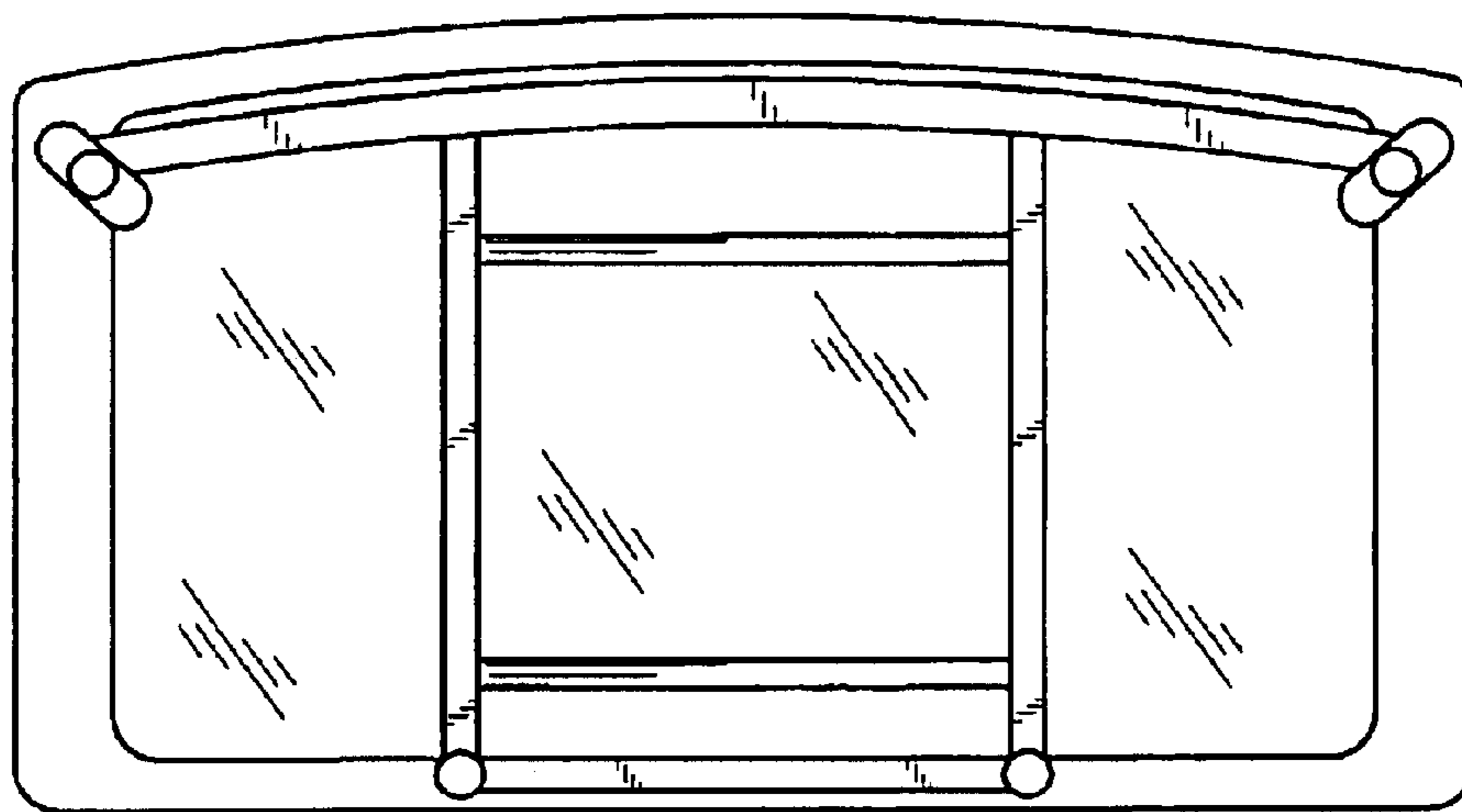


FIG. 7