

US00D496805S1

(12) **United States Design Patent**
Anderson et al.

(10) **Patent No.: US D496,805 S**

(45) **Date of Patent: ** *Oct. 5, 2004**

(54) **TWO DRAWER BASE CABINET**

(75) Inventors: **Torrence Anderson**, Overland Park, KS (US); **Brian Moon**, DeKalb, IL (US)

(73) Assignee: **Suncast Corporation**, Batavia, IL (US)

(*) Notice: This patent is subject to a terminal disclaimer.

(**) Term: **14 Years**

(21) Appl. No.: **29/195,706**

(22) Filed: **Dec. 15, 2003**

(51) **LOC (7) Cl.** **06-04**

(52) **U.S. Cl.** **D6/445**

(58) **Field of Search** D6/432-448; 312/204, 312/213, 249.1, 249.8, 108

(56) **References Cited**

U.S. PATENT DOCUMENTS

- 5,310,254 A * 5/1994 Dallaire 312/213
- 5,372,415 A * 12/1994 Tisbo et al. 312/108
- D377,721 S * 2/1997 Pohlman D6/436
- 5,975,658 A * 11/1999 Verbeek et al. 312/209

- D419,333 S * 1/2000 Verbeek et al. D6/445
- D423,814 S * 5/2000 Belka et al. D6/432
- D460,637 S * 7/2002 Grosfillex D6/446
- D460,886 S * 7/2002 Hashizume et al. D6/509

* cited by examiner

Primary Examiner—Cathron Brooks

(74) *Attorney, Agent, or Firm*—McHale & Slavin, P.A.

(57) **CLAIM**

The ornamental design for a two drawer base cabinet, as shown and described.

DESCRIPTION

FIG. 1 is a perspective view of the two drawer base cabinet, of the instant invention;

FIG. 2 is a left side view thereof;

FIG. 3 is a right side view thereof;

FIG. 4 is a front plane view thereof;

FIG. 5 is a rear plane view thereof;

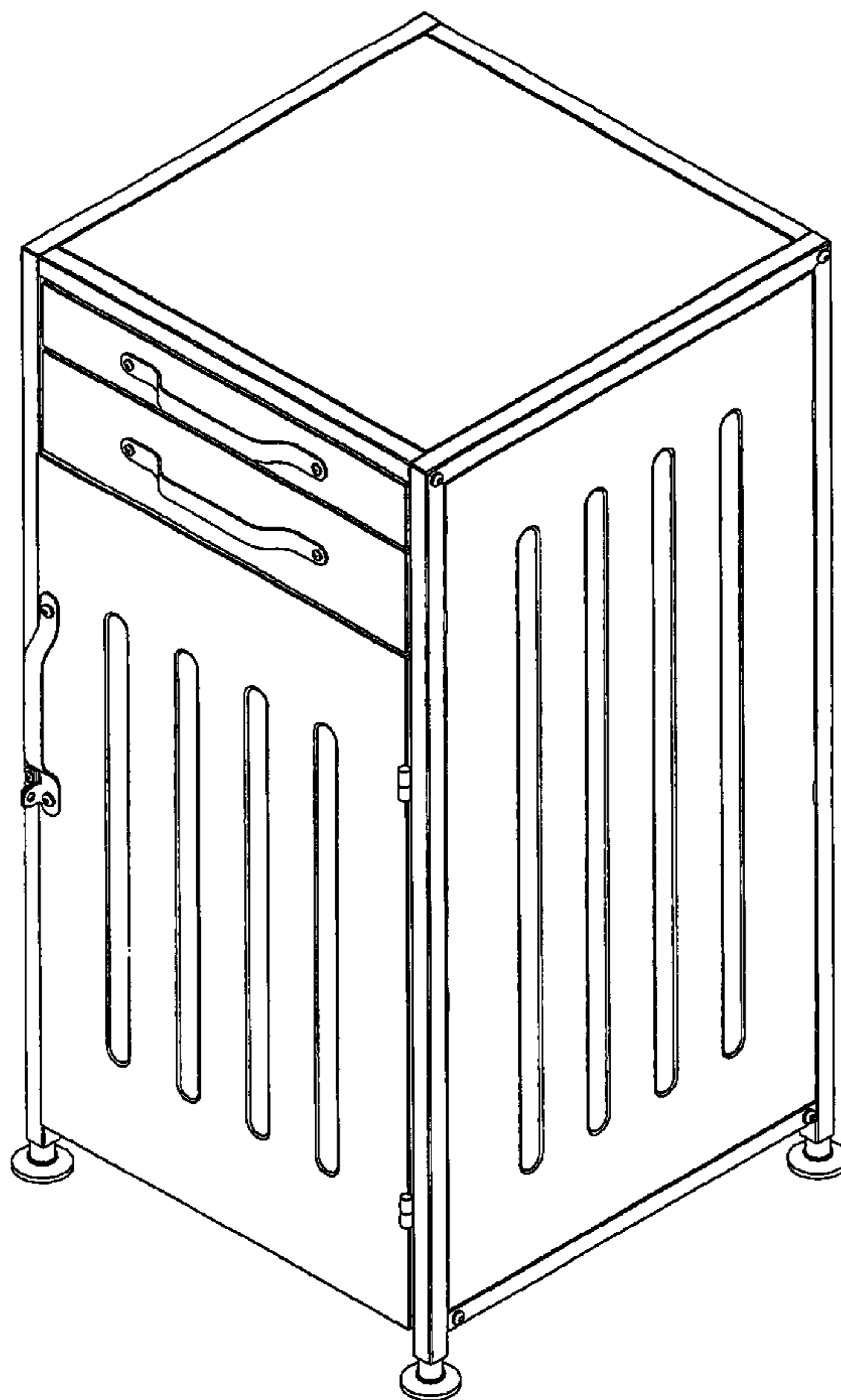
FIG. 6 is a top view thereof;

FIG. 7 is a bottom view thereof;

FIG. 8 is a perspective view with the door open; and,

FIG. 9 is a front view with the door open.

1 Claim, 8 Drawing Sheets



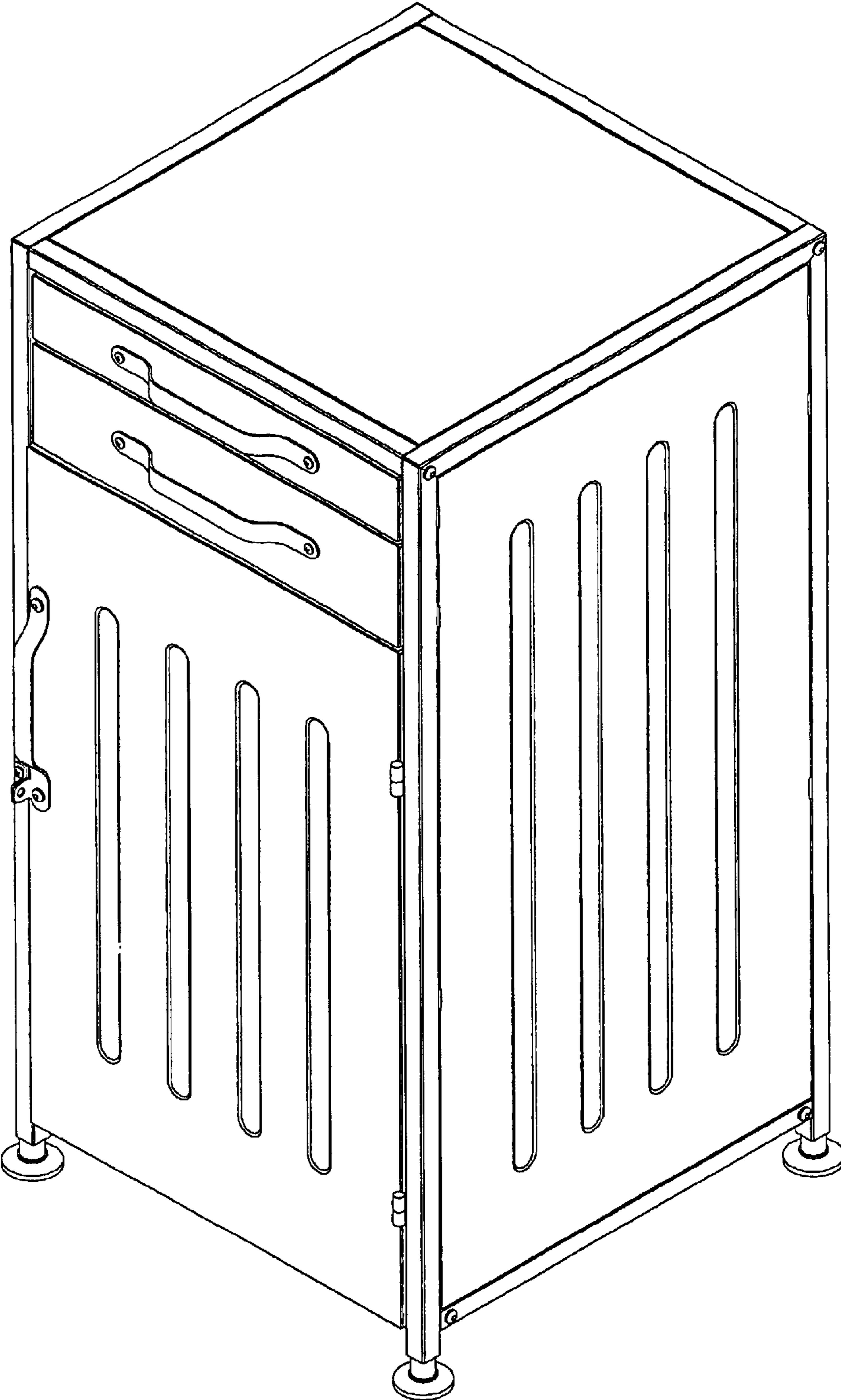


FIGURE 1

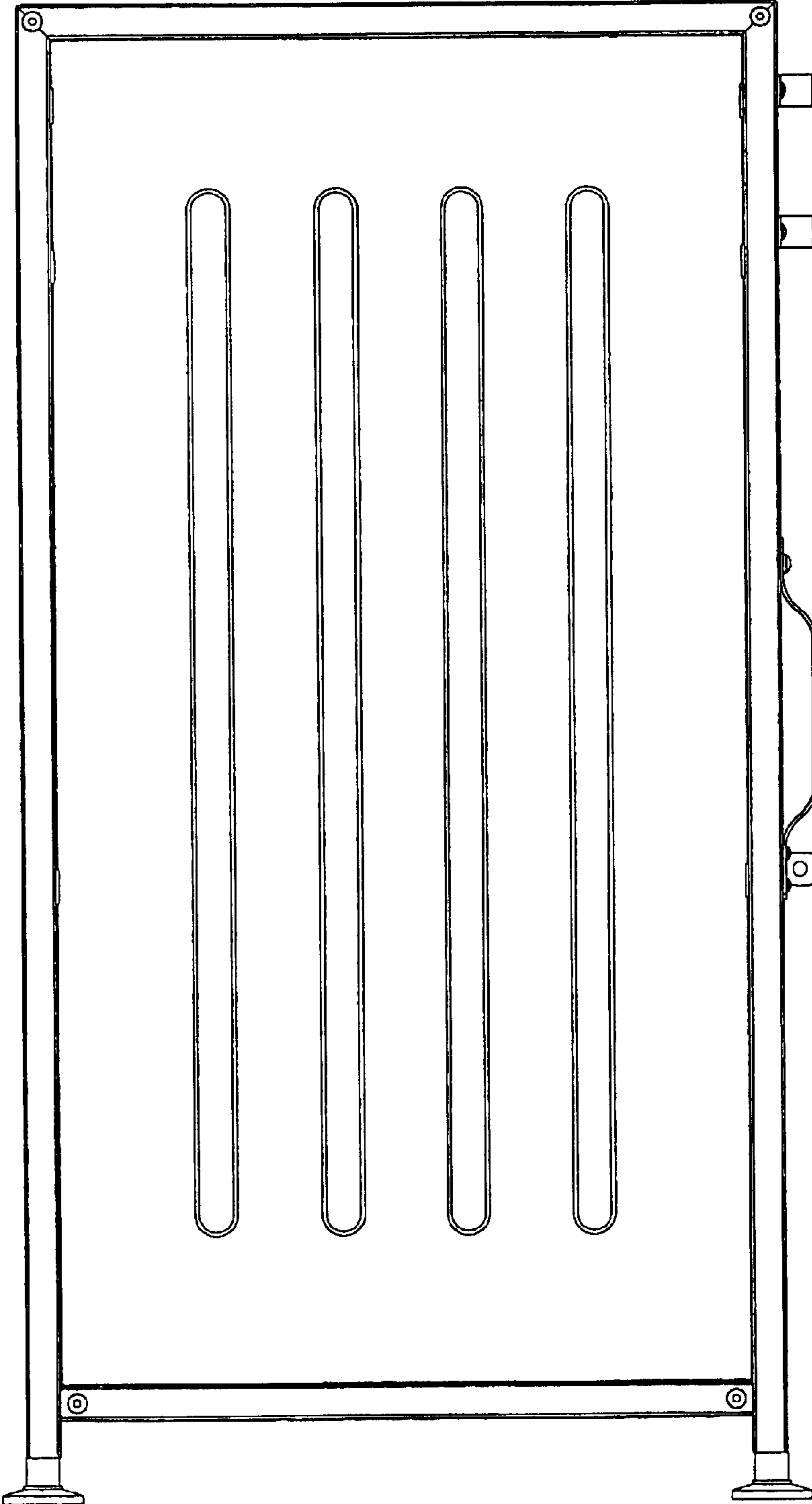


FIGURE 2

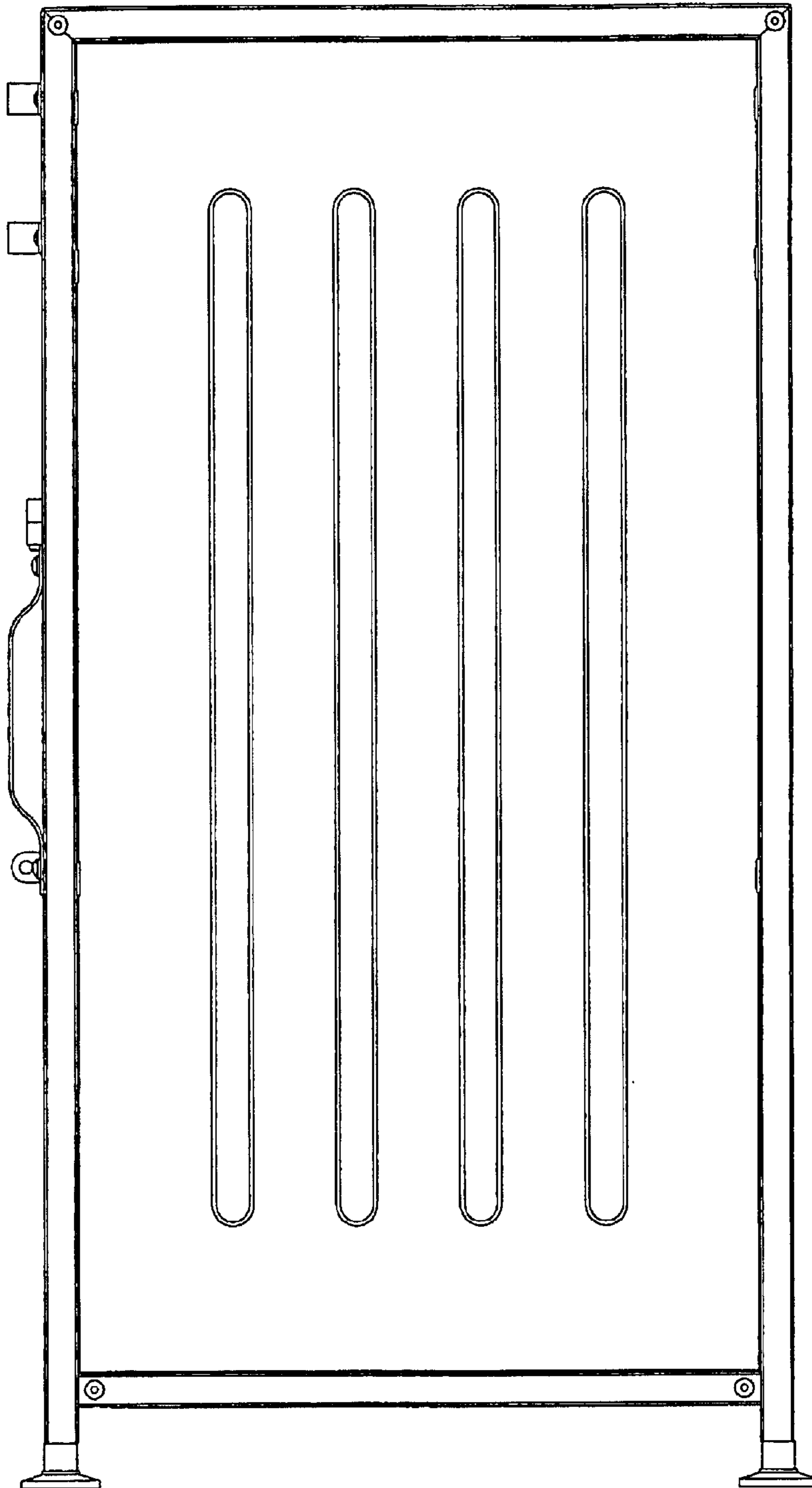


FIGURE 3

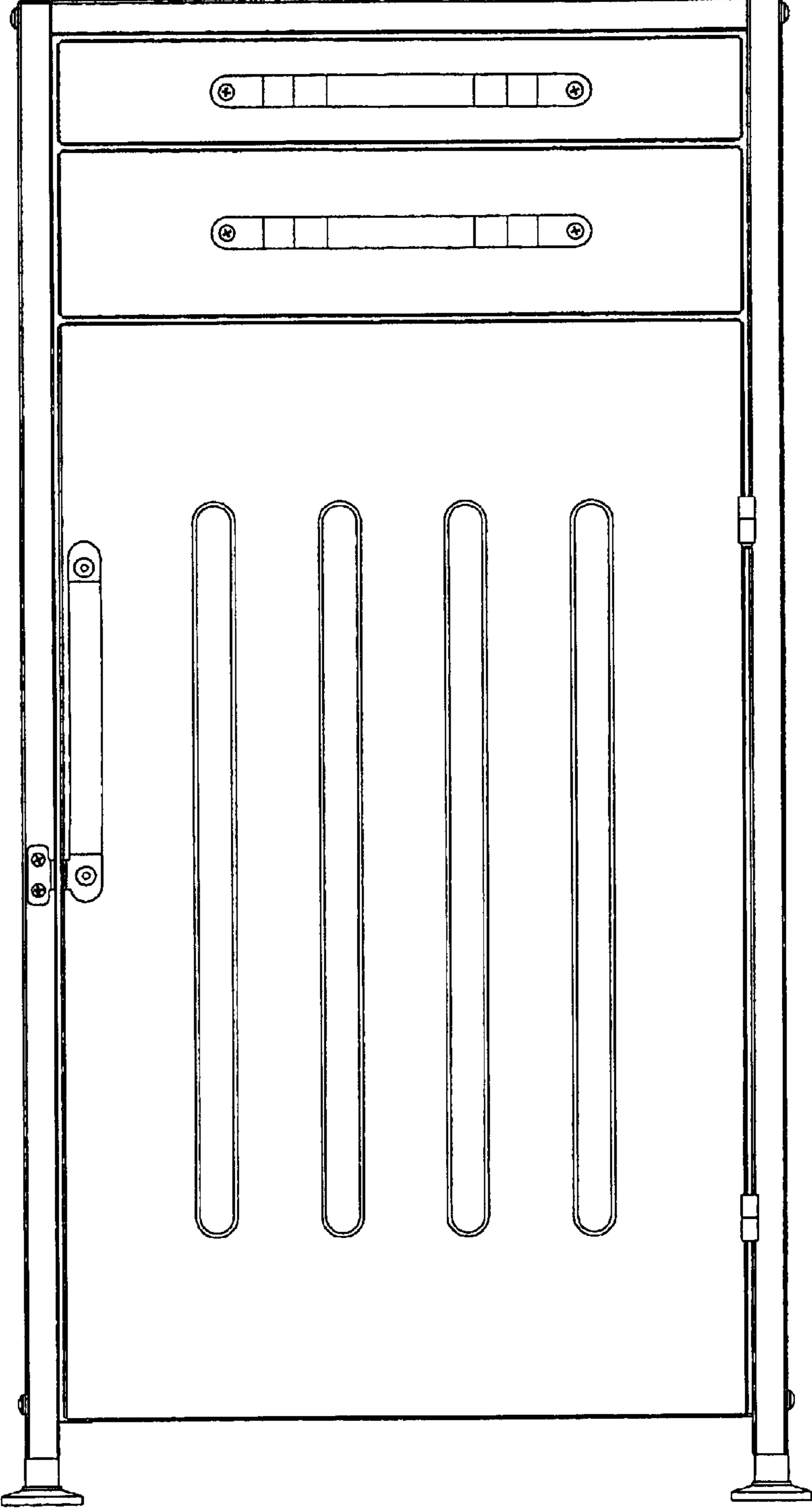


FIGURE 4

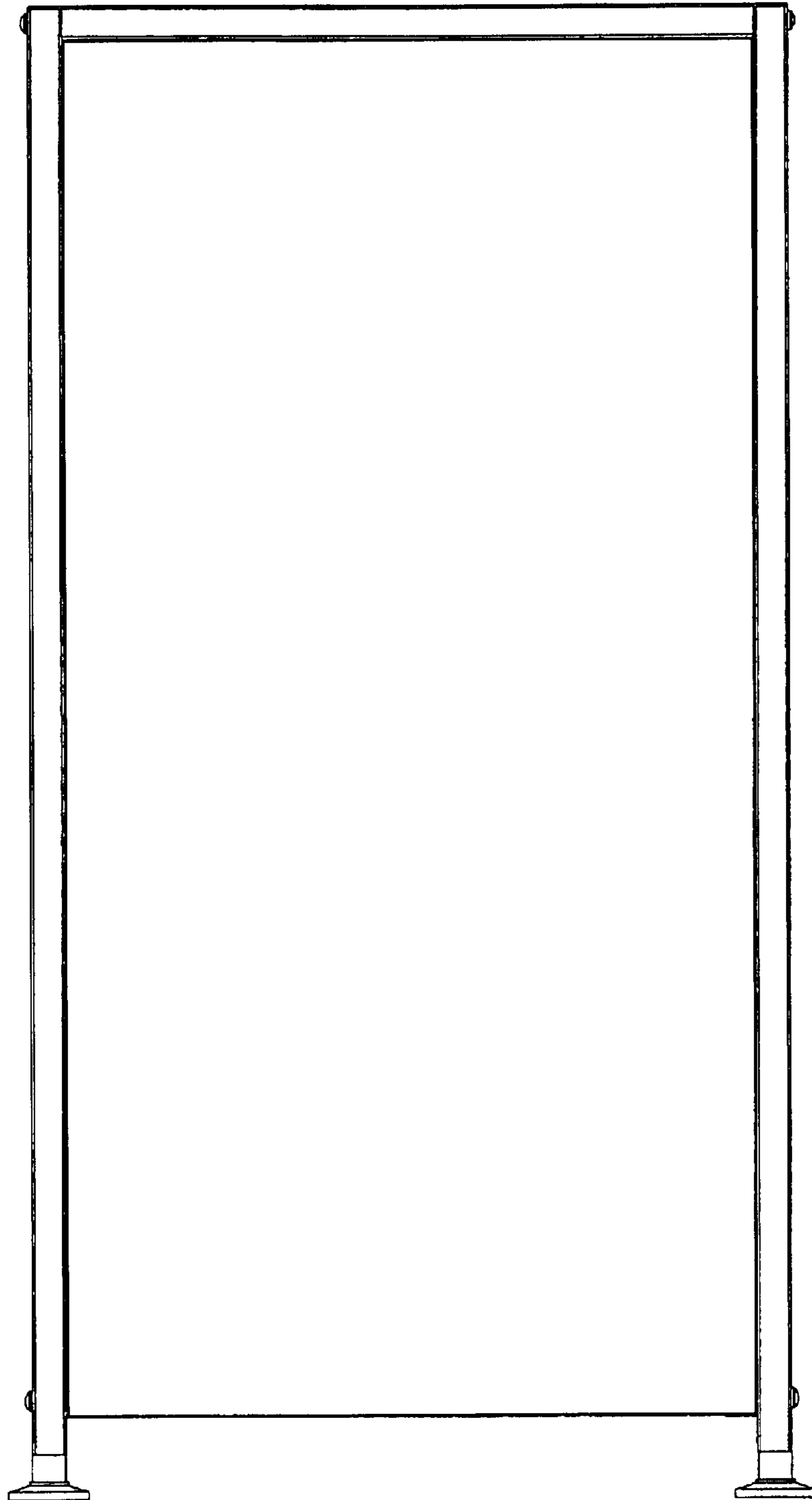


FIGURE 5

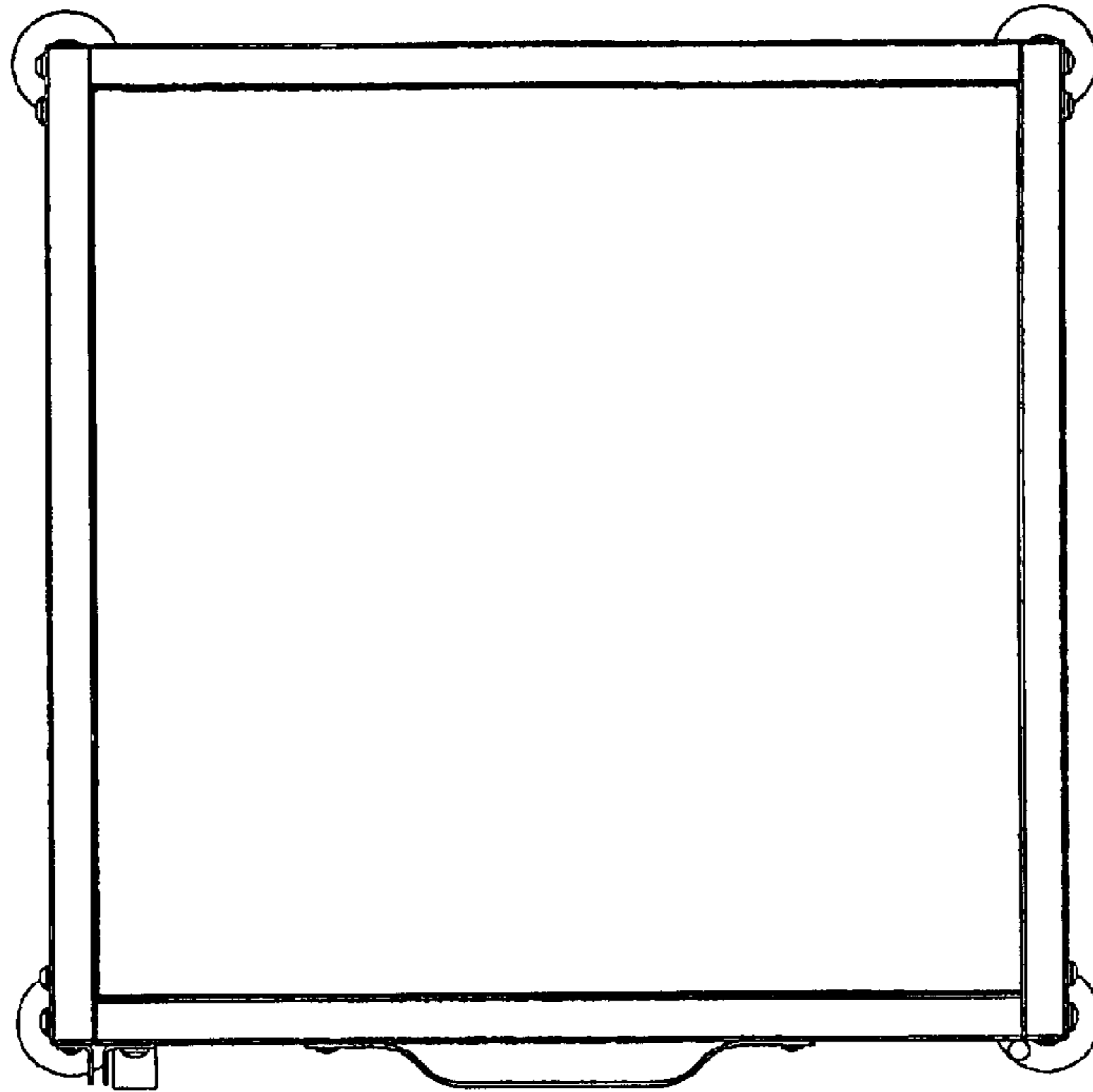


FIGURE 6

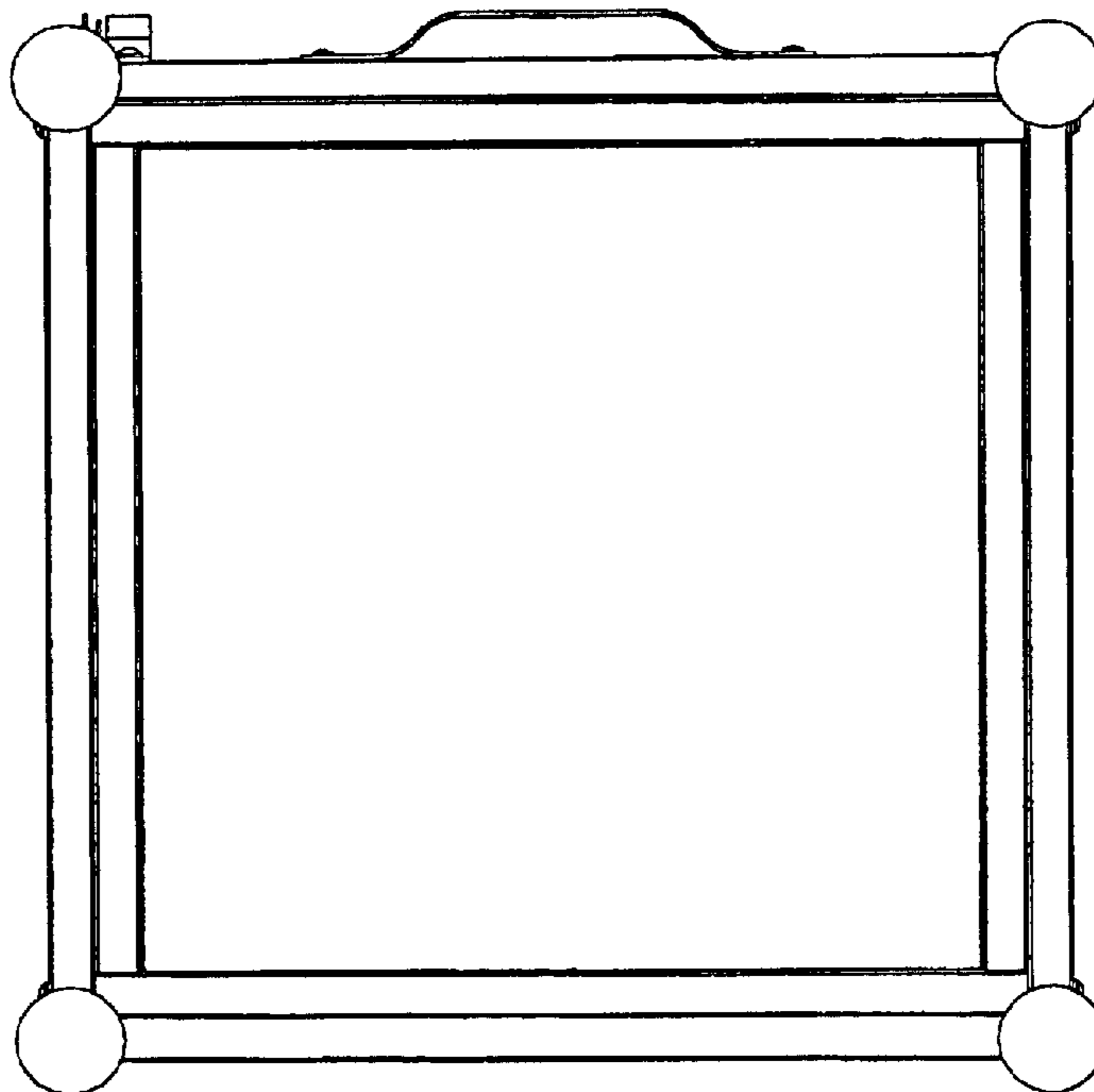


FIGURE 7

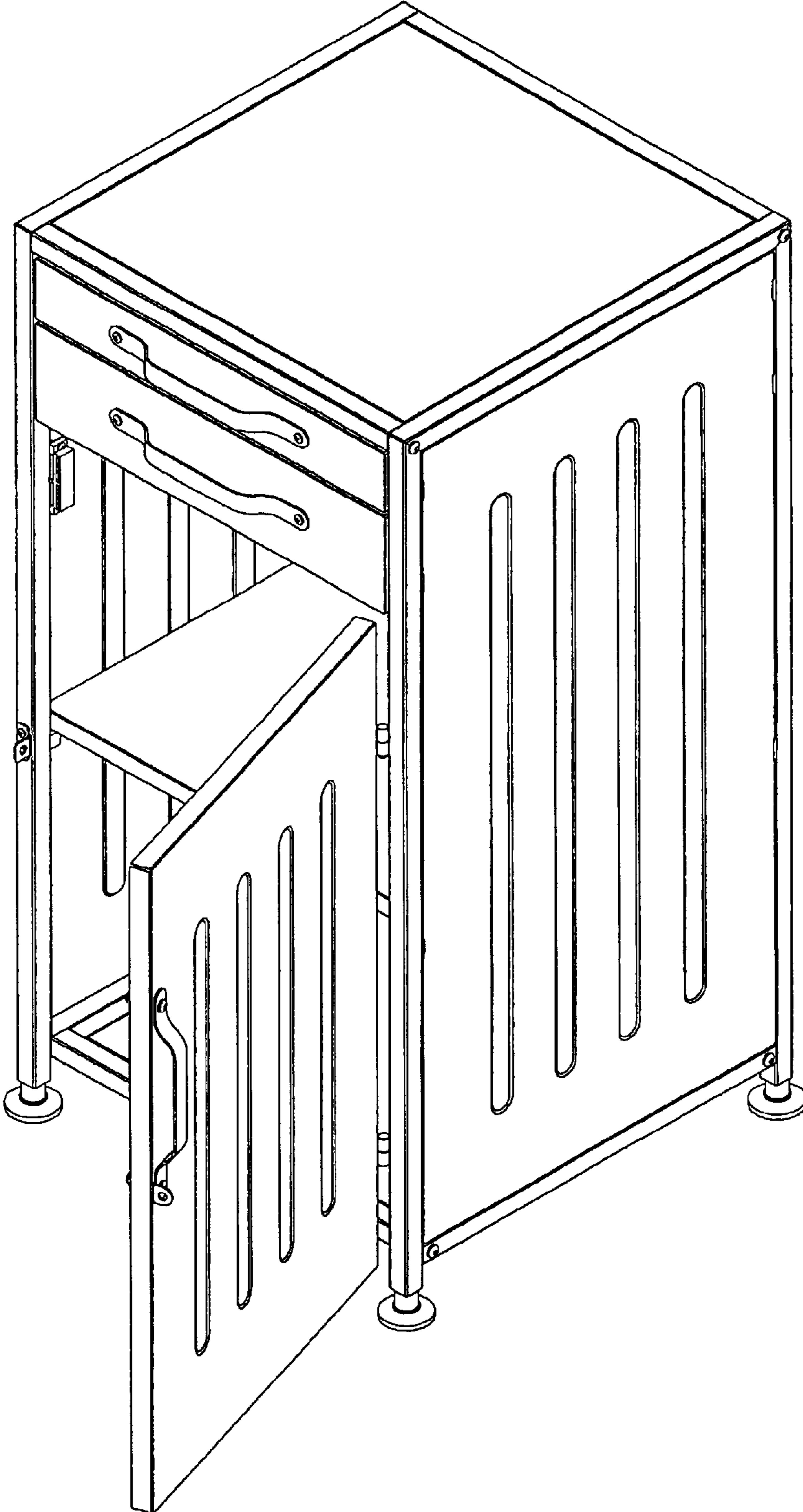


FIGURE 8

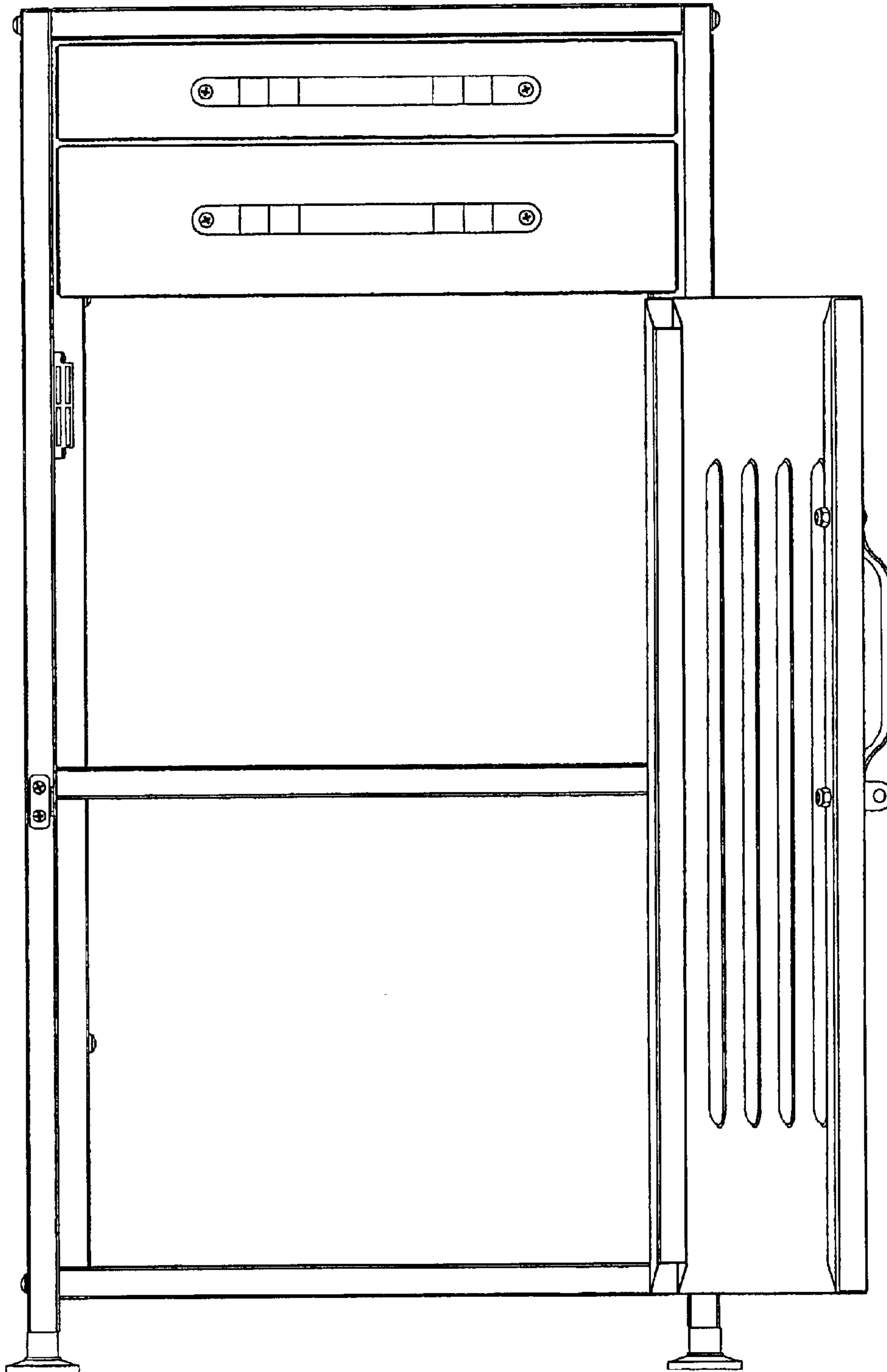


FIGURE 9