

US00D496800S1

(12) **United States Design Patent**  
**Pauschitz**

(10) **Patent No.:** **US D496,800 S**  
(45) **Date of Patent:** **\*\* Oct. 5, 2004**

- (54) **COVERED SWING SEAT**
- (75) **Inventor:** **Christoph Pauschitz, Vienna (AT)**
- (73) **Assignee:** **Acamp Aktiengesellschaft, Vorchdorf (AT)**
- (\*\*) **Term:** **14 Years**
- (21) **Appl. No.:** **29/195,029**
- (22) **Filed:** **Dec. 4, 2003**
- (51) **LOC (7) Cl.** ..... **06-01**
- (52) **U.S. Cl.** ..... **D6/347; D6/344**
- (58) **Field of Search** ..... **D6/334, 335, 344, D6/347, 374, 375, 376, 381, 500-502; 297/184.1, 232, 273, 277, 280, 281, 282, 452.13, 452.19, 452.2, 184.15; 472/118, 122, 125**

- 5,803,818 A \* 9/1998 Tseng ..... 472/125
- 5,957,780 A \* 9/1999 Grazioli ..... 472/118
- D439,423 S \* 3/2001 Tseng ..... D6/344
- 6,402,233 B1 \* 6/2002 Tseng ..... 297/184.1
- D468,546 S \* 1/2003 Tseng ..... D6/347

\* cited by examiner

*Primary Examiner*—Mimosa De  
(74) *Attorney, Agent, or Firm*—Herbert Dubno

(57) **CLAIM**

The ornamental design for a covered swing seat, as shown and described.

**DESCRIPTION**

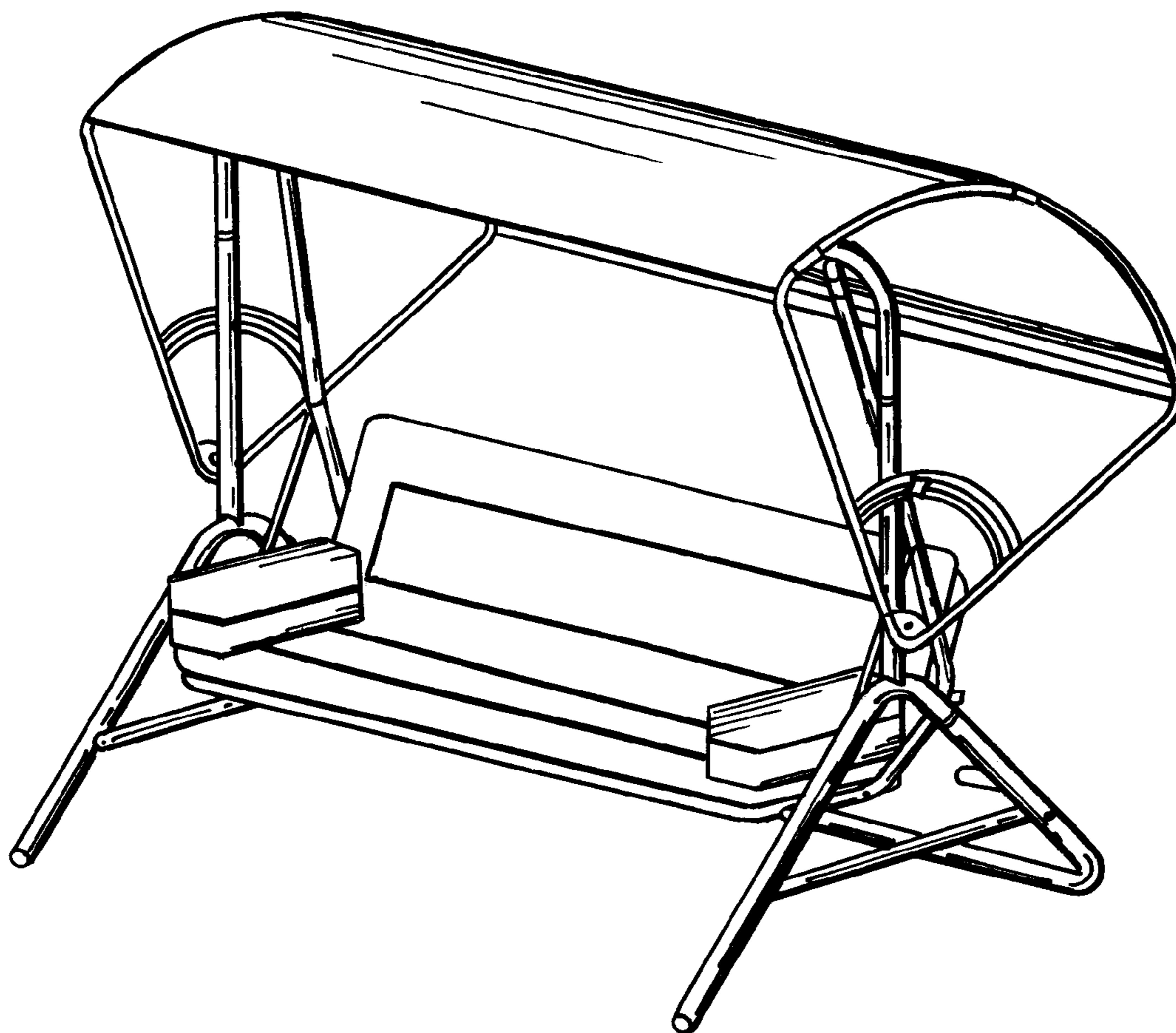
FIG. 1 is a top, front, right-side perspective view of a covered swing seat, the left side being a mirror image to the side shown; and,  
FIG. 2 is an enlarged top, rear, right-side perspective view thereof.

(56) **References Cited**

**U.S. PATENT DOCUMENTS**

- D396,564 S \* 8/1998 Tseng ..... D6/347

**1 Claim, 2 Drawing Sheets**



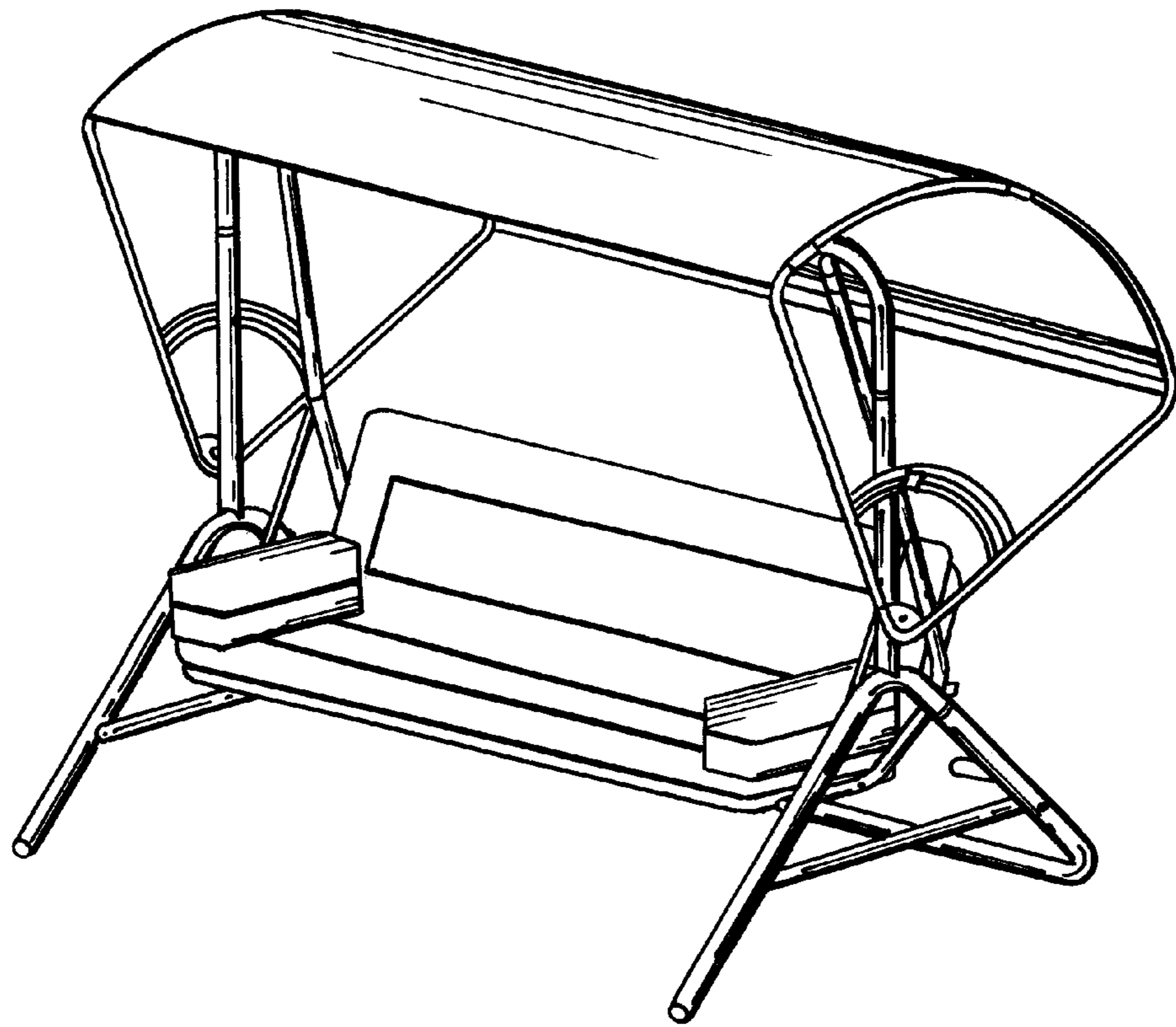


FIG.1

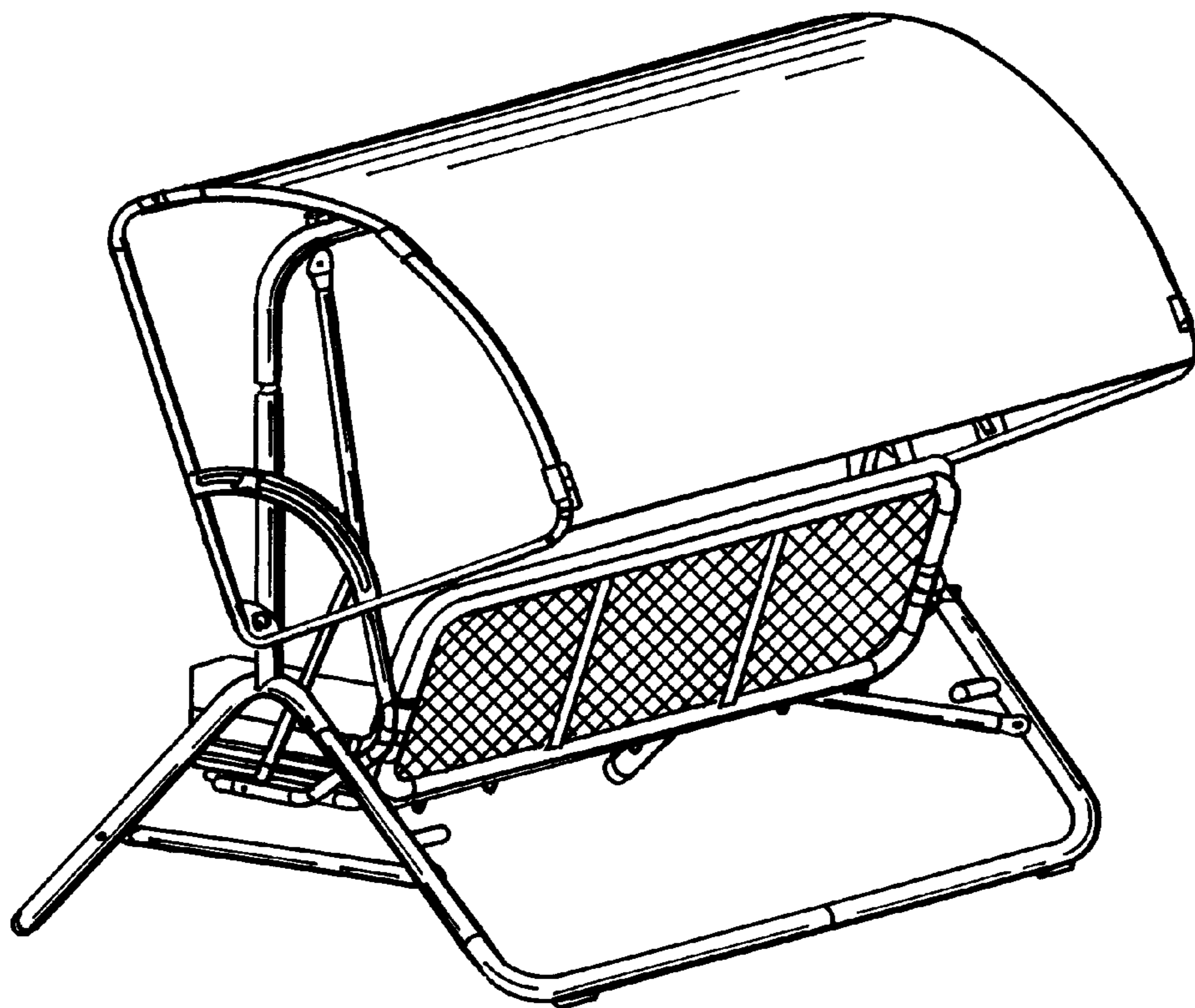


FIG. 2