



US00D496798S1

(12) **United States Design Patent** (10) **Patent No.:** **US D496,798 S**  
**Berg et al.** (45) **Date of Patent:** **\*\* Oct. 5, 2004**

(54) **DISPLAY FRAME**

(75) Inventors: **Dan Berg**, Minneapolis, MN (US);  
**Jason Johnson**, Minneapolis, MN (US)

(73) Assignee: **Skyline Displays, Inc.**, Eagan, MN  
(US)

(\*\*) Term: **14 Years**

(21) Appl. No.: **29/174,056**

(22) Filed: **Jan. 10, 2003**

**Related U.S. Application Data**

(62) Division of application No. 29/148,160, filed on Sep. 13,  
2001, now Pat. No. Des. 471,726.

(51) **LOC (7) Cl.** ..... **06-04**

(52) **U.S. Cl.** ..... **D6/332**

(58) **Field of Search** ..... D6/332, 396, 397,  
D6/402, 449, 454, 455, 456; D20/39; D25/58;  
40/603, 605, 610; 52/633, 645, 646

(56) **References Cited**

**U.S. PATENT DOCUMENTS**

2,914,872	A	*	12/1959	Goodrich	.....	D6/332	X
3,466,777	A	*	9/1969	Wistrand et al.	.....	40/605	
D232,172	S	*	7/1974	Themis	.....	D25/58	
D236,868	S	*	9/1975	Levy	.....	D6/332	
D237,663	S	*	11/1975	Levy	.....	D6/332	
4,043,086	A	*	8/1977	Kaulfuss et al.	.....	D25/58	X
4,120,124	A	*	10/1978	Temple et al.	.....	52/126.4	
4,121,645	A	*	10/1978	Behr	.....	D6/332	X
D250,378	S	*	11/1978	Woods	.....	D25/58	
4,194,313	A	*	3/1980	Downing	.....	40/610	
4,471,548	A		9/1984	Goudie	.....	40/610	
4,631,881	A		12/1986	Charman	.....	52/220	
4,658,560	A		4/1987	Beaulieu	.....	52/646	
4,700,498	A		10/1987	Perutz et al.	.....	40/603	
4,949,490	A	*	8/1990	Miller	.....	40/605	
4,986,038	A		1/1991	Backer	.....	52/71	
D317,469	S	*	6/1991	Beaulieu	.....	D20/10	

(List continued on next page.)

**OTHER PUBLICATIONS**

- Skyline Displays, Inc., *ps2000 brochure*, 2001.
- Skyline Displays, Inc., *imagine that. brochure*, 2000.
- Skyline Displays, Inc., *design ideas brochure*, 2000.
- Skyline Displays, Inc., *How Do You Market Your e-Business Offline? brochure*, 2001.
- Skyline Displays, Inc., *mirage plus brochure*, 2001.
- Skyline Displays, Inc., *skytruss brochure*, 2001.
- Trussworks, Truss Catalog web page printout, *Truss Parts*, Aug. 17, 2001.
- Trussworks, Truss Catalog web page printout, *Trussworks Photos, Graphics Frame*, p. 1, Aug. 17, 2001.
- Trussworks, Truss Catalog web page printout, *Trussworks Photos, Graphics Frame*, p. 2, Aug. 17, 2001.
- Trussworks, Truss Catalog web page printout, *Trussworks Photos, Exhibit Photos*, p. 1, Aug. 17, 2001.
- Trussworks, Truss Catalog web page printout, *Trussworks Photos, Graphics Frame*, p. 12 Aug. 17, 2001.

*Primary Examiner*—Cathron C. Brooks

(74) *Attorney, Agent, or Firm*—Patterson, Thuente, Skaar & Christensen, P.A.

(57) **CLAIM**

The ornamental design for display frame, as shown and described.

**DESCRIPTION**

FIG. 1 is a front perspective view of a display according to the invention.

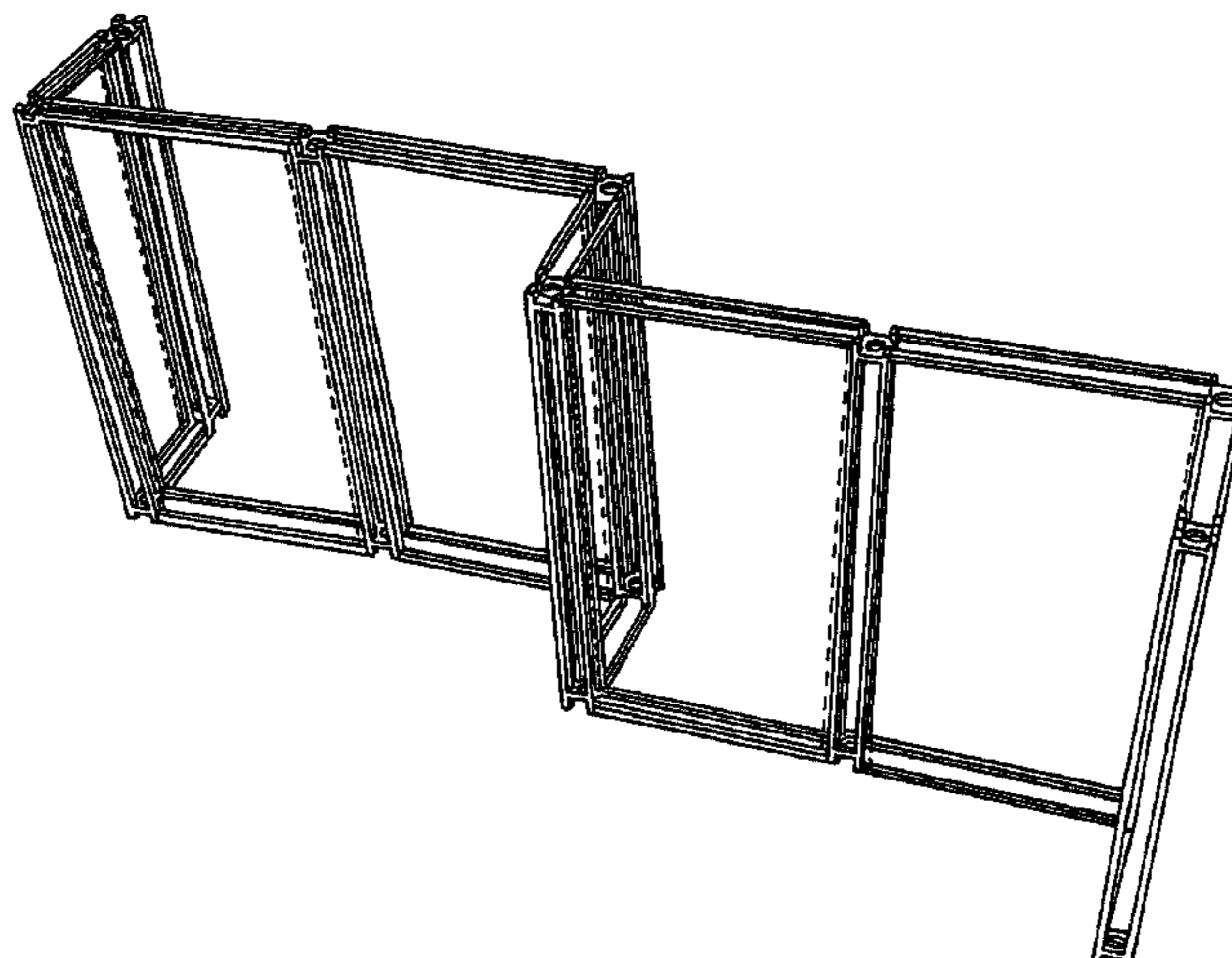
FIG. 2 is a top plan view of a display according to the invention.

FIG. 3 is a front elevational view of a display according to the invention; and,

FIG. 4 is a side elevational view of a display according to the invention.

The dashed lines indicate a possible juncture between box frames for creating columns which is not part of the claimed design.

**1 Claim, 2 Drawing Sheets**



# US D496,798 S

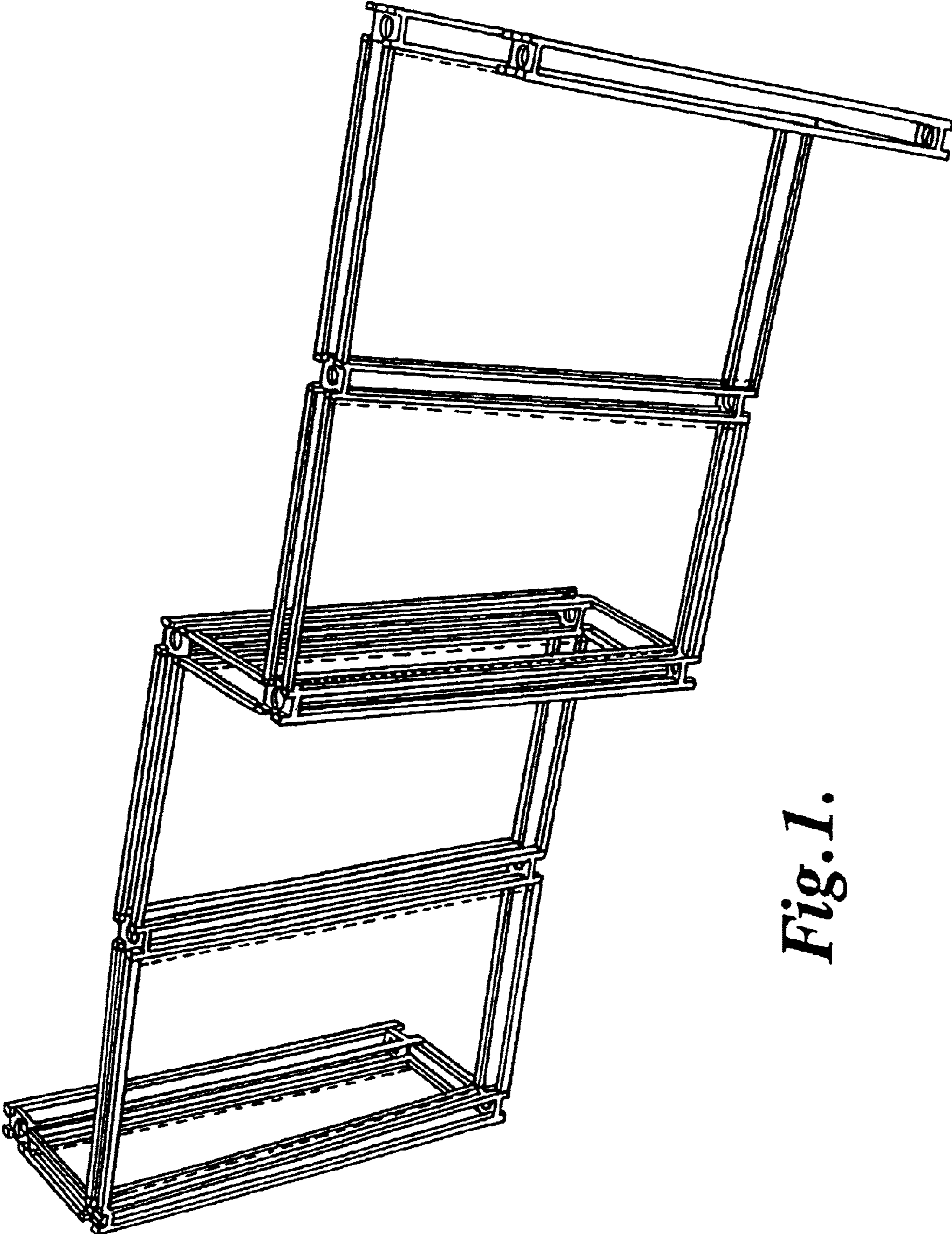
Page 2

---

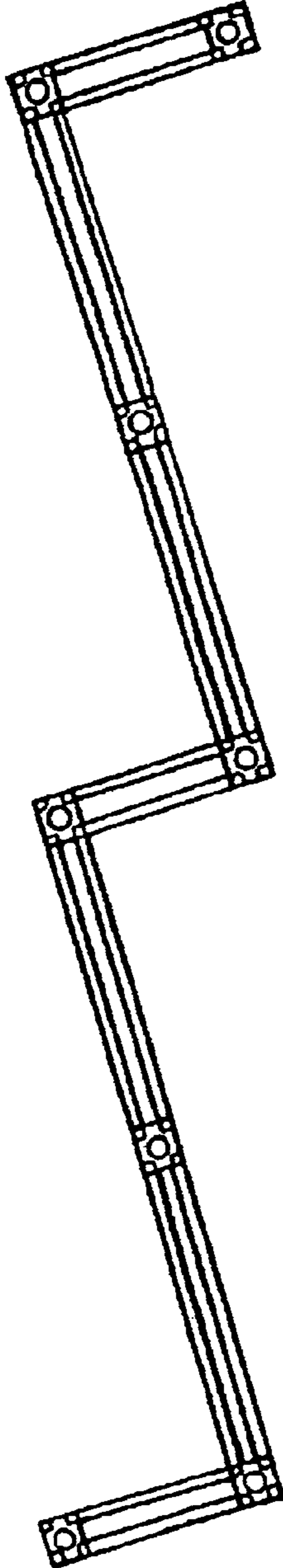
## U.S. PATENT DOCUMENTS

5,115,623 A	5/1992	Ahlberg .....	52/646	D385,044 S	*	10/1997	Johnson .....	D25/58	
5,123,550 A	6/1992	Nodskov et al. ....	211/189	5,711,131 A		1/1998	Thomas .....	52/656.9	
5,269,112 A	12/1993	Weinrub et al. ....	52/646	5,822,945 A		10/1998	Muller .....	52/646	
5,323,836 A	6/1994	Tuttle et al. ....	160/135	6,009,930 A	*	1/2000	Jantschek .....	160/135	
D354,818 S	*	1/1995	Johnson .....	D25/58	6,079,178 A		6/2000	Fisher .....	52/690
5,501,051 A	3/1996	Harlan .....	52/646	6,149,021 A		11/2000	Beaulieu .....	211/201	
5,537,766 A	7/1996	Nickens et al. ....	40/605	D446,659 S	*	8/2001	Ludwig et al. ....	D6/332	
5,561,960 A	10/1996	Minnick et al. ....	52/578	D455,016 S	*	4/2002	Newhouse .....	D6/332	

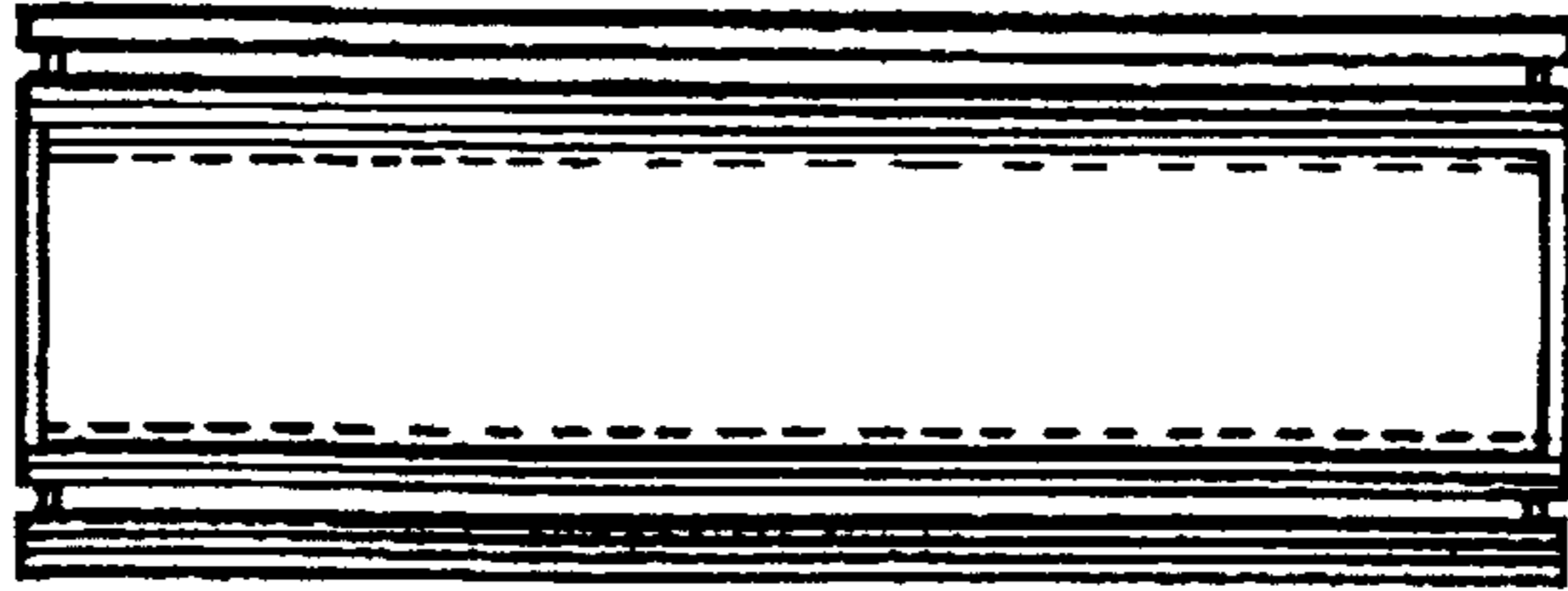
\* cited by examiner



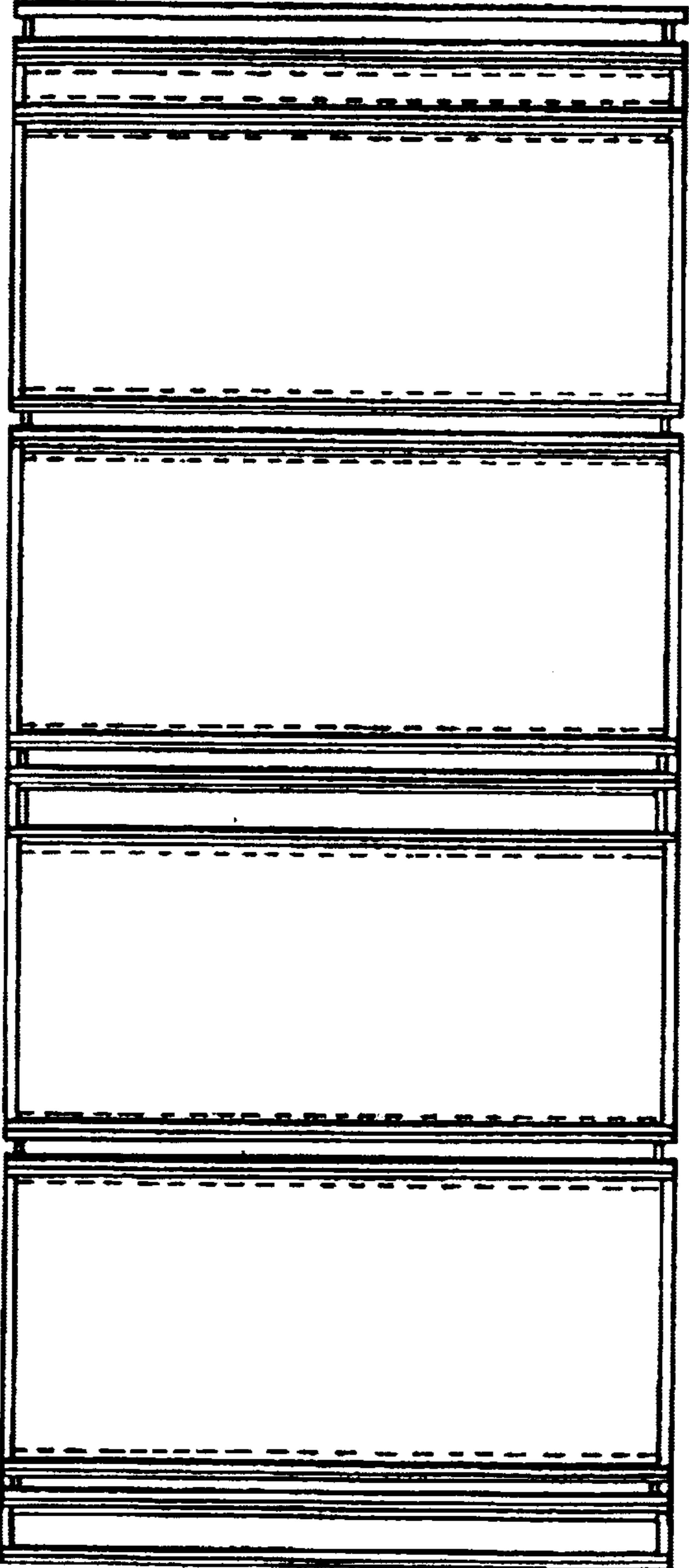
*Fig. 1.*



*Fig. 2.*



*Fig. 4.*



*Fig. 3.*