

US00D496793S1

(12) **United States Design Patent** (10) **Patent No.:** **US D496,793 S**  
**Pangerc et al.** (45) **Date of Patent:** **\*\* Oct. 5, 2004**

(54) **SEPARATOR FOR CONTAINER**

(75) Inventors: **James Pangerc**, Parkville, MD (US);  
**Gregory Scott Snider**, Bel Air, MD (US)

(73) Assignee: **Black & Decker Inc.**, Newark, DE (US)

(\*\*) Term: **14 Years**

(21) Appl. No.: **29/159,474**

(22) Filed: **Apr. 19, 2002**

(51) **LOC (7) Cl.** ..... **03-01**

(52) **U.S. Cl.** ..... **D3/319**

(58) **Field of Search** ..... D3/304, 305, 307,  
D3/313, 314, 318, 319, 273, 276, 282,  
294, 905; 182/153; 206/372, 509, 551,  
561; 211/126.5, 189; 220/4.03, 4.31, 522,  
529, 532, 533, 551, 552

D330,621 S \* 10/1992 Apps ..... D3/318  
5,289,941 A \* 3/1994 Blankenburg et al. .... 220/533  
5,553,710 A \* 9/1996 Takama ..... 206/561  
5,915,553 A 6/1999 Brown et al.

**FOREIGN PATENT DOCUMENTS**

DE 1814157 12/1968  
WO WO 94/11258 5/1994

\* cited by examiner

*Primary Examiner*—Louis S. Zarfes  
*Assistant Examiner*—Monica A. Weingart  
(74) *Attorney, Agent, or Firm*—Harness, Dickey & Pierce, P.L.C.

(57) **CLAIM**

The ornamental design for a separator for container, as shown and described.

**DESCRIPTION**

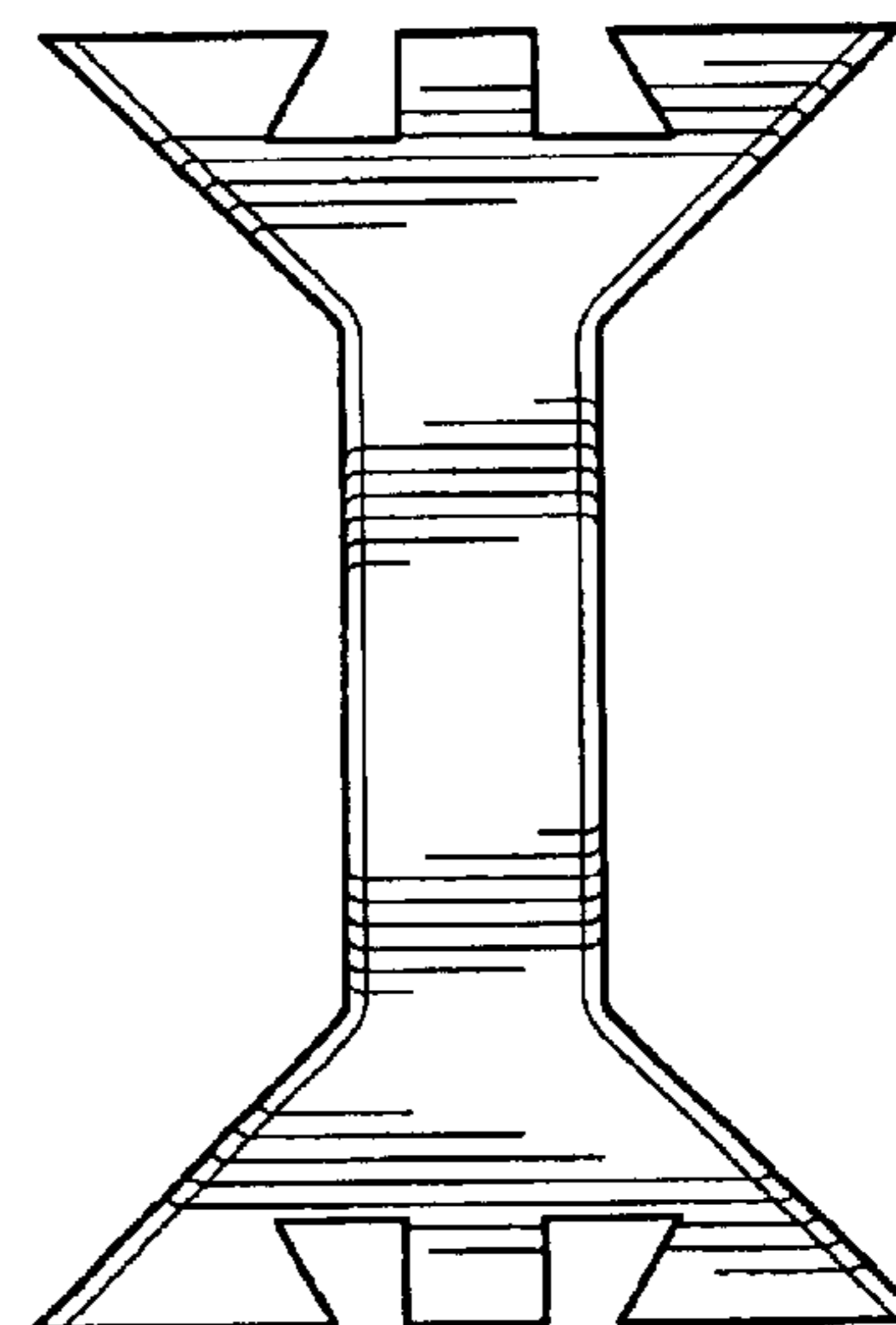
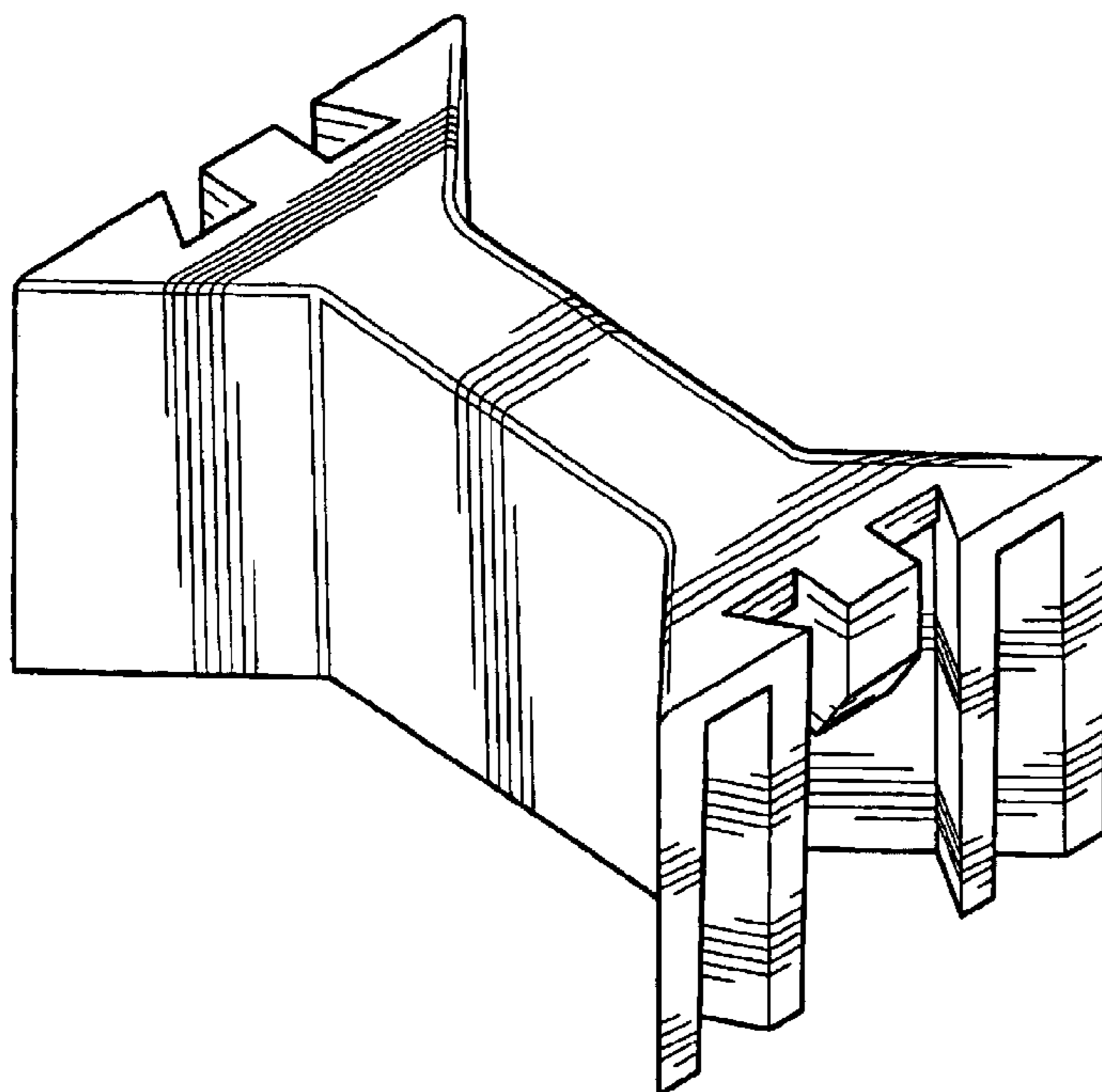
FIG. 1 is a top perspective view of a separator for container;  
FIG. 2 is a top view thereof;  
FIG. 3 is a side view thereof (both sides being identical);  
FIG. 4 is a front view thereof (the back view being identical);  
FIG. 5 is a bottom perspective view; and,  
FIG. 6 is a bottom view thereof.

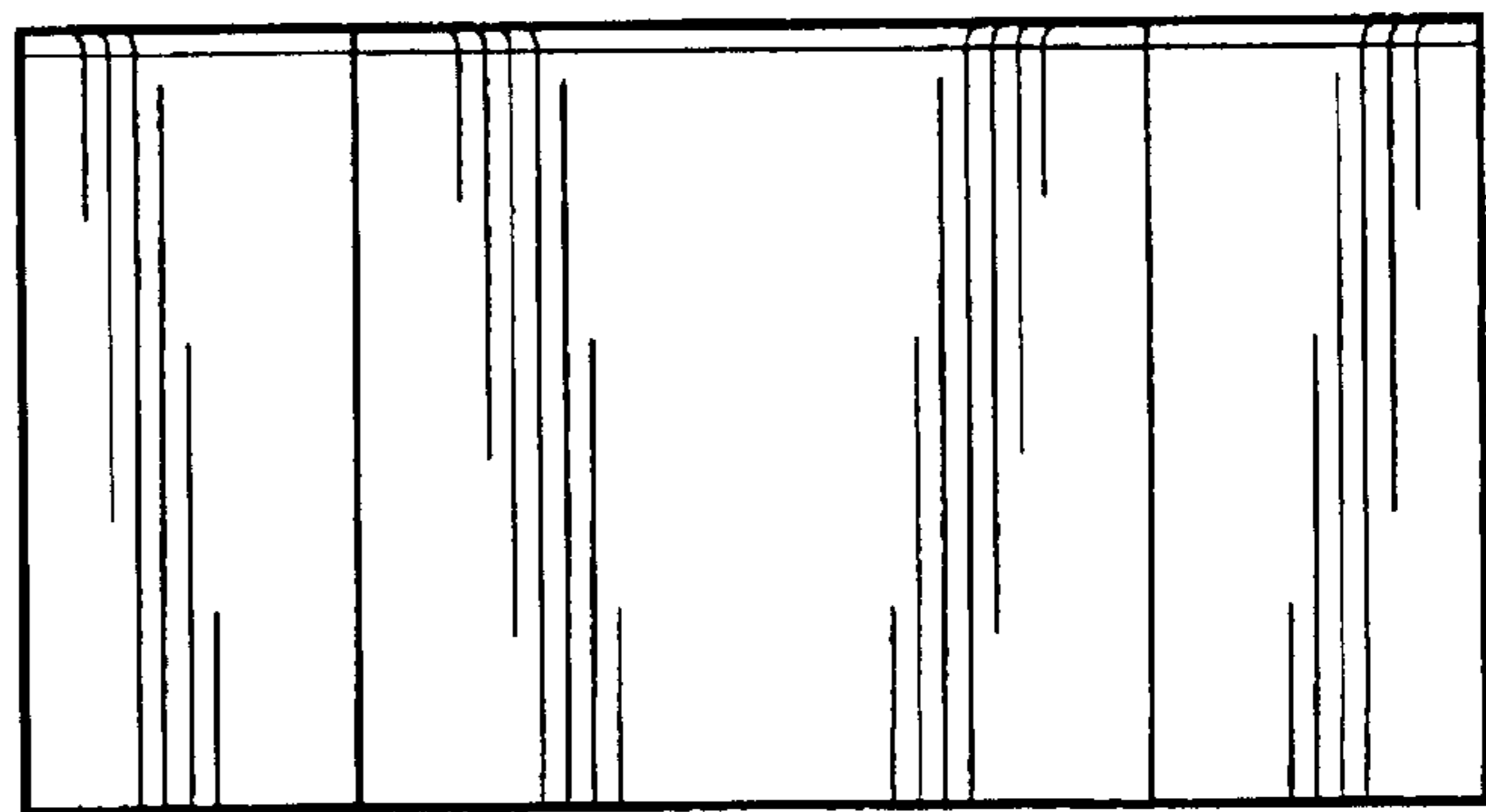
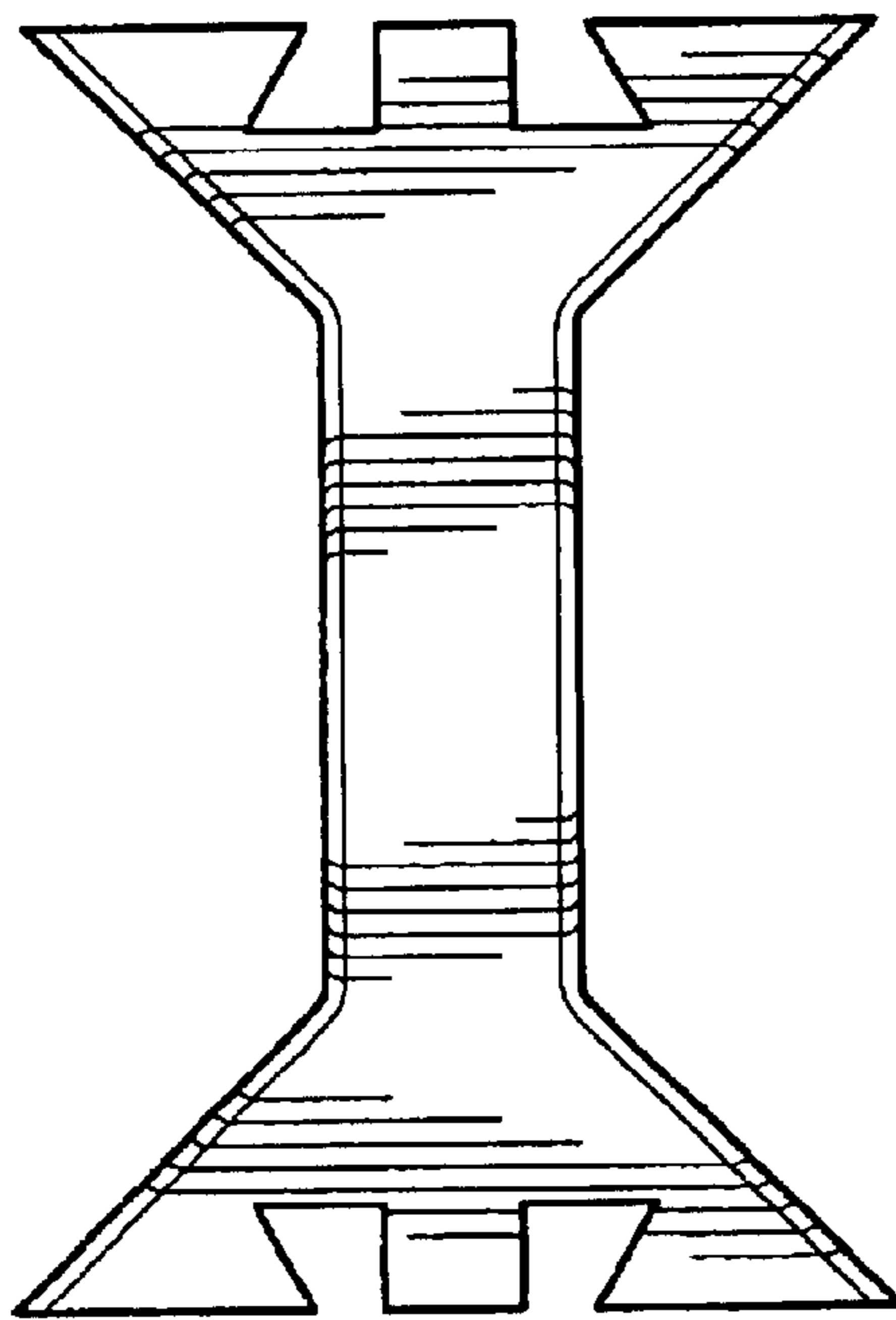
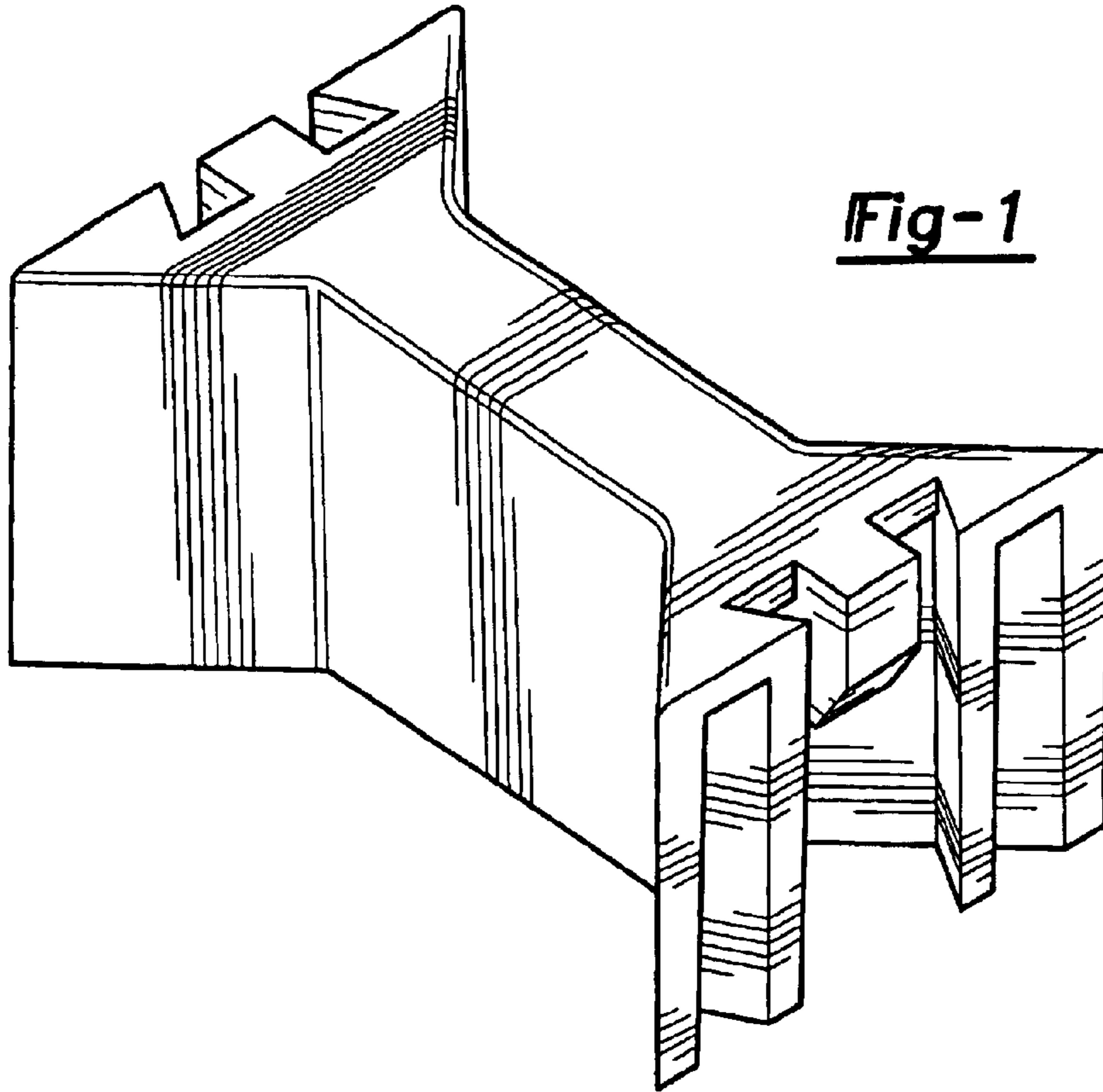
**1 Claim, 2 Drawing Sheets**

(56) **References Cited**

**U.S. PATENT DOCUMENTS**

3,581,906 A \* 6/1971 Joyce ..... 206/509  
4,346,813 A \* 8/1982 Cho et al. .... 220/532  
4,838,445 A \* 6/1989 Lanius ..... 220/533  
4,884,689 A 12/1989 Su-Chin





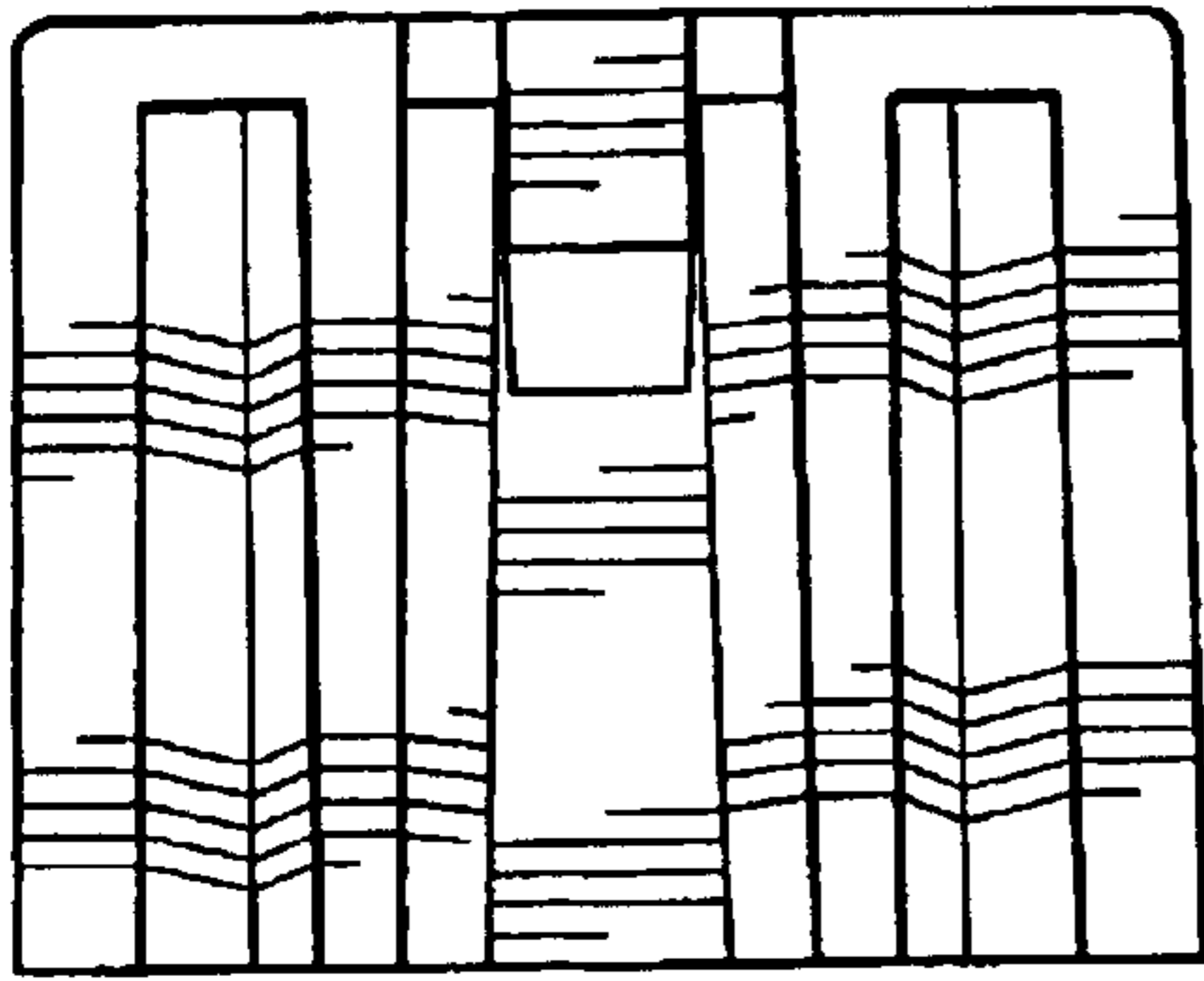


Fig-4

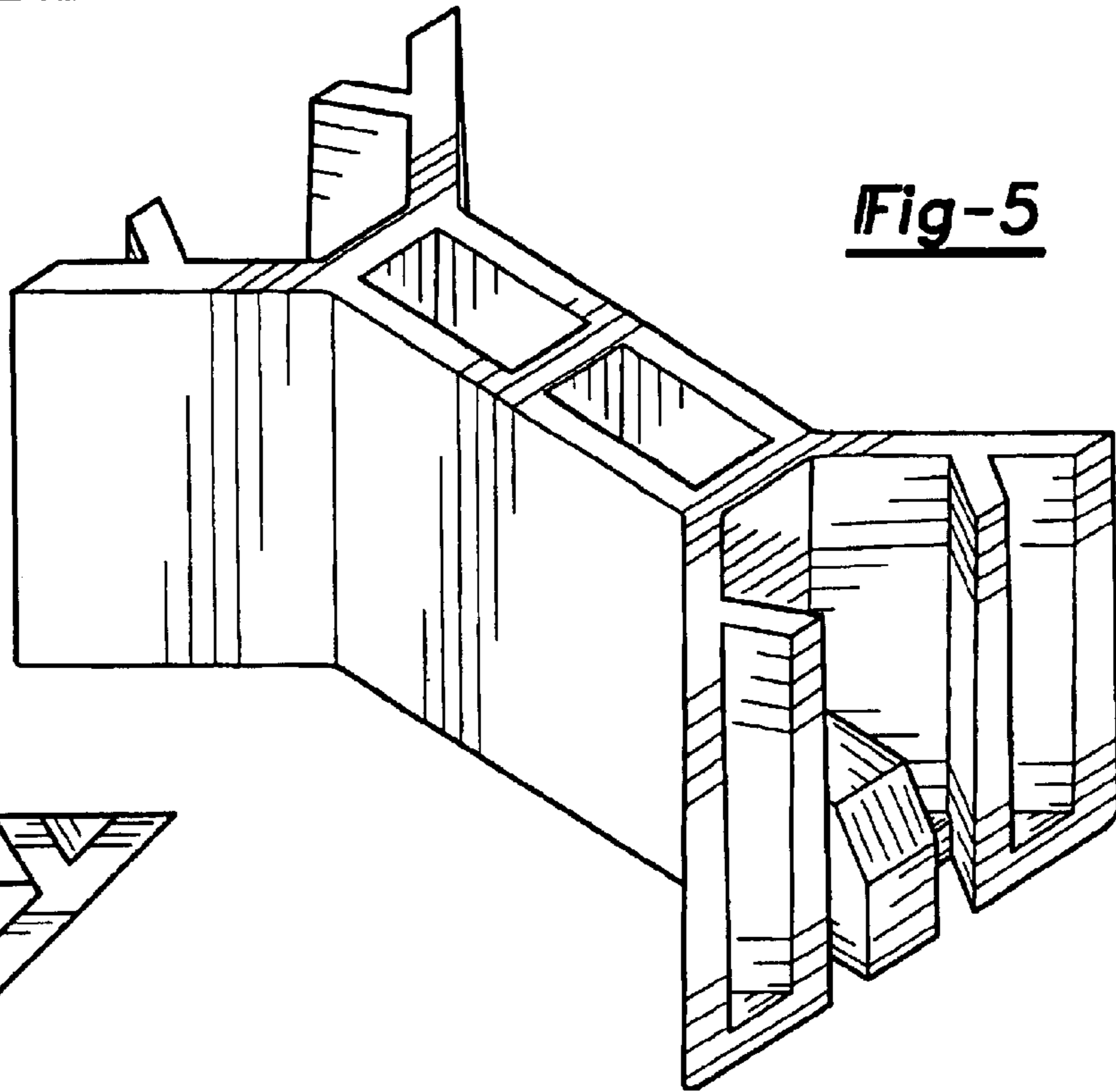


Fig-5

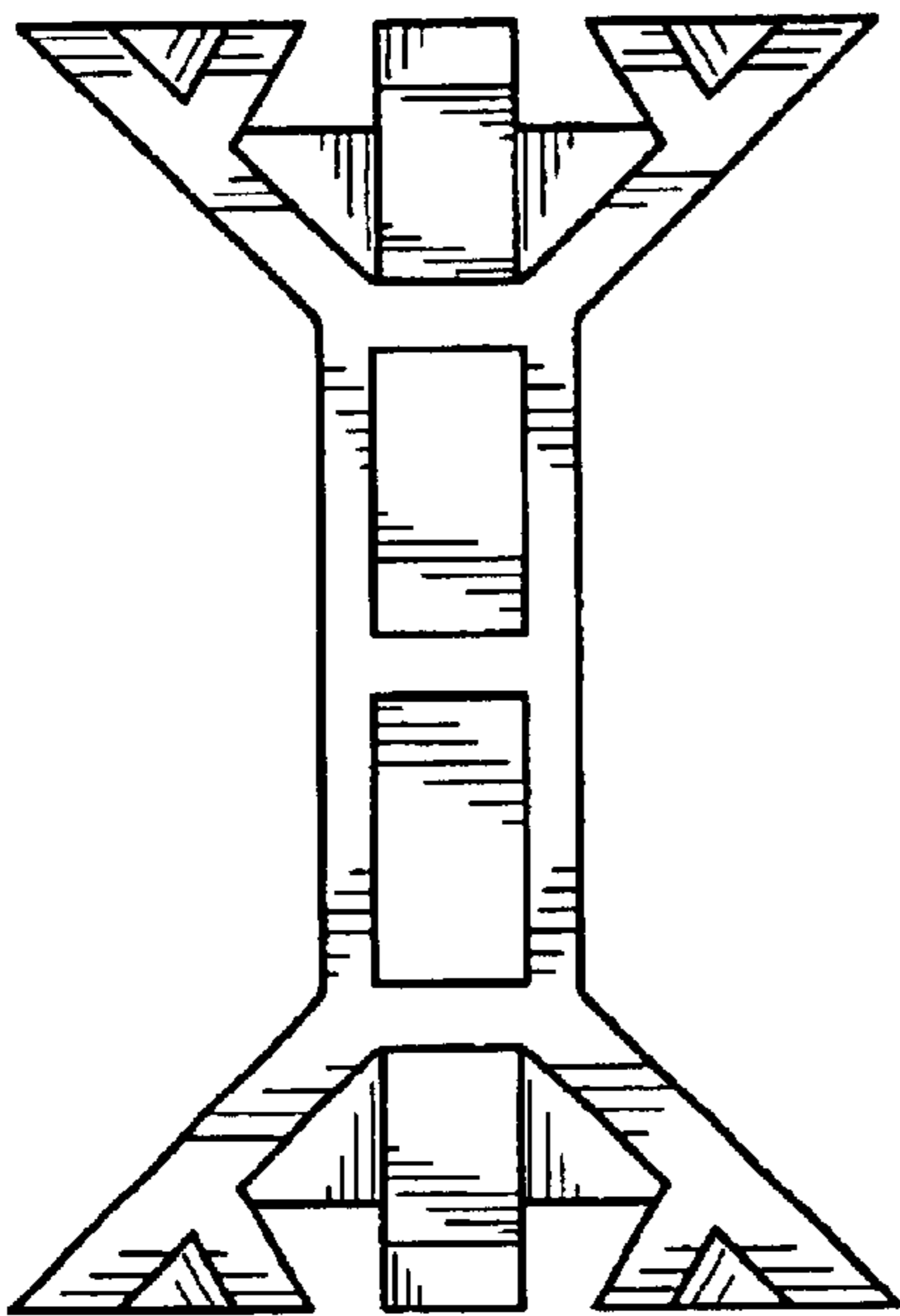


Fig-6