

US00D496785S1

(12) **United States Design Patent**
Hussaini et al.

(10) **Patent No.:** **US D496,785 S**
(45) **Date of Patent:** **** Oct. 5, 2004**

(54) **VIDEO DISPLAY HARNESS**

(75) Inventors: **Saied Hussaini**, Miami, FL (US); **Marc Iacovelli**, Miami, FL (US)

(73) Assignee: **Intec, Inc.**, Miami, FL (US)

(**) Term: **14 Years**

(21) Appl. No.: **29/191,785**

(22) Filed: **Oct. 15, 2003**

(51) **LOC (7) Cl.** **03-01**

(52) **U.S. Cl.** **D3/218**

(58) **Field of Search** D3/218, 215, 224,
D3/226, 201, 219, 267; 224/901, 904, 908,
909; 206/316.2

(56) **References Cited**

U.S. PATENT DOCUMENTS

4,923,060	A	*	5/1990	Breslau	206/316.2
5,205,448	A	*	4/1993	Kester et al.	224/908
D426,702	S	*	6/2000	Yen	D3/226
D461,631	S	*	8/2002	Hussaini et al.	D3/218
D482,865	S	*	12/2003	Fair	D3/267
2003/0127479	A1	*	7/2003	Giggleman	224/909

* cited by examiner

Primary Examiner—Catherine R. Oliver
(74) *Attorney, Agent, or Firm*—Liniak, Bereanto & White

(57) **CLAIM**

The ornamental design for a video display harness, as shown and described.

DESCRIPTION

FIG. 1 is a perspective view of the video display harness according to the present invention.

FIG. 2 is a front view of the video display harness of FIG. 1.

FIG. 3 is a rear view of the video display harness of FIG. 1.

FIG. 4 is a left side view of the video display harness of FIG. 1.

FIG. 5 is a right side view of the video display harness of FIG. 1.

FIG. 6 is a top view of the video display harness of FIG. 1; and,

FIG. 7 is a bottom view of the video display harness of FIG. 1.

The belt is shown broken away to indicate indeterminate length.

The broken lines shown on the harness represent top stitching.

1 Claim, 7 Drawing Sheets

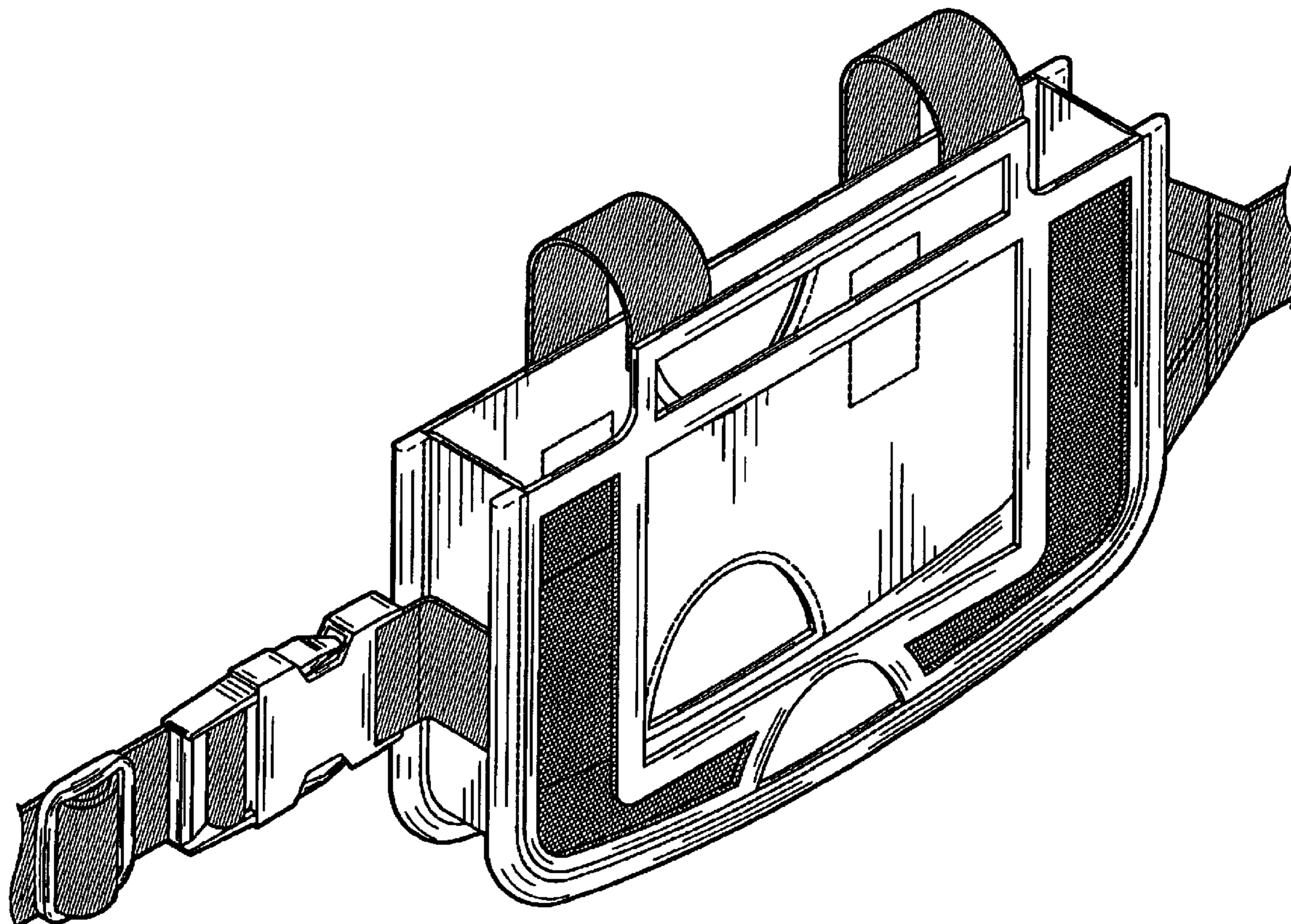


Fig. 1

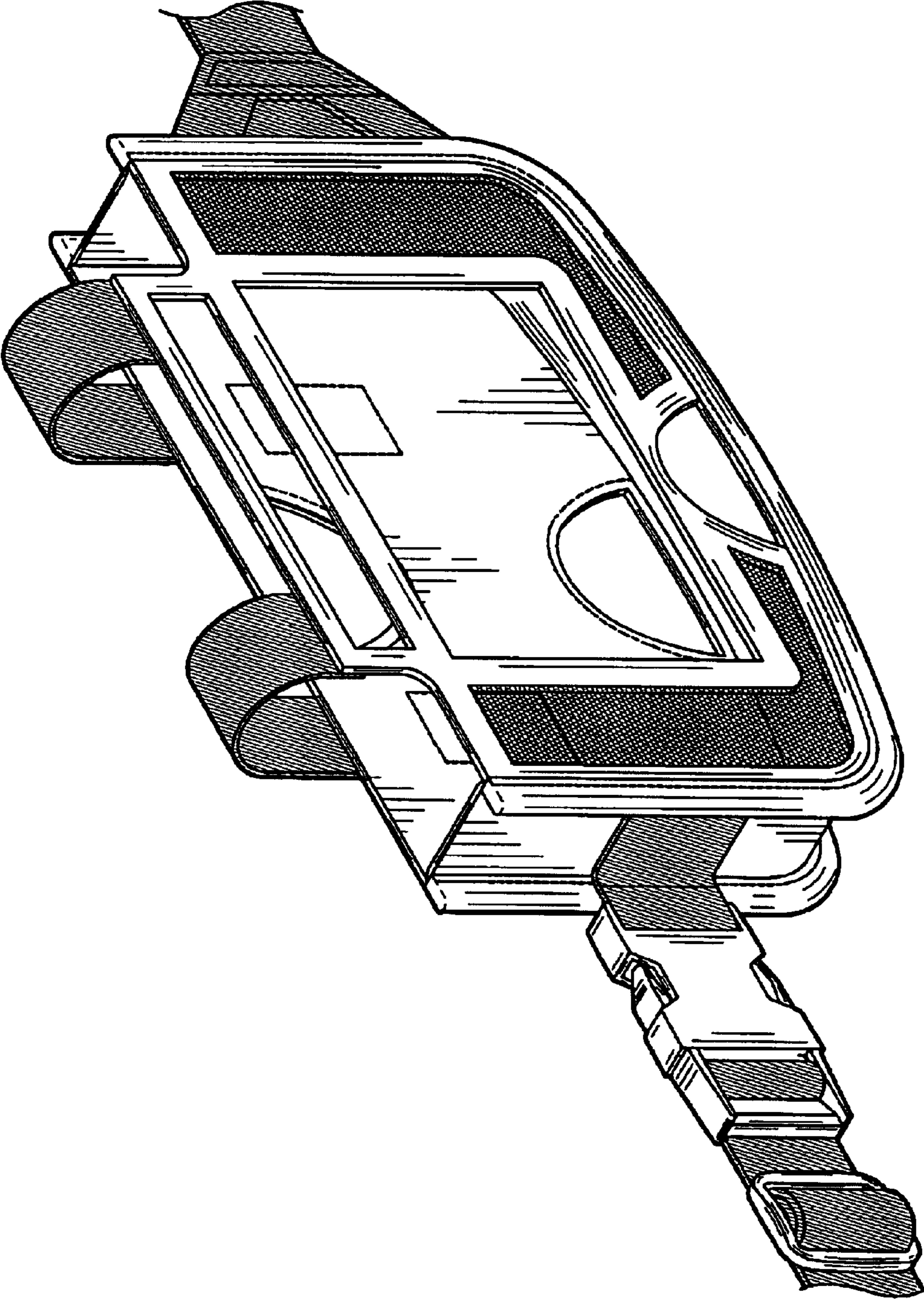


Fig. 2

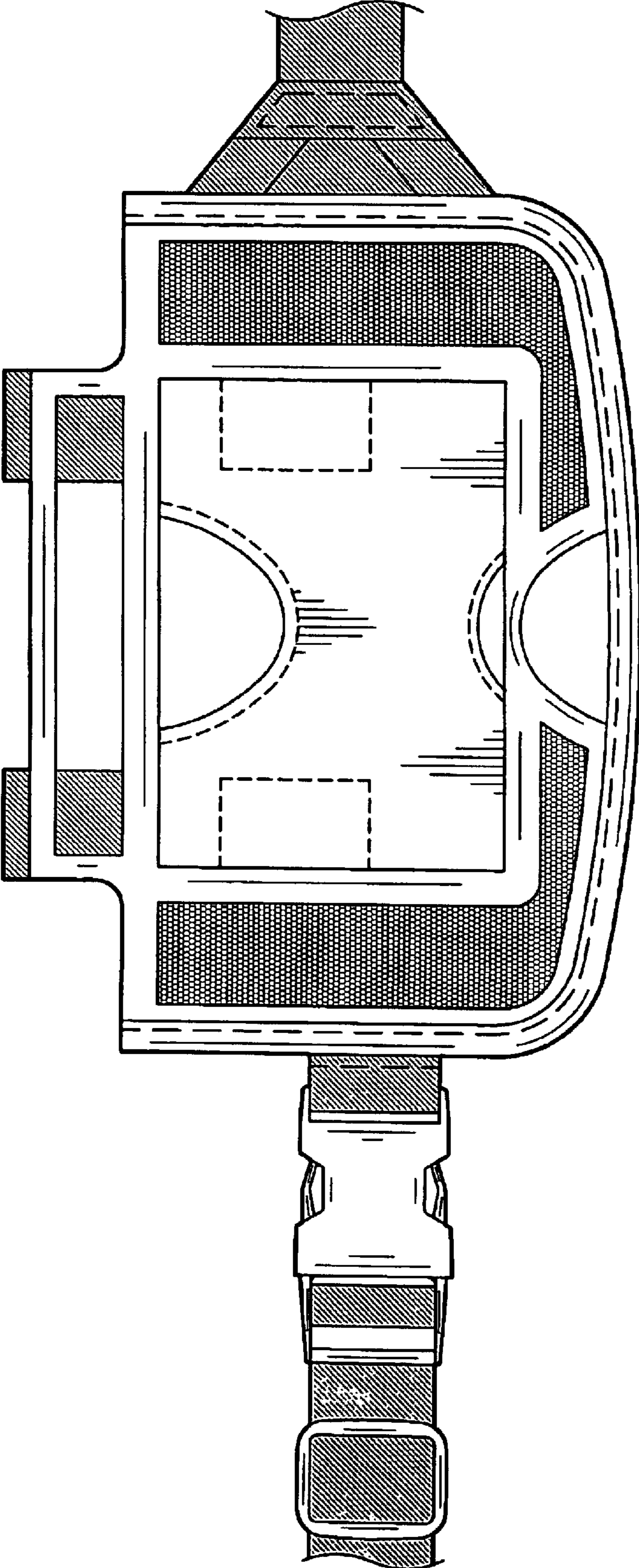


Fig. 3

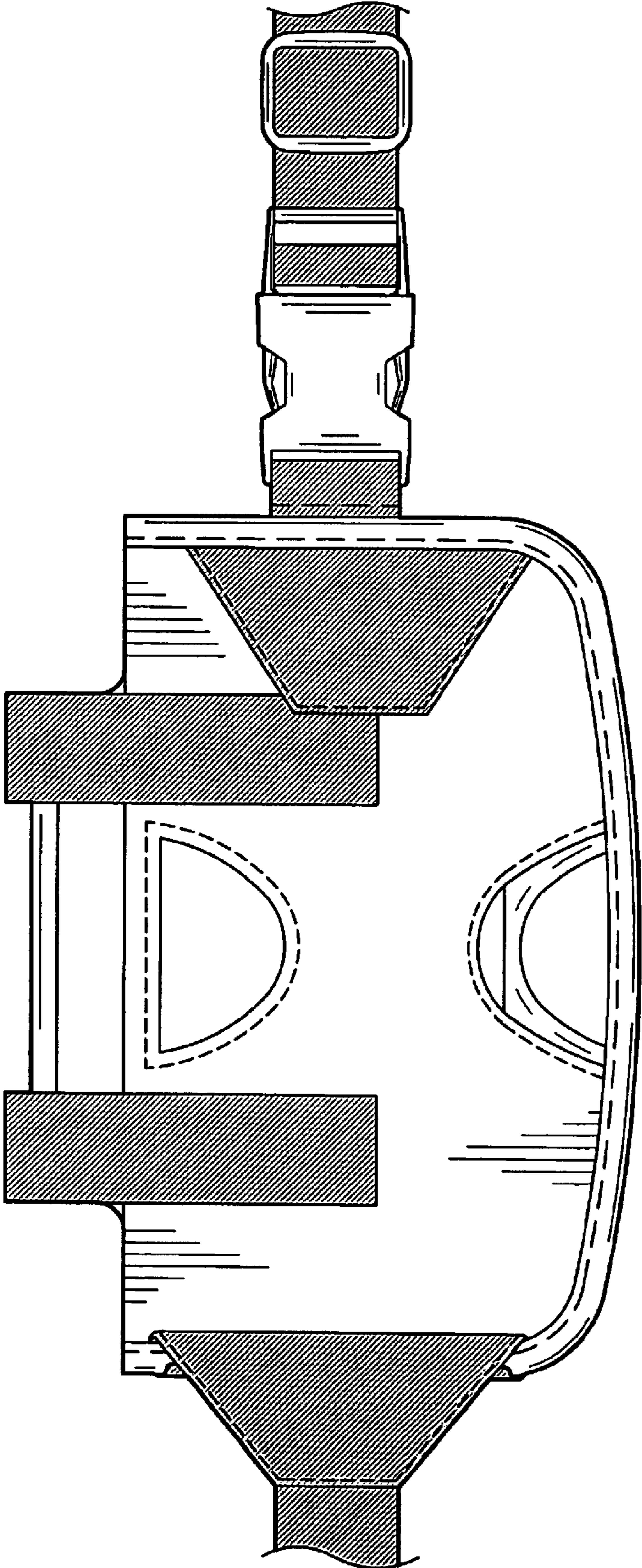


Fig. 4

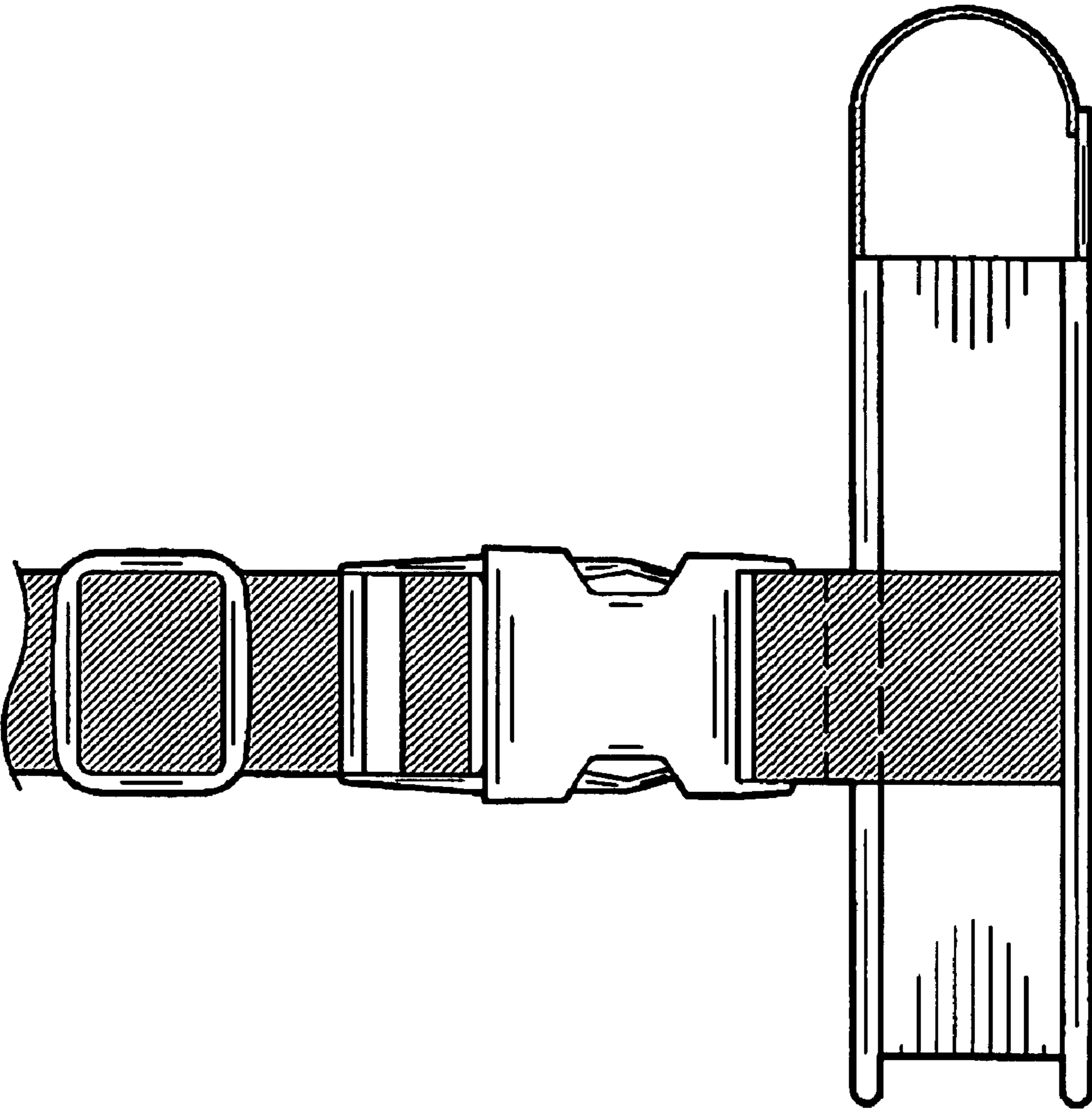


Fig. 5

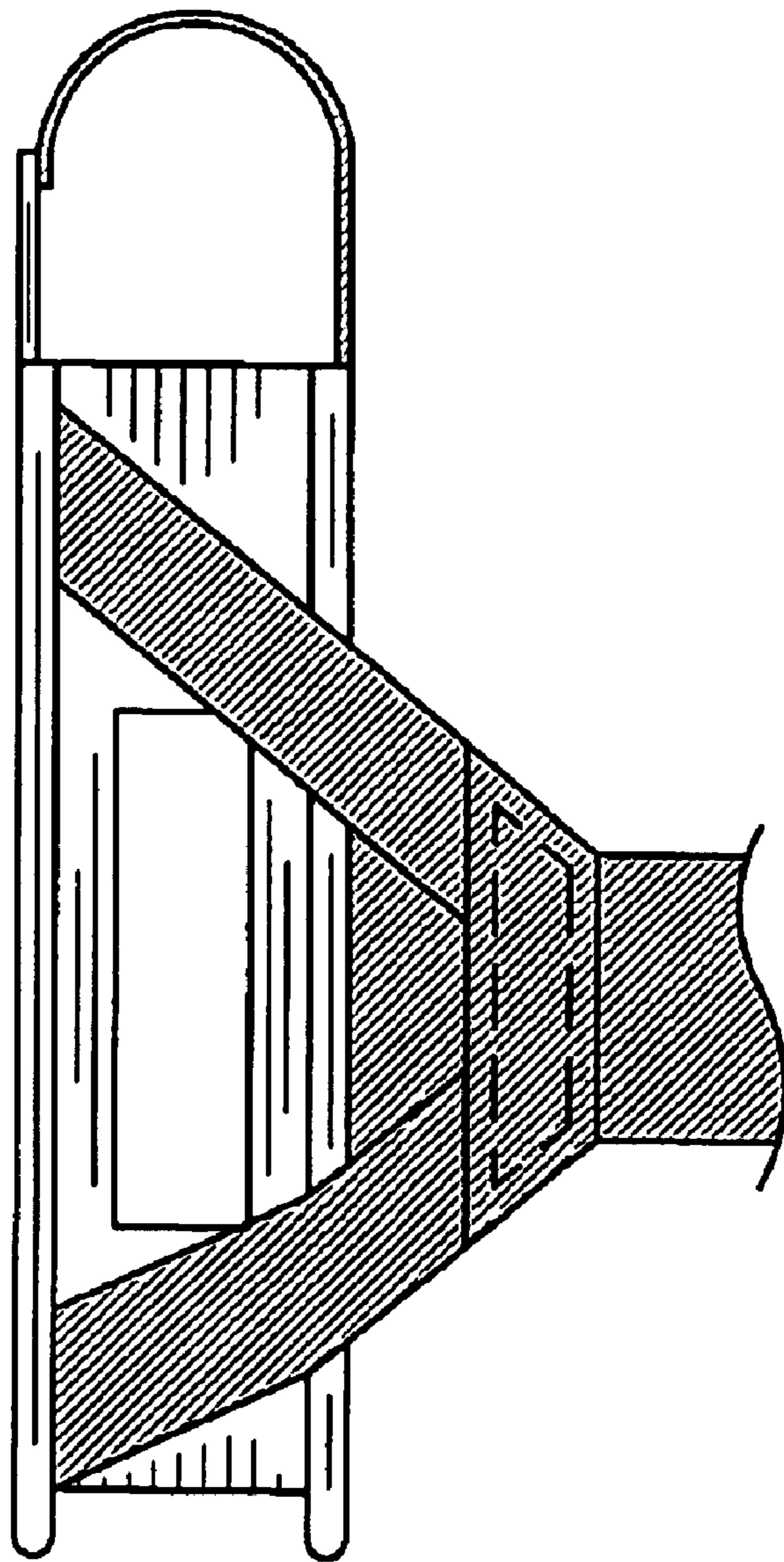


Fig. 6

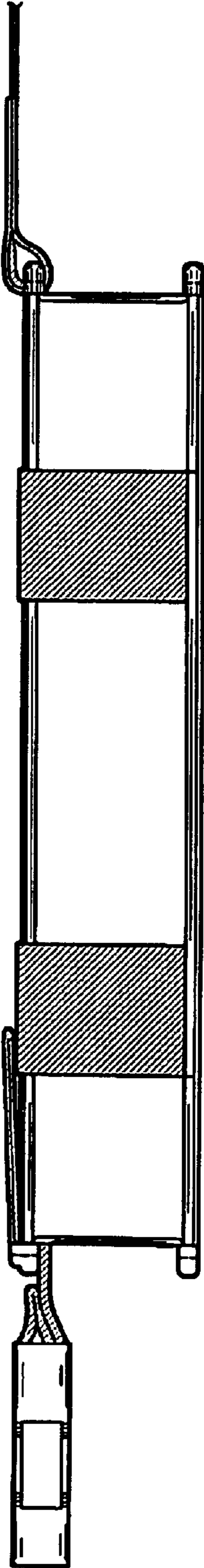


Fig. 7

