

US00D496782S1

(12) **United States Design Patent**
Miles

(10) **Patent No.:** **US D496,782 S**

(45) **Date of Patent:** **** Oct. 5, 2004**

(54) **UMBRELLA WITH BENDABLE STAFF AND GRIP HANDLE**

D306,093 S * 2/1990 Lerch D3/5
5,836,327 A 11/1998 Davis 135/16
D477,906 S * 8/2003 Martin D3/5

(76) Inventor: **Collette Miles**, 30-10E Richman Plz.,
Bronx, NY (US) 10453

* cited by examiner

(**) Term: **14 Years**

Primary Examiner—Robert A. Delehanty
(74) *Attorney, Agent, or Firm*—Goldstein Law Offices, PC

(21) Appl. No.: **29/187,962**

(57) **CLAIM**

(22) Filed: **Aug. 11, 2003**

The ornamental design for an umbrella with bendable staff and grip handle, as shown and described.

(51) **LOC (7) Cl.** **03-03**

(52) **U.S. Cl.** **D3/5**

(58) **Field of Search** D3/5-6, 10, 12-13;
135/98, 16, 37, 19.5, 21-24, 25.1, 25.2,
33.7, 20.1; 297/184.16; D8/73

DESCRIPTION

FIG. 1 is a perspective view of an umbrella with bendable staff and grip handle.

FIG. 2 is a front elevational view thereof.

FIG. 3 is a rear elevational view thereof.

FIG. 4 is a right side elevational view thereof.

FIG. 5 is a left side elevational view thereof.

FIG. 6 is a top plan view of the umbrella with bendable staff and grip handle; and,

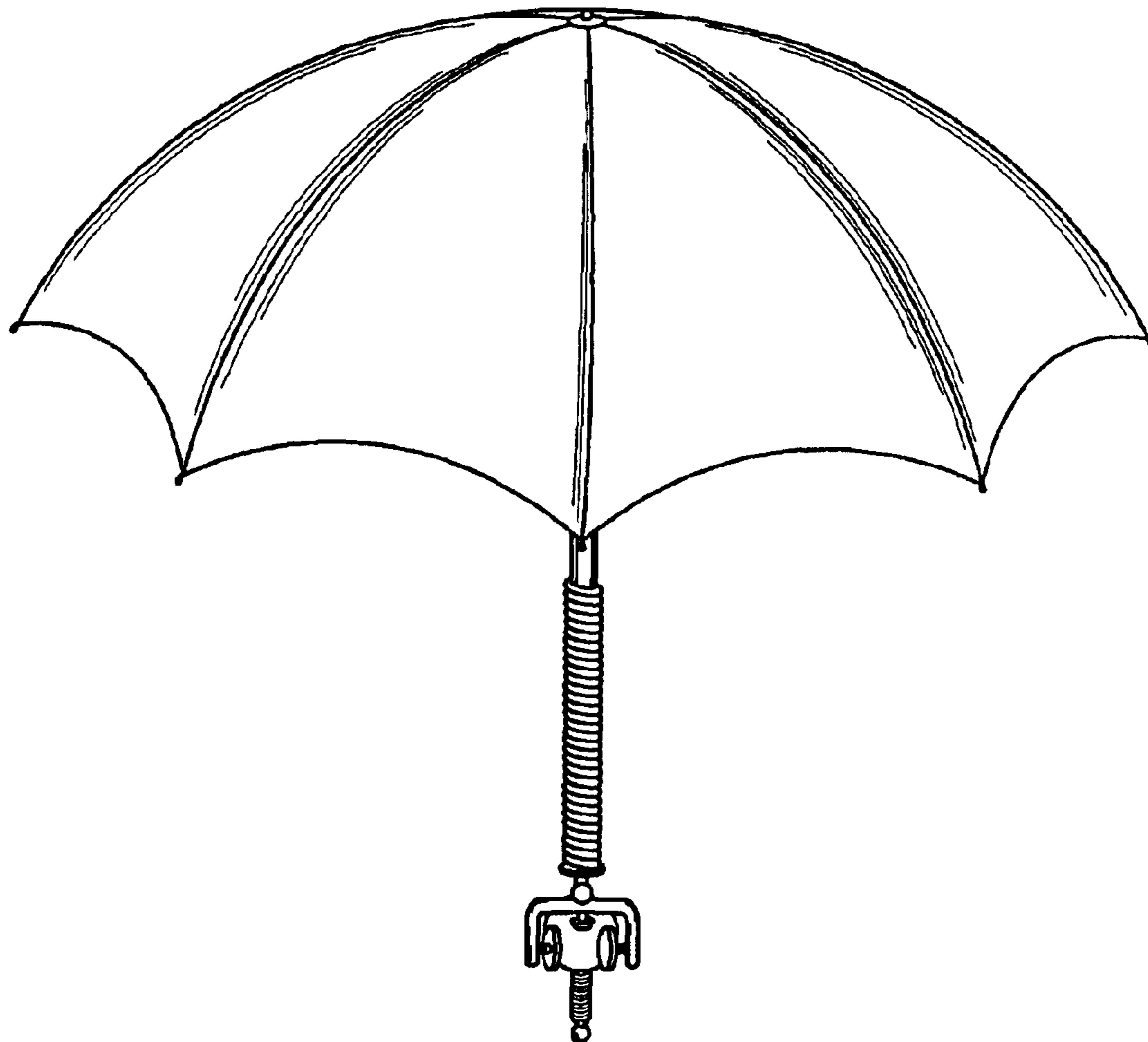
FIG. 7 is a bottom plan view thereof.

(56) **References Cited**

U.S. PATENT DOCUMENTS

2,841,160 A 7/1958 Wispelere 135/35
2,875,772 A 3/1959 Canady 135/35
3,521,651 A * 7/1970 Pearlstine 135/20.1
3,765,434 A 10/1973 Riggs 135/20 A

1 Claim, 4 Drawing Sheets



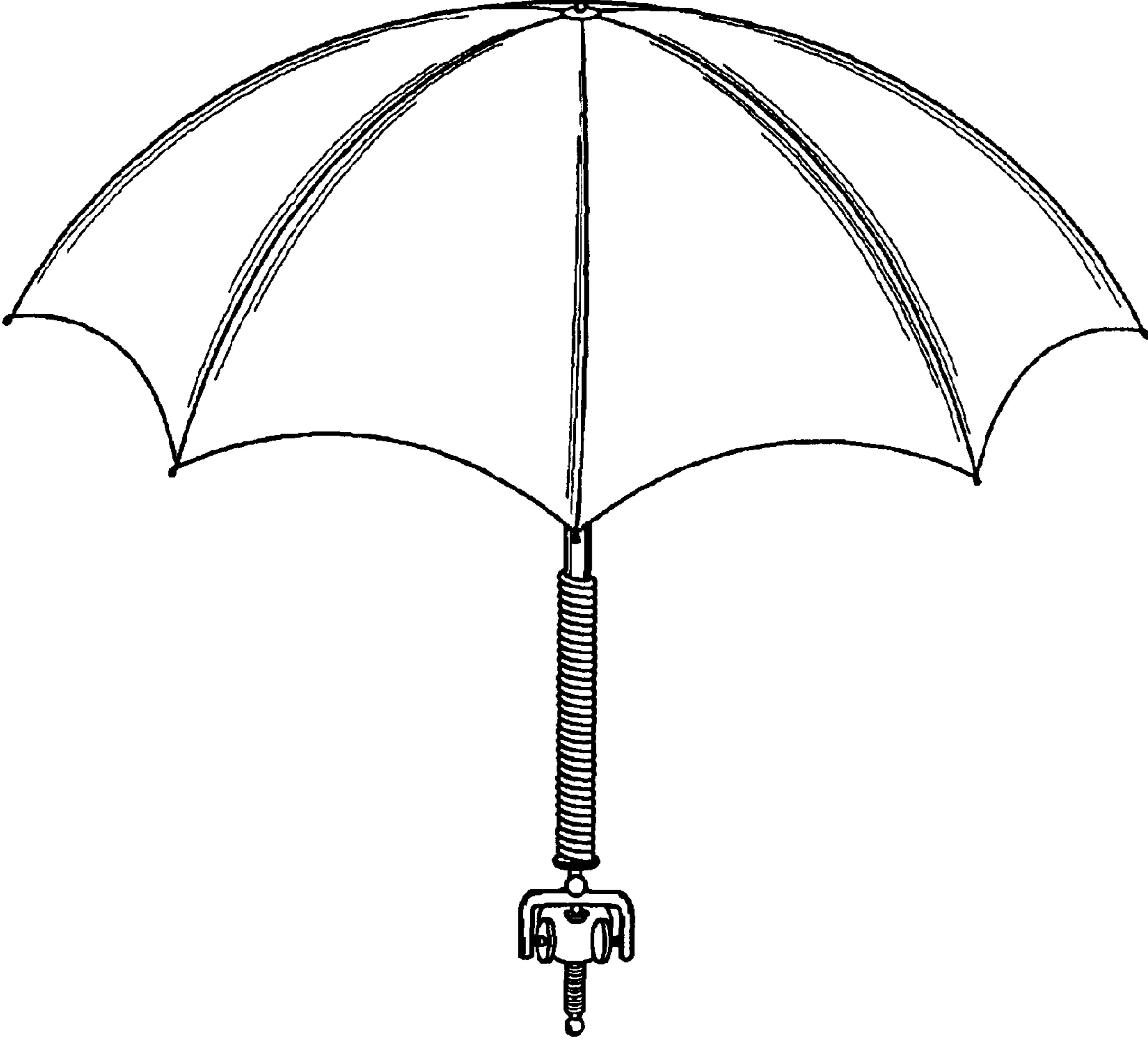


FIG. 1

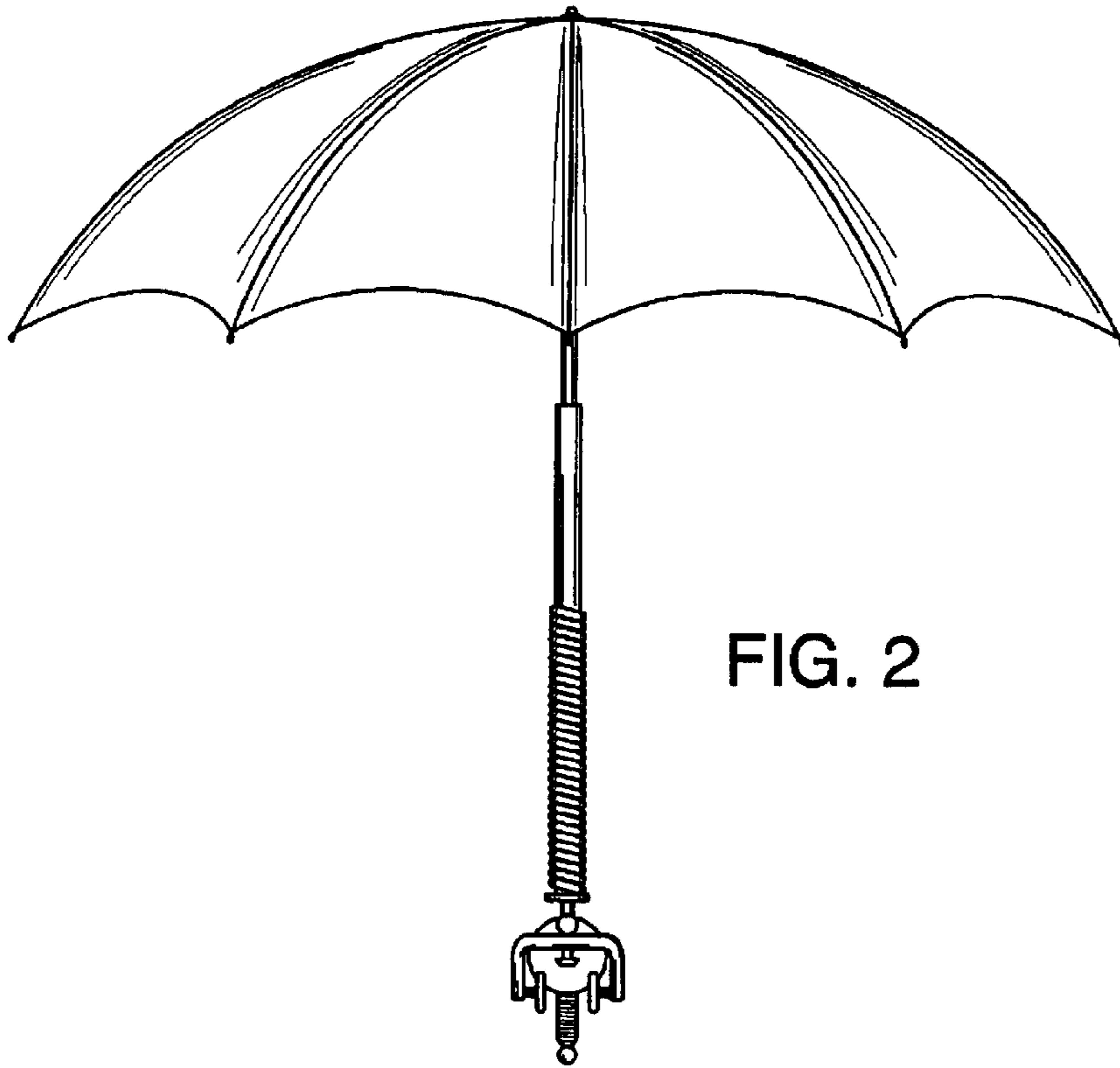


FIG. 2

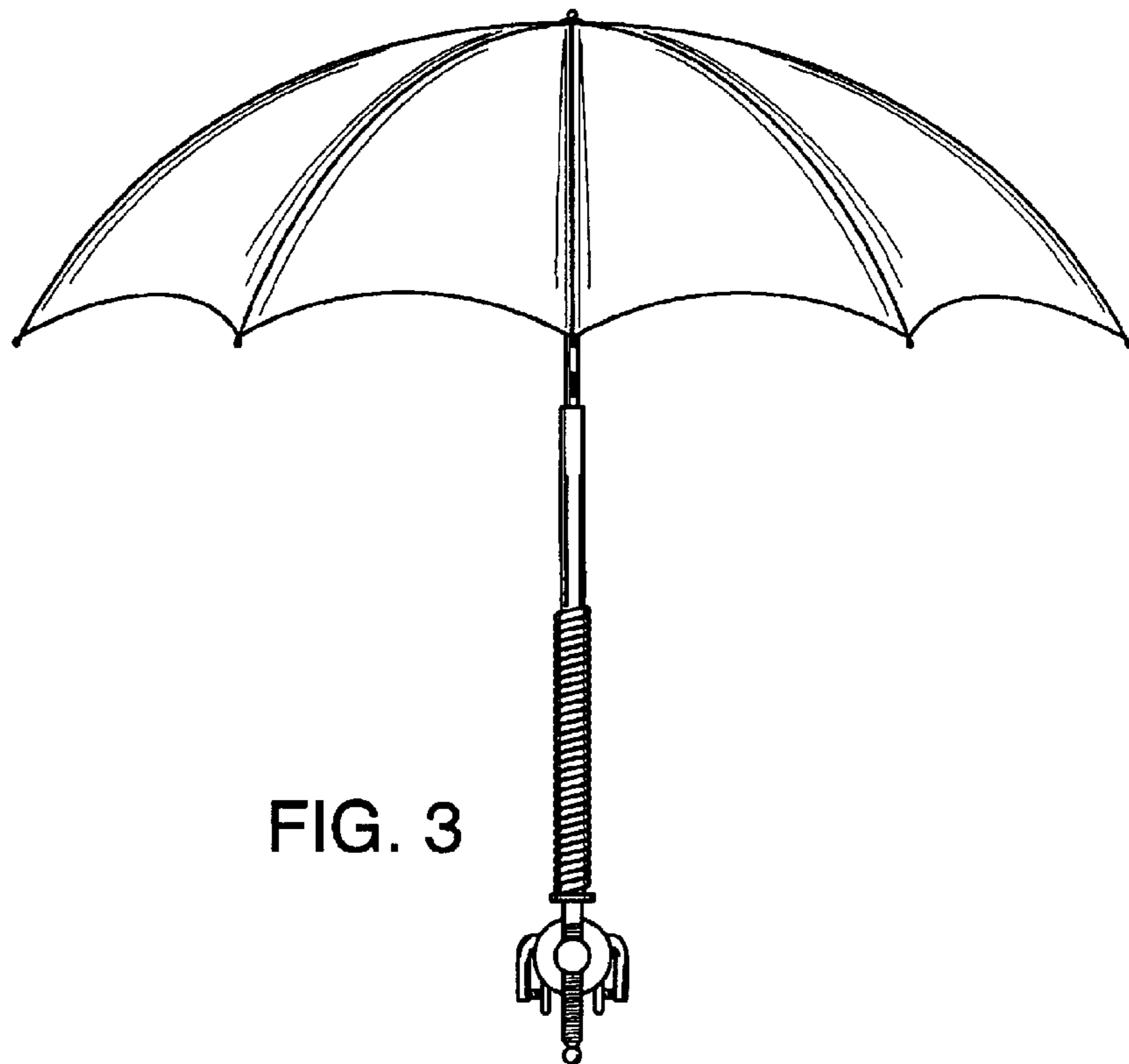
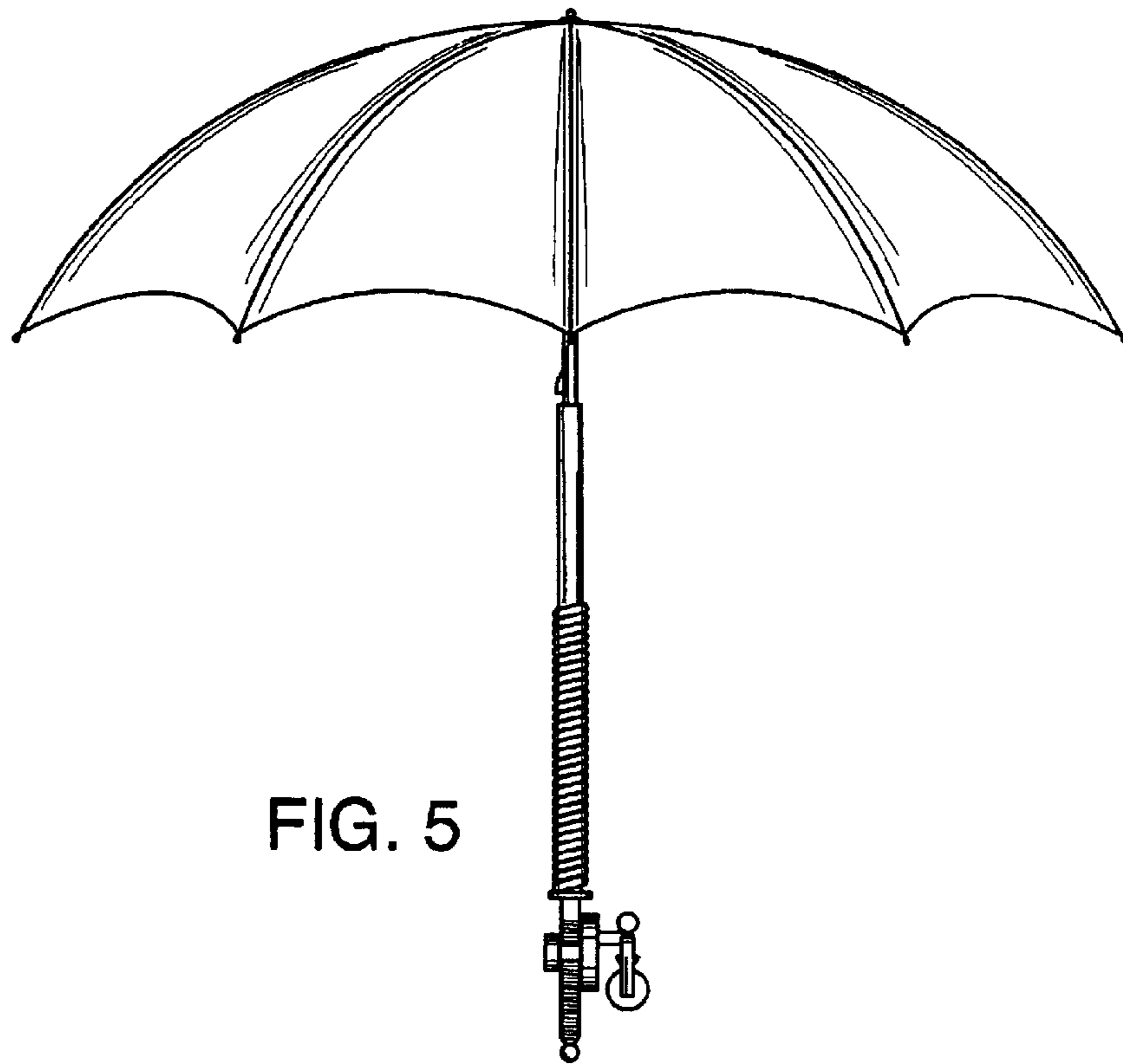
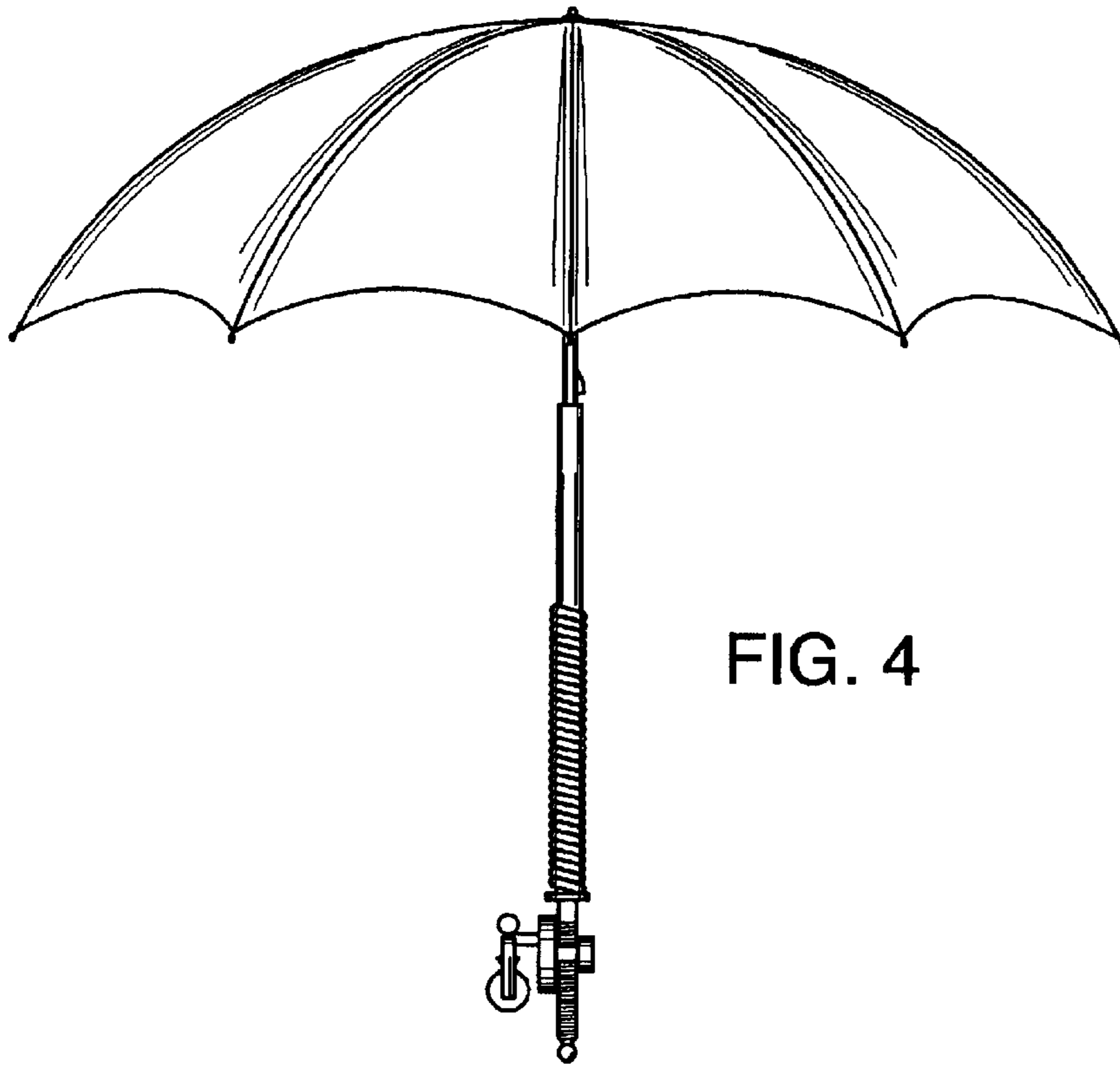


FIG. 3



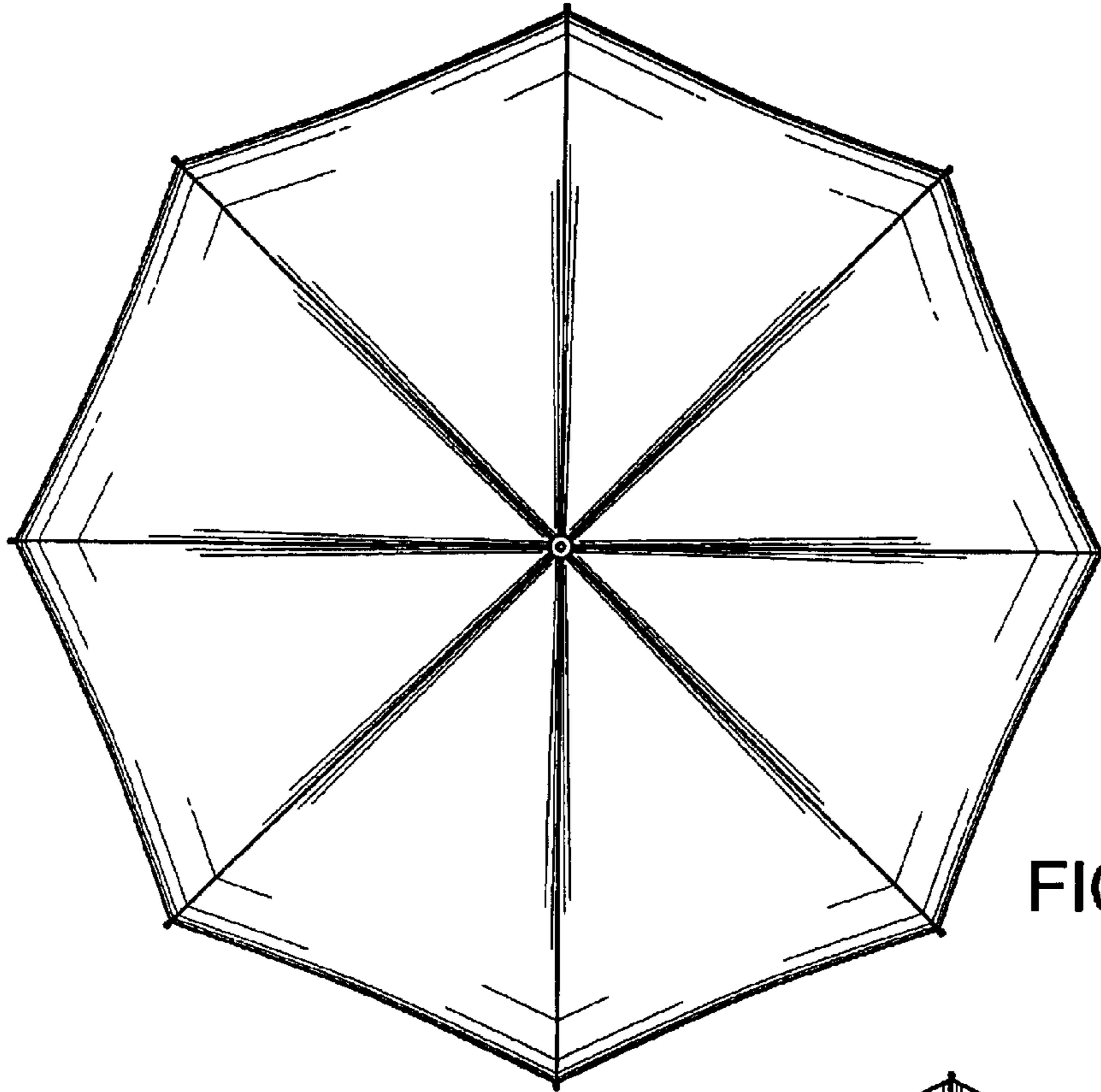


FIG. 6

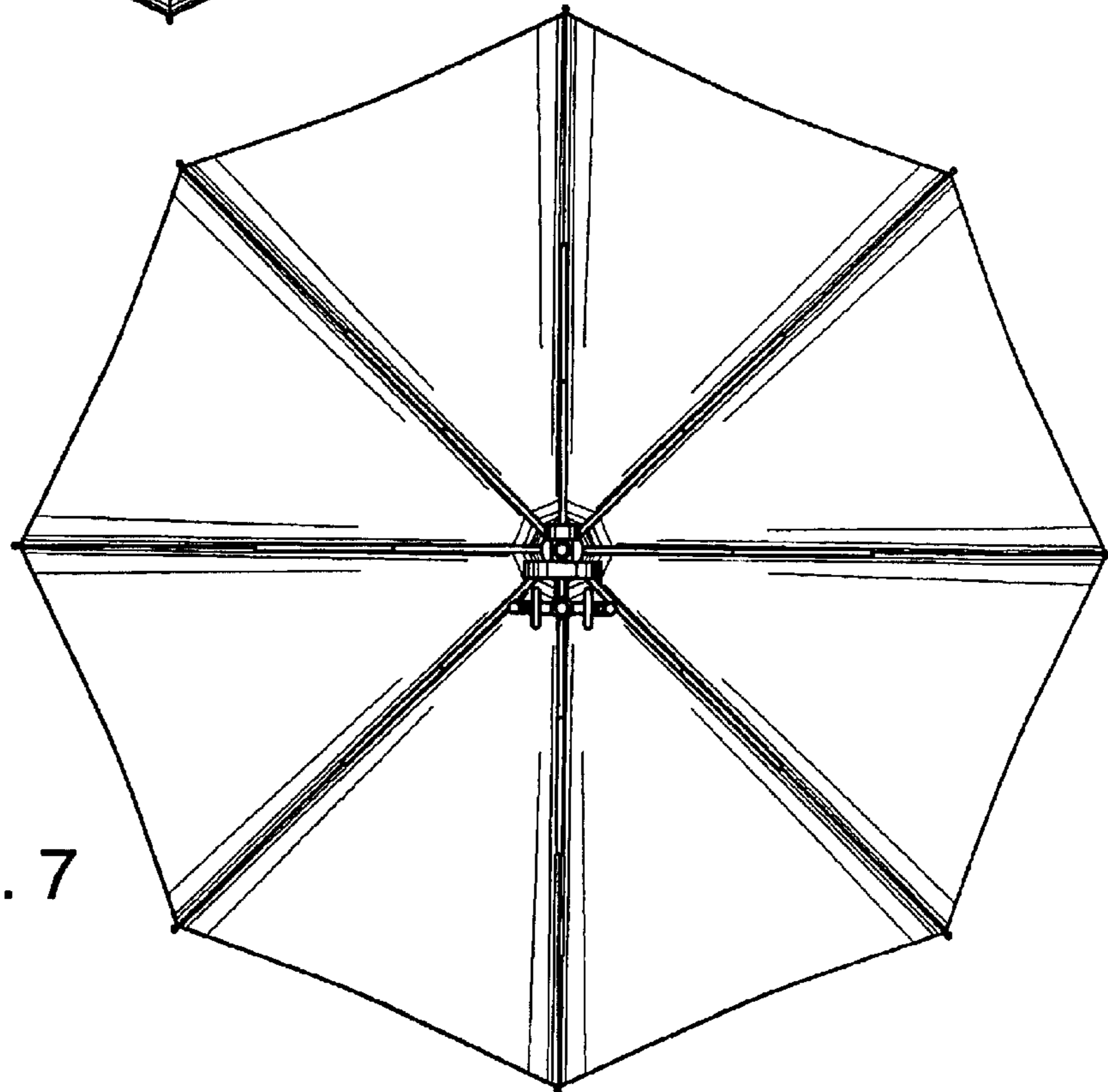


FIG. 7