

US00D496765S1

(12) **United States Design Patent**  
**Blikian**

(10) **Patent No.:** **US D496,765 S**

(45) **Date of Patent:** **\*\* Sep. 28, 2004**

(54) **PORTABLE WRINGER**

(76) **Inventor:** **Garabet Blikian**, 1731 Allen Ave.,  
Glendale, CA (US) 91201

(\*\*) **Term:** **14 Years**

(21) **Appl. No.:** **29/185,717**

(22) **Filed:** **Jul. 3, 2003**

(51) **LOC (7) Cl.** ..... **15-05**

(52) **U.S. Cl.** ..... **D32/27**

(58) **Field of Search** ..... D32/1, 5-8, 13,  
D32/25, 27; 34/399; 68/3 R, 22 R, 22 A,  
154, 156, 126, 212, 244, 245, 248, 152,  
272, 274, 276, 238, 239

(56) **References Cited**

**U.S. PATENT DOCUMENTS**

21,450 A	9/1858	Shaefer
362,359 A	5/1887	Collins
822,733 A	6/1906	Girard
831,734 A	9/1906	McCarthy
838,166 A	12/1906	Burrows
1,189,012 A	6/1916	Steel

1,943,503 A	1/1934	Adams
1,972,778 A	9/1934	Kennett
2,007,522 A	7/1935	Dilger
2,144,793 A	1/1939	Christensen
2,216,399 A	10/1940	Kauffman
2,514,321 A	7/1950	Fekete
3,142,068 A	7/1964	Leventhal
3,914,988 A	10/1975	Avoy
4,133,056 A	1/1979	Crump, Jr.
D301,073 S	5/1989	Haack
4,889,049 A	* 12/1989	Foster et al. .... 68/126

\* cited by examiner

*Primary Examiner*—Robert A. Delehanty  
(74) *Attorney, Agent, or Firm*—Richmond L. Mikesell

(57) **CLAIM**

The design for a portable wringer, as shown and described.

**DESCRIPTION**

FIG. 1 is a Left rear perspective view of the design of the instant invention; and,  
FIG. 2 is a Right front perspective view.

**1 Claim, 1 Drawing Sheet**

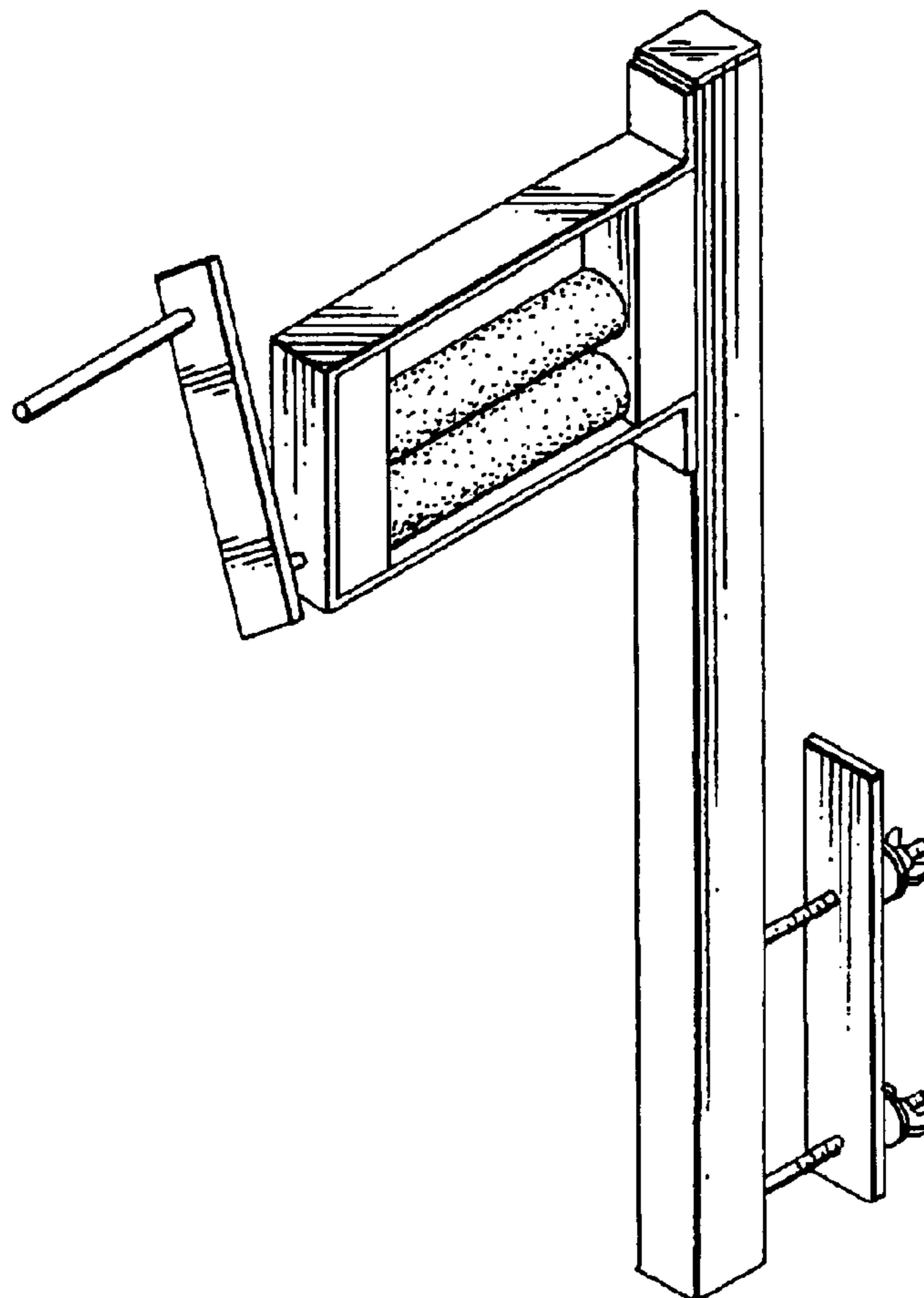


FIG. 1

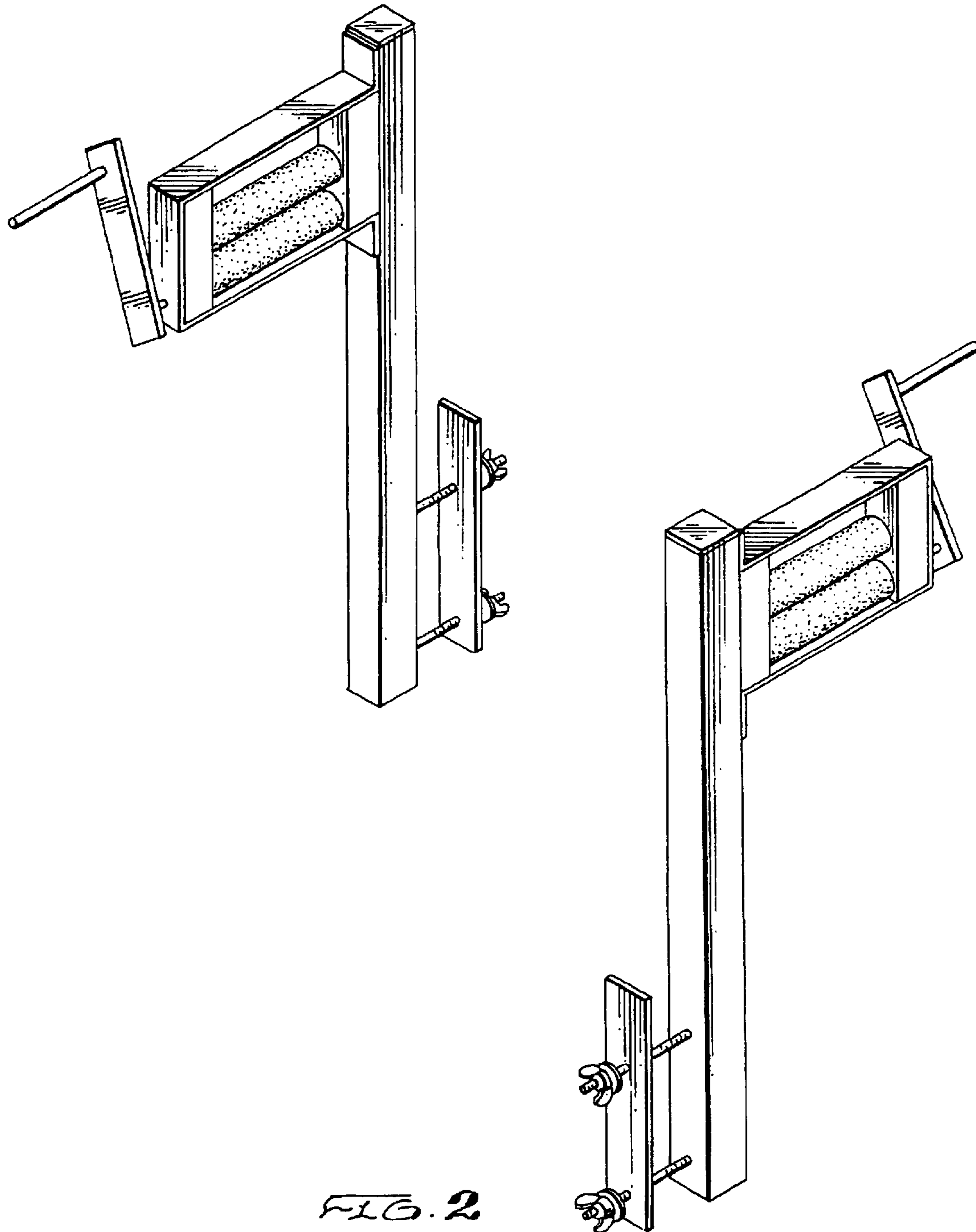


FIG. 2