

US00D496764S1

(12) **United States Design Patent**  
**Lopano**

(10) **Patent No.:** **US D496,764 S**

(45) **Date of Patent:** **\*\* Sep. 28, 2004**

(54) **VACUUM CLEANER**

(75) **Inventor:** **Daniel N. Lopano**, Towson, MD (US)

(73) **Assignee:** **Black & Decker Inc.**, Newark, DE (US)

(\*\*) **Term:** **14 Years**

(21) **Appl. No.:** **29/183,491**

(22) **Filed:** **Jun. 12, 2003**

(51) **LOC (7) Cl.** ..... **15-05**

(52) **U.S. Cl.** ..... **D32/21**

(58) **Field of Search** ..... D32/21-24, 31-33;  
D23/213, 223, 225; 15/350, 352-355, 321-322,  
346-347, 412, 400, 327.1-327.7, 410, 414,  
373, 381, 383, 415.1-422.1, 366

(56) **References Cited**

**U.S. PATENT DOCUMENTS**

D325,453 S \* 4/1992 Tsuge ..... D32/21  
D340,556 S \* 10/1993 Berfield et al. .... D32/1  
D341,009 S \* 11/1993 Berfield et al. .... D32/1  
D352,146 S \* 11/1994 Wulff ..... D32/24

D383,573 S \* 9/1997 Saunders ..... D32/21  
D386,842 S \* 11/1997 Hoshino et al. .... D32/21  
5,784,753 A \* 7/1998 Kaczmarz et al. .... 15/319  
D418,643 S \* 1/2000 Hoshino ..... D32/21  
D467,693 S \* 12/2002 Kitts ..... D32/21  
D467,694 S \* 12/2002 Kitts ..... D32/21

\* cited by examiner

*Primary Examiner*—Ruth McInroy

(74) *Attorney, Agent, or Firm*—Adan Ayala

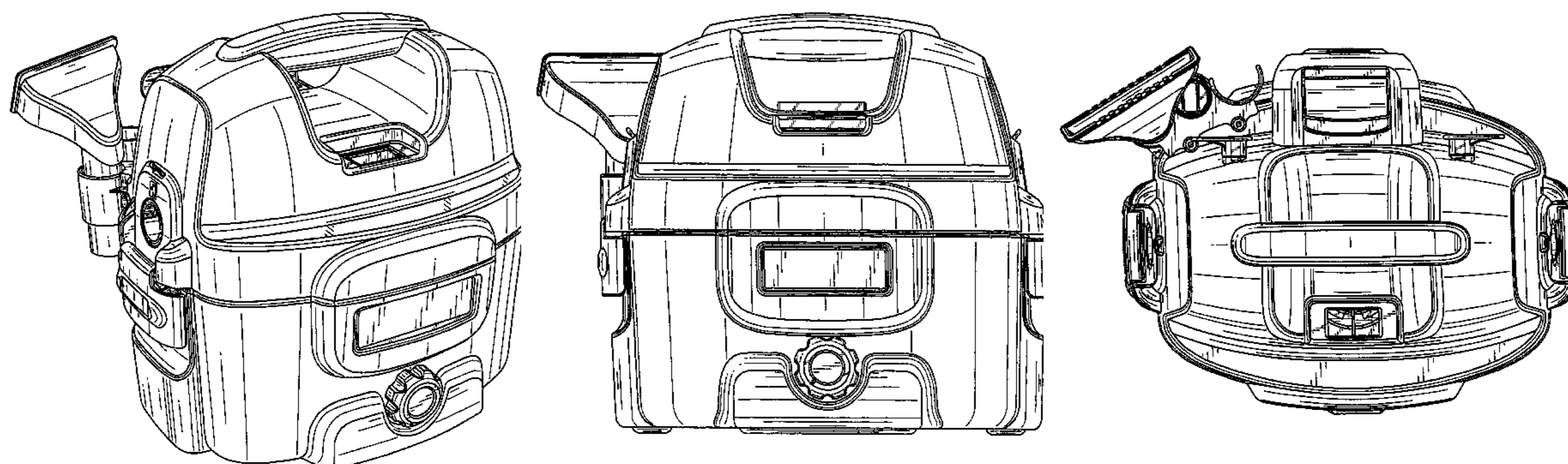
(57) **CLAIM**

The ornamental design for a vacuum cleaner, as shown and described.

**DESCRIPTION**

FIG. 1 is a front perspective view of a vacuum cleaner showing our new design;  
FIG. 2 is a front elevational view thereof;  
FIG. 3 is a rear elevational view thereof;  
FIG. 4 is a left side elevational view thereof;  
FIG. 5 is a right side elevational view thereof;  
FIG. 6 is a top plan view thereof; and,  
FIG. 7 is a bottom plan view thereof.

**1 Claim, 7 Drawing Sheets**



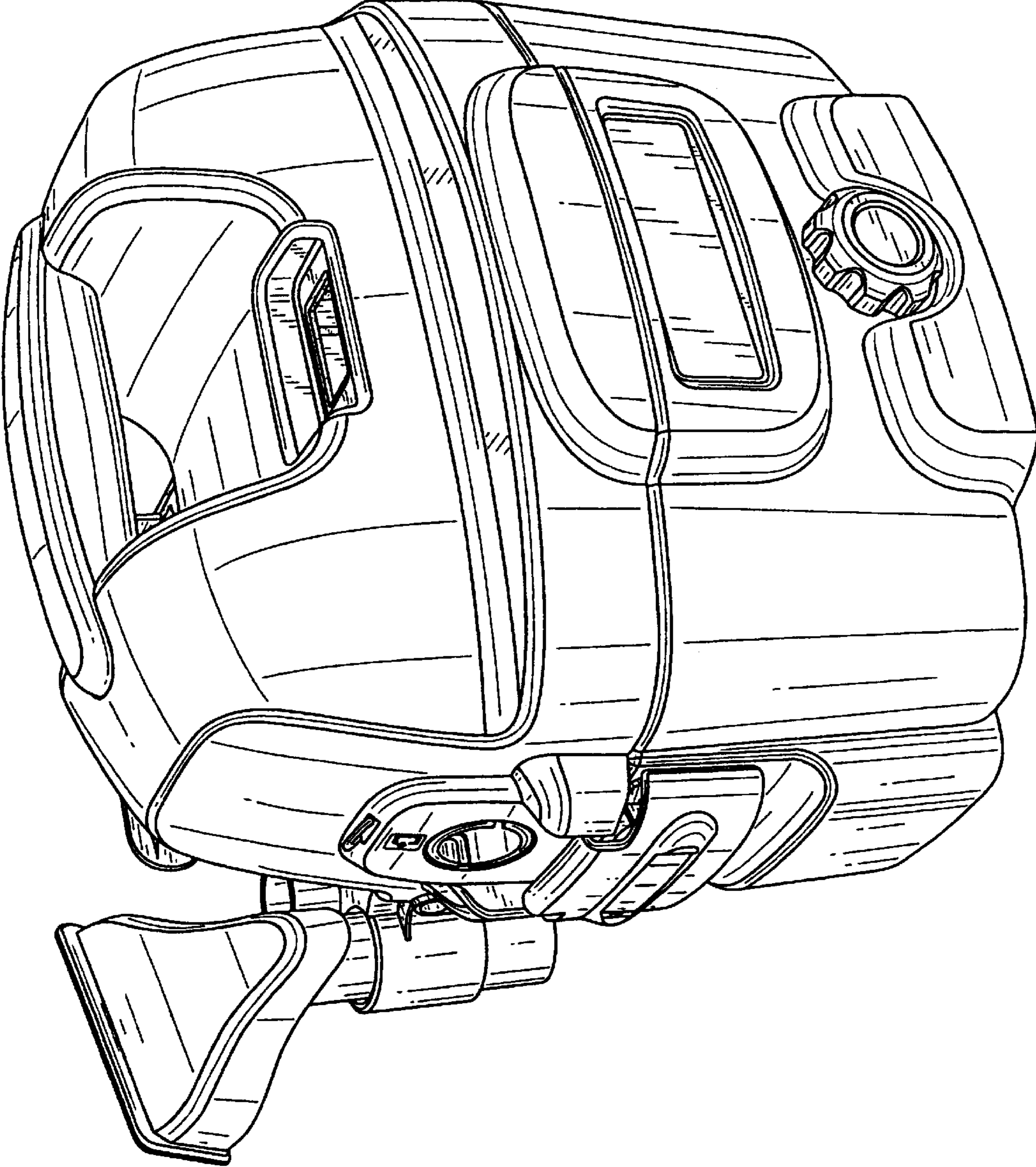


FIG. 1

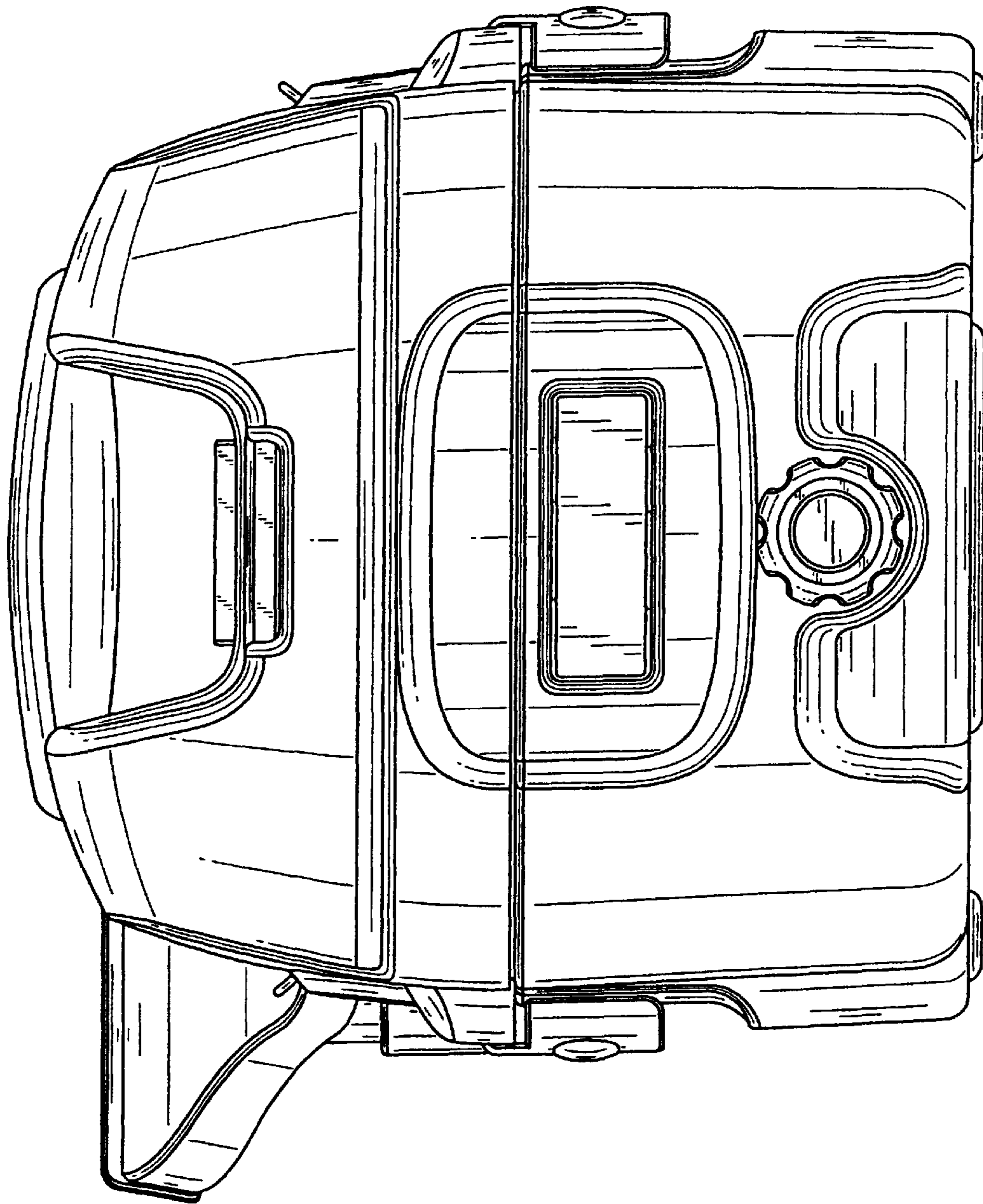


FIG. 2

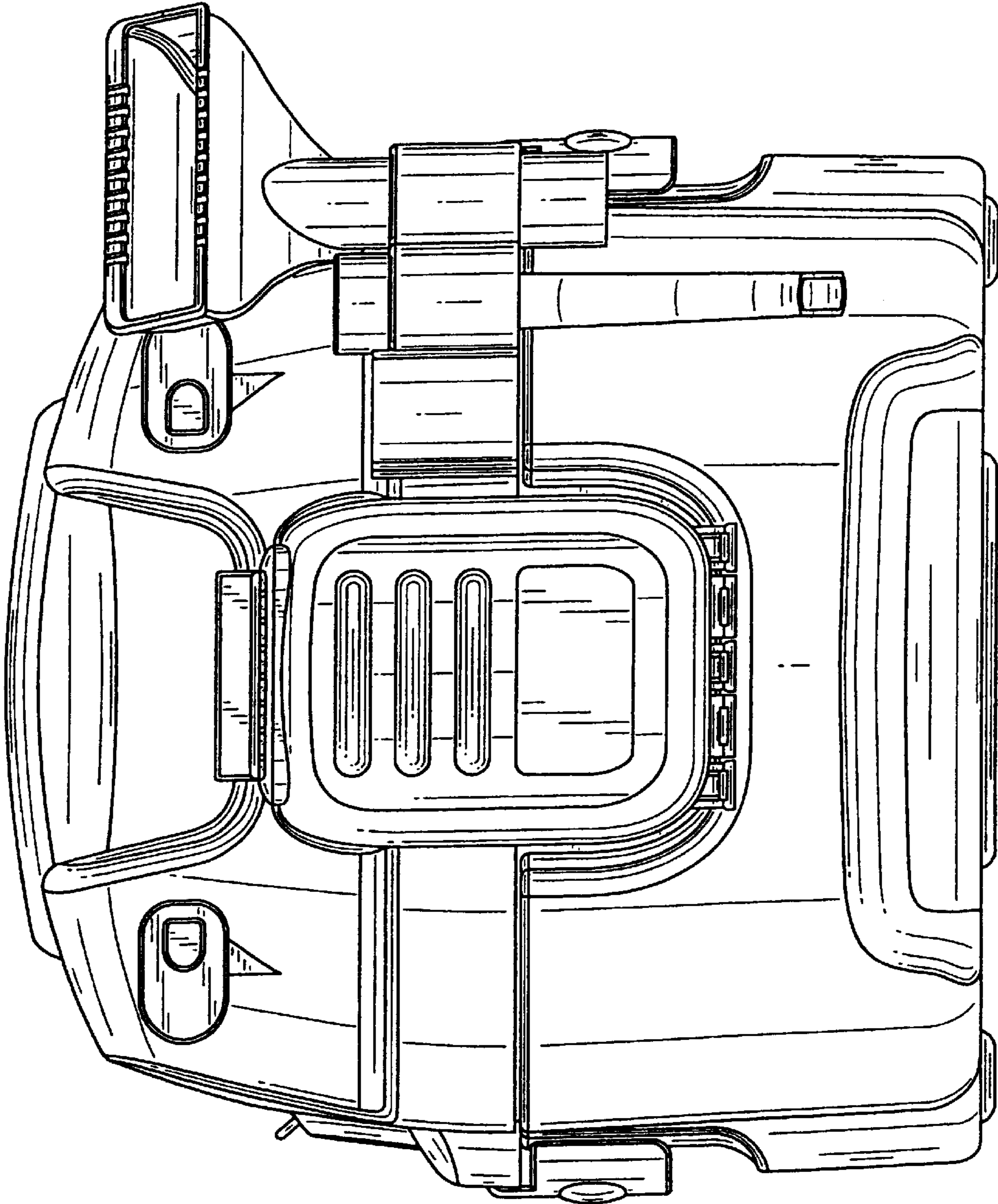


FIG. 3

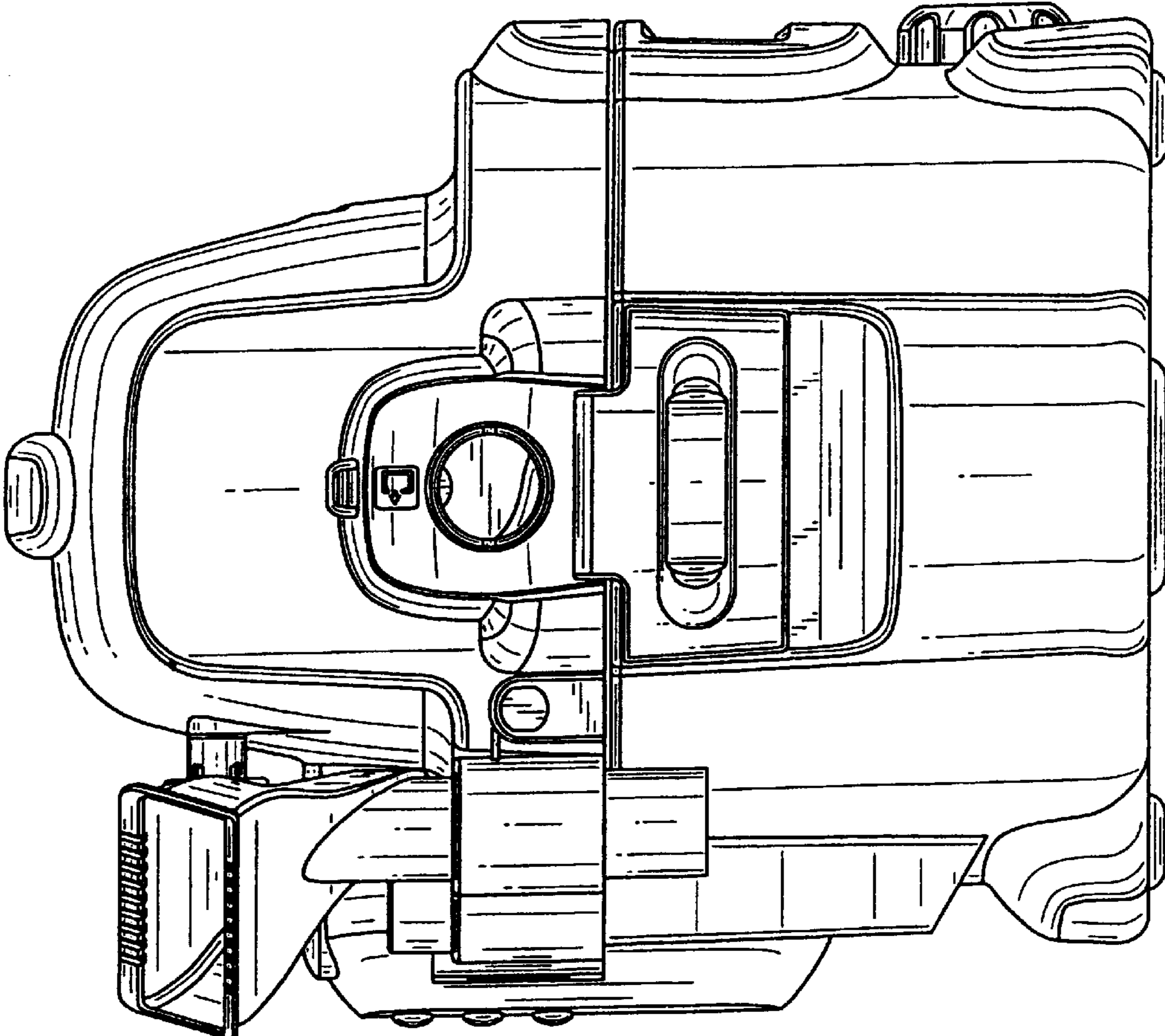


FIG. 4

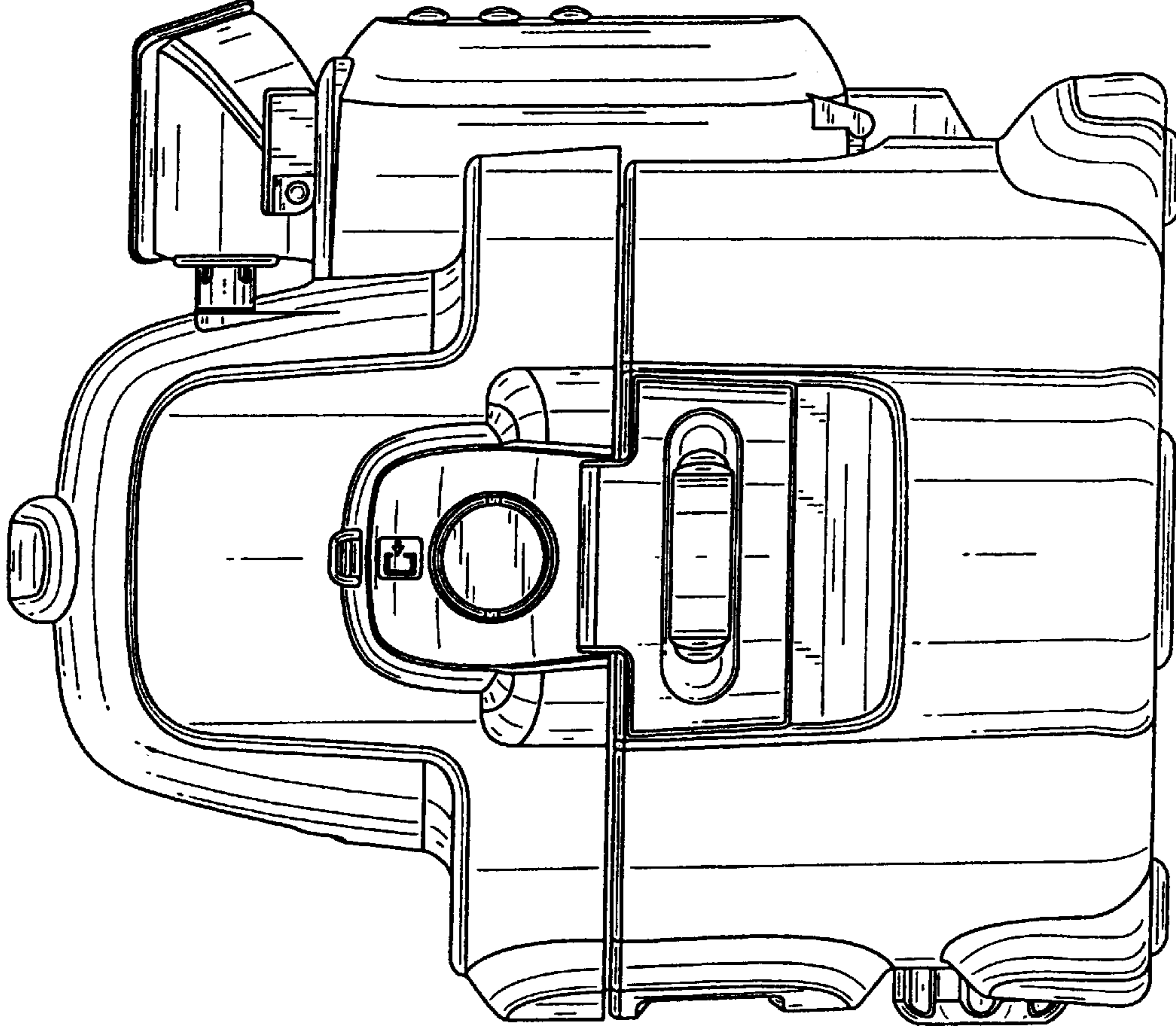


FIG. 5

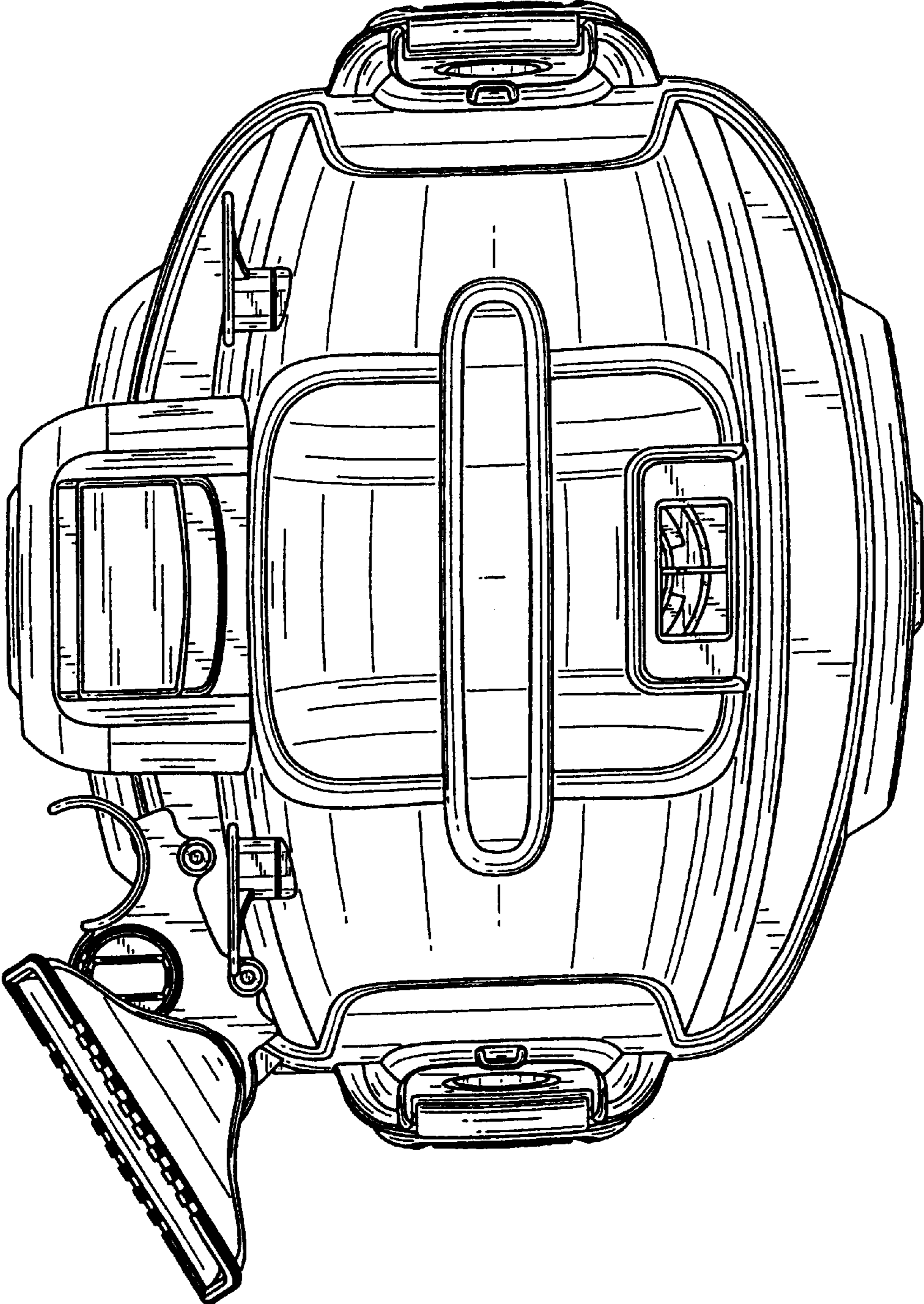


FIG. 6

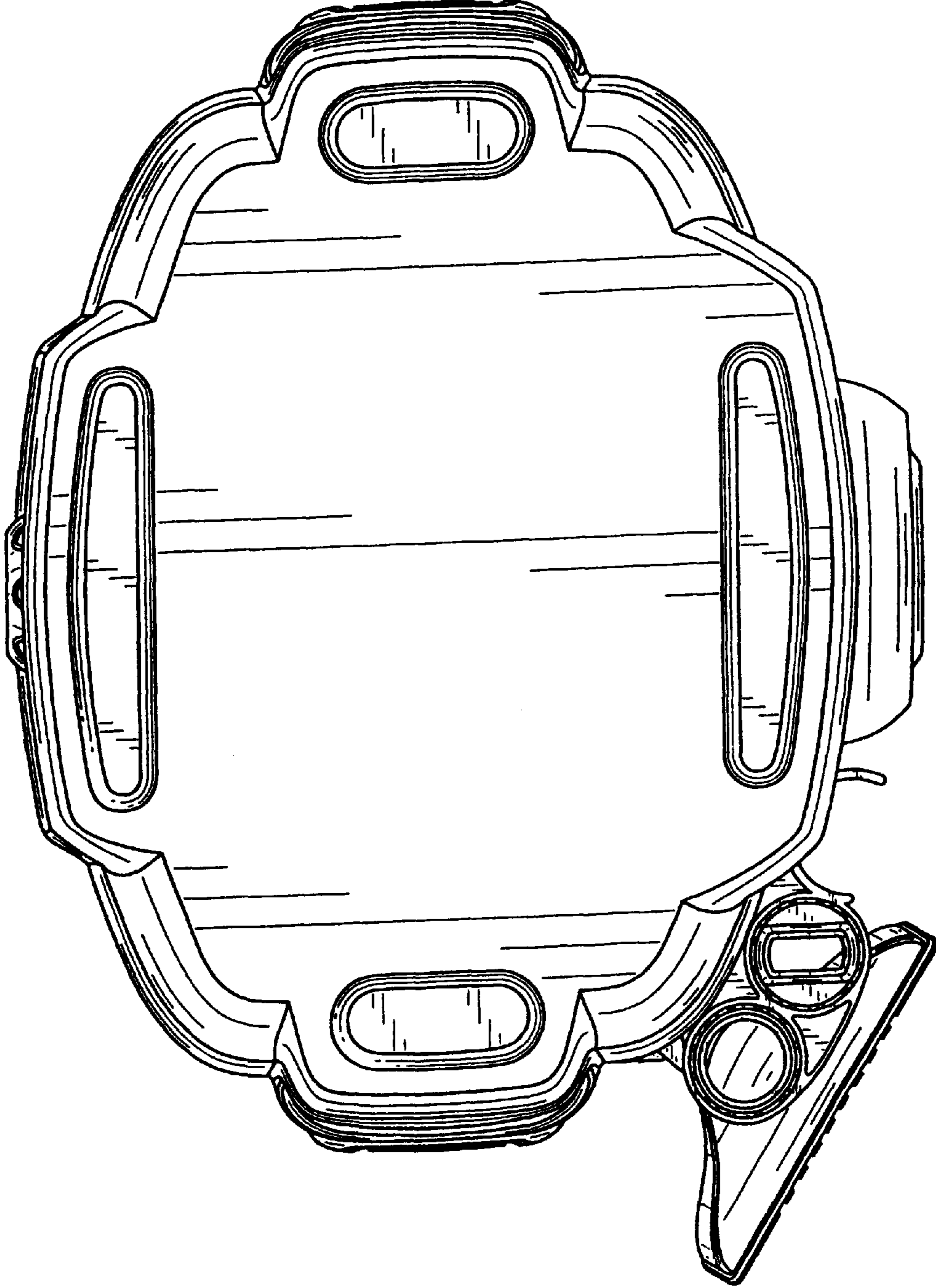


FIG. 7