

US00D496761S1

(12) **United States Design Patent**
Rodriguez

(10) **Patent No.:** **US D496,761 S**

(45) **Date of Patent:** **** Sep. 28, 2004**

(54) **COSMETIC CASE**

(75) **Inventor:** **Jack Rodriguez**, Bernardsville, NJ
(US)

(73) **Assignee:** **ACE Plastics Company Ltd.**, New
Territories (HK)

(**) **Term:** **14 Years**

(21) **Appl. No.:** **29/195,747**

(22) **Filed:** **Dec. 17, 2003**

(51) **LOC (7) Cl.** **28-03**

(52) **U.S. Cl.** **D28/83**

(58) **Field of Search** D28/73, 76-84;
132/293-307, 314-318; 206/581, 823

(56) **References Cited**

U.S. PATENT DOCUMENTS

D280,678 S * 9/1985 Loscalzo et al. D28/83
D322,865 S * 12/1991 Favre D28/83

D433,773 S * 11/2000 Gavin D28/83
D473,681 S * 4/2003 Thorpe D28/83

* cited by examiner

Primary Examiner—Jennifer Rivard

(74) *Attorney, Agent, or Firm*—Klauber & Jackson

(57) **CLAIM**

The ornamental design for cosmetic case, as shown.

DESCRIPTION

FIG. 1 is a perspective view of the cosmetic case;
FIG. 2 is a side elevational view of the cosmetic case; and
FIG. 3 is a front elevational view of the cosmetic case;
FIG. 4 is a rear elevational view of the cosmetic case;
FIG. 5 is a top plan view of the cosmetic case;
FIG. 6 is a bottom plan view of the cosmetic case;
FIG. 7 is a perspective view showing the cosmetic case in an
open position; and,
FIG. 8 is a side view of the open cosmetic case in FIG. 7.

1 Claim, 3 Drawing Sheets

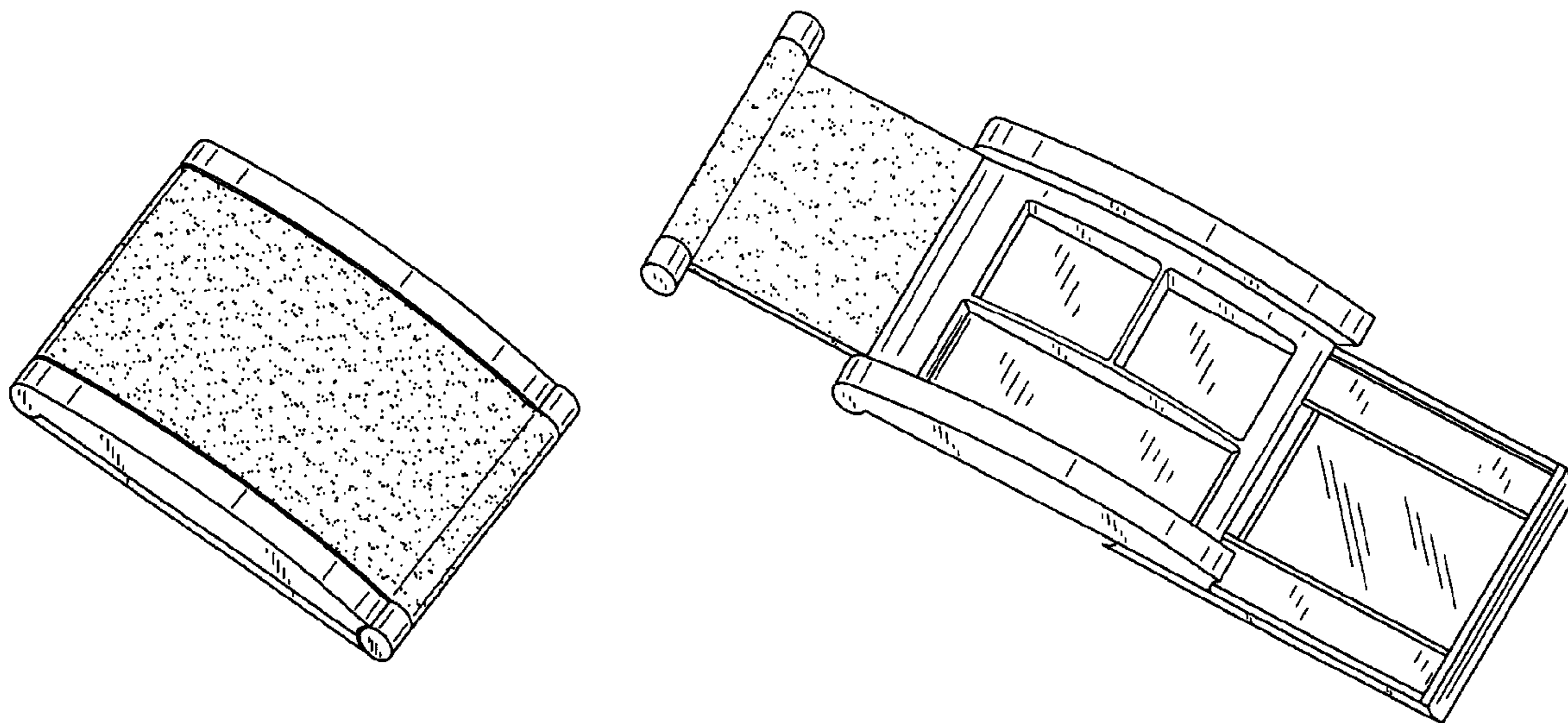


FIG. 1

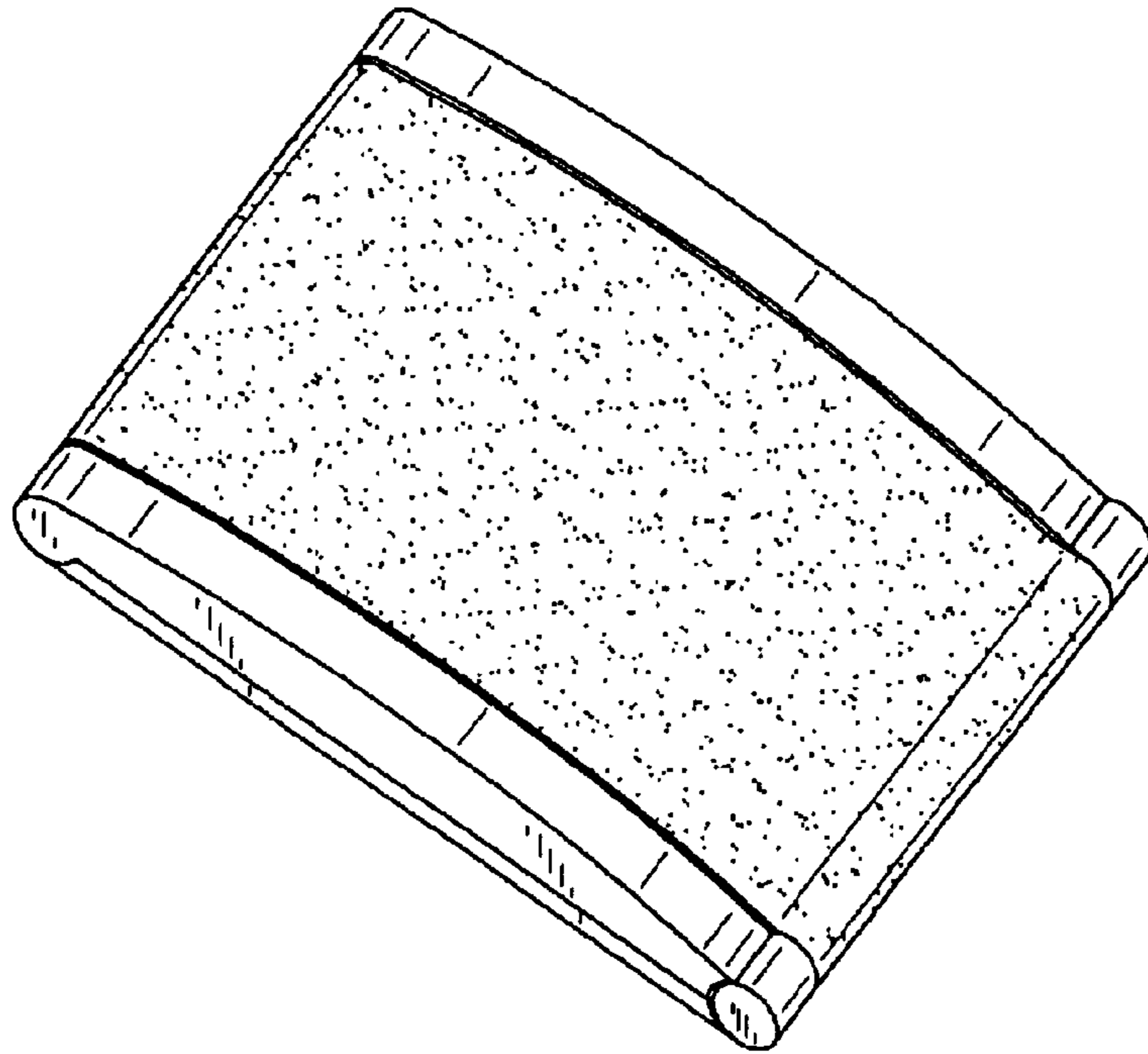


FIG. 2

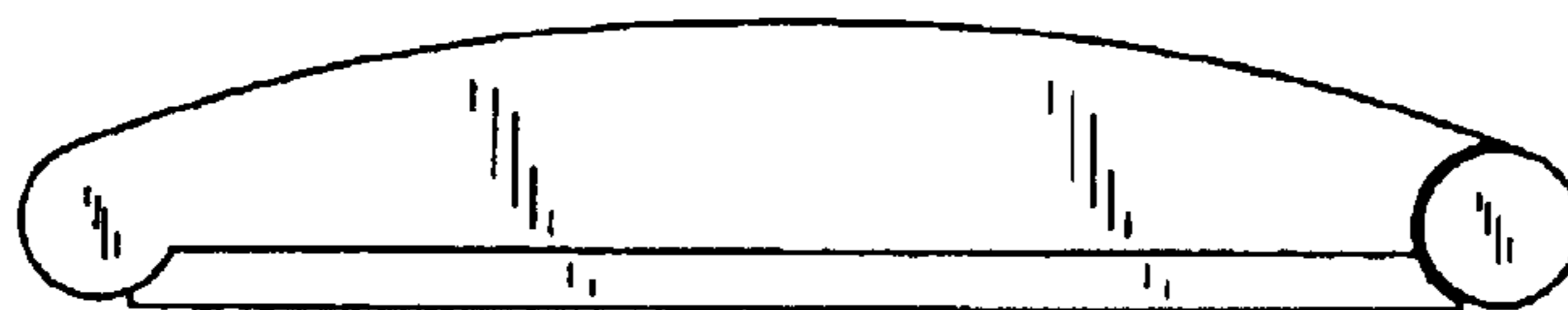


FIG. 3



FIG. 4

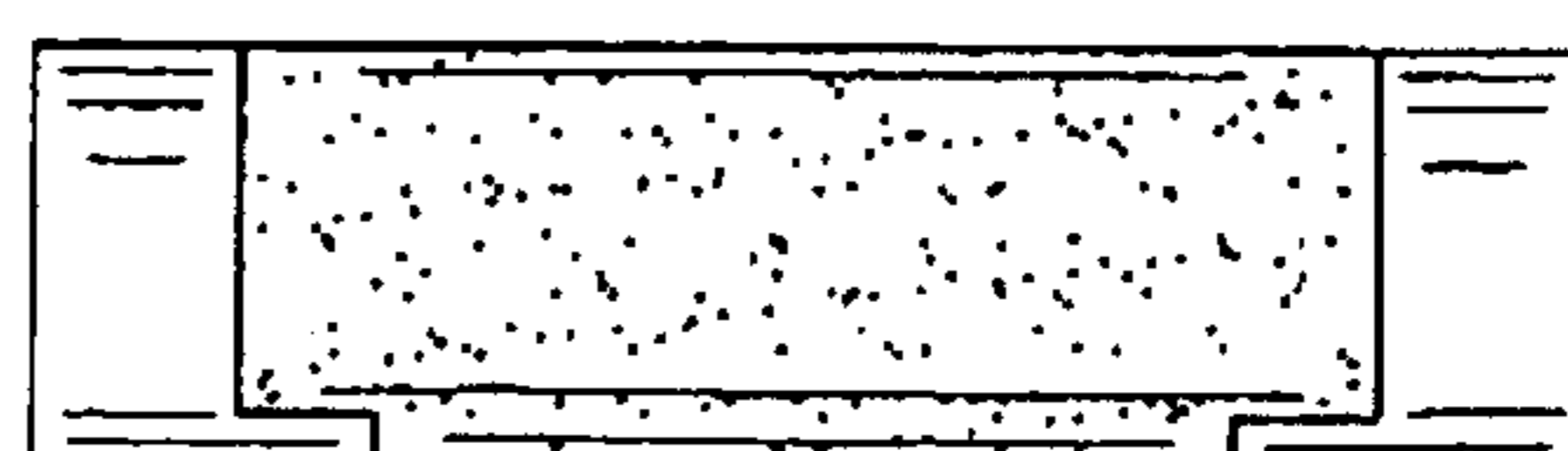


FIG. 5

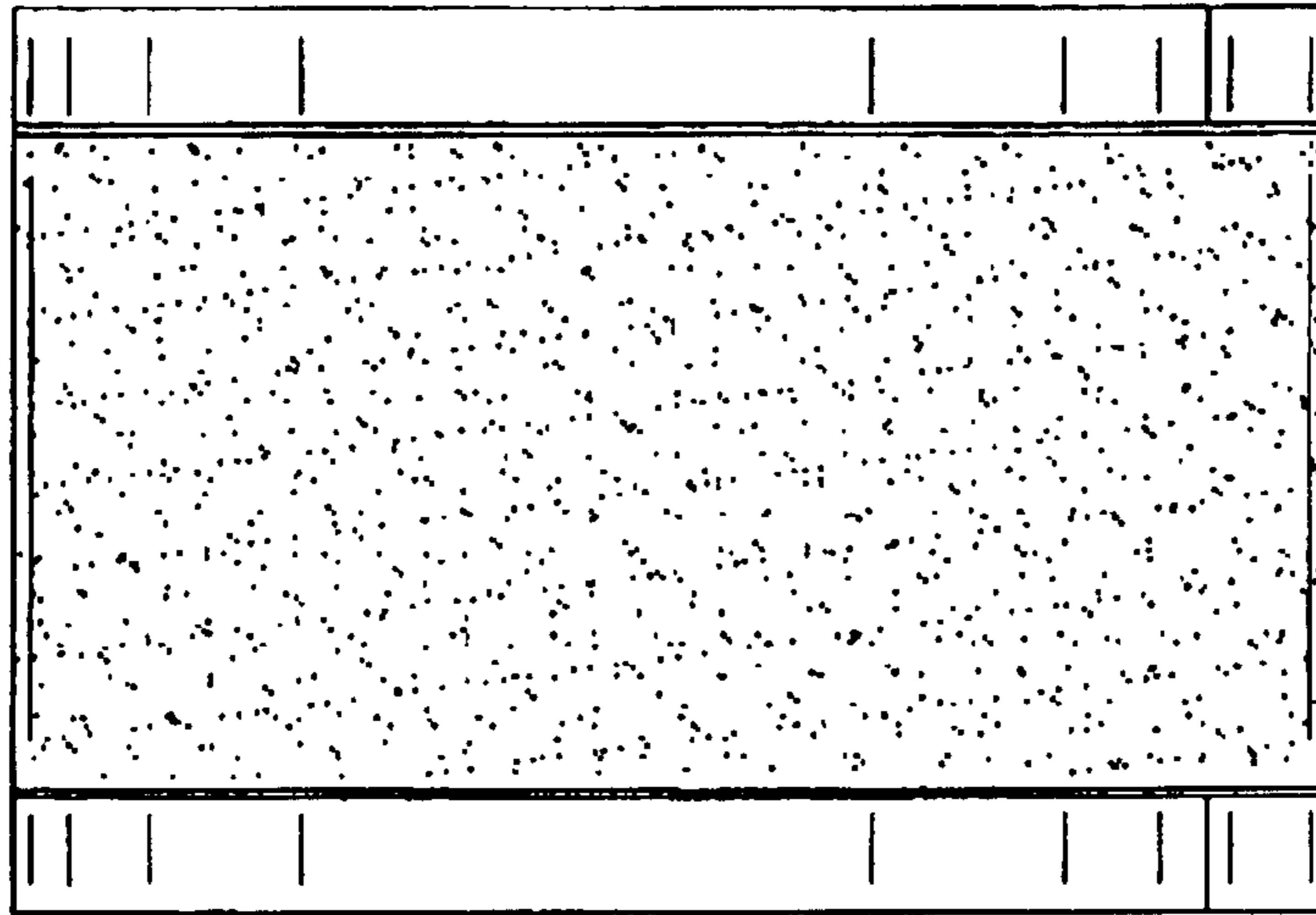


FIG. 6

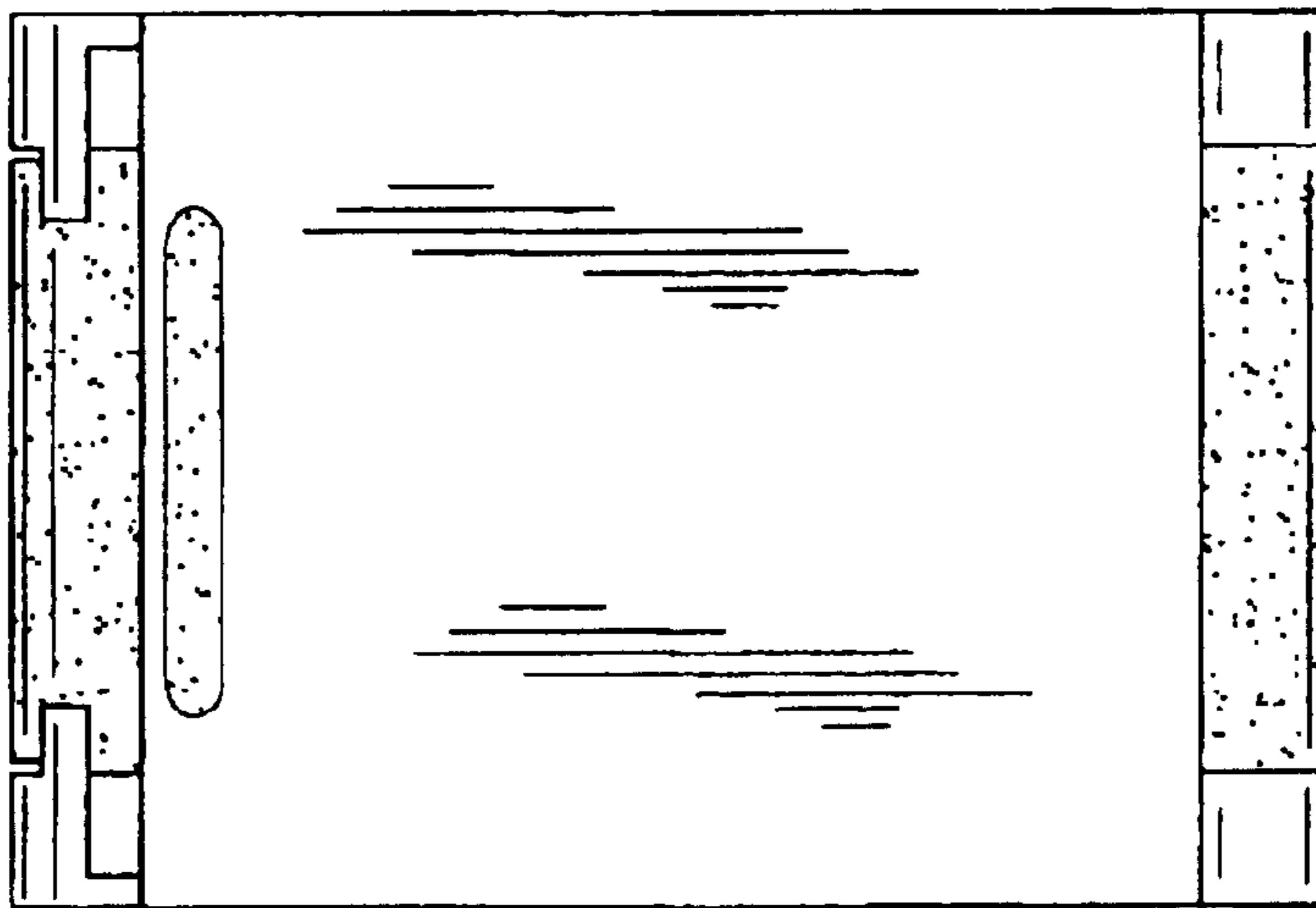


FIG. 7

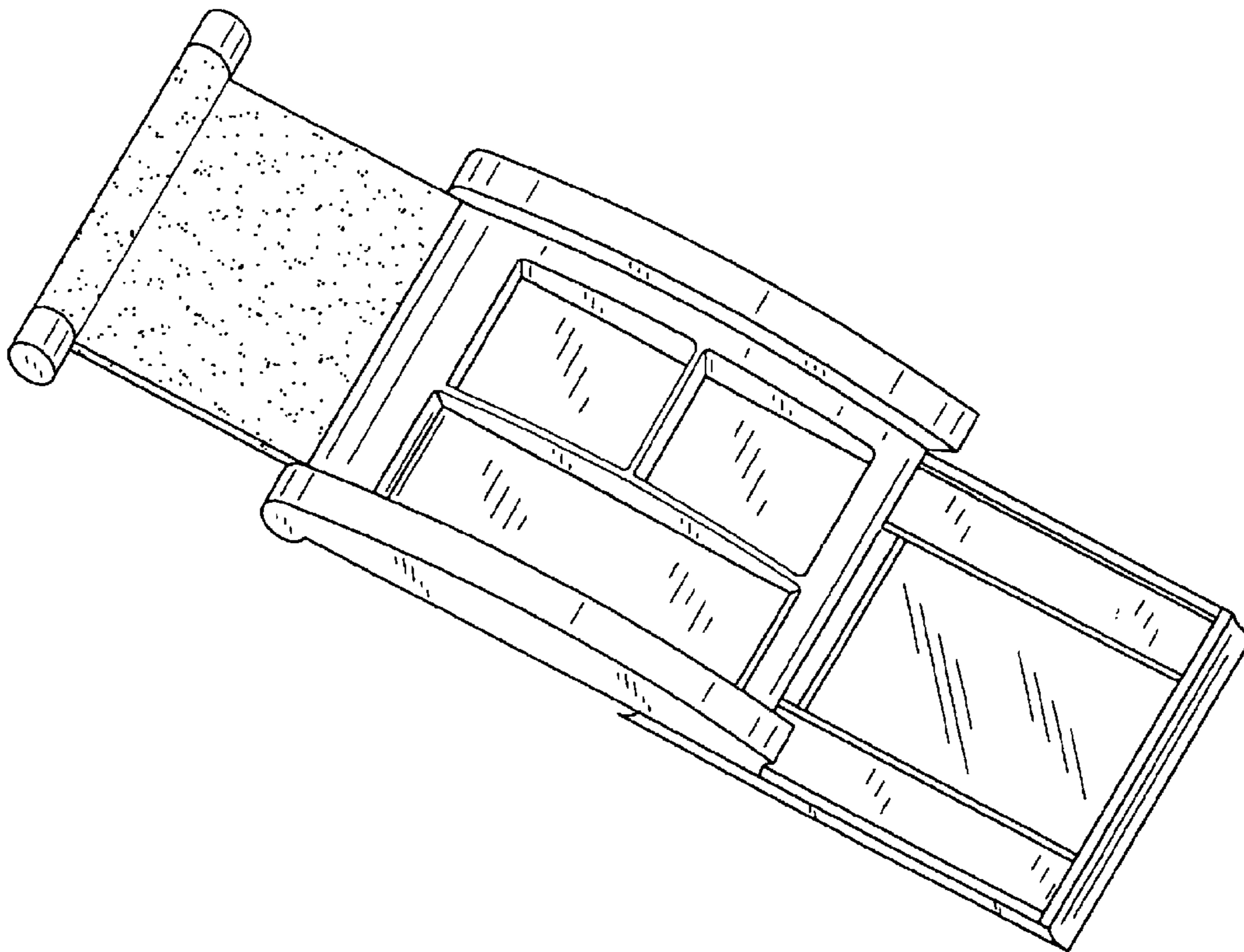


FIG. 8

