

US00D496760S1

(12) **United States Design Patent**
Restrepo

(10) **Patent No.:** **US D496,760 S**
(45) **Date of Patent:** **** Sep. 28, 2004**

(54) **MAKE-UP COMPACT**

(75) Inventor: **Federico Restrepo, Paris (FR)**

(73) Assignee: **Qualipac (FR)**

(**) Term: **14 Years**

(21) Appl. No.: **29/164,903**

(22) Filed: **Jul. 31, 2002**

Related U.S. Application Data

(62) Division of application No. 29/152,617, filed on Dec. 21, 2001, which is a division of application No. 29/137,868, filed on Mar. 2, 2001, now Pat. No. Des. 456,954.

(30) **Foreign Application Priority Data**

Oct. 6, 2000 (FR) 00 5815

(51) **LOC (7) Cl.** **28-03**

(52) **U.S. Cl.** **D28/83; D28/78**

(58) **Field of Search** D28/76-81, 64.1, D28/64.3; D3/212, 273-275, 294, 295, 298; D9/414, 420, 422, 423, 432; D11/2, 80; 132/286-318; 206/235, 581, 823, 37, 38; 220/DIG. 26

(56) **References Cited**

U.S. PATENT DOCUMENTS

D108,590 S * 2/1938 Zell D28/83

D216,351 S * 12/1969 Mitchell D28/77
D261,234 S * 10/1981 Abraham D9/432
D293,837 S * 1/1988 Simonetti D28/83
D371,962 S * 7/1996 Petruzzi D9/423
6,041,935 A * 3/2000 Yang 206/581
D437,664 S * 2/2001 Thorpe et al. D28/77
D438,346 S * 2/2001 Thorpe et al. D28/77
6,302,120 B1 * 10/2001 Kuo 132/295

* cited by examiner

Primary Examiner—Ted Shooman

Assistant Examiner—C Tuttle

(74) *Attorney, Agent, or Firm*—Skinner and Associates

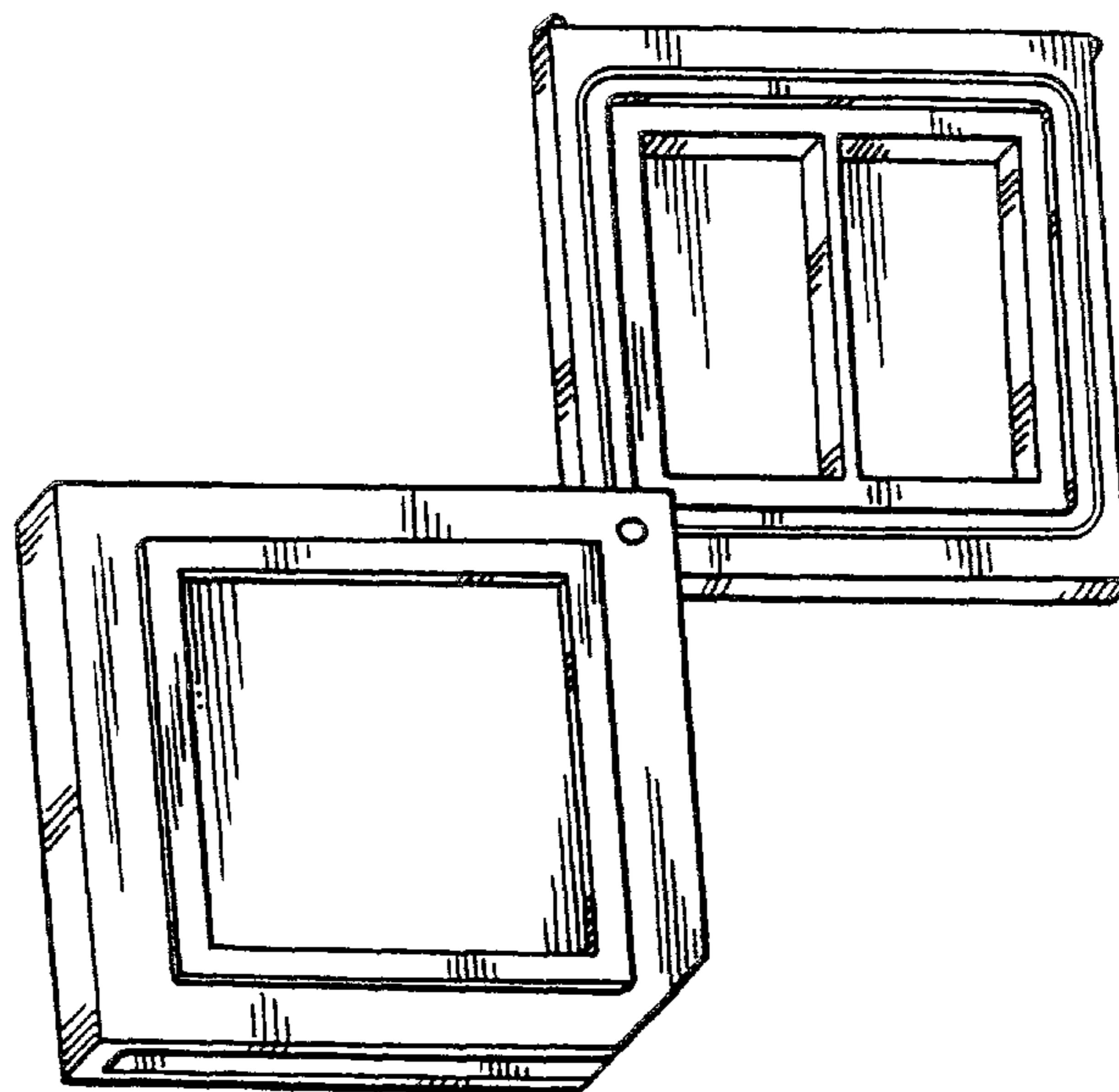
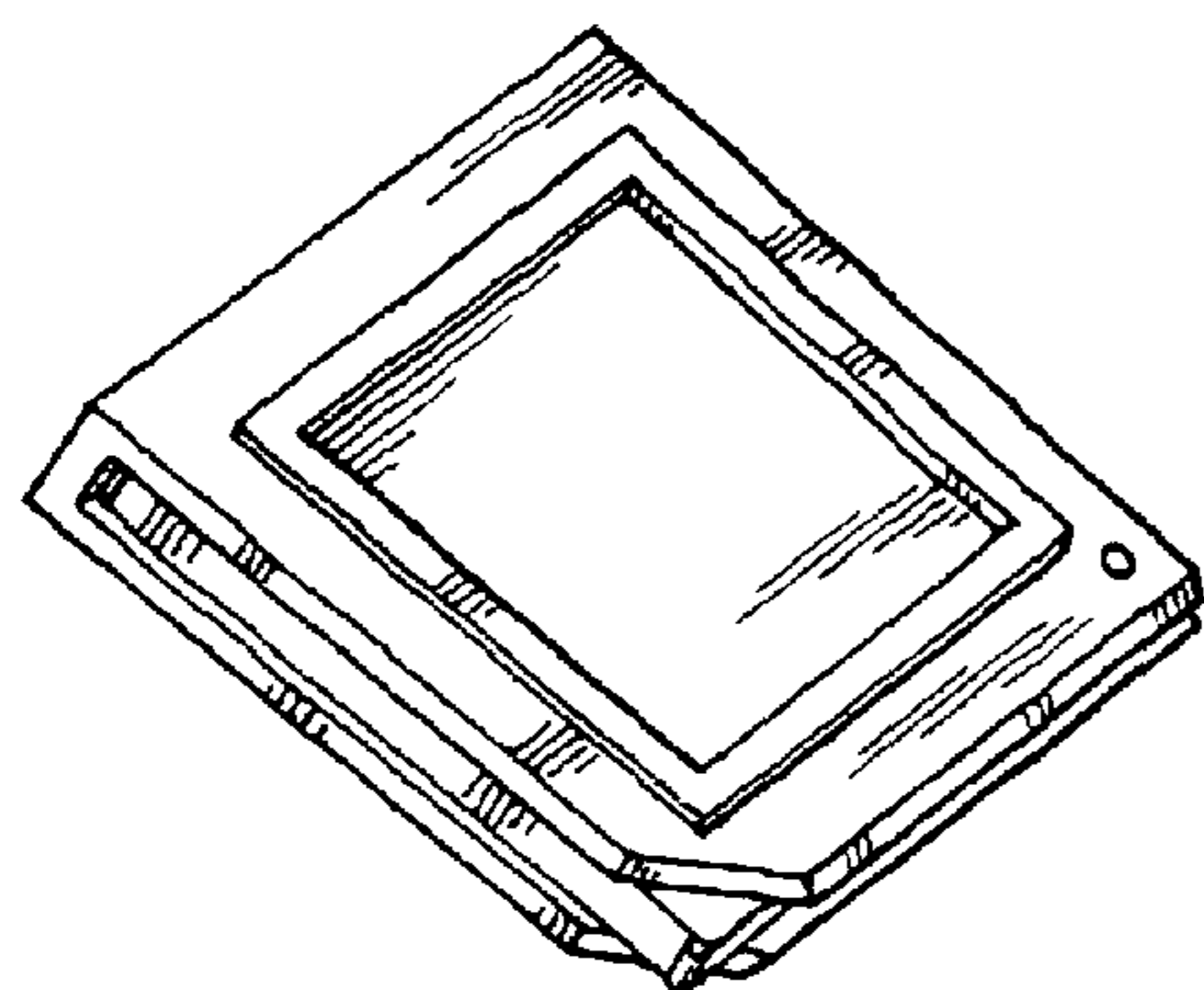
(57) **CLAIM**

The ornamental design for a make-up compact, as shown and described.

DESCRIPTION

FIG. 1 is a perspective view of the make-up compact showing the design of this invention; FIG. 2 is a front view thereof; FIG. 3 is a back view thereof; FIG. 4 is a left side view thereof; FIG. 5 is a right side view thereof; FIG. 6 is a top view thereof; FIG. 7 is a bottom view thereof; and, FIG. 8 is a top perspective view showing the design in an opened position.

1 Claim, 8 Drawing Sheets



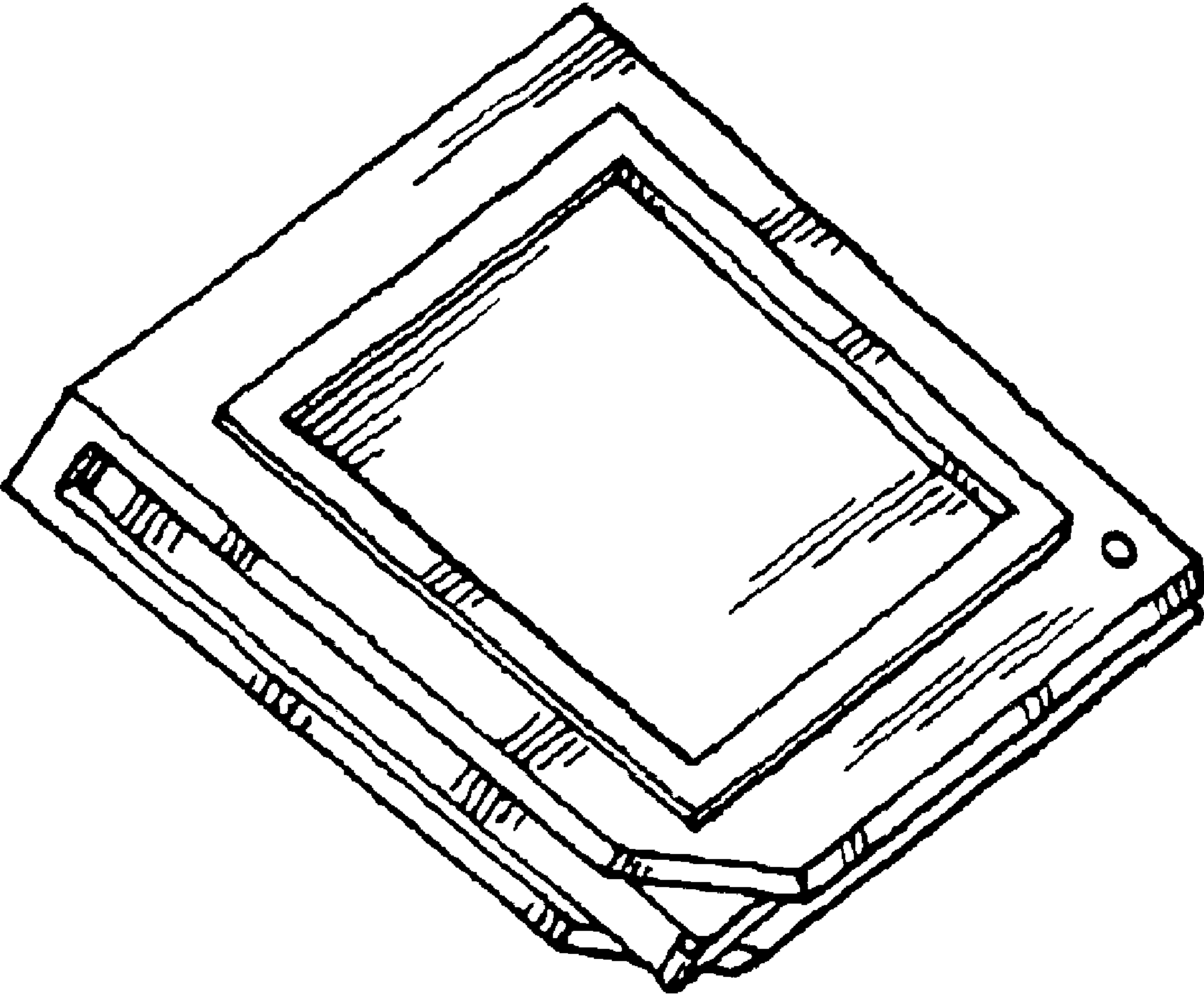


FIG. 1

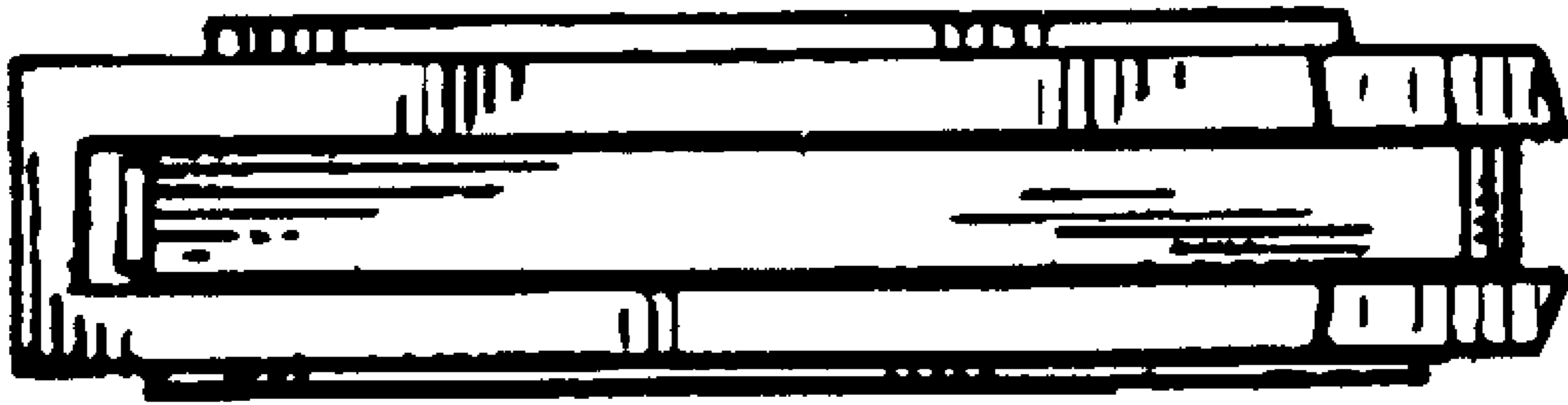


FIG. 2

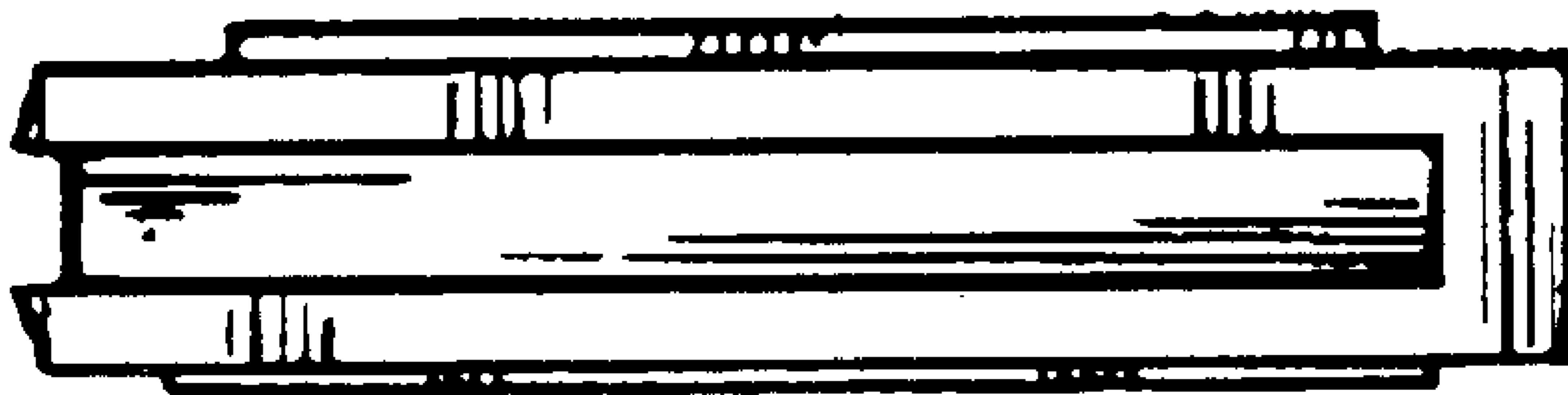


FIG. 3



FIG. 4

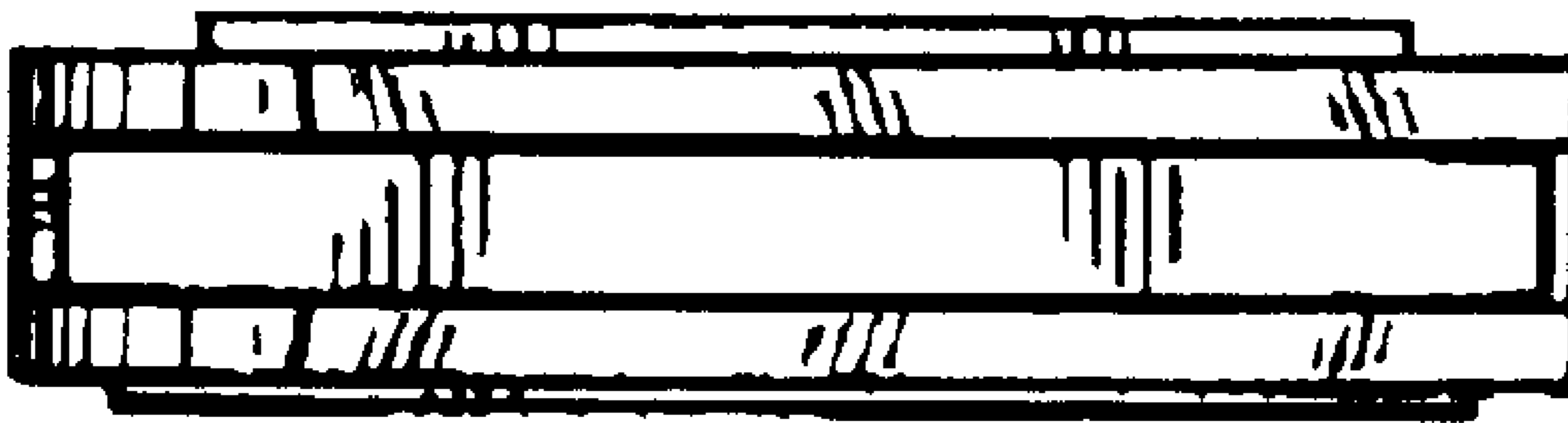


FIG. 5

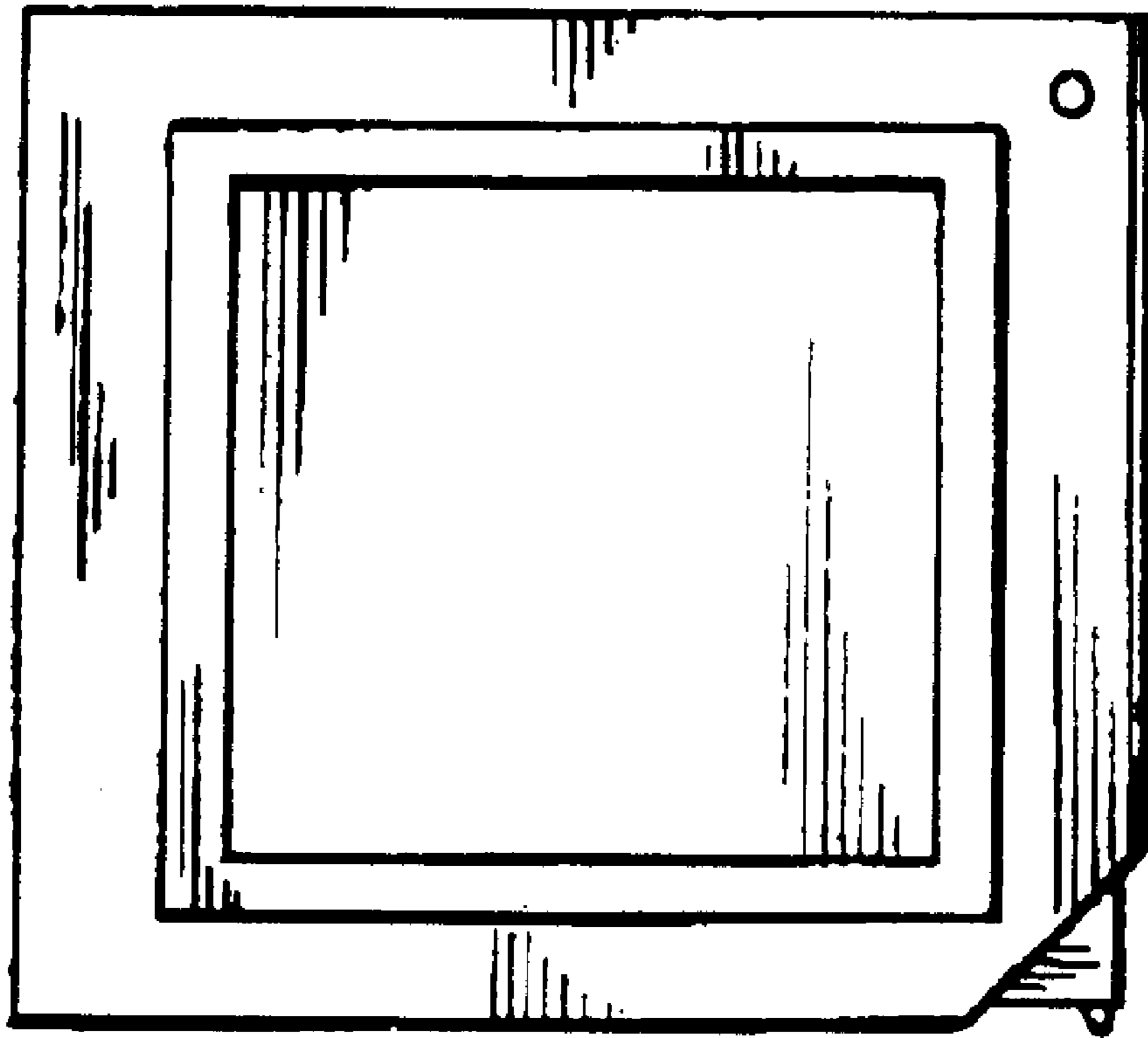


FIG. 6

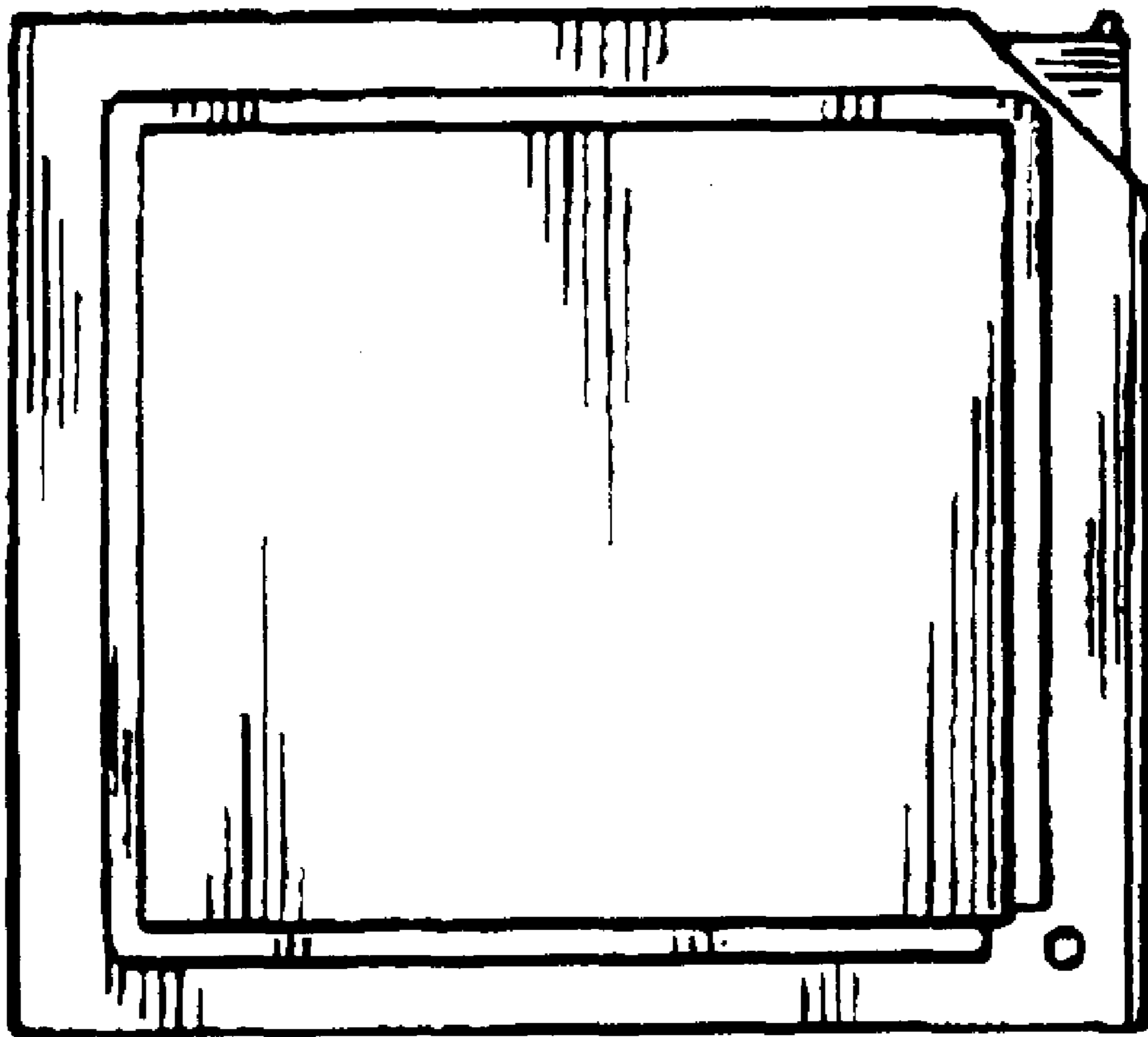


FIG. 7

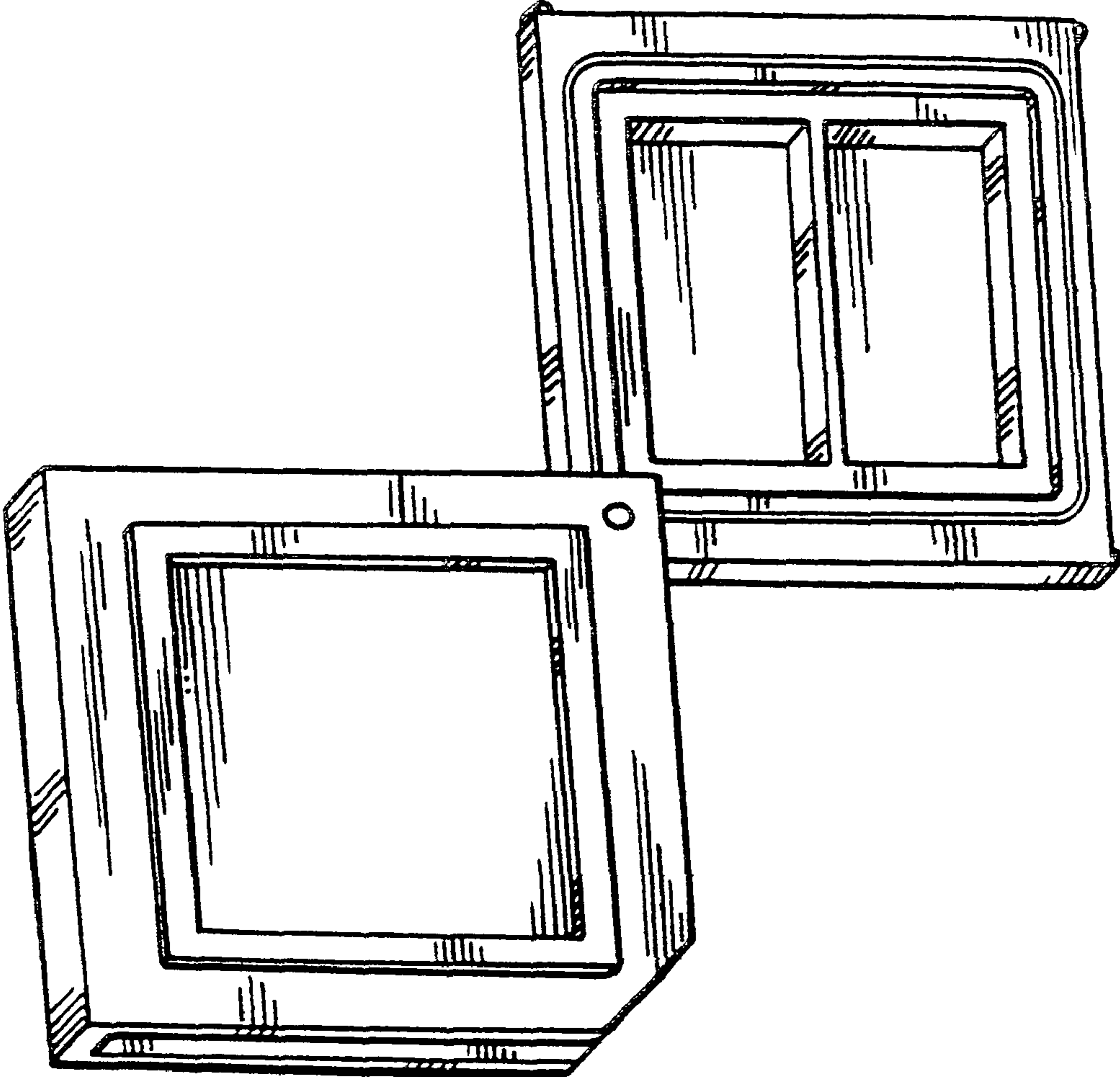


FIG. 8