

US00D496757S1

(12) **United States Design Patent**
Suelzle

(10) **Patent No.: US D496,757 S**

(45) **Date of Patent: ** Sep. 28, 2004**

(54) **DEVICE FOR HOLDING NAIL POLISH BOTTLE IN TILTED POSITION**

D441,140 S * 4/2001 Orth et al. D28/61
D441,914 S 5/2001 Armour
6,685,147 B1 * 2/2004 Ma 248/139

(76) Inventor: **Barbara J. T. Suelzle**, 4745 49th Street, Drayton Valley, Alberta (CA), T7A 1J2

* cited by examiner

Primary Examiner—Jennifer Rivard

(74) *Attorney, Agent, or Firm*—Donald R. Schoonover

(**) Term: **14 Years**

(57) **CLAIM**

(21) Appl. No.: **29/191,503**

I claim the ornamental design for a device for holding nail polish bottle in tilted position, as shown and described.

(22) Filed: **Oct. 9, 2003**

(51) **LOC (7) Cl. 28-03**

(52) **U.S. Cl. D28/61**

(58) **Field of Search** D28/56-62, 73; 132/73, 73.5, 74.5, 75; 248/139, 141, 142

DESCRIPTION

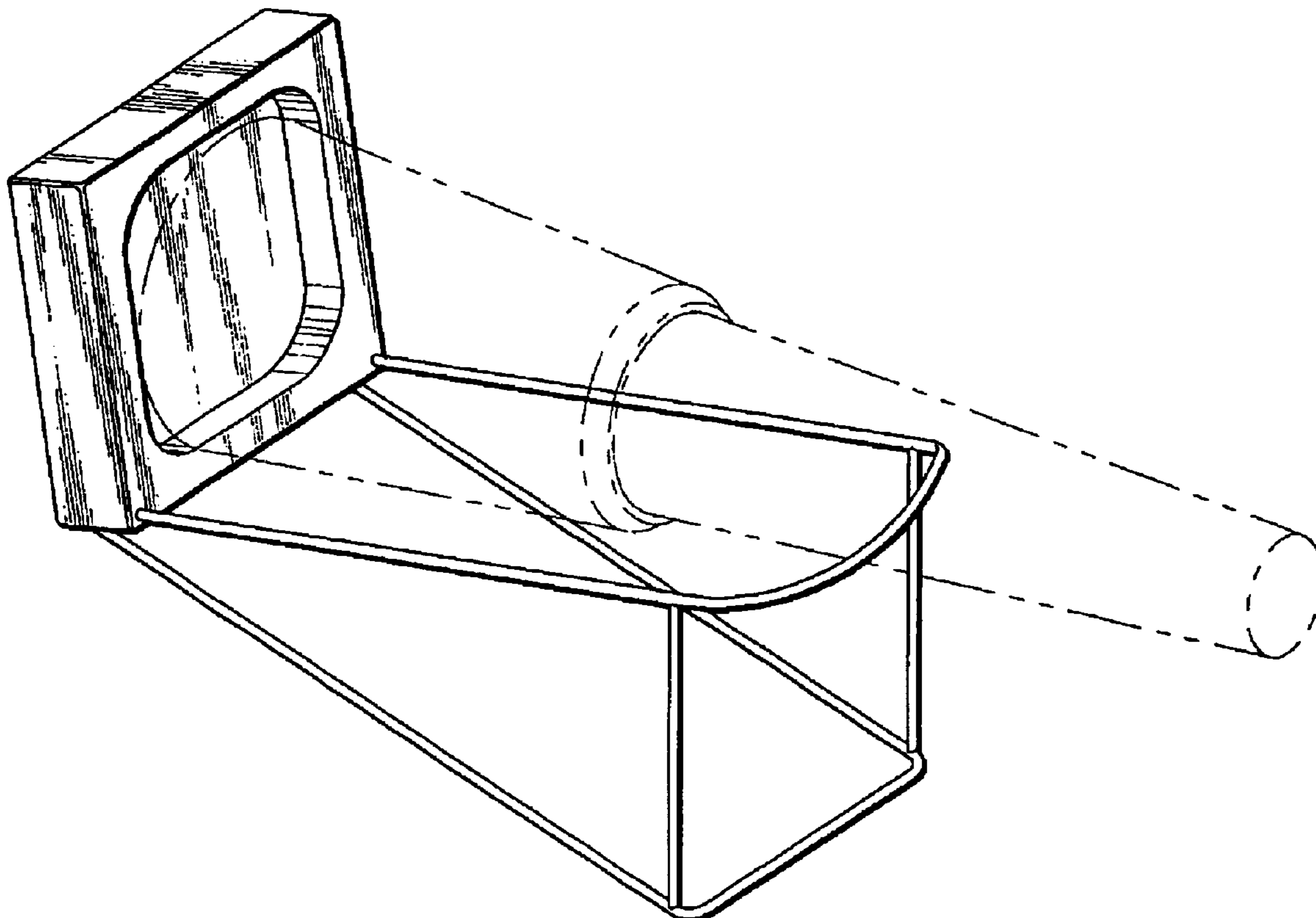
FIG. 1 is a perspective view of a device for holding nail polish bottle in tilted position showing my new design; FIG. 2 is a side elevational view thereof, the elevational view of the opposing side being a mirror image thereof; FIG. 3 is a top plan view thereof; FIG. 4 is an end elevational view thereof; FIG. 5 is an elevational view of the opposing end thereof; FIG. 6 is a bottom plan view thereof; and, FIG. 7 is a perspective view showing the device for holding nail polish bottle in tilted position in use; the broken lines depict environmental structure for illustrative purposes only and form no part of the claimed design.

(56) **References Cited**

U.S. PATENT DOCUMENTS

2,063,554 A	12/1936	Meyerson	
2,092,526 A	9/1937	Aprile	
2,745,569 A	5/1956	Seaman	
3,978,871 A	9/1976	Huston	
4,058,132 A	11/1977	Dietz	
D317,718 S	6/1991	Carol	
5,141,188 A *	8/1992	DeBlasi et al.	248/142
5,881,734 A	3/1999	Trayes	

1 Claim, 4 Drawing Sheets



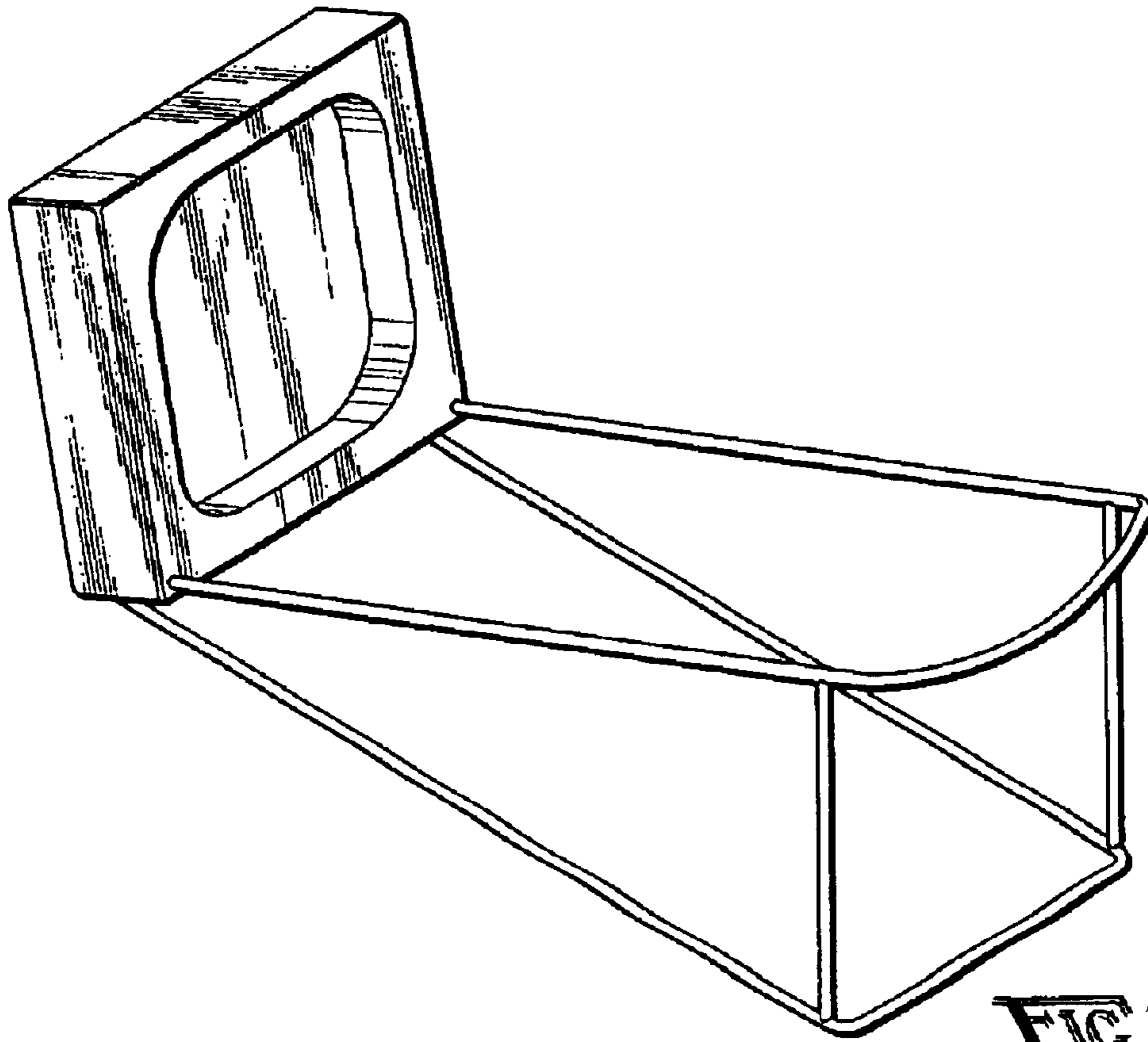


FIG. 1

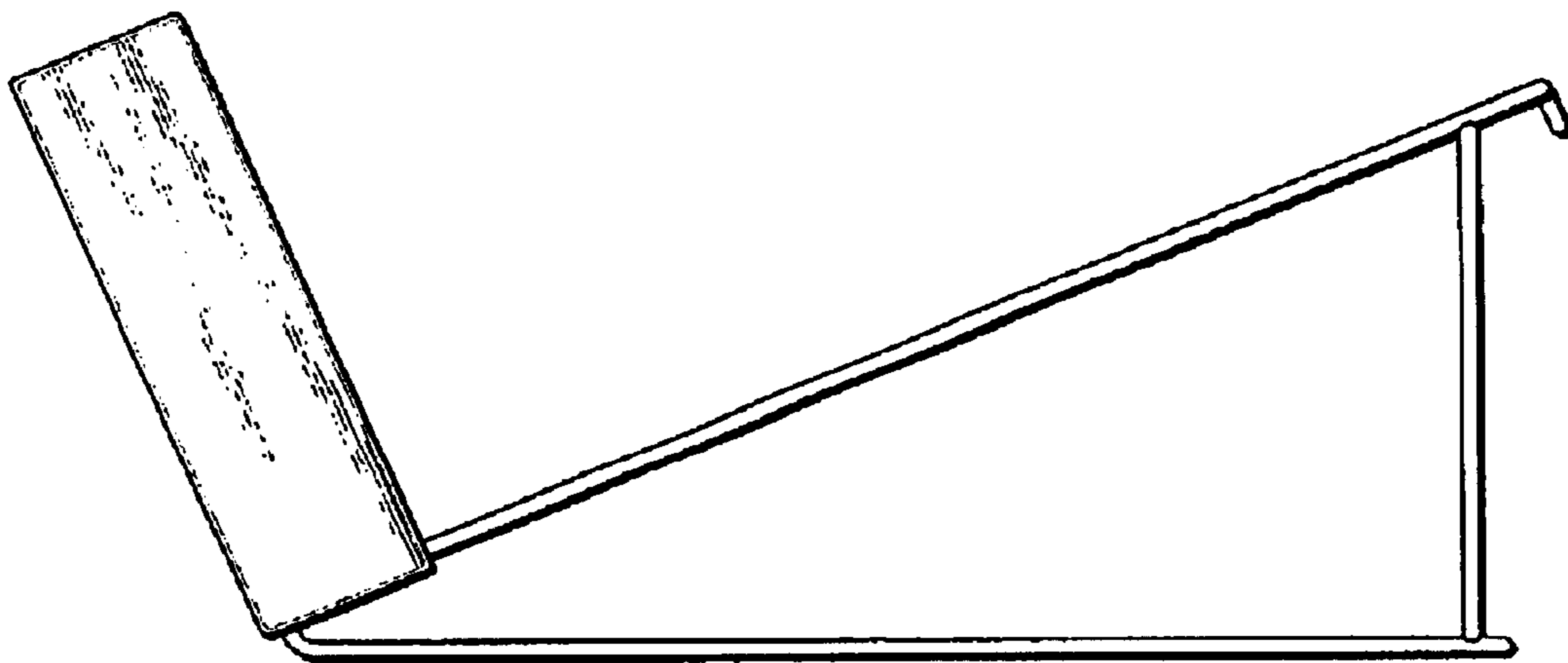


FIG. 2

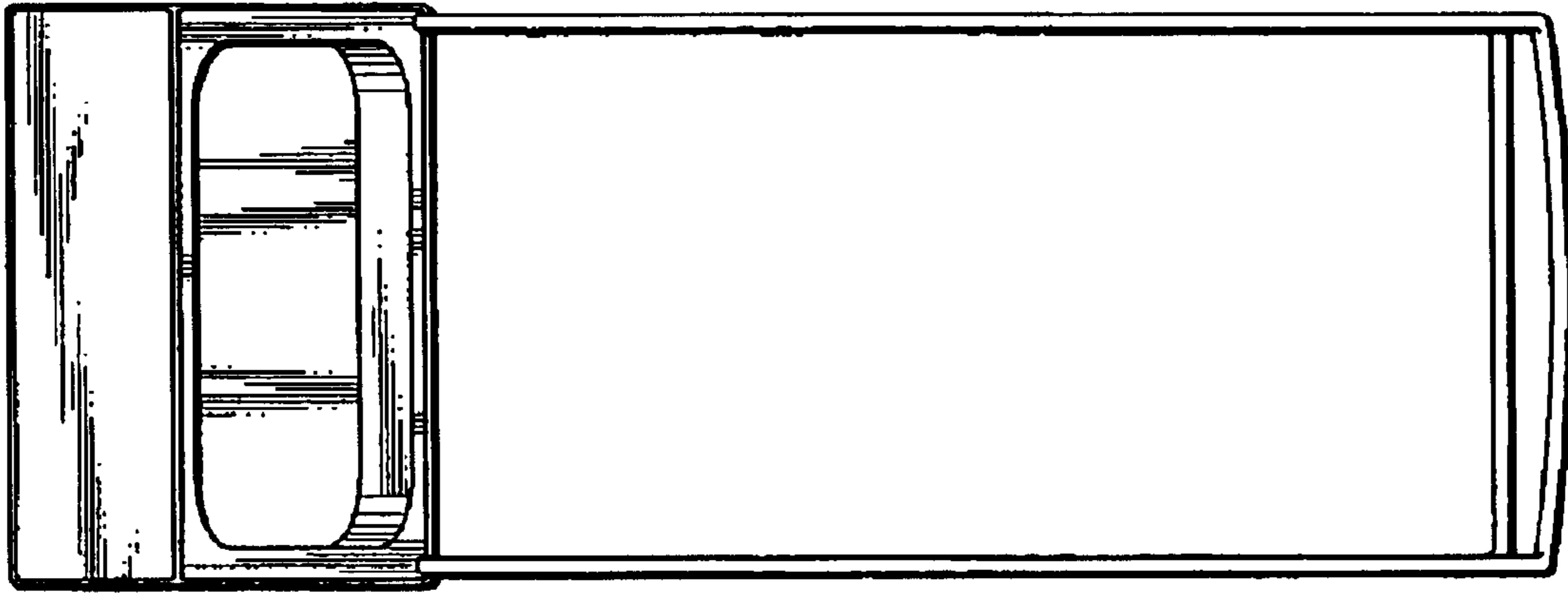


FIG. 3

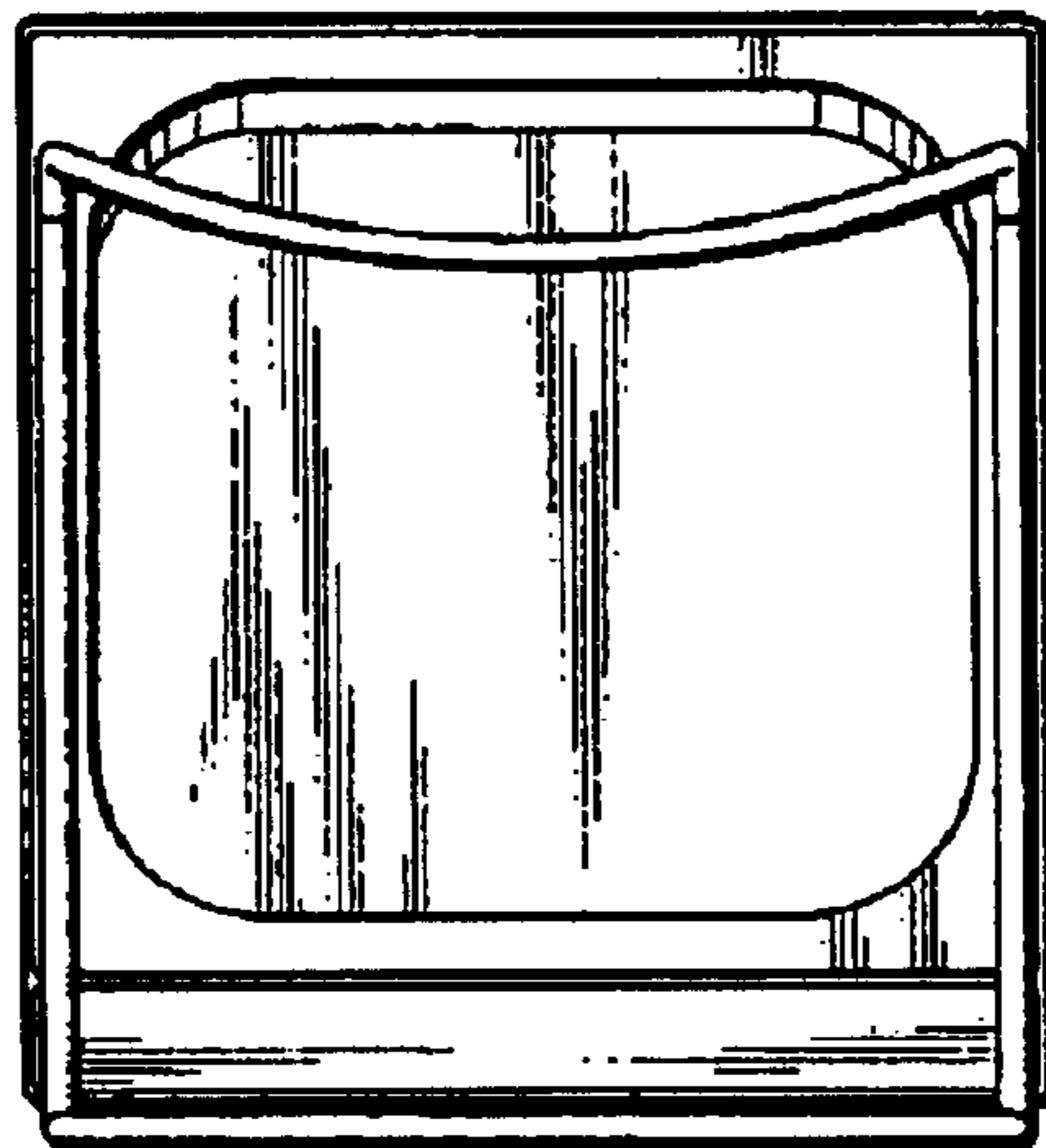


FIG. 4

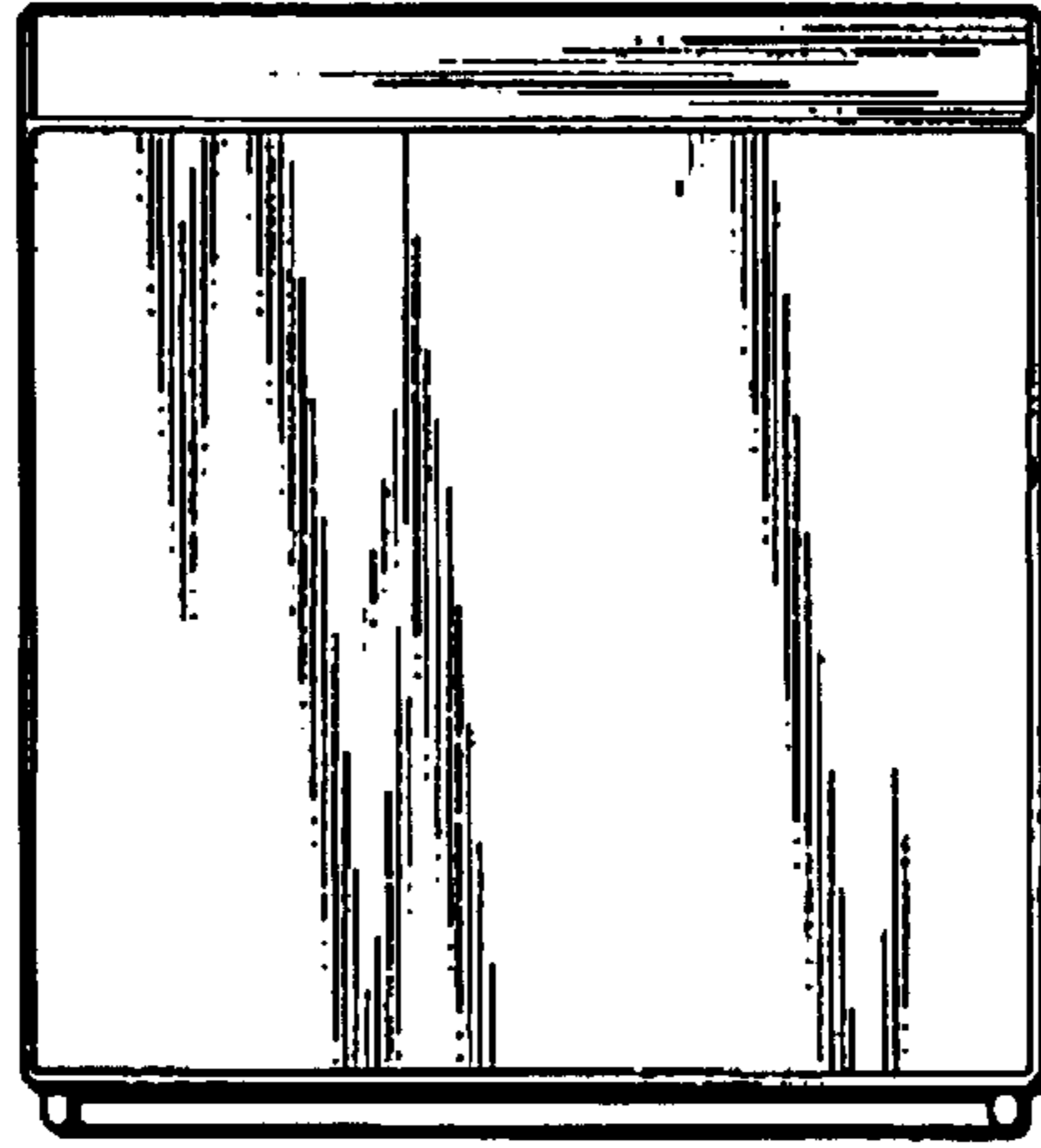


FIG. 5

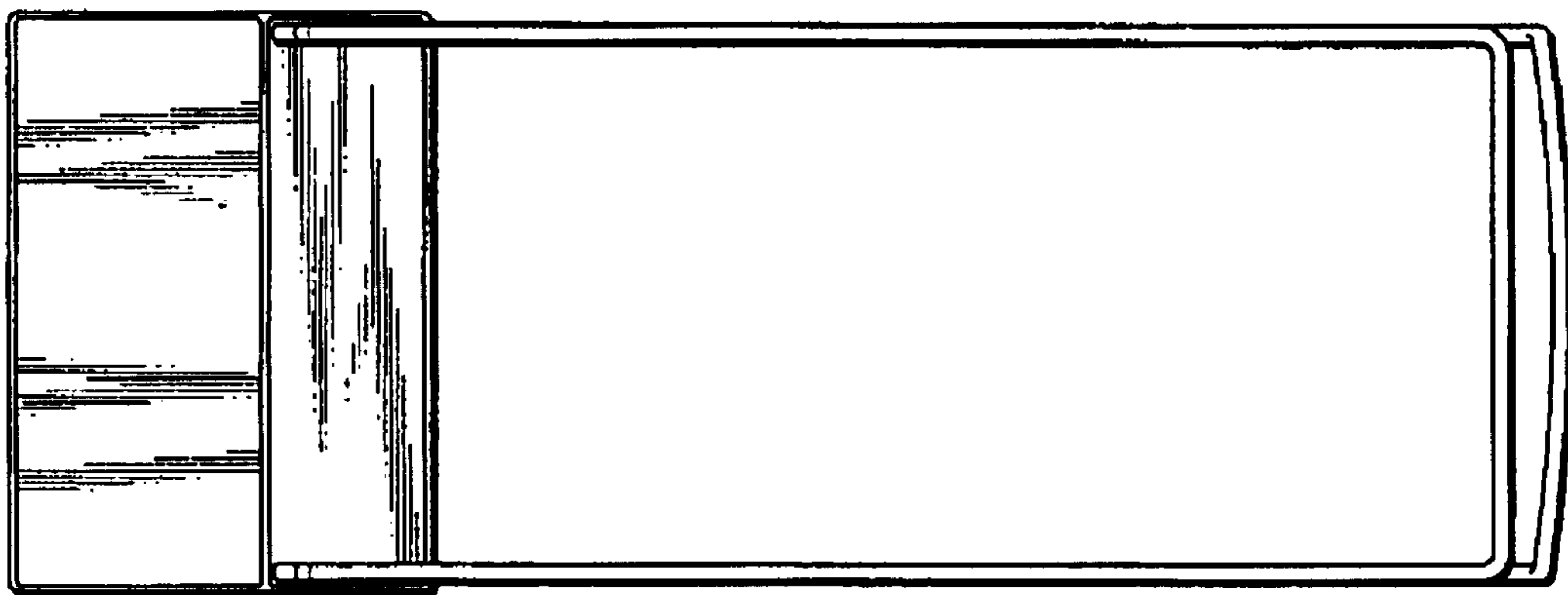


FIG. 6

