

US00D496754S1

(12) **United States Design Patent**
Parodi

(10) **Patent No.:** **US D496,754 S**

(45) **Date of Patent:** **** Sep. 28, 2004**

(54) **HAND-HELD ELECTRIC HAIR DRYER**

(75) **Inventor:** **Paolo Parodi, Milan (IT)**

(73) **Assignee:** **Parlux S.p.A. (IT)**

(**) **Term:** **14 Years**

(21) **Appl. No.:** **29/198,552**

(22) **Filed:** **Feb. 2, 2004**

(51) **LOC (7) Cl.** **28-03**

(52) **U.S. Cl.** **D28/13**

(58) **Field of Search** D28/12, 13, 15,
D28/16, 18; 34/96-101; 392/380, 383,
384, 385

(56) **References Cited**

U.S. PATENT DOCUMENTS

D276,941 S	*	12/1984	Stansbury, Jr.	D28/13
D428,528 S	*	7/2000	Deguines	D28/13
D432,716 S	*	10/2000	Goetschi	D28/13
6,285,828 B1	*	9/2001	Cafaro	392/385
D454,411 S	*	3/2002	Yeung	D28/13
6,389,710 B1	*	5/2002	Chou	34/97
D460,214 S	*	7/2002	Parodi	D28/13
D472,672 S	*	4/2003	Altamore et al.	D28/13

OTHER PUBLICATIONS

Hong Kong Enterprise, Jul., 1987, p. 214, "Stylistic" hair dryer.*

Hong Kong Enterprise, Jun. 1994, p. 392, hair dryer item No. CH-1206.*

* cited by examiner

Primary Examiner—Lucy Lieberman

(74) *Attorney, Agent, or Firm*—Shlesinger, Fitzsimmons & Shlesinger

(57) **CLAIM**

The ornamental design for a hand-held electric hair dryer, substantially as shown and described.

DESCRIPTION

FIG. 1 is a left-hand side view of a hand-held electric hair dryer showing my new design;

FIG. 2 is a front elevation view thereof;

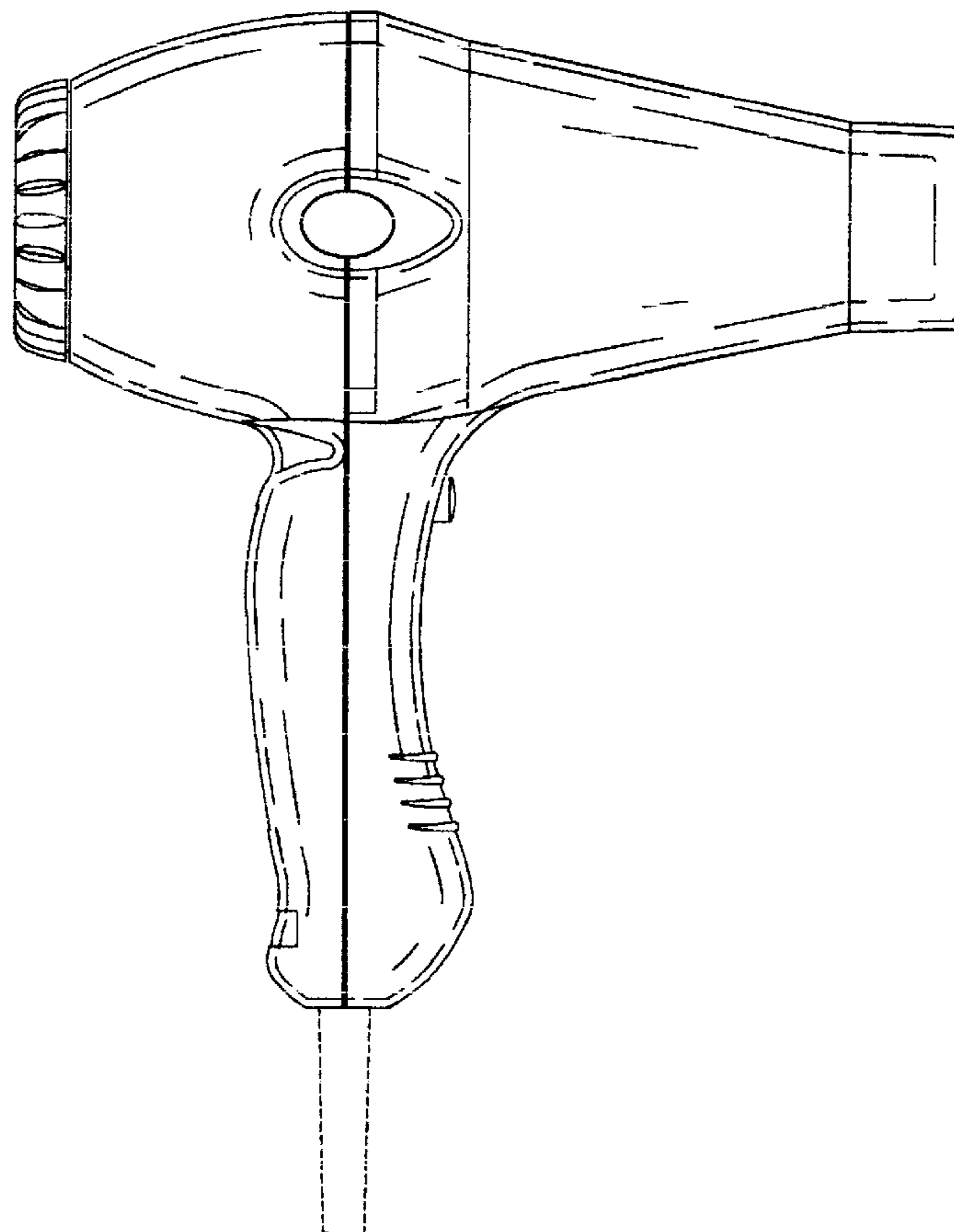
FIG. 3 is a rear elevation view thereof;

FIG. 4 is a right-hand side view thereof; and,

FIG. 5 is a top view thereof.

The broken lines shown in FIGS. 1 through 4 are for illustrative purposes only and do not form part of the claimed design.

1 Claim, 2 Drawing Sheets



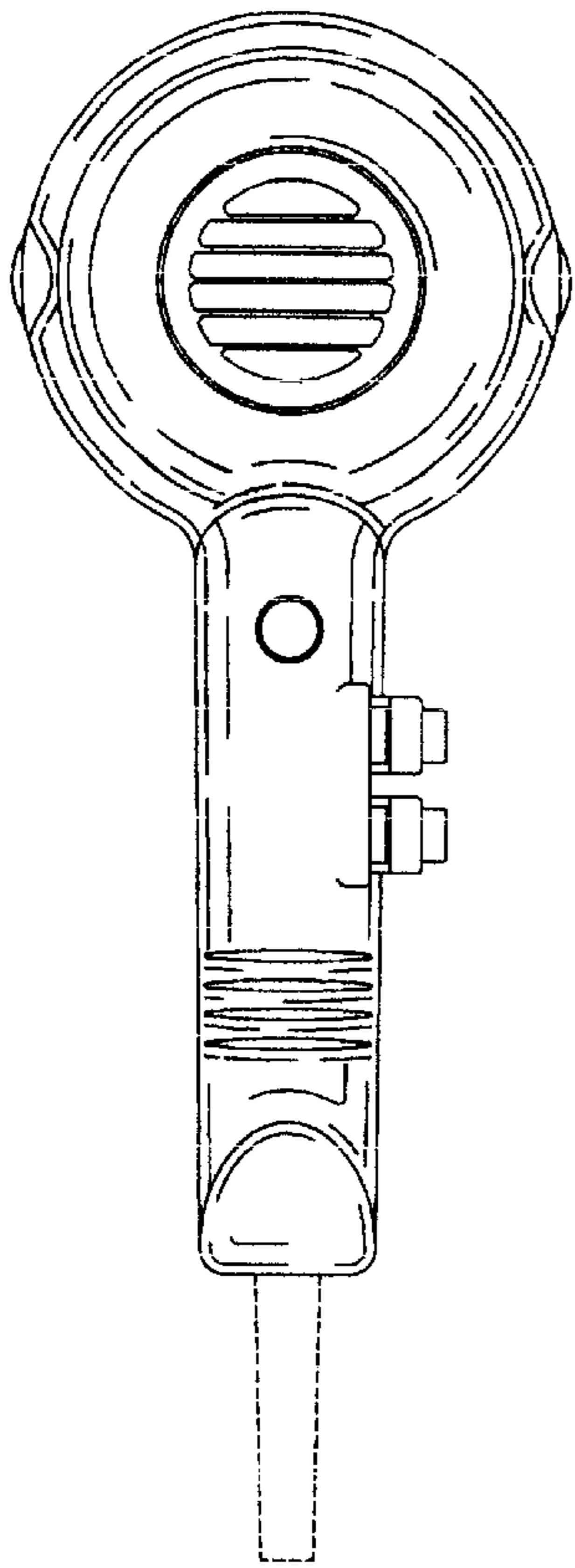


FIG. 2

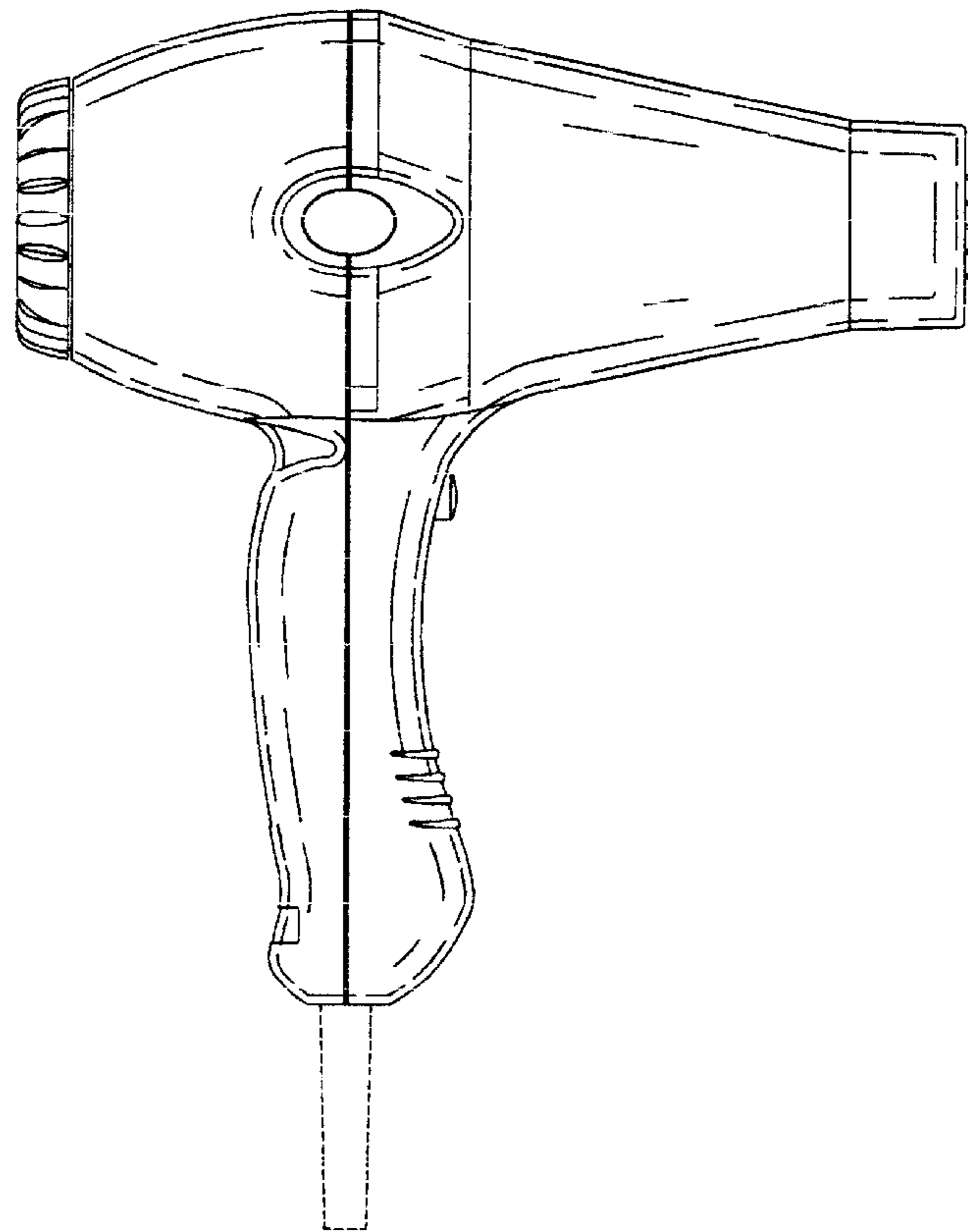


FIG. 1

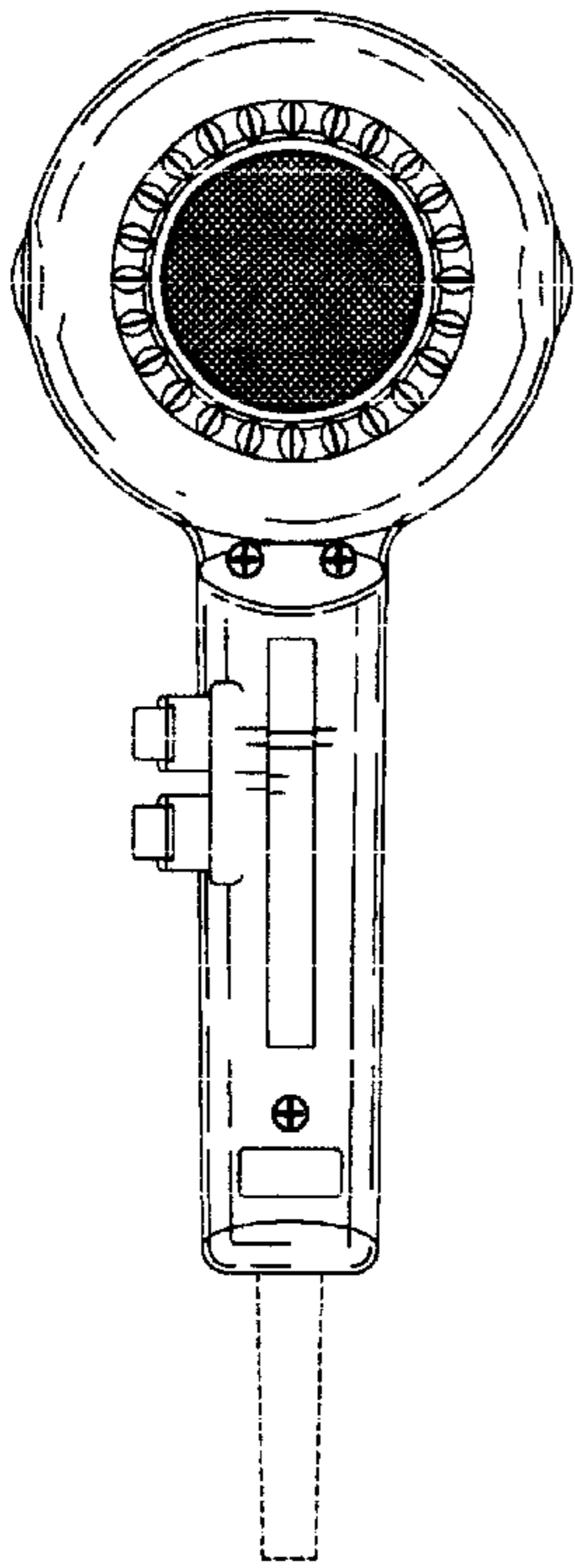


FIG. 3

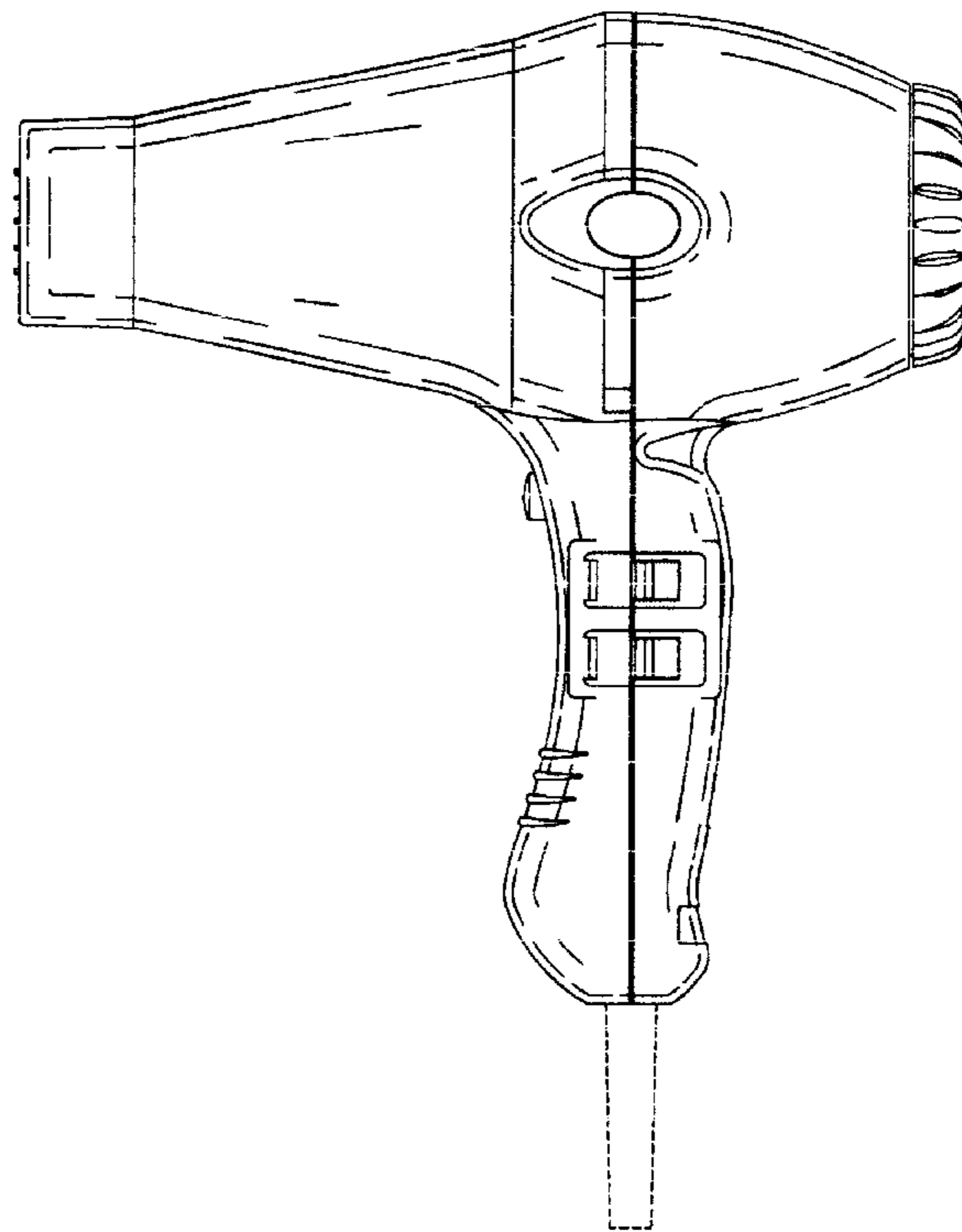


FIG. 4

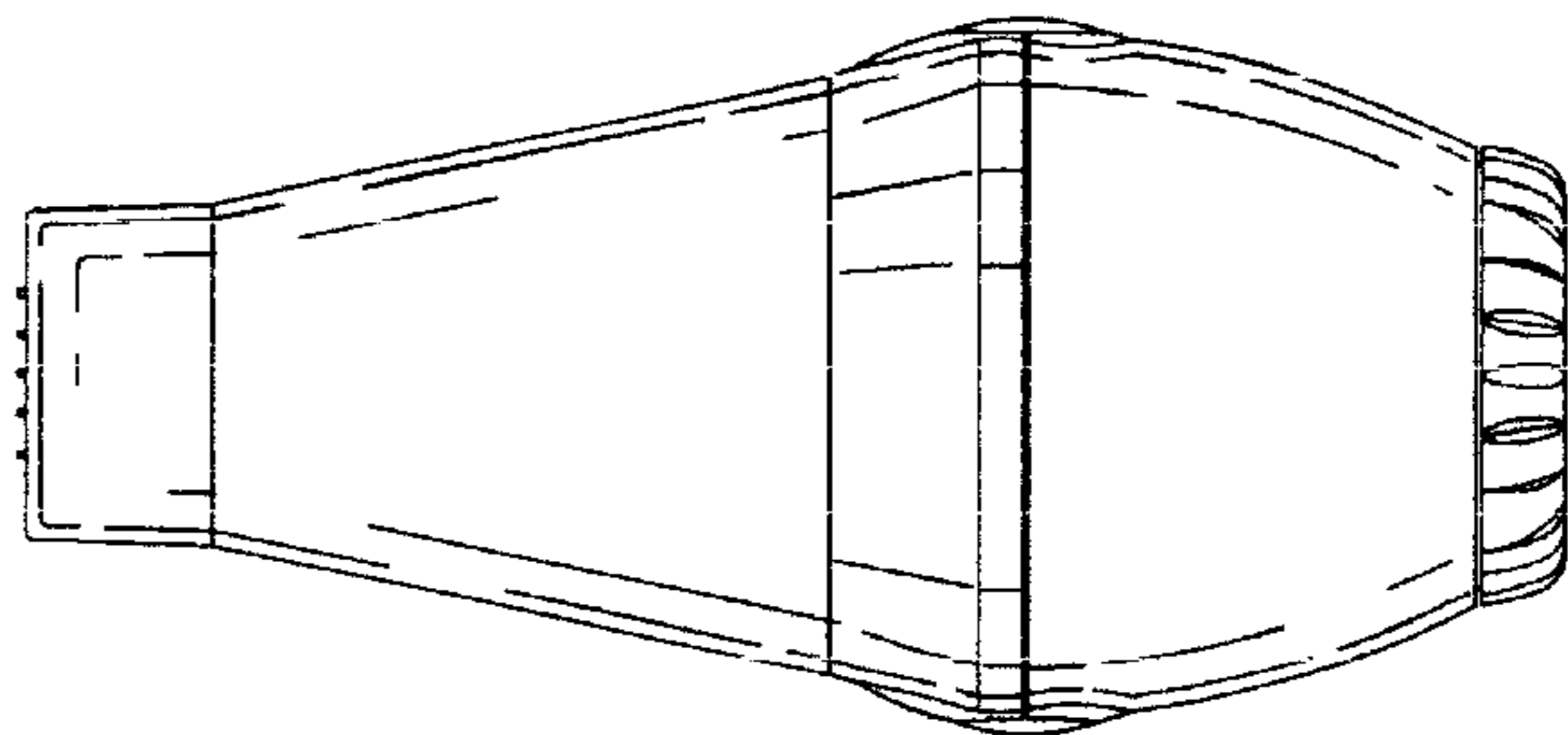


FIG. 5