

US00D496753S1

(12) **United States Design Patent** (10) **Patent No.:** **US D496,753 S**  
**Thornell et al.** (45) **Date of Patent:** **\*\* Sep. 28, 2004**

(54) **ASHTRAY APPARATUS HAVING A REMOVABLE HANDLE**

6,237,801 B1 5/2001 Liu  
D455,225 S 4/2002 Whitlock  
6,484,989 B1 11/2002 Connery

(76) Inventors: **Daniel E. Thornell**, 15833 Cedar Ave., Grand Haven, MI (US) 49417; **Orville V. Crain**, 330 E. Gilar Rd., Muskegon, MI (US) 49445; **Fredrick Thornell**, 910 S. Albeo, Grand Haven, MI (US) 49417

**FOREIGN PATENT DOCUMENTS**

DE 3504467 8/1986

**OTHER PUBLICATIONS**

Photo of Bobken Product Sample, 2003.  
Photo of Bobken Product Sample, 2002.  
Printout of Bobken Website, as archived by archive.org, dated by archive.org as Apr. 5, 2001 3 pages.

\* cited by examiner

*Primary Examiner*—Jennifer Rivard  
(74) *Attorney, Agent, or Firm*—King & Jovanovic, PLC

(\*\*) **Term:** **14 Years**

(21) **Appl. No.:** **29/178,994**

(22) **Filed:** **Apr. 3, 2003**

(51) **LOC (7) Cl.** ..... **27-03**

(52) **U.S. Cl.** ..... **D27/105**

(58) **Field of Search** ..... D27/102–105,  
D27/108, 109, 118, 125, 133–135; D7/510,  
533; 131/231, 235.1, 23, 240.1, 241, 242,  
236

(57) **CLAIM**

The ornamental design for an ashtray apparatus having a removable handle, as shown and described.

**DESCRIPTION**

FIG. 1 is a perspective view of the ashtray apparatus having a removable handle, showing the handle in an attached configuration;

FIG. 2 is a side elevational view thereof;

FIG. 3 is a back elevational view thereof;

FIG. 4 is a front elevational view thereof;

FIG. 5 is a top plan view thereof;

FIG. 6 is a bottom plan view thereof;

FIG. 7 is a side elevational view thereof when the handle is detached therefrom;

FIG. 8 is a back elevational view thereof when the handle is detached therefrom;

FIG. 9 is a front elevational view thereof when the handle is detached therefrom;

FIG. 10 is a top plan view thereof when the handle is detached therefrom; and,

FIG. 11 is a bottom plan view thereof when the handle is detached therefrom.

It is understood that the opposite side views of FIGS. 2 and 7 are respective mirror images.

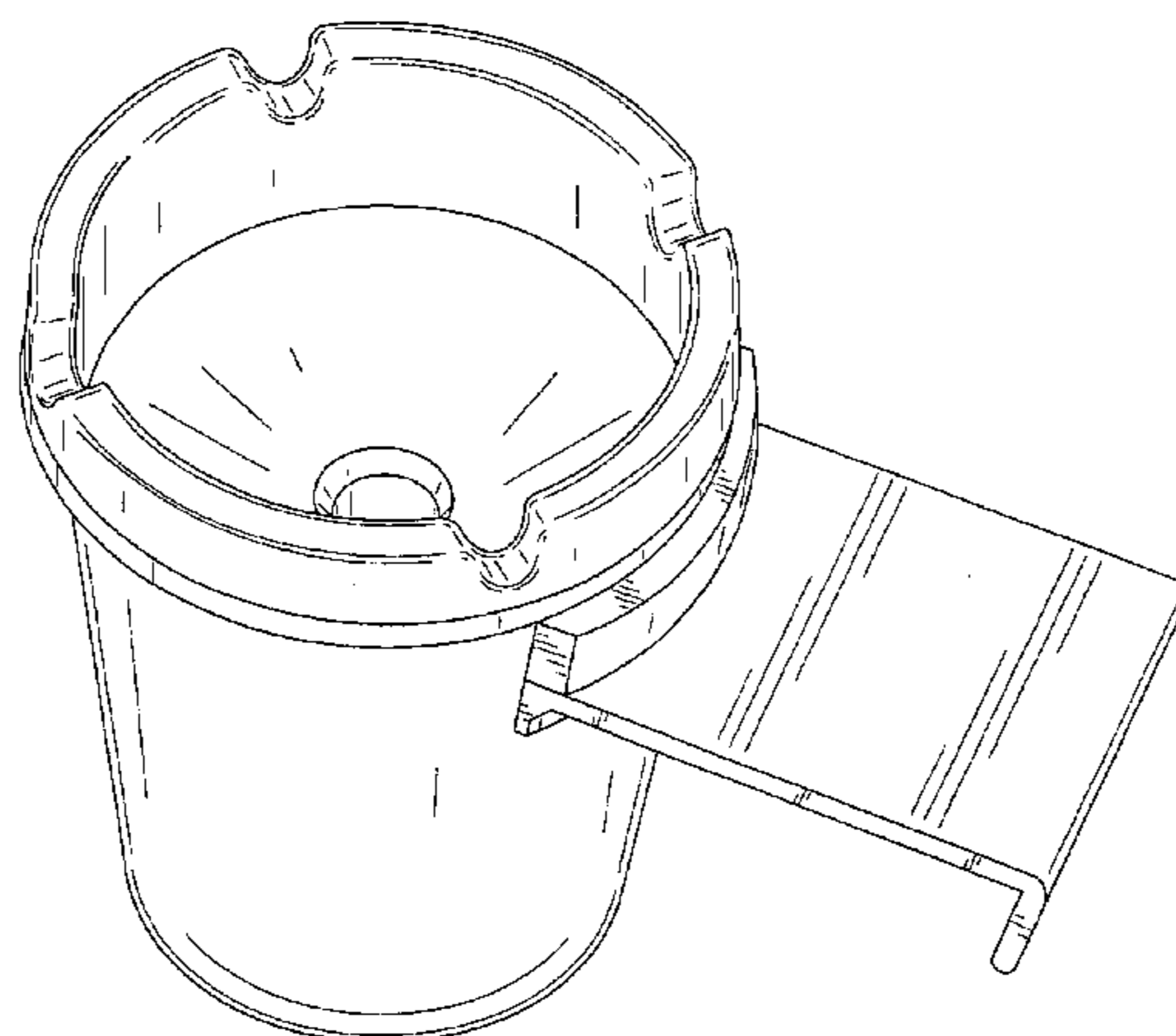
For convenience of illustration, the ashtray is disclosed with the handle removed.

(56) **References Cited**

**U.S. PATENT DOCUMENTS**

1,805,016 A	5/1931	Schwartz	
D172,130 S	5/1954	Coulter	
3,186,414 A	6/1965	Davis	
D244,302 S	5/1977	Bradley	
4,133,319 A	1/1979	Bloomfield	
D251,174 S	2/1979	Biever	
4,142,537 A	3/1979	Fenelon	
D256,279 S	8/1980	Huggins	
D258,468 S	3/1981	Whitlock	
D266,879 S	11/1982	Pastirik	
4,587,980 A	5/1986	Tipper	
4,643,326 A	2/1987	Klingler	
4,697,780 A	10/1987	Wenkman et al.	
D309,352 S	7/1990	Harder et al.	
D323,720 S	2/1992	Leung	
5,249,702 A	10/1993	Topp et al.	
5,279,452 A	1/1994	Huynh	
D362,921 S	10/1995	Krystek	
D395,097 S	6/1998	Barton et al.	
D399,025 S	9/1998	Whitlock	
D442,736 S	* 5/2001	McGilvray	..... D27/118

**1 Claim, 7 Drawing Sheets**



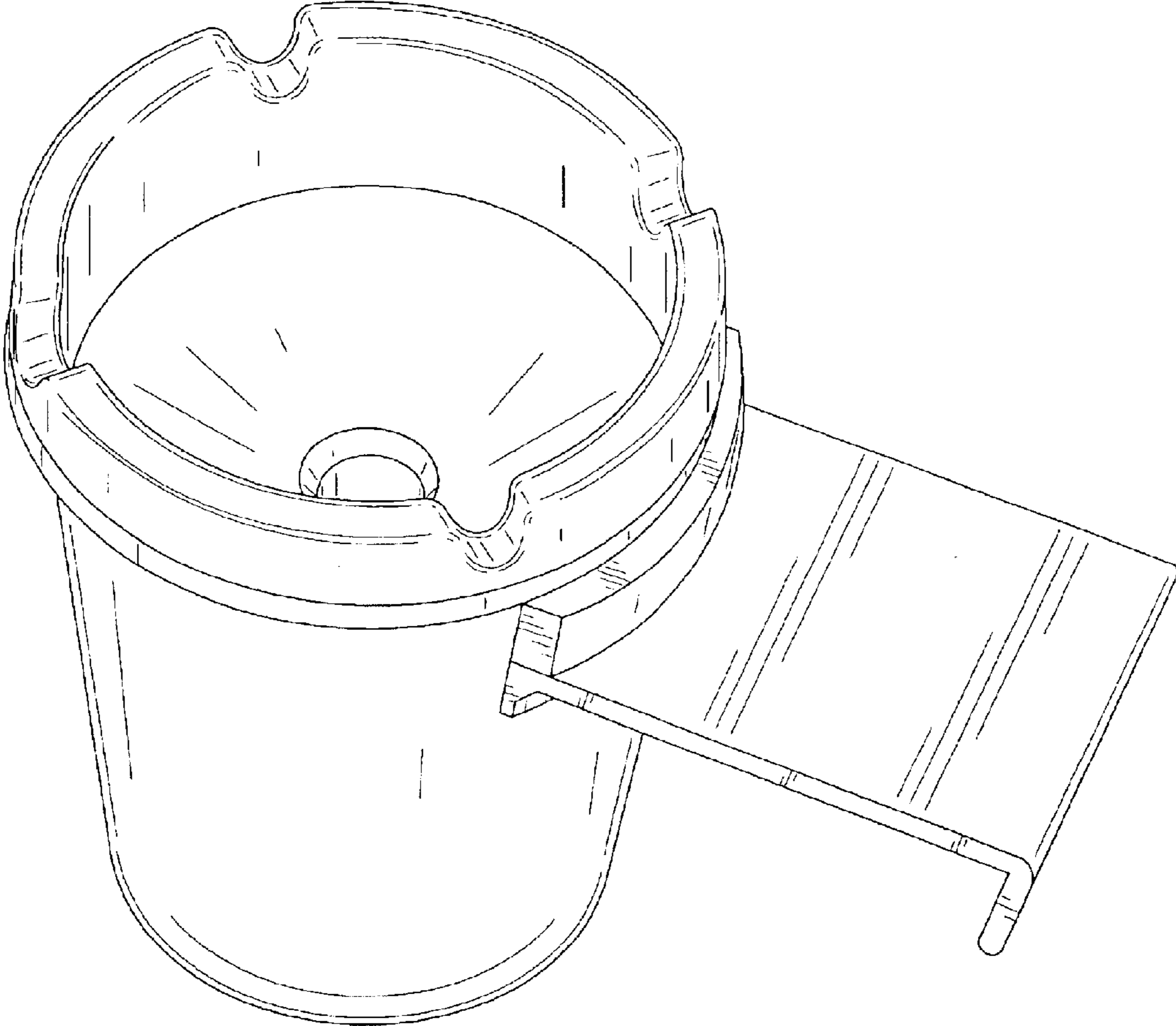


FIG. 1

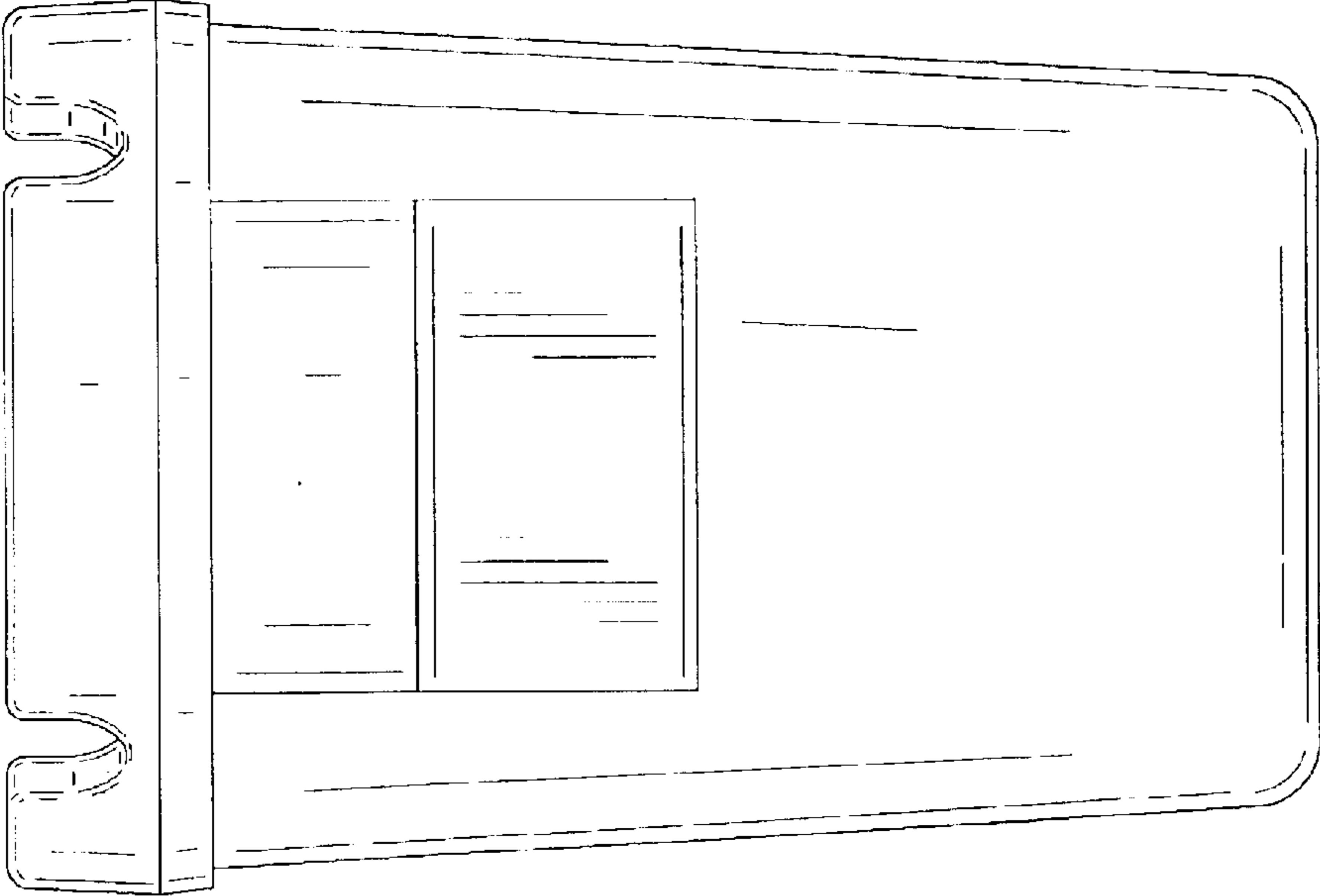


FIG. 3

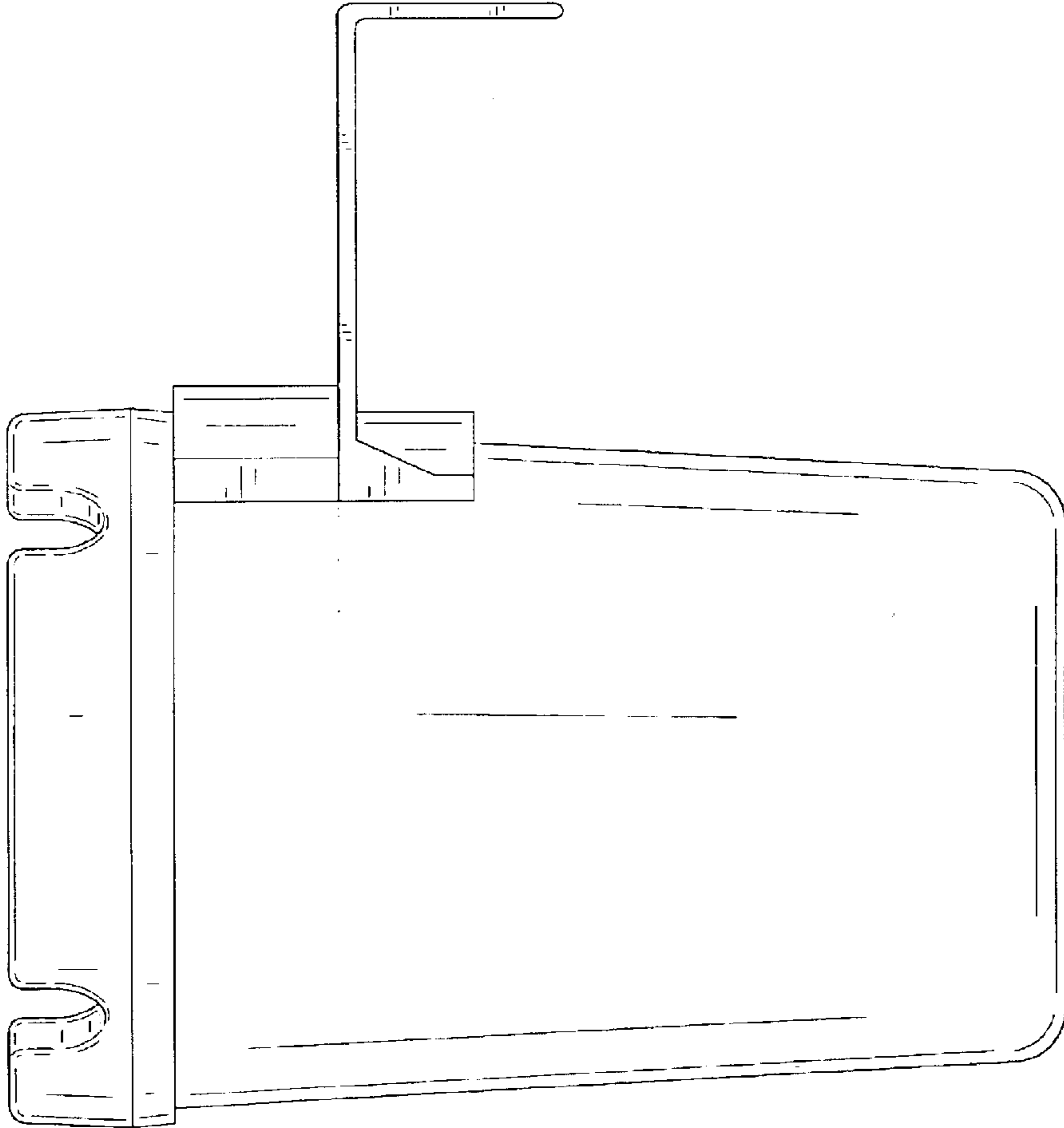


FIG. 2

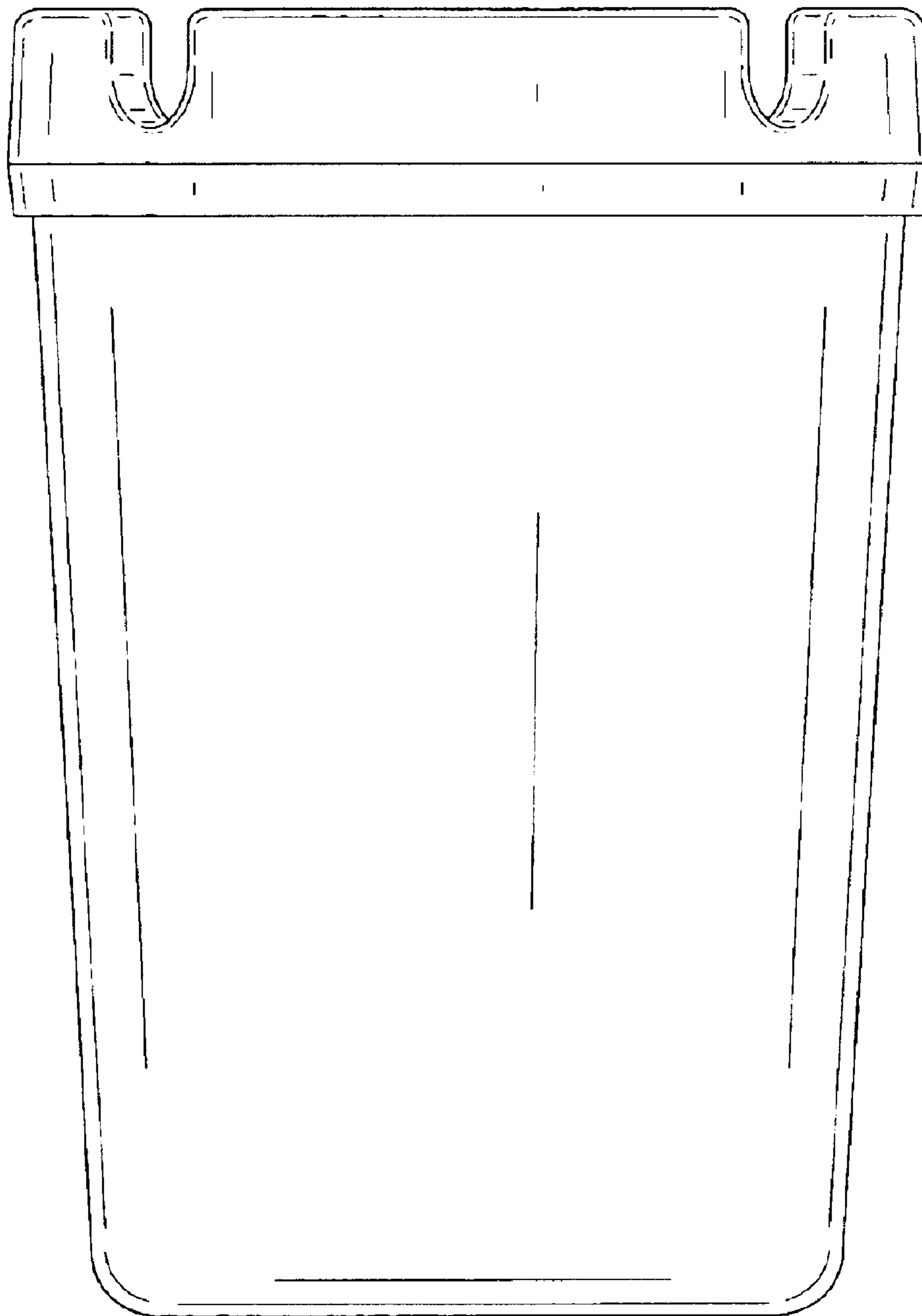


FIG. 4

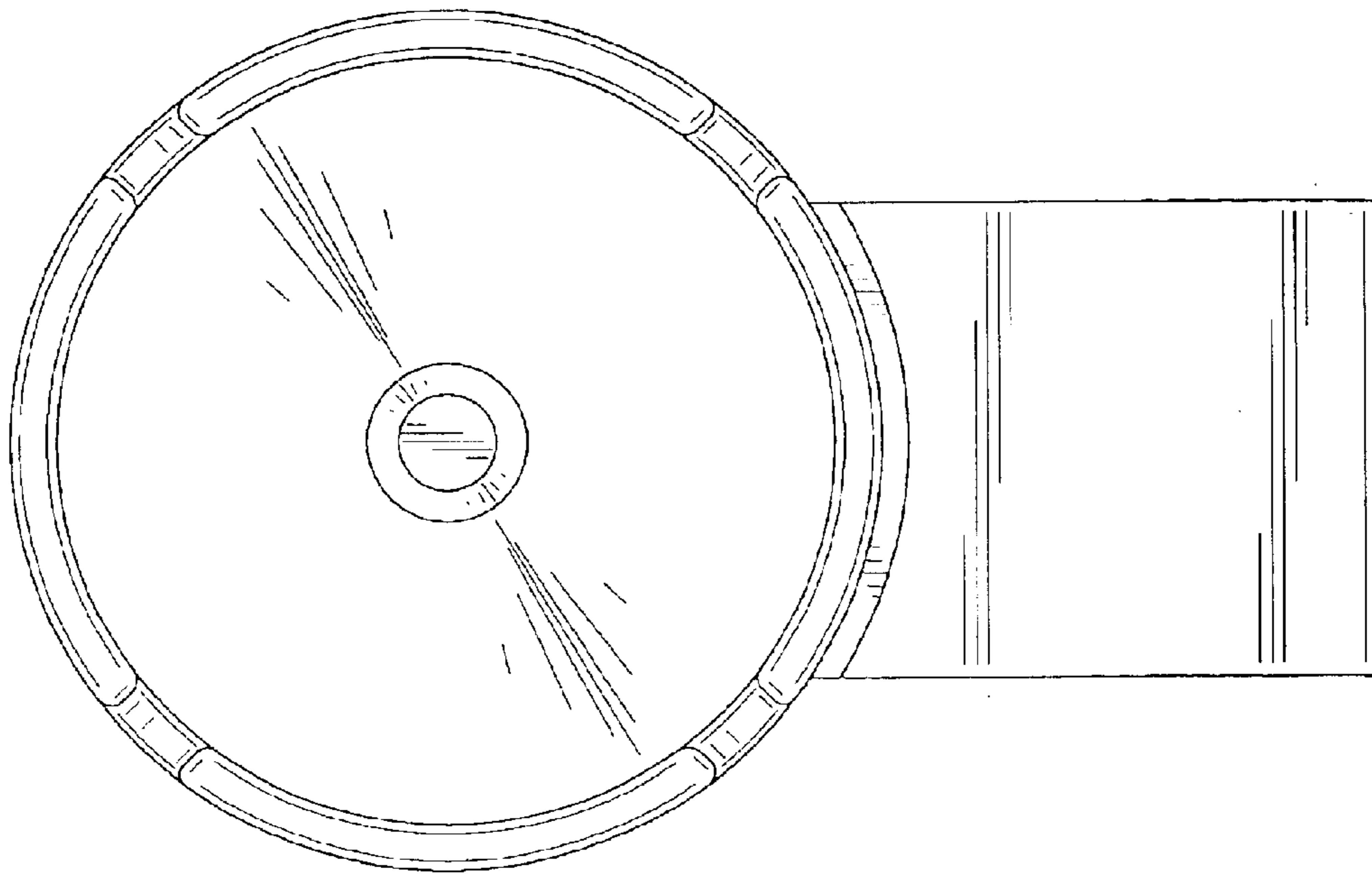


FIG. 5

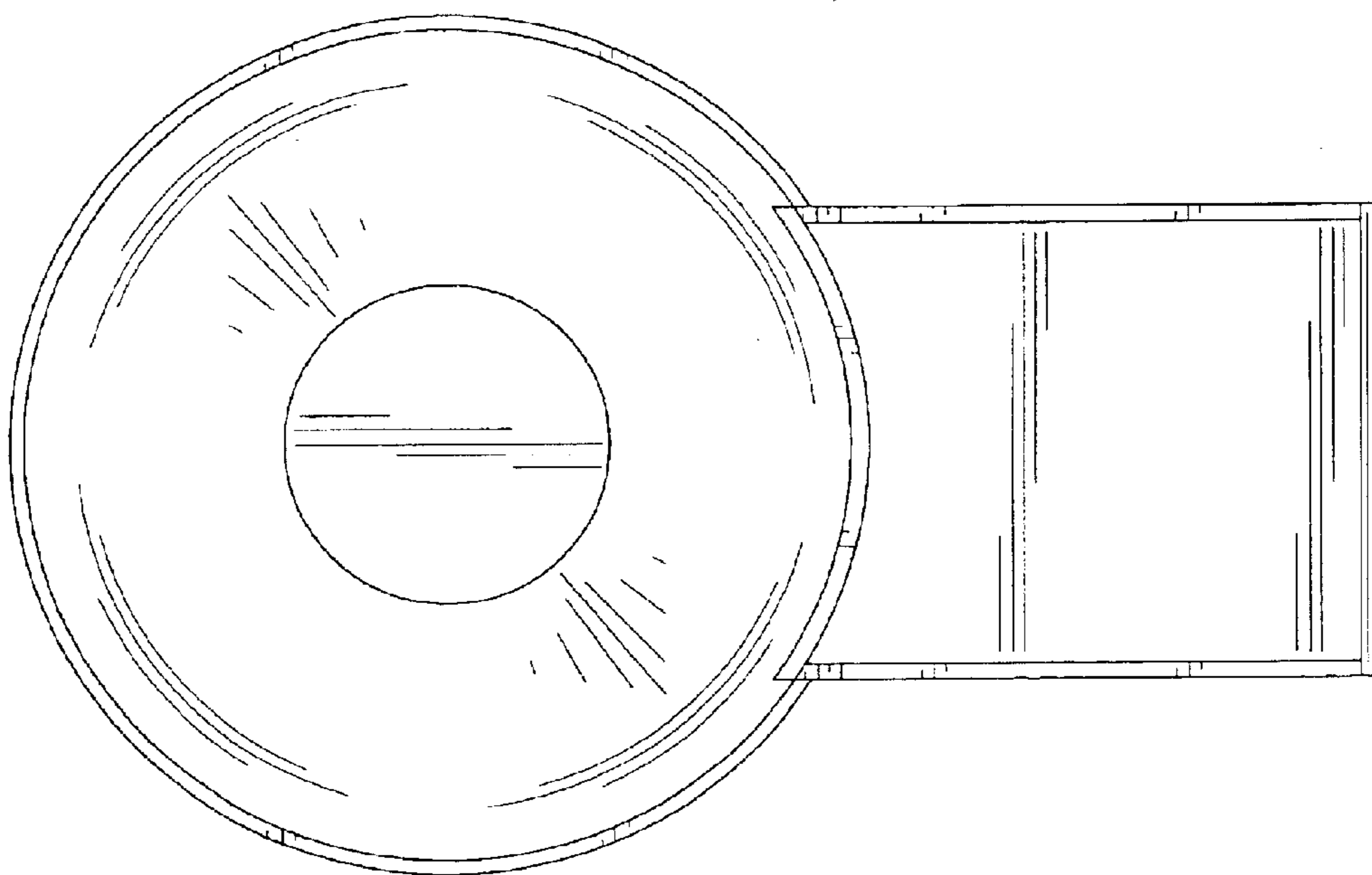


FIG. 6

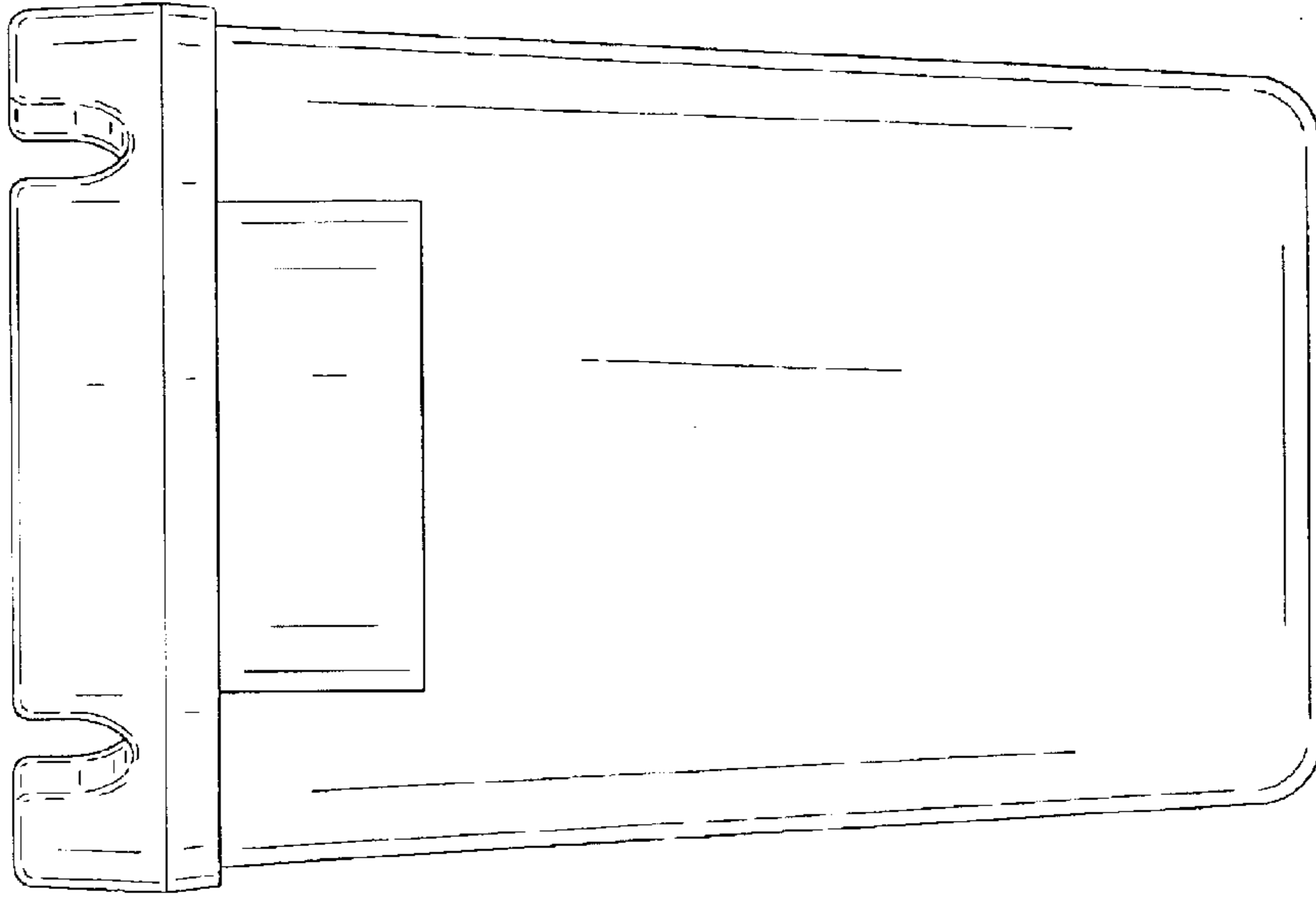


FIG. 8

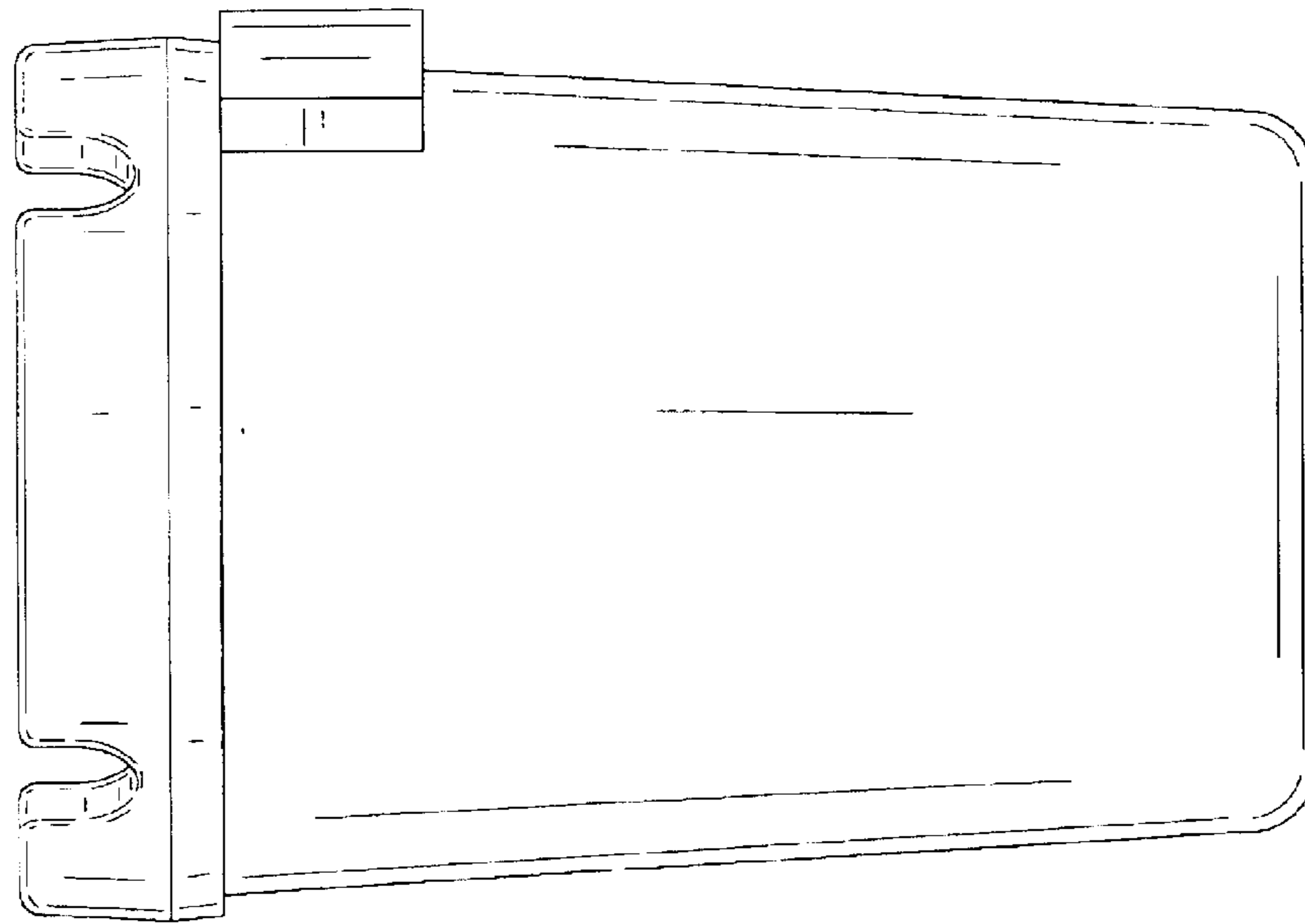


FIG. 7

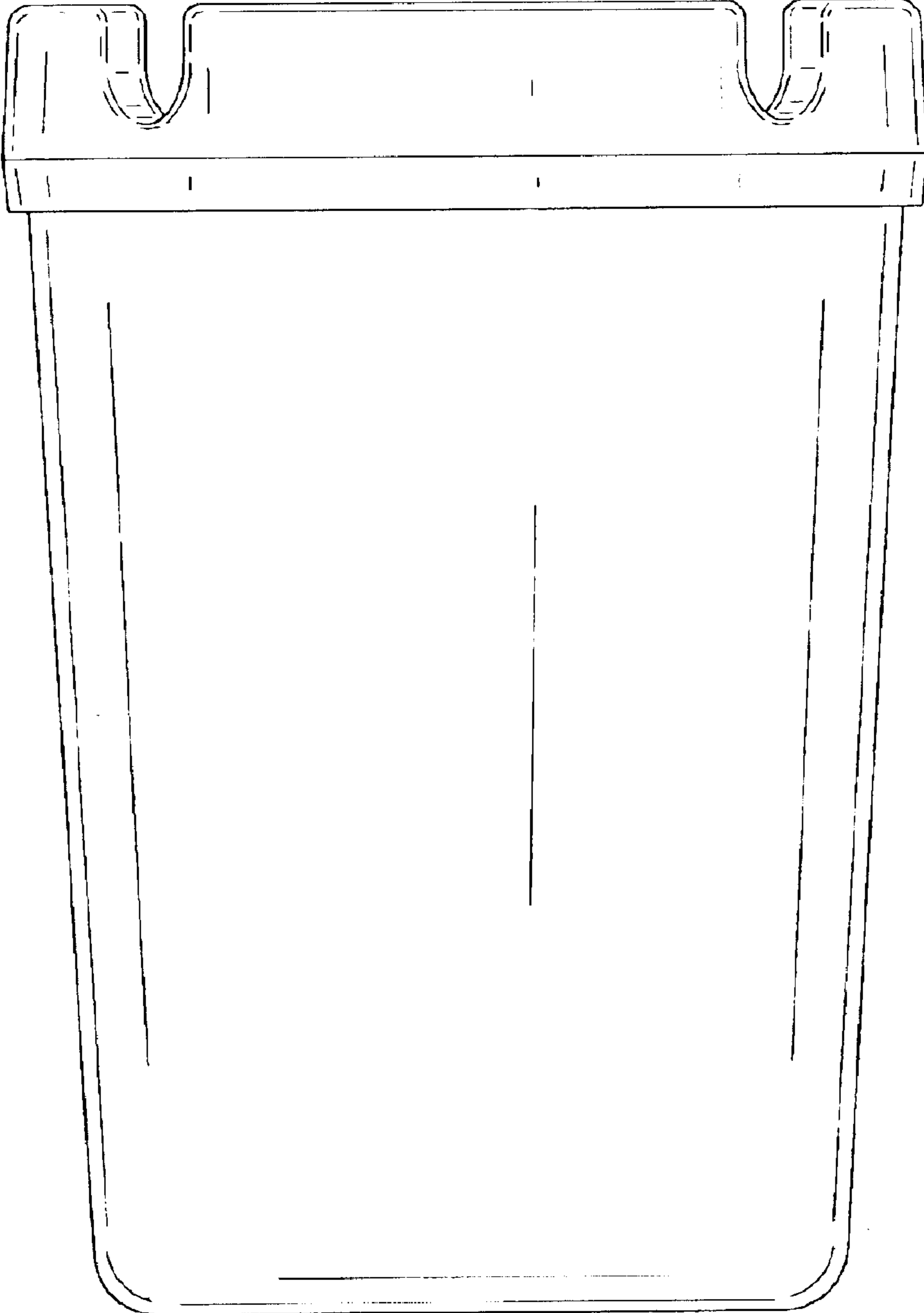


FIG. 9

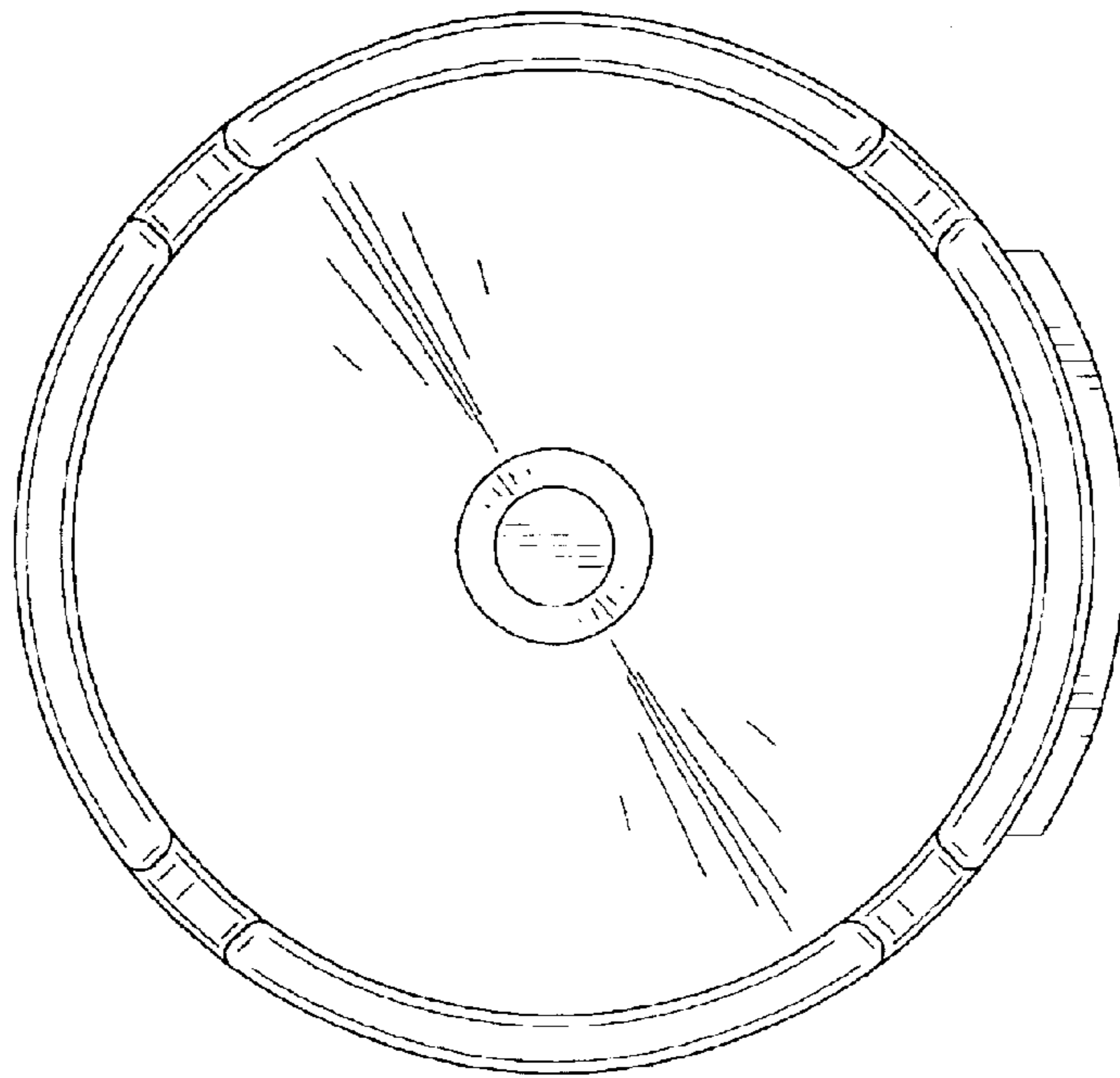


FIG. 10

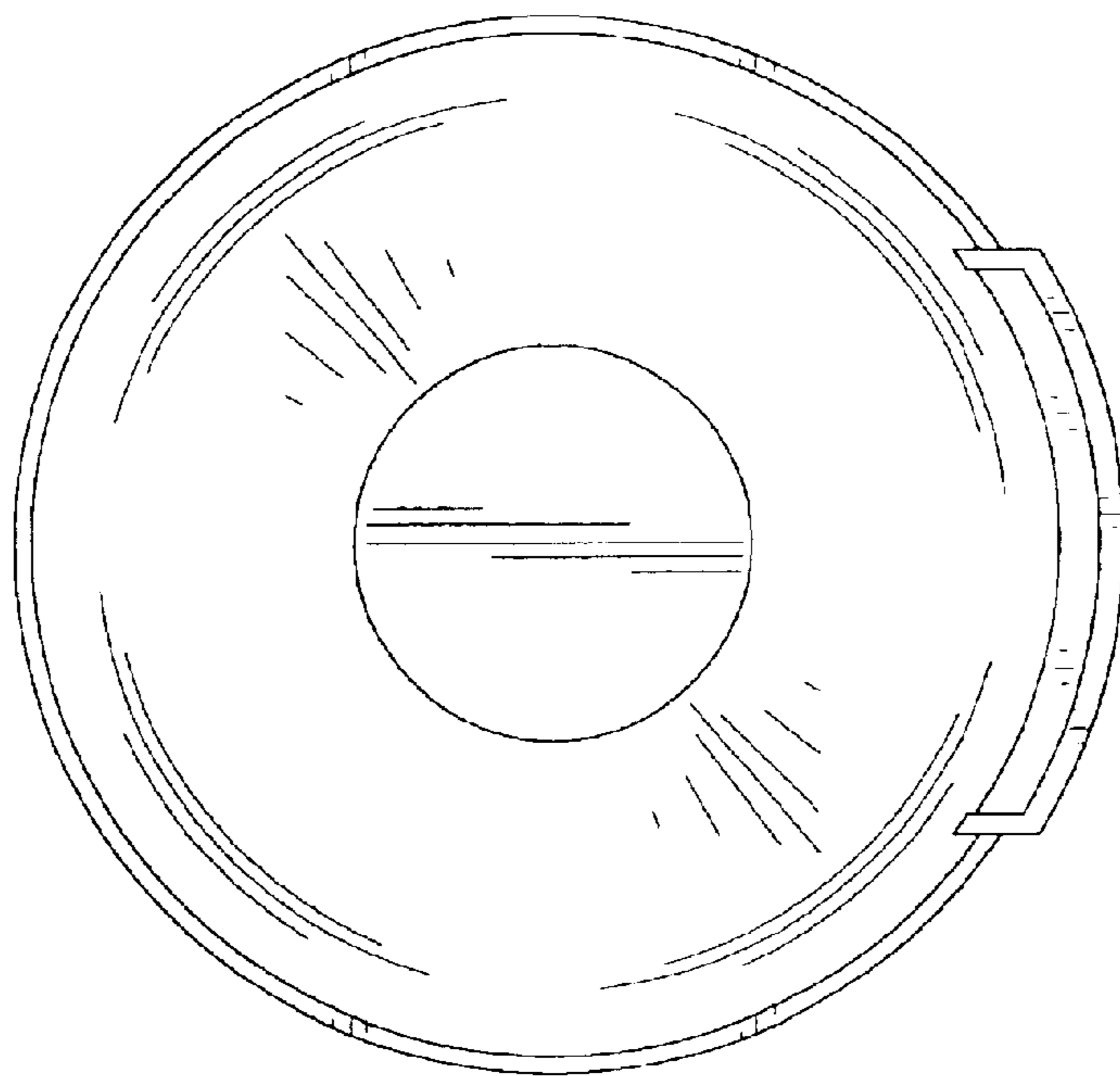


FIG. 11