

US00D496750S1

(12) **United States Design Patent**
Waldmann

(10) **Patent No.:** **US D496,750 S**

(45) **Date of Patent:** **** Sep. 28, 2004**

(54) **LAMP ASSEMBLY**

(75) **Inventor:** **Gerhard Waldmann, Dauchingen (DE)**

(73) **Assignee:** **Herbert Waldmann GmbH & Co.,
Villingen-Schwenningen (DE)**

(**) **Term:** **14 Years**

(21) **Appl. No.:** **29/168,938**

(22) **Filed:** **Oct. 11, 2002**

(30) **Foreign Application Priority Data**

Apr. 17, 2002 (DE) 402 03 377

(51) **LOC (7) Cl. 26-03**

(52) **U.S. Cl. D26/78; D26/92**

(58) **Field of Search D26/24, 72, 75-78;
362/147, 217-226, 431, 432**

(56) **References Cited**

U.S. PATENT DOCUMENTS

- D123,887 S * 12/1940 Koehler D26/24
- D140,343 S * 2/1945 Nitardy D26/76
- D175,188 S * 7/1955 Phillips D26/76
- D311,596 S * 10/1990 Herst et al. D26/85
- D329,104 S * 9/1992 Dieperink D26/87

- D329,715 S * 9/1992 Dieperink D26/76
- 5,658,066 A * 8/1997 Hirsch 362/219
- D421,146 S * 2/2000 Poulton D26/76
- D437,959 S * 2/2001 Lewis D26/76
- D471,308 S * 3/2003 Gismondi D26/76

* cited by examiner

Primary Examiner—Clare E Heflin

(74) *Attorney, Agent, or Firm*—Eugene E. Renz, Jr.

(57) **CLAIM**

The ornamental design for lamp assembly, as shown and described.

DESCRIPTION

FIG. 1 is a perspective view as viewed from the front bottom of a lamp assembly showing my new design;

FIG. 2 is a front elevational view of my design for a lamp assembly;

FIG. 3 is a back view of my design for a lamp assembly;

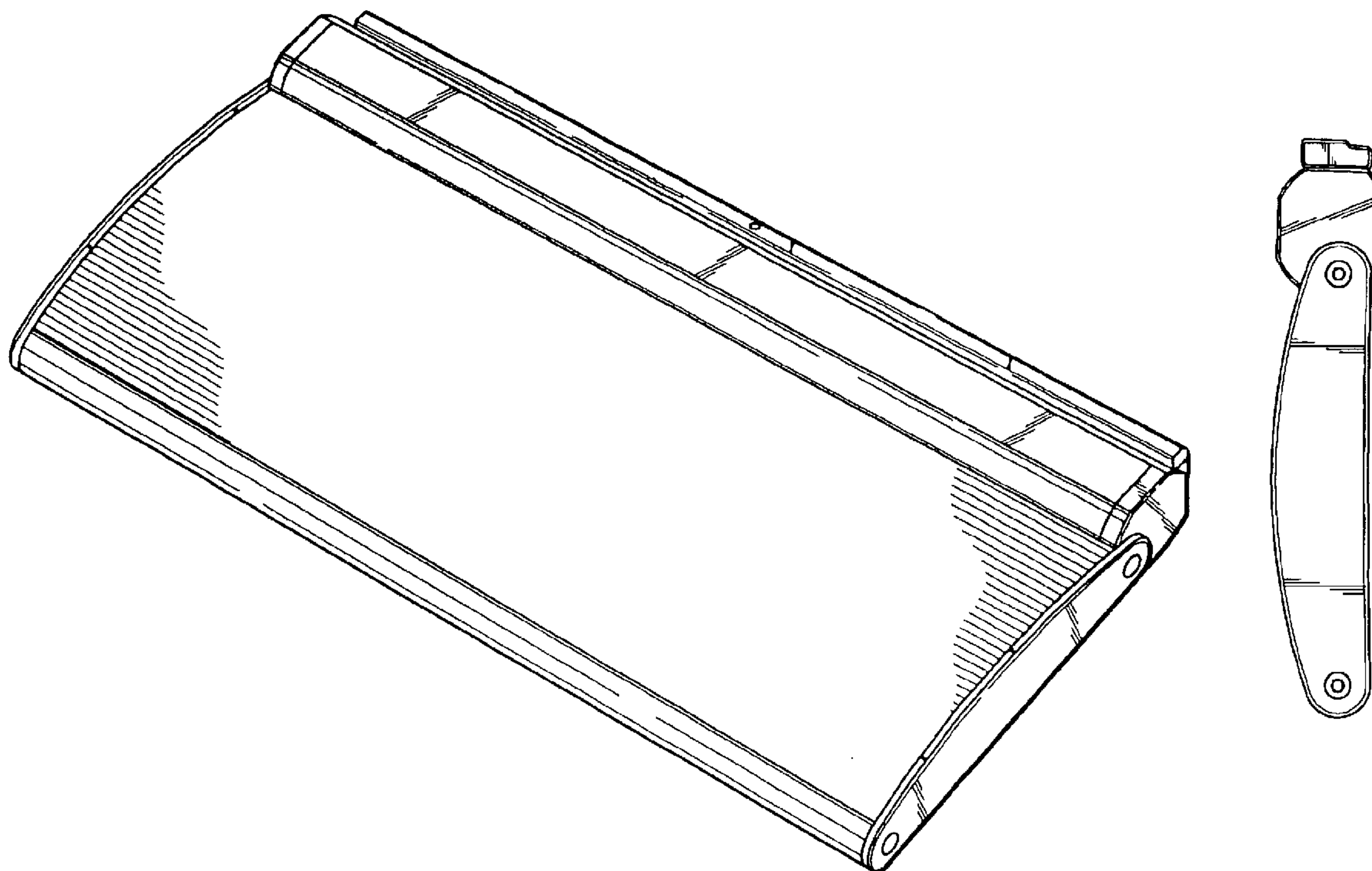
FIG. 4 is a side elevation view as viewed from the right of my design for a lamp assembly;

FIG. 5 is a side elevational view as viewed from the left of my design for a lamp assembly;

FIG. 6 is a top view of my design for a lamp assembly; and,

FIG. 7 is a bottom view of my design for a lamp assembly.

1 Claim, 3 Drawing Sheets



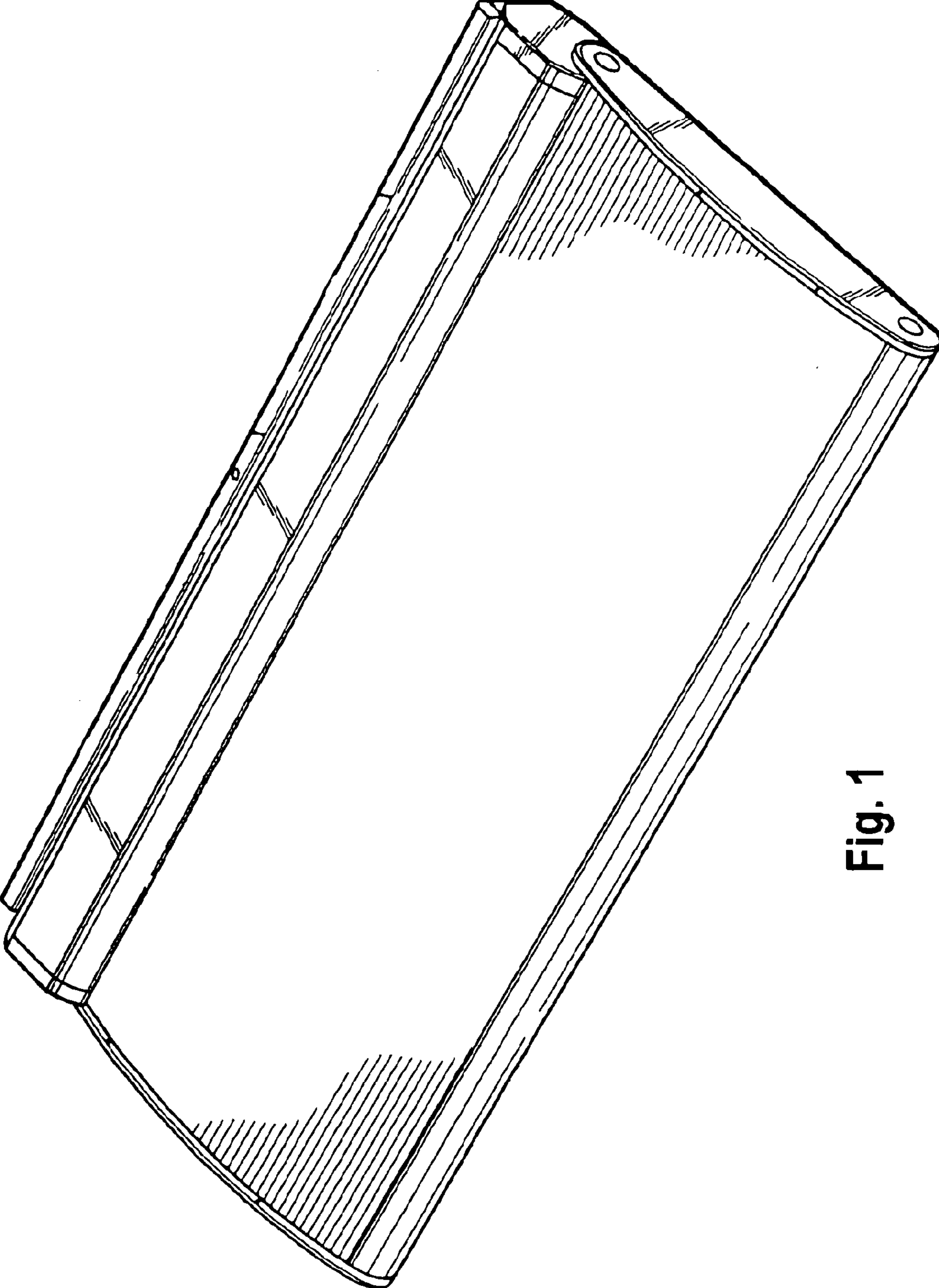


Fig. 1

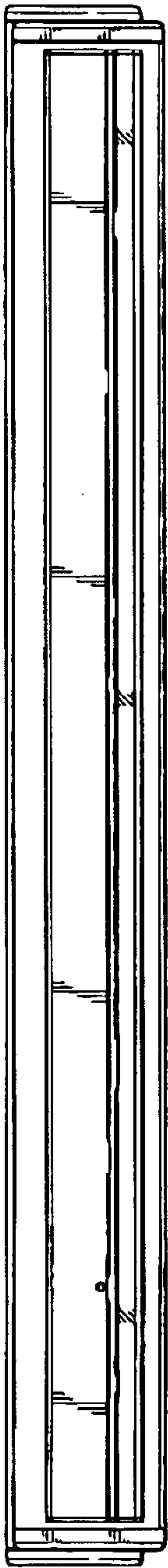


Fig. 2

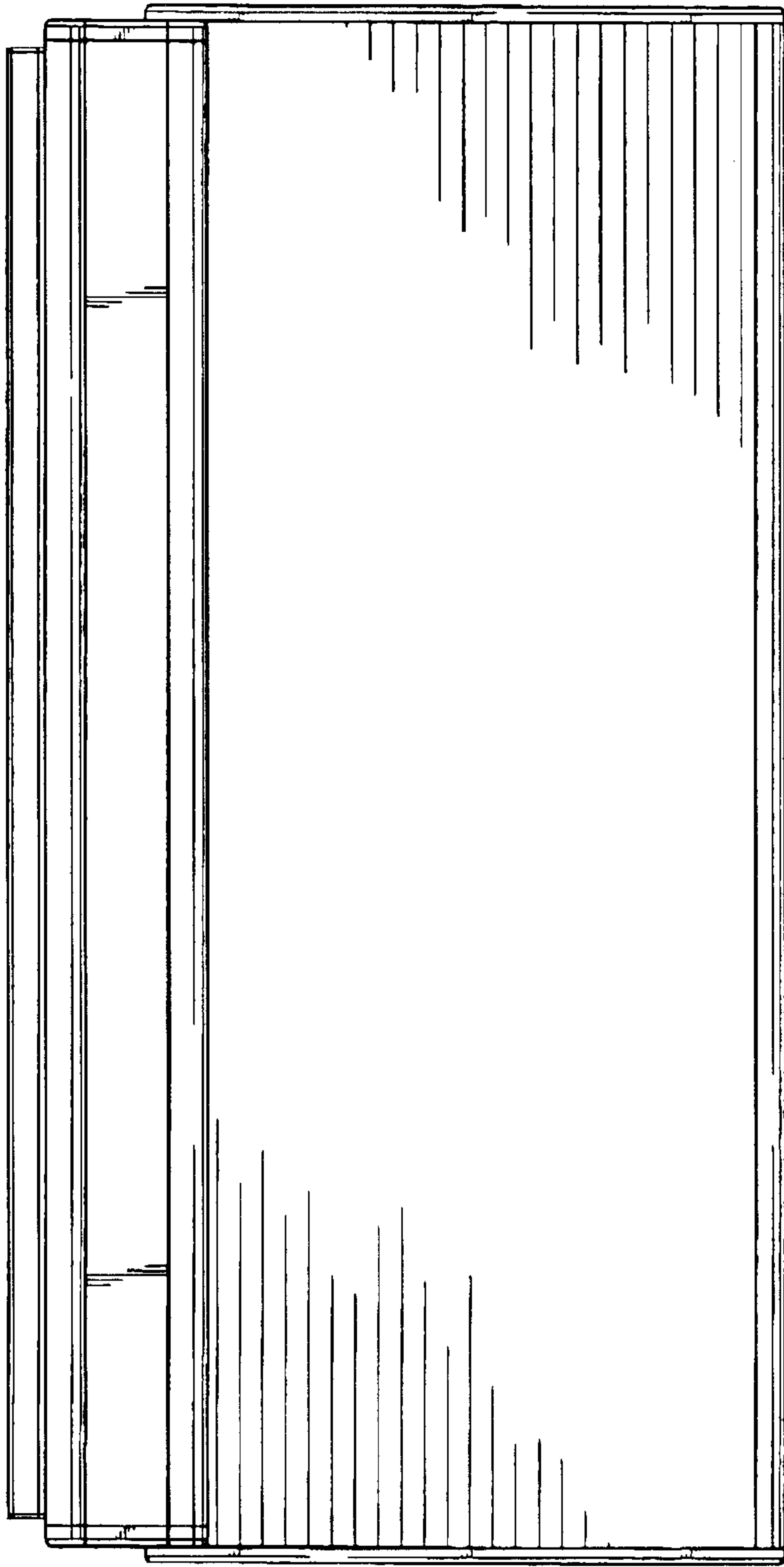


Fig. 6

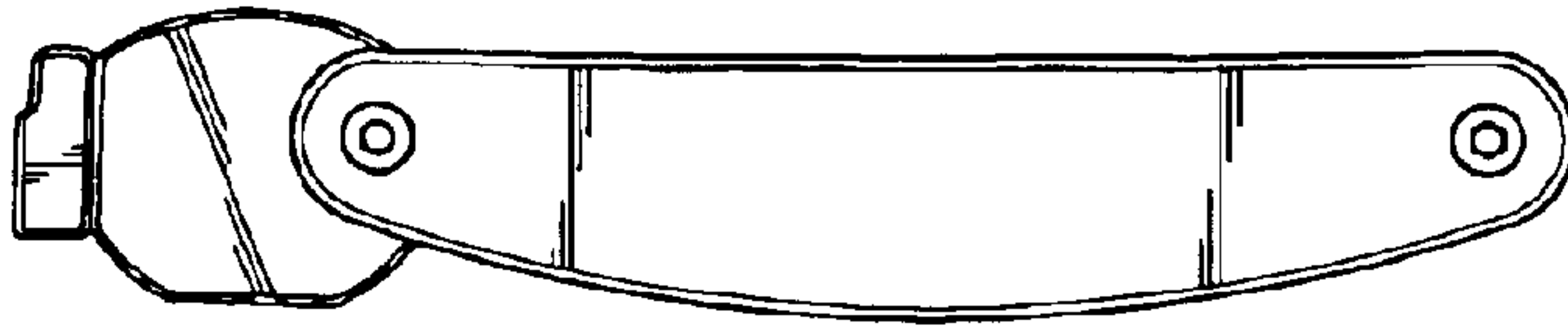


Fig. 4



Fig. 3

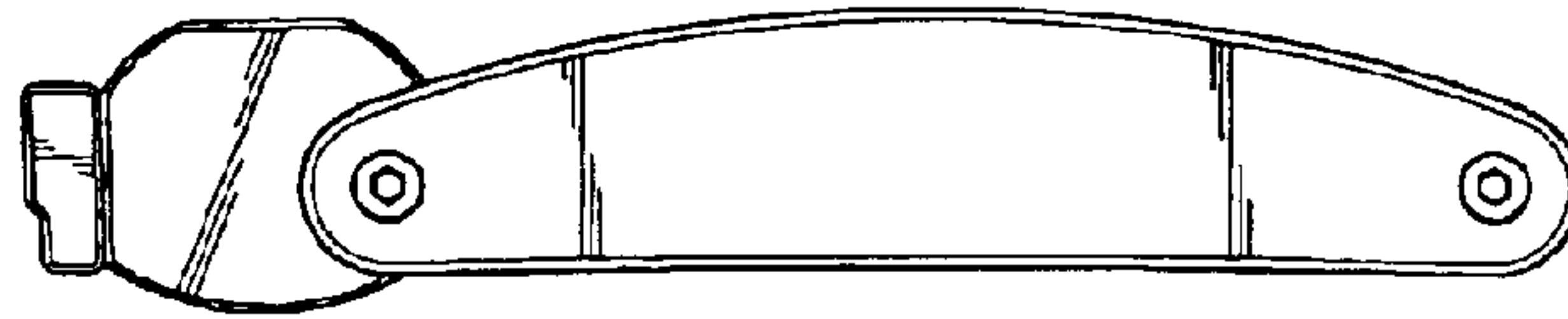


Fig. 5

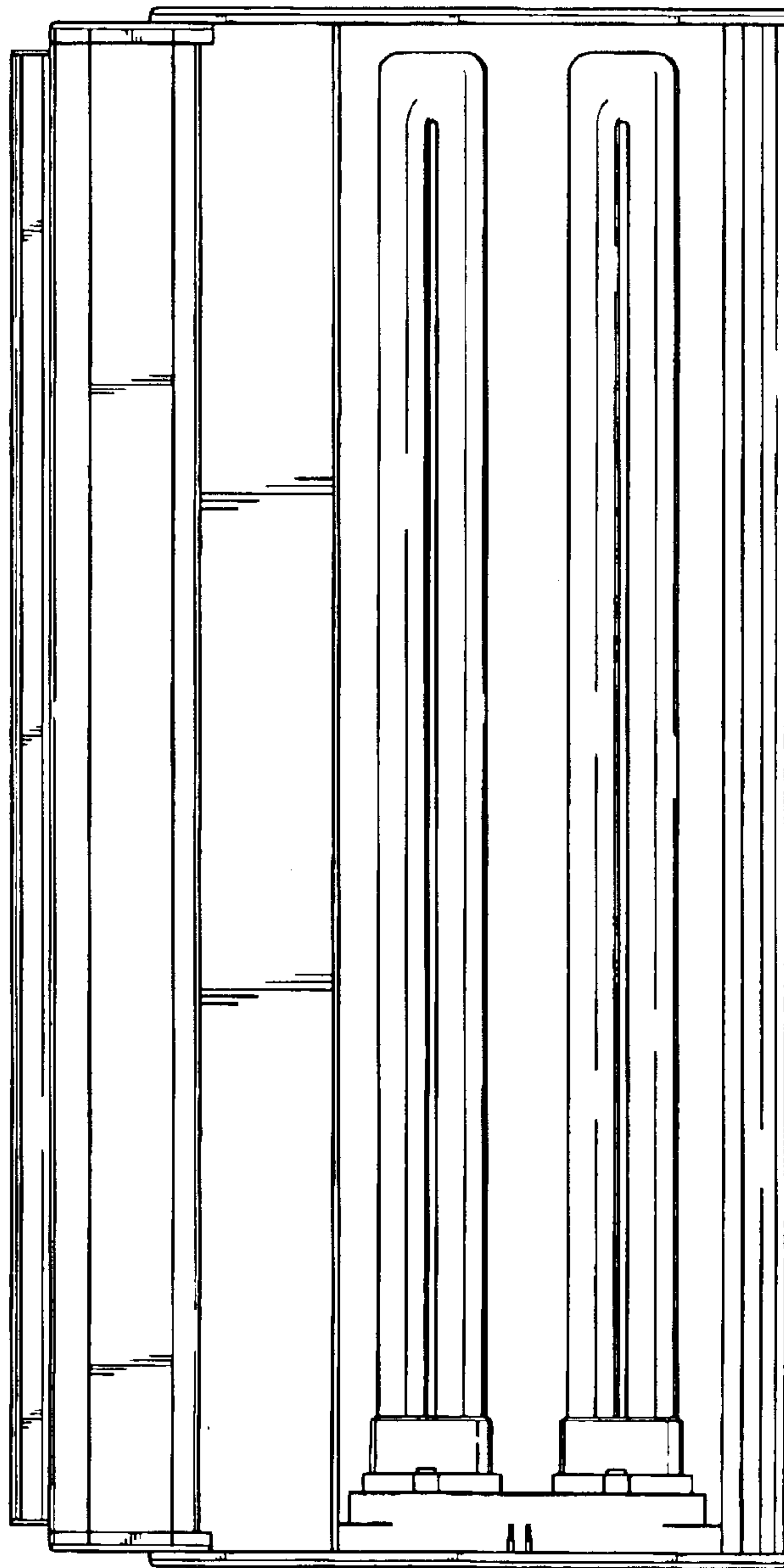


Fig. 7