

US00D496748S1

(12) **United States Design Patent** (10) **Patent No.:** **US D496,748 S**
Herst et al. (45) **Date of Patent:** **** Sep. 28, 2004**

(54) **LIGHTING FIXTURE**

(75) Inventors: **Douglas J. Herst**, Ross, CA (US);
Utkan Salman, Oakland, CA (US);
Michael Trung Tran, Oakland, CA (US)

(73) Assignee: **Acuity Brands, Inc.**, Atlanta, GA (US)

(**) Term: **14 Years**

(21) Appl. No.: **29/178,946**

(22) Filed: **Apr. 1, 2003**

Related U.S. Application Data

(63) Continuation-in-part of application No. 29/152,939, filed on Dec. 24, 2001, now Pat. No. Des. 472,667.

(51) **LOC (7) Cl.** **26-03**

(52) **U.S. Cl.** **D26/77; D26/118**

(58) **Field of Search** **D26/72, 75-79, D26/118; 362/217-225**

(56) **References Cited**

U.S. PATENT DOCUMENTS

D129,836 S	10/1941	Koegel	
2,401,635 A	* 6/1946	Guth	362/224
D148,695 S	* 2/1948	Guth et al.	D26/76
D153,313 S	* 4/1949	Phillips	D26/59
D168,812 S	* 2/1953	Ulrick	D26/67
D204,558 S	* 4/1966	Zeltz	D26/71
D377,231 S	* 1/1997	Degelmann	D26/77
D417,030 S	11/1999	Herst et al.	
D431,086 S	* 9/2000	Cole, Jr.	D26/76
D472,667 S	* 4/2003	Herst et al.	D26/76

OTHER PUBLICATIONS

Lightedge "Angular" product brochure/ Peerless Lighting Corporation ©2002. (2 pages).
Peerless Lighting Corporation, "Envision, Rounded V Indirect 8½×4" catalog, 1995.

Peerless Lighting Corporation, "Envision, 8×3 Rounded Indirect", catalog, 1996.

Peerless Lighting Corporation, Envision I/D 8"×3" Indirect/Direct, catalog, May 2000.

* cited by examiner

Primary Examiner—Clare E Heflin

(74) *Attorney, Agent, or Firm*—Donald L. Beeson

(57) **CLAIM**

The ornamental design for a lighting fixture, as shown and described.

DESCRIPTION

FIG. 1 is an enlarged fragmentary bottom perspective view of a lighting fixture showing our new design;

FIG. 2 is an enlarged fragmentary top perspective view thereof;

FIG. 3 is an enlarged end elevational view thereof;

FIG. 4 is a side elevational view thereof, the other side being a mirror image;

FIG. 5 is bottom plan view thereof;

FIG. 6 is a top plan view thereof;

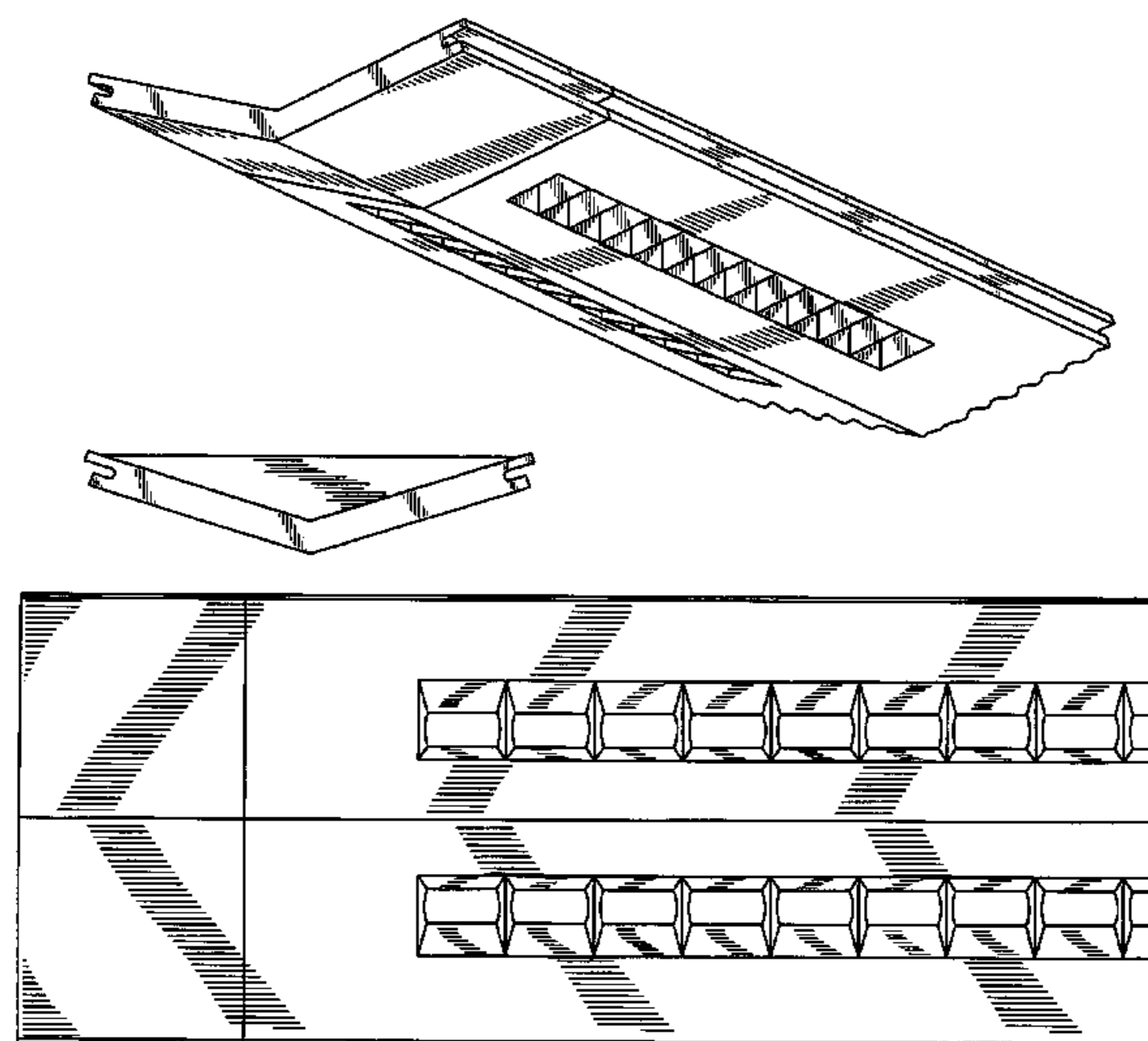
FIG. 7 is an enlarged fragmentary side elevational view thereof;

FIG. 8 is an enlarged fragmentary bottom plan view thereof; and,

FIG. 9 is an enlarged fragmentary top plan view thereof.

FIGS. 4-6 are broken away to indicate indeterminate length. The broken lines shown in FIGS. 2, 6 and 9 immediately adjacent the shaded areas represent the bounds of the claimed design, and all other broken lines shown in FIGS. 2, 6 and 9 are for illustrative purposes only. None of the broken lines form part of our claimed design.

1 Claim, 5 Drawing Sheets



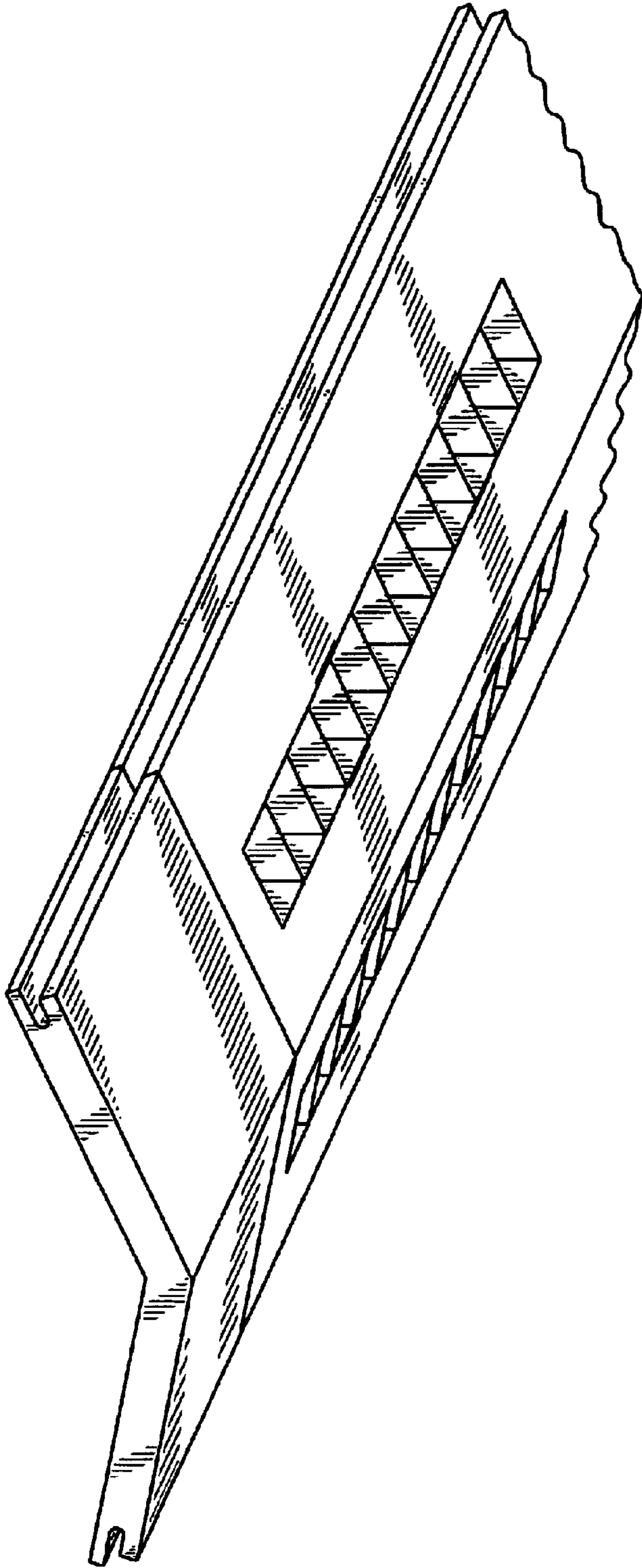


FIG. 1



FIG. 3

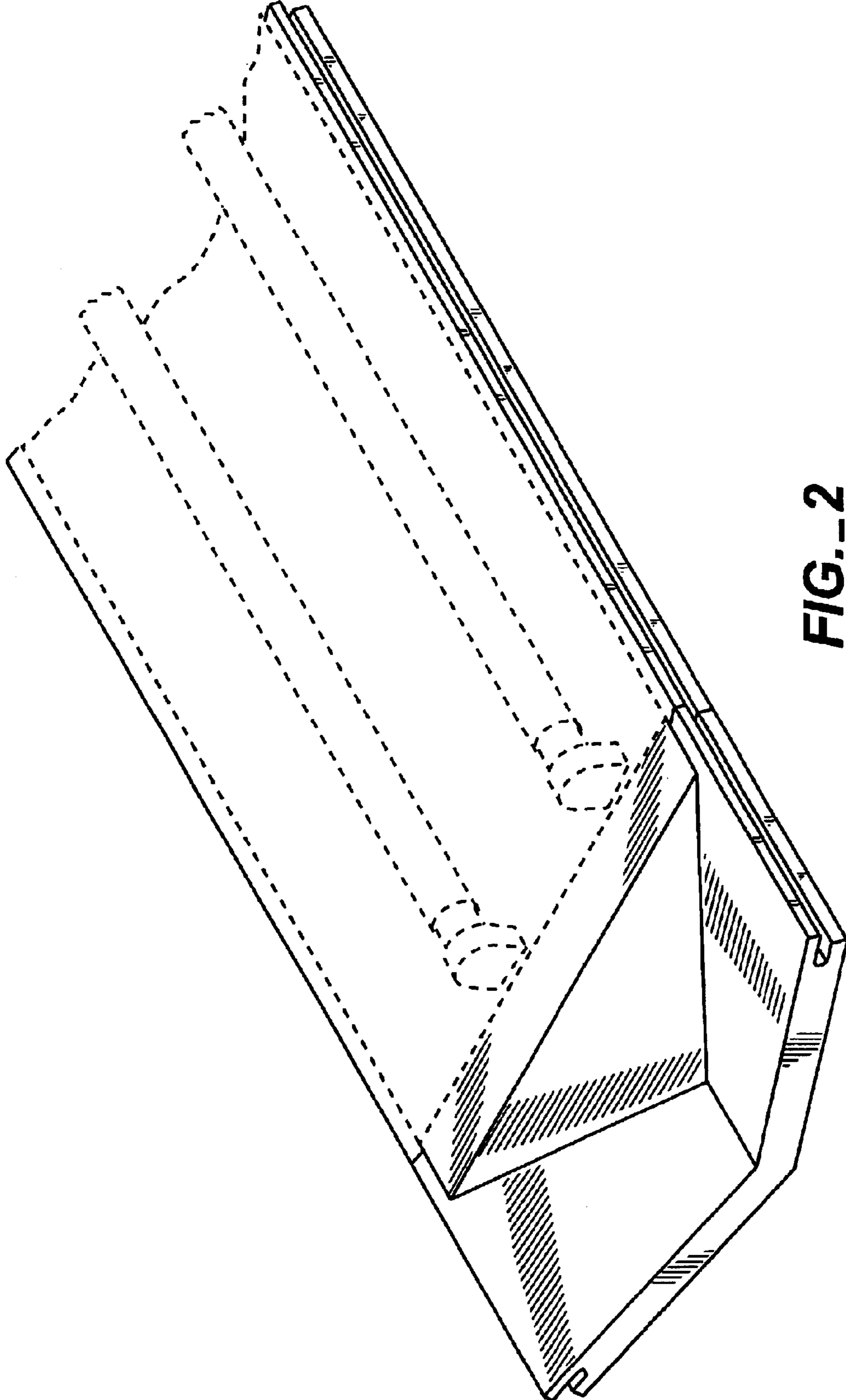


FIG. 2



FIG. 4

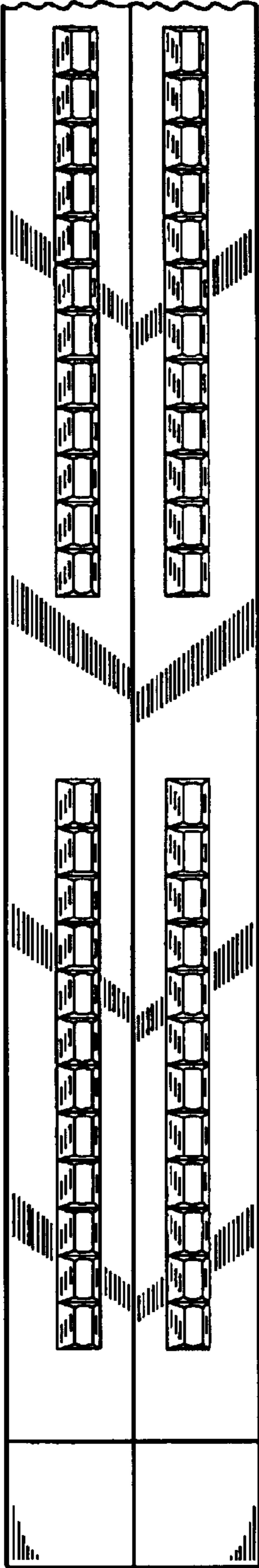


FIG. 5

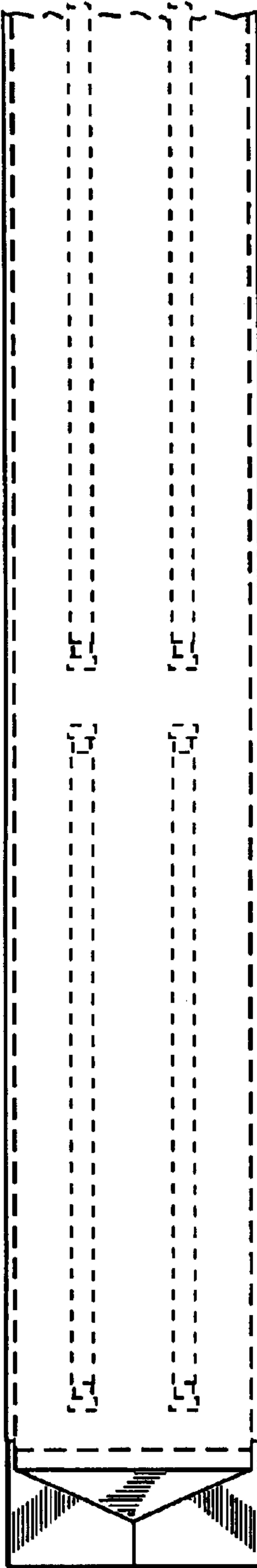


FIG. 6

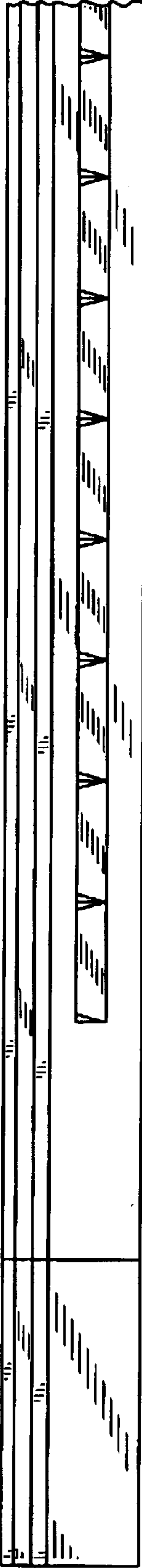


FIG. 7

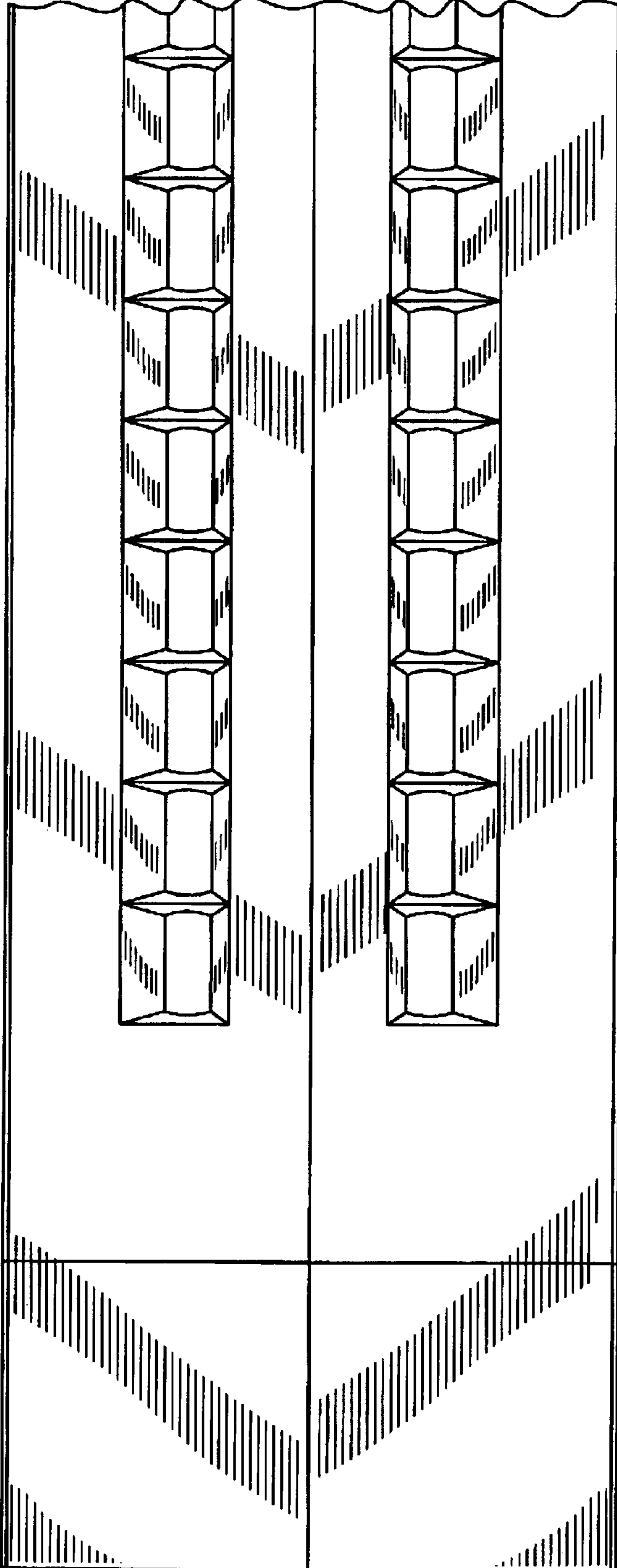


FIG. 8

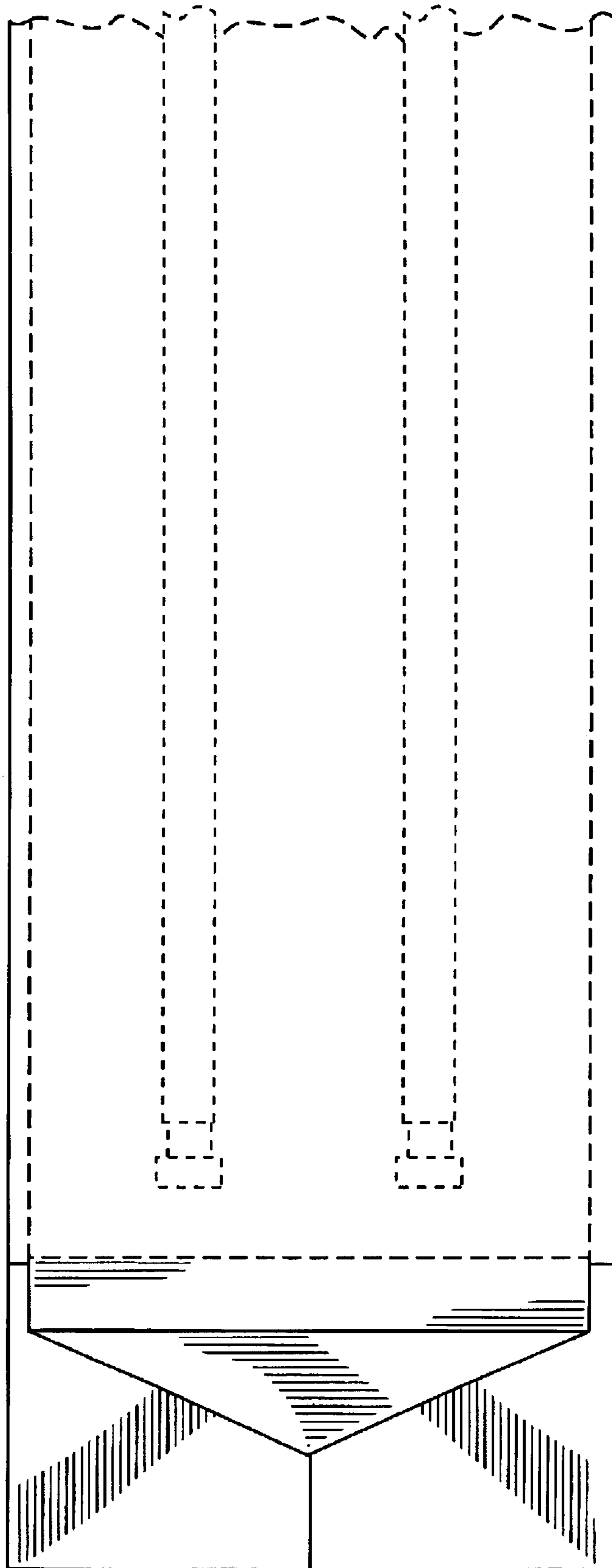


FIG. 9