



US00D496747S1

(12) **United States Design Patent** (10) **Patent No.:** **US D496,747 S**
Herst et al. (45) **Date of Patent:** **** Sep. 28, 2004**

(54) **LIGHTING FIXTURE**

Lightedge Product Brochure, Curved, Peerless Lighting Corp., 2002.

(75) Inventors: **Douglas J. Herst**, Ross, CA (US);
Utkan Salman, Oakland, CA (US)

* cited by examiner

(73) Assignee: **Acuity Brands, Inc.**, Atlanta, GA (US)

Primary Examiner—Clare E Heflin

(**) Term: **14 Years**

(74) *Attorney, Agent, or Firm*—Donald L. Beeson

(21) Appl. No.: **29/194,689**

(57) **CLAIM**

(22) Filed: **Nov. 26, 2003**

The ornamental design for a lighting fixture, as shown and described.

(51) **LOC (7) Cl.** **26-03**

(52) **U.S. Cl.** **D26/76; D26/118**

(58) **Field of Search** **D26/72, 75-79,**
D26/118; 362/217-225

DESCRIPTION

(56) **References Cited**

U.S. PATENT DOCUMENTS

D192,878 S	*	5/1962	Muller	D26/76
D208,572 S	*	9/1967	Wakefield	D26/76
D308,259 S	*	5/1990	Burkarth	D26/78
D428,508 S	*	7/2000	Irvine	D26/76
D434,167 S	*	11/2000	Foster	D26/76
D472,665 S		4/2003	Herst et al.		
D472,666 S		4/2003	Herst et al.		
D472,667 S		4/2003	Herst et al.		
D472,668 S		4/2003	Herst et al.		
D473,007 S		4/2003	Herst et al.		
D481,820 S	*	11/2003	Watt	D26/77

OTHER PUBLICATIONS

Printout of Web page from Zumtobelstaff.com, Zumtobel Staff, GmbH, Oct. 2002 or earlier.
Lightedge Product Brochure, Angular, Peerless Lighting Corp., 2002.

FIG. 1 is a bottom perspective view of a lighting fixture showing our new design;

FIG. 2 is a top perspective view thereof;

FIG. 3 is a bottom plan view thereof;

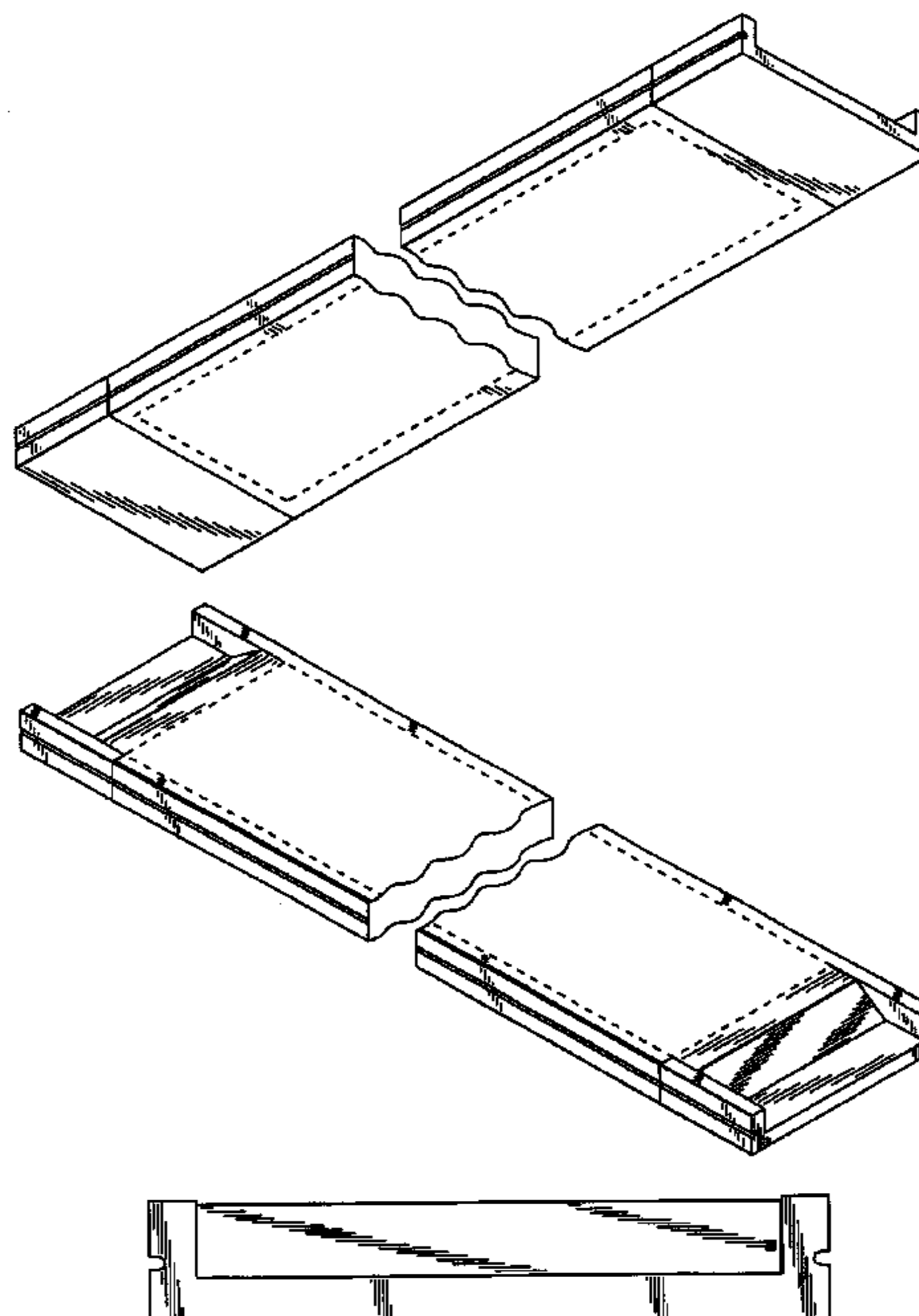
FIG. 4 is a side elevational view thereof, the other side being a mirror image;

FIG. 5 is a top plan view thereof; and,

FIG. 6 is an enlarged end elevational view thereof, the other end being a mirror image.

FIGS. 1-5 are broken away to indicate indeterminate length. The broken lines immediately adjacent the shaded areas in FIGS. 1-3 and 5 represent the bounds of the claimed design; the region within these broken lines forms no part of our claimed design.

1 Claim, 2 Drawing Sheets



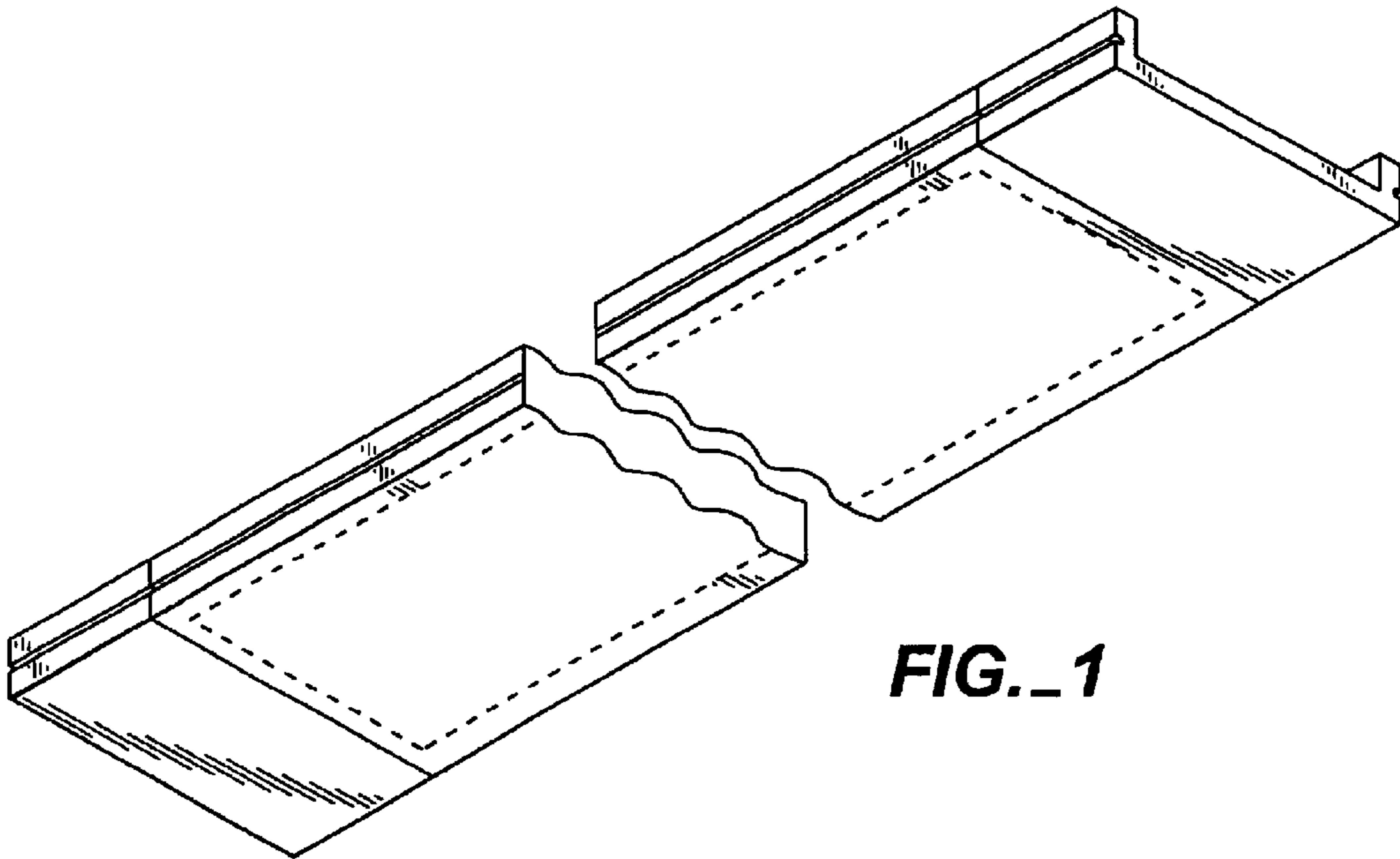


FIG. 1

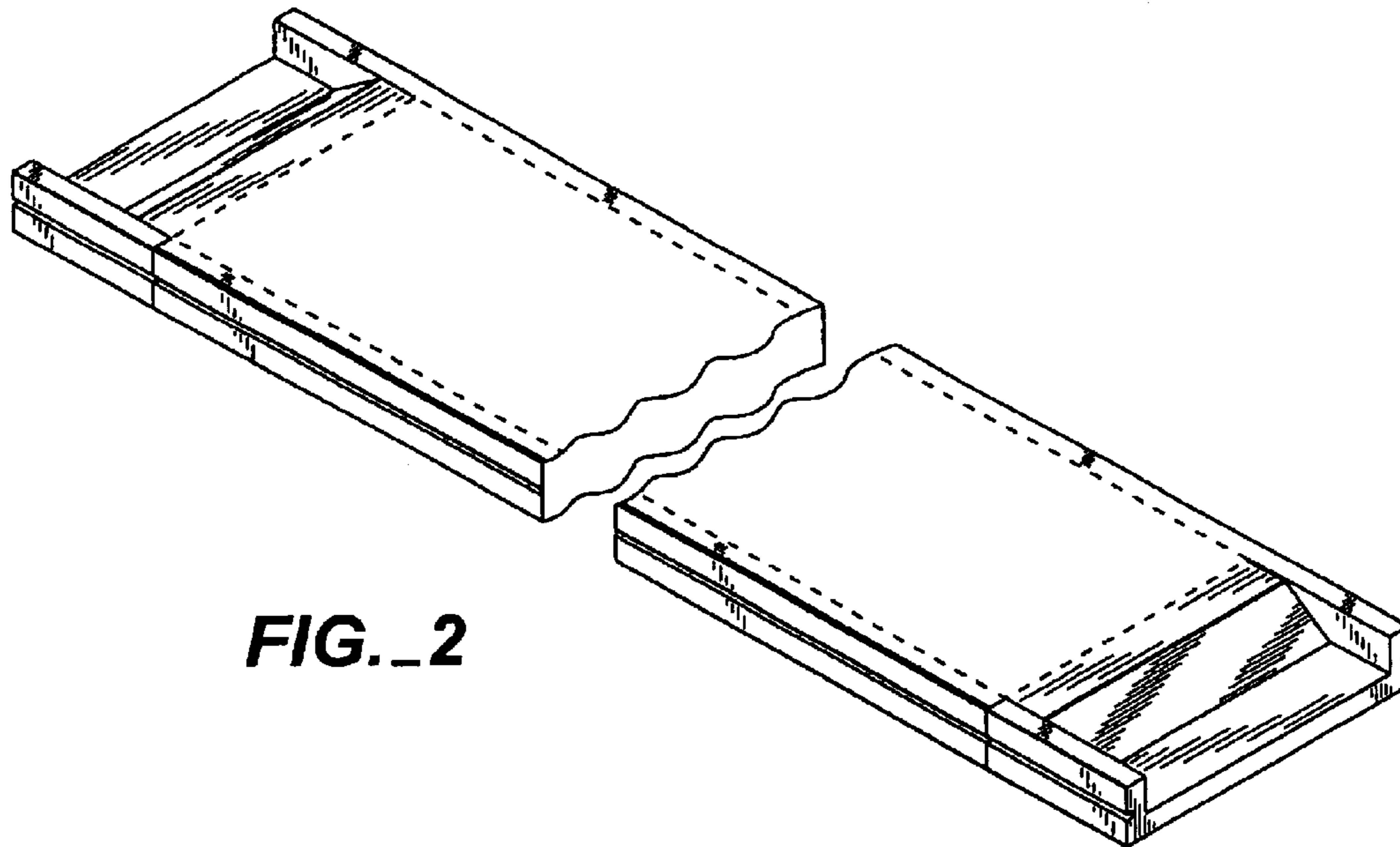


FIG. 2

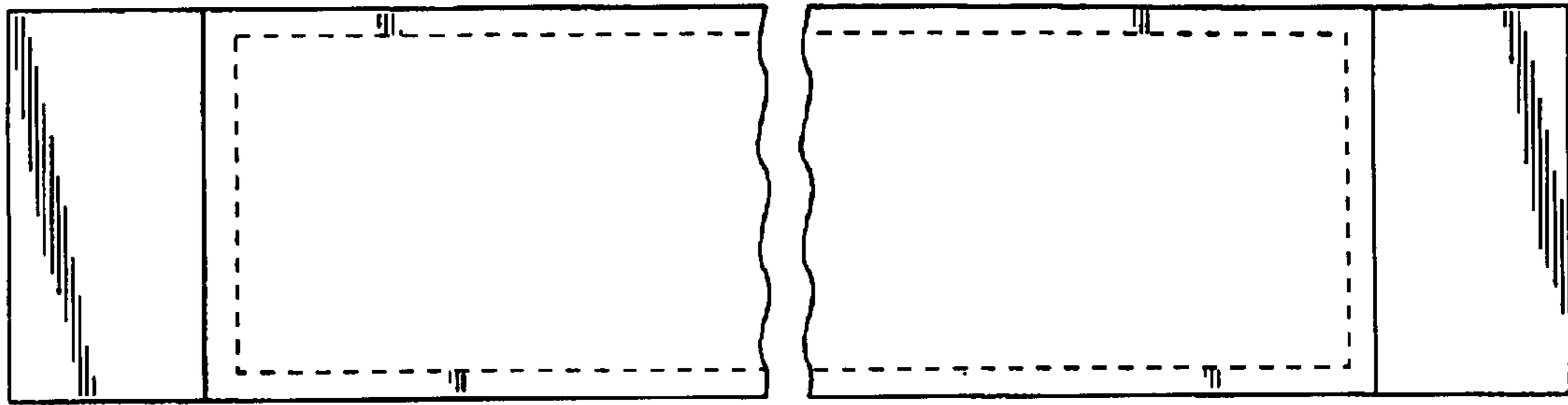


FIG._3



FIG._4

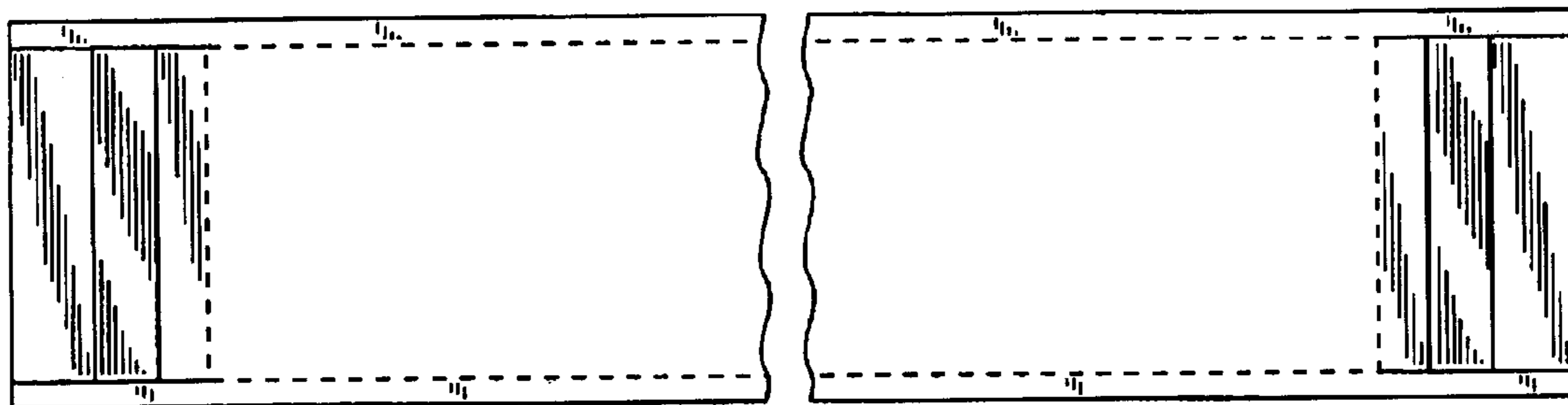


FIG._5

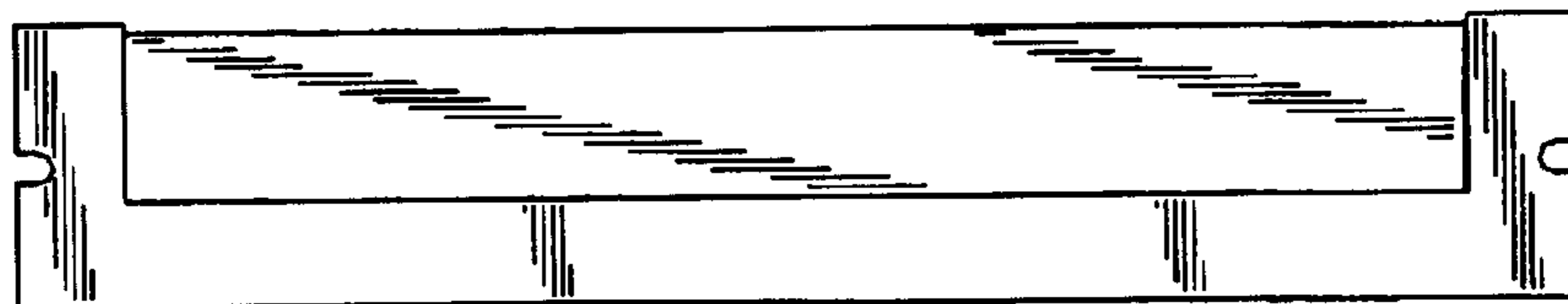


FIG._6