



US00D496744S1

(12) **United States Design Patent**
Smith et al.

(10) **Patent No.: US D496,744 S**
(45) **Date of Patent: ** Sep. 28, 2004**

(54) **LIGHT FIXTURE**

DESCRIPTION

(76) Inventors: **Carroll W. Smith**, 1093 Shotgun Rd., Sunrise, FL (US) 33326; **Derek J. Nash**, 1093 Shotgun Rd., Sunrise, FL (US) 33326; **Ruben Villarreal**, 1093 Shotgun Rd., Sunrise, FL (US) 33326

FIG. 1 is a right side elevational view of a light fixture showing our new design;

FIG. 2 is a left side elevational view of the light fixture illustrated in FIG. 1;

(**) Term: **14 Years**

FIG. 3 is a front elevational view of the light fixture illustrated in FIGS. 1-2;

(21) Appl. No.: **29/181,943**

FIG. 4 is a rear elevational view of the light fixture illustrated in FIGS. 1-3;

(22) Filed: **May 19, 2003**

Related U.S. Application Data

FIG. 5 is a top plan view of the light fixture illustrated in FIGS. 1-4; and,

(62) Division of application No. 29/150,040, filed on Nov. 1, 2001.

FIG. 6 is a perspective view of the light fixture illustrated in FIGS. 1-5.

(51) **LOC (7) Cl.** **26-05**

The bottom plan view of the design disclosed in FIGS. 1-6 may be substantially unornamented.

(52) **U.S. Cl.** **D26/63**; 362/283; 362/811

(58) **Field of Search** D16/221, 225;
D26/60, 63; 362/231, 280, 283, 284, 285,
374, 375, 811

The embodiments shown in FIGS. 1-6 discloses an entire light fixture. This embodiment has been shown in this way for the purposes of simplicity. The inventors anticipate that the invention can be any part, portion, element or combination of elements of the disclosed design. For example, the inventors anticipate that the base, elevated portion of the light fixture or portions thereof may be separately protected inventions. The inventors reserve the right to limit this application to any portion or element of the disclosed design. Furthermore, the inventors also reserve the right to file continuation or divisional applications to protect any of these portions or elements of the disclosed design.

(56) **References Cited**

U.S. PATENT DOCUMENTS

D118,671 S *	1/1940	Mielziner	D26/63
3,179,791 A *	4/1965	Mole	362/283
4,974,133 A *	11/1990	Fujiki	362/283
D346,234 S *	4/1994	Sammis	D26/60
D439,356 S *	3/2001	Martinson et al.	D26/63
6,491,415 B2 *	12/2002	Orellana	362/375

* cited by examiner

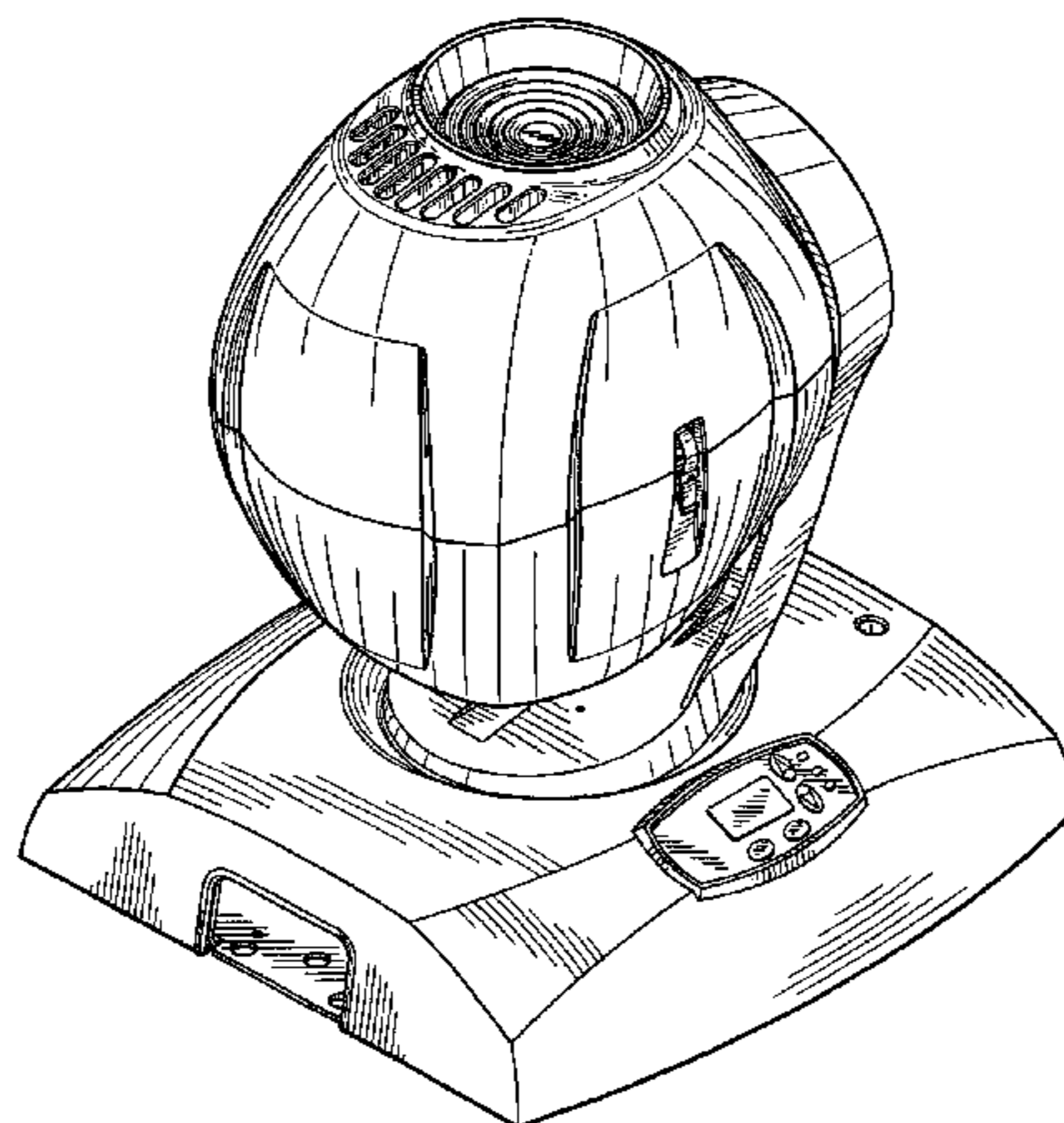
The control panel, switches, nobs, ports, screws, screw holes and other holes may be either (1) removed in the formal drawings and replaced with a continuation of the material which is immediately adjacent thereto, or (2) shown in phantom lines, in the formal drawings without departing from the design disclosed.

Primary Examiner—Adir Aronovich
(74) *Attorney, Agent, or Firm*—Roylance, Abrams, Berdo & Goodman L.L.P.

(57) **CLAIM**

The ornamental design for a light fixture, as shown and described.

1 Claim, 6 Drawing Sheets



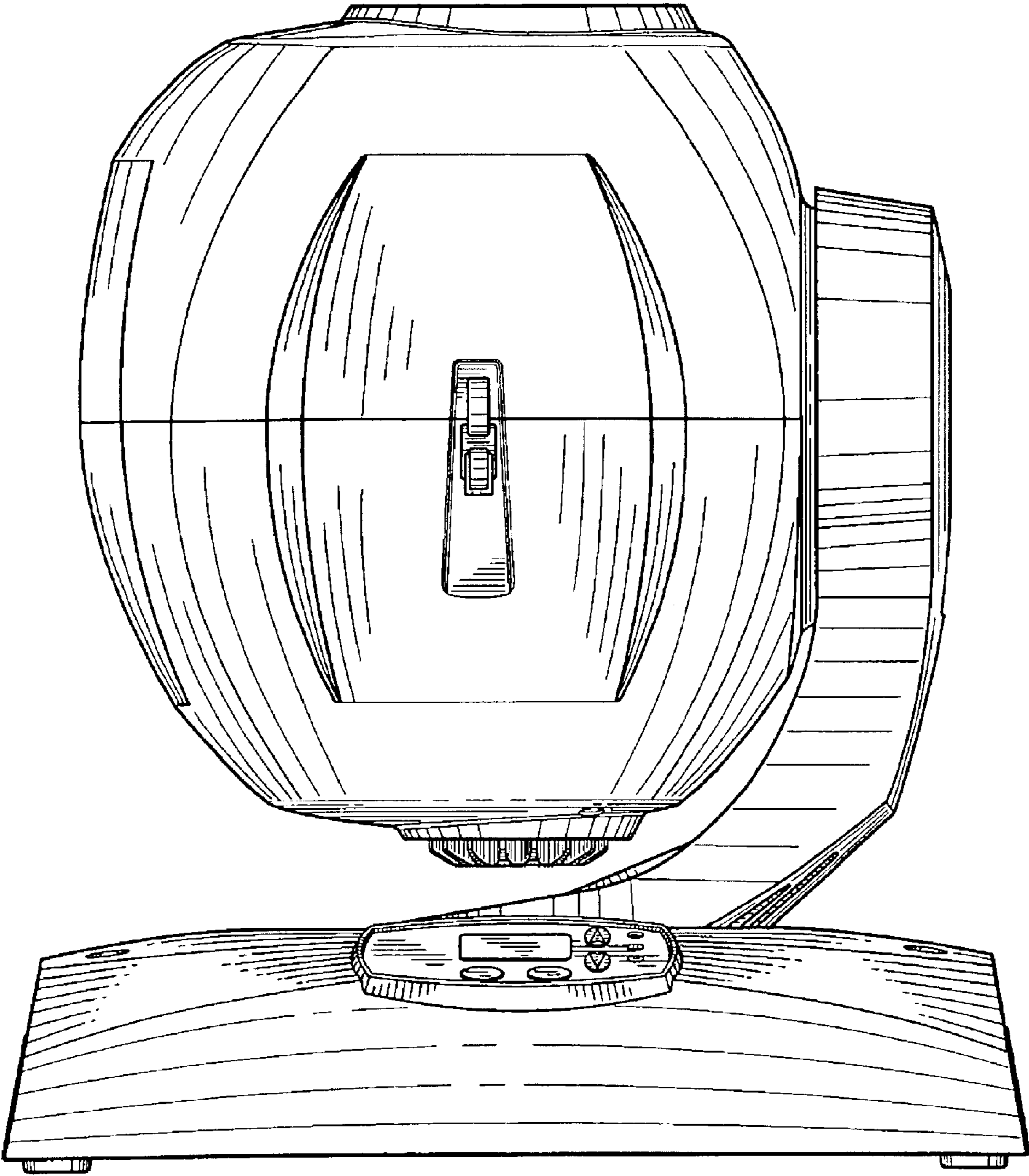


Fig. 1

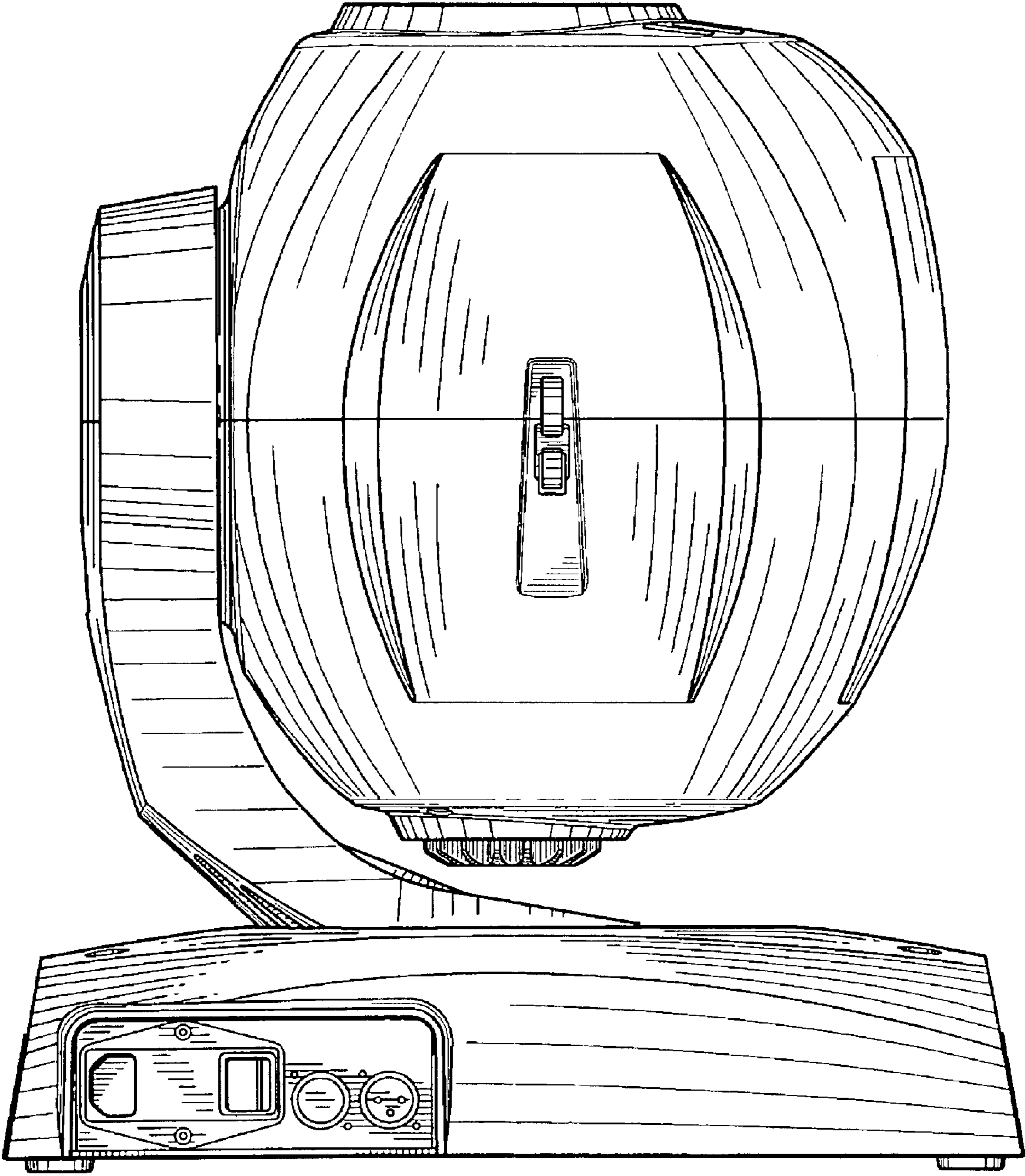


Fig. 2

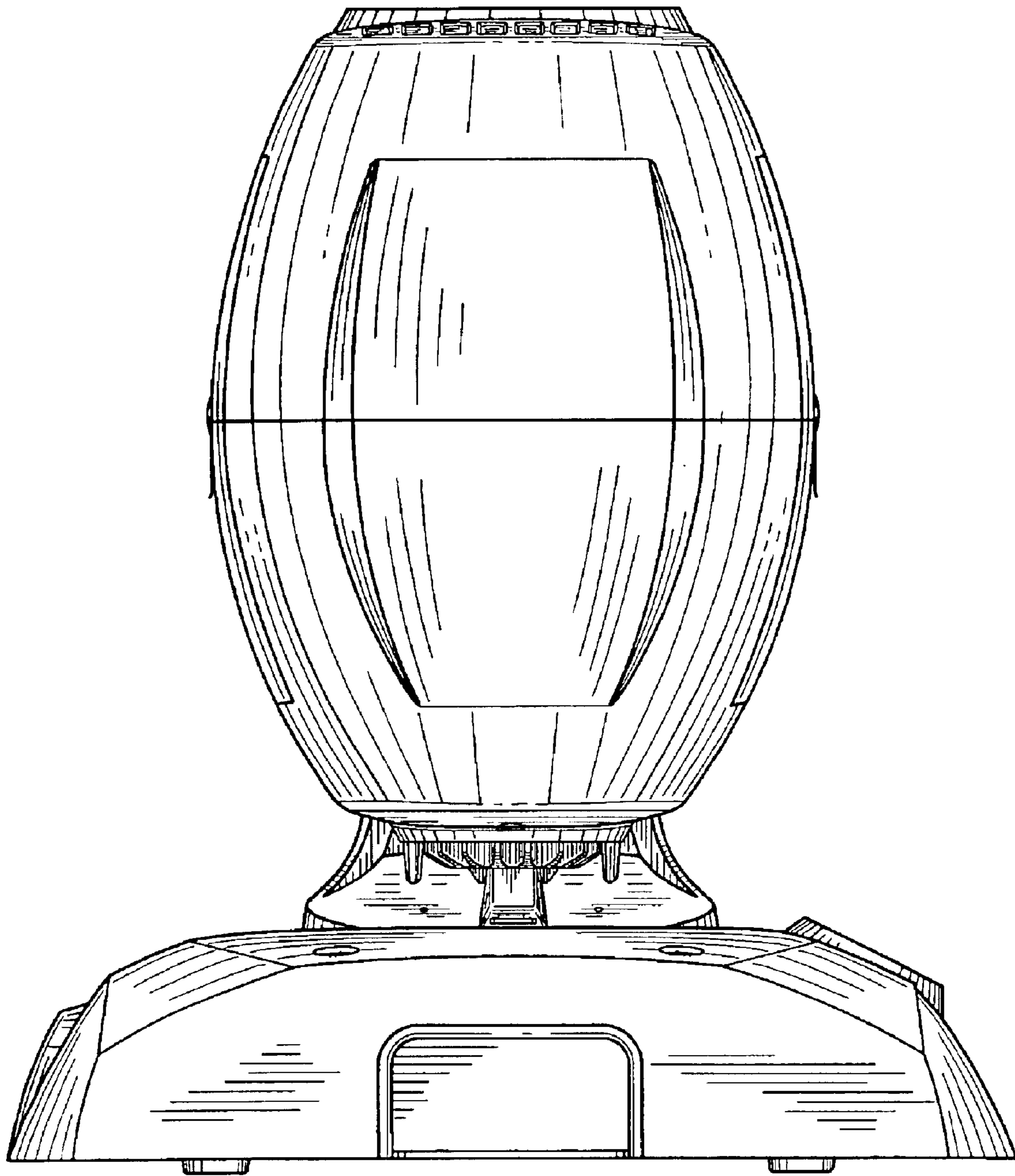


Fig. 3

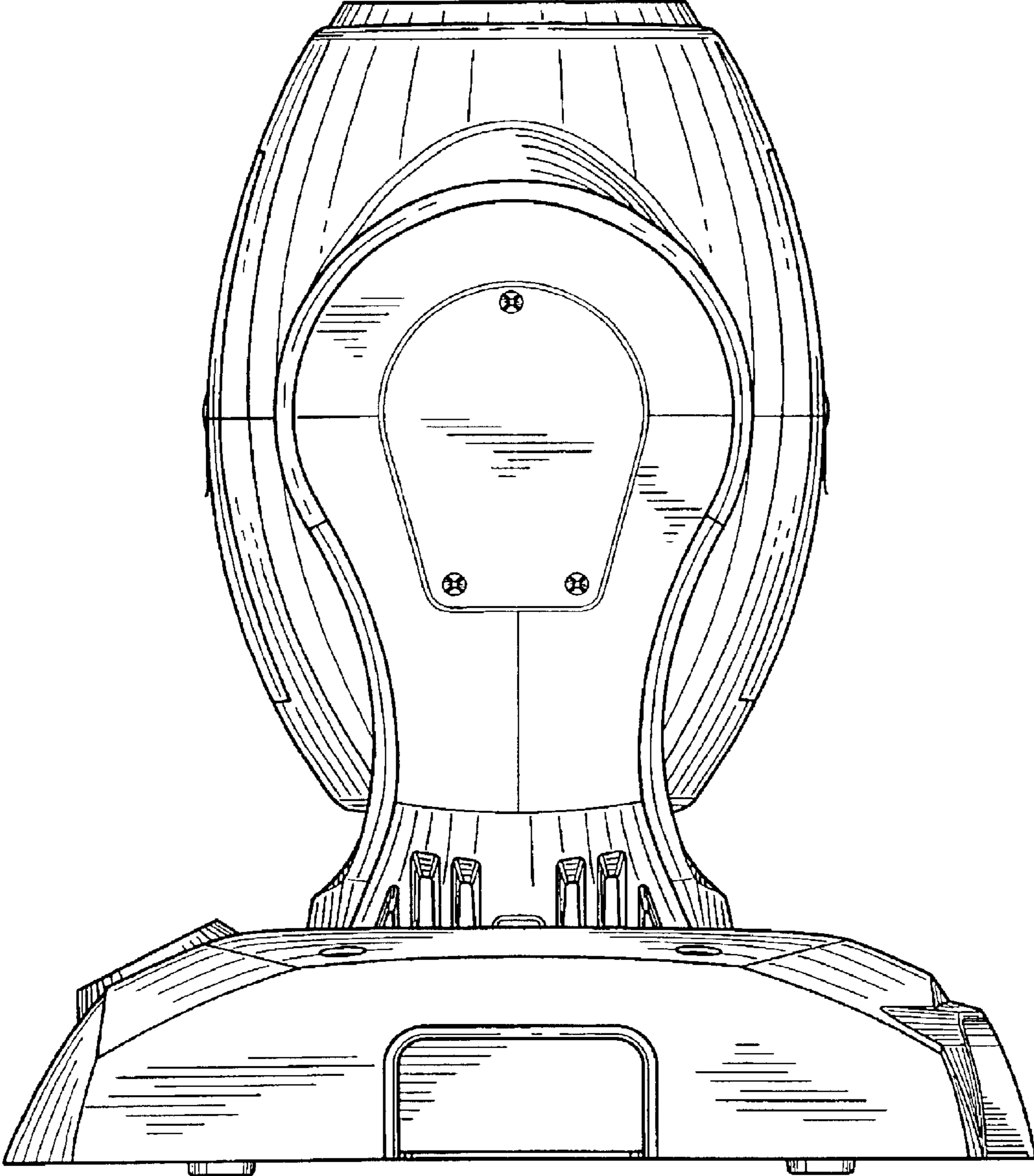


Fig. 4

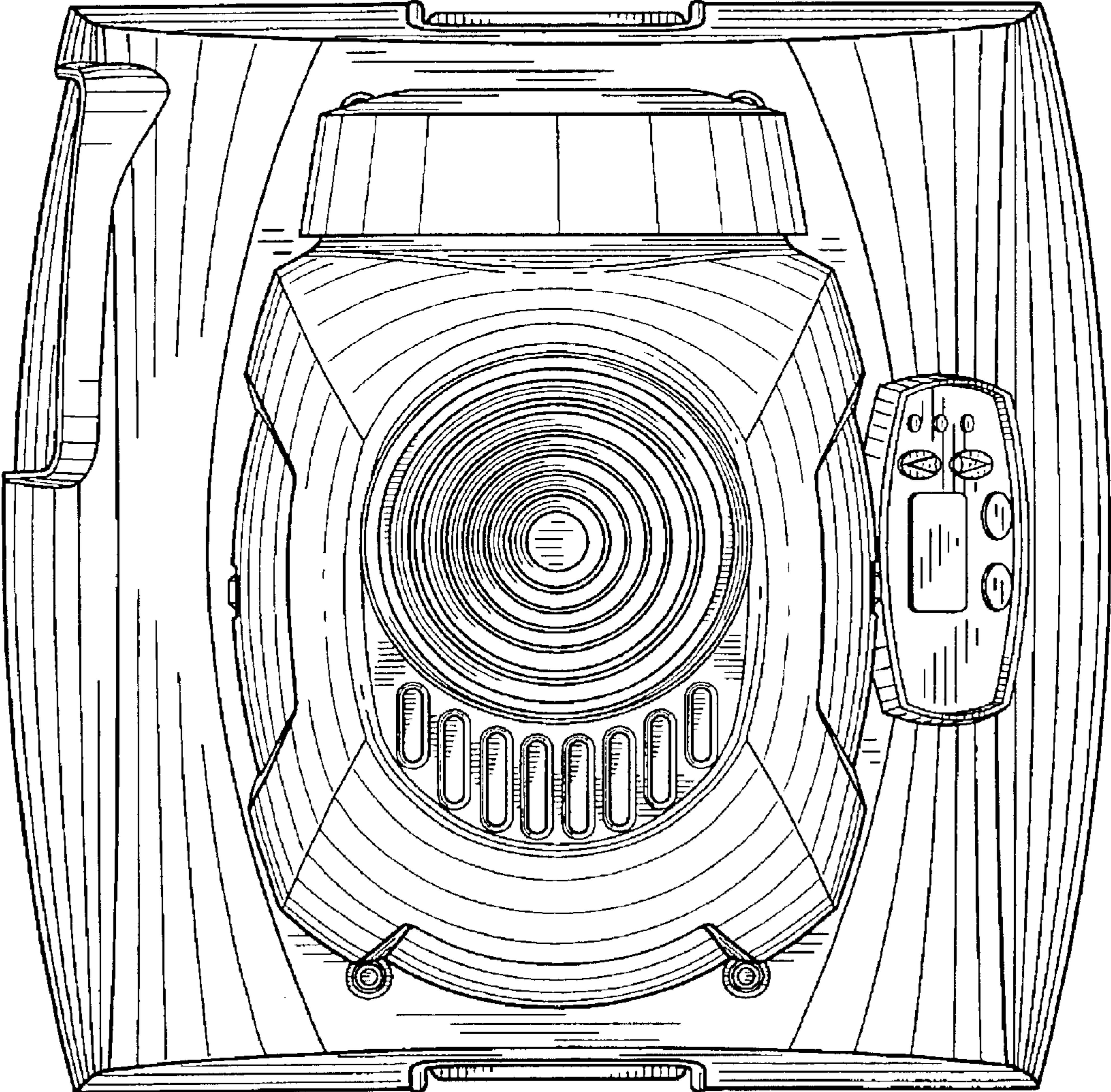


Fig. 5

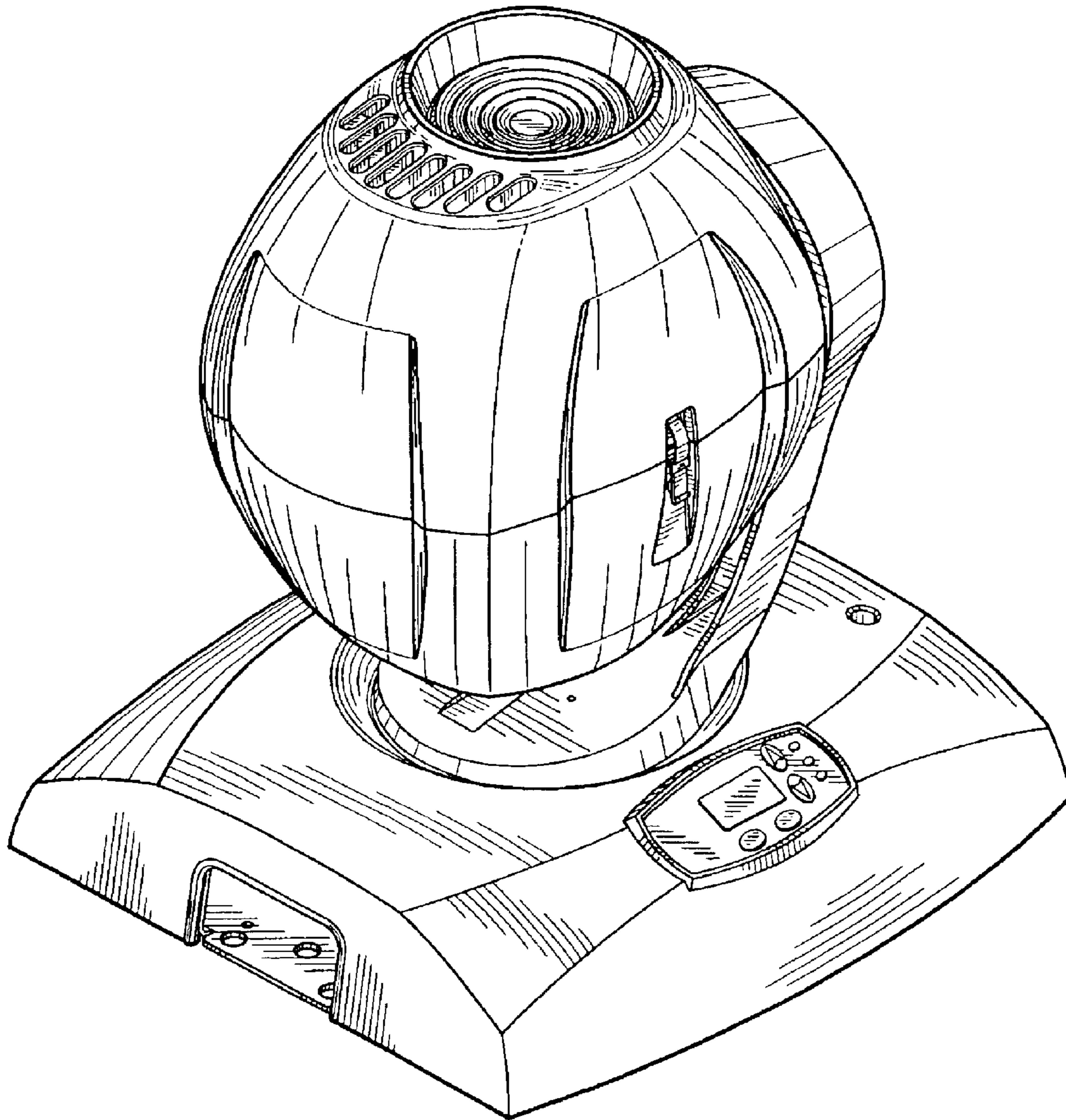


Fig. 6