

US00D496743S1

(12) **United States Design Patent**
Franson

(10) **Patent No.:** **US D496,743 S**

(45) **Date of Patent:** **** Sep. 28, 2004**

(54) **WINDOW COMPONENT EXTRUSION**

Mikron Part No. 8430; First Drawn: Mar. 26, 2001; First Sold: Dec. 9, 2001.

(76) Inventor: **Jeffrey R. Franson**, 21629 SE. 239th St., Maple Valley, WA (US) 98038

* cited by examiner

(**) Term: **14 Years**

(21) Appl. No.: **29/196,075**

Primary Examiner—Doris Clark

(22) Filed: **Dec. 19, 2003**

(74) *Attorney, Agent, or Firm*—Black Lowe & Graham PLLC

(51) **LOC (7) Cl.** **25-01**

(52) **U.S. Cl.** **D25/124**

(58) **Field of Search** D25/124, 125;
52/204.1, 204.5; 49/DIG. 2, 504

(57) **CLAIM**

The ornamental design for a window component extrusion, as shown and described.

(56) **References Cited**

DESCRIPTION

U.S. PATENT DOCUMENTS

D375,803 S	11/1996	Oliver	D25/124
D448,094 S	9/2001	Cole	D25/124
D453,381 S	* 2/2002	Ballard et al.	D25/124

OTHER PUBLICATIONS

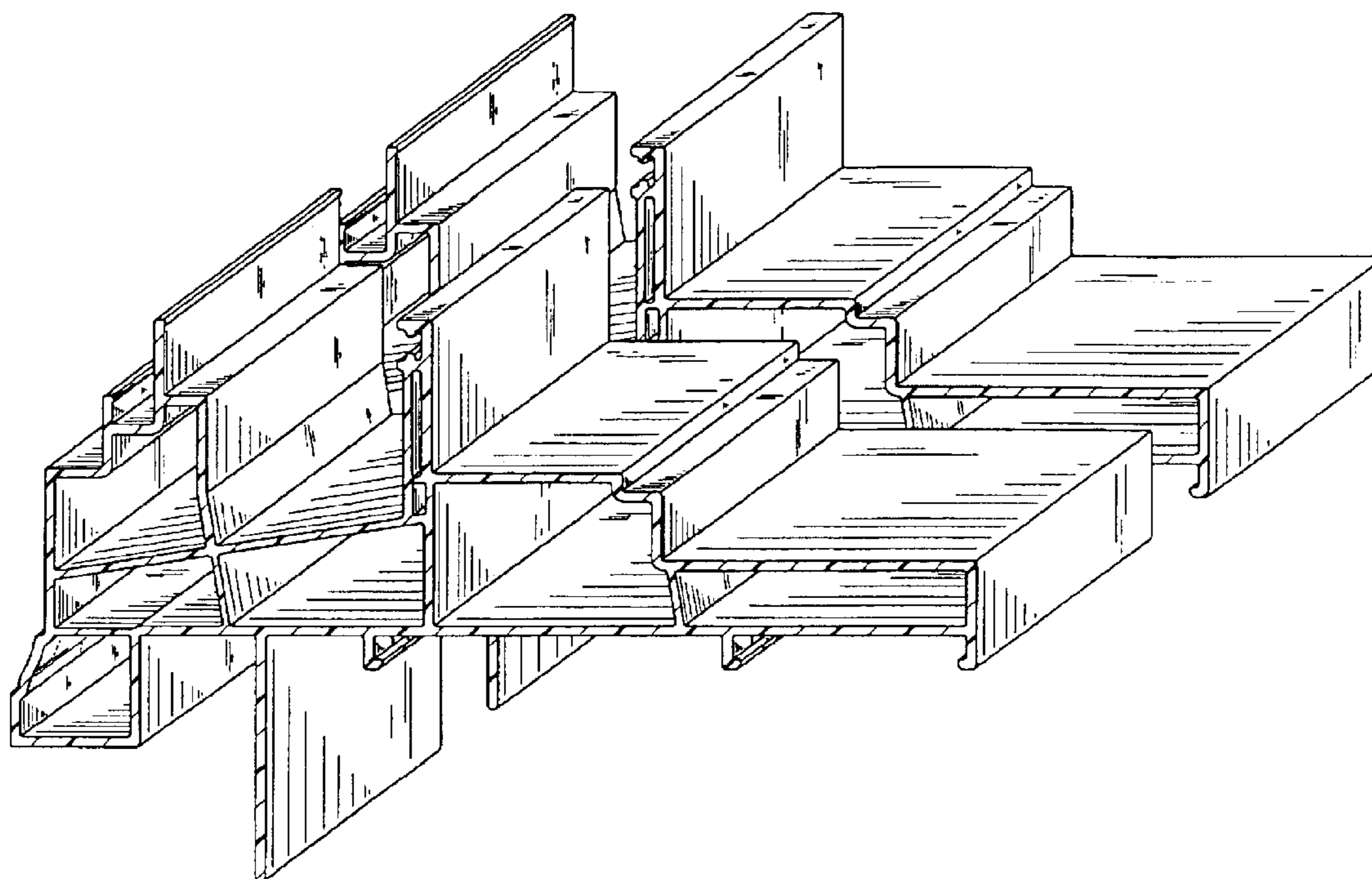
Lorane Goss, Mikron Part No. 7919; First Drawn: Feb. 5, 1999; First Sold: Jul. 19, 1999.

Douglas L. Cole, Mikron Part No. 8088; First Drawn: Feb. 14, 2000; First Sold: May 21, 2000.

FIG. 1 is a top right perspective view of the window component extrusion which is broken in the center indicating indefinite length; and,

FIG. 2 is a bottom left perspective view of the window component extrusion shown in FIG. 1.

1 Claim, 1 Drawing Sheet



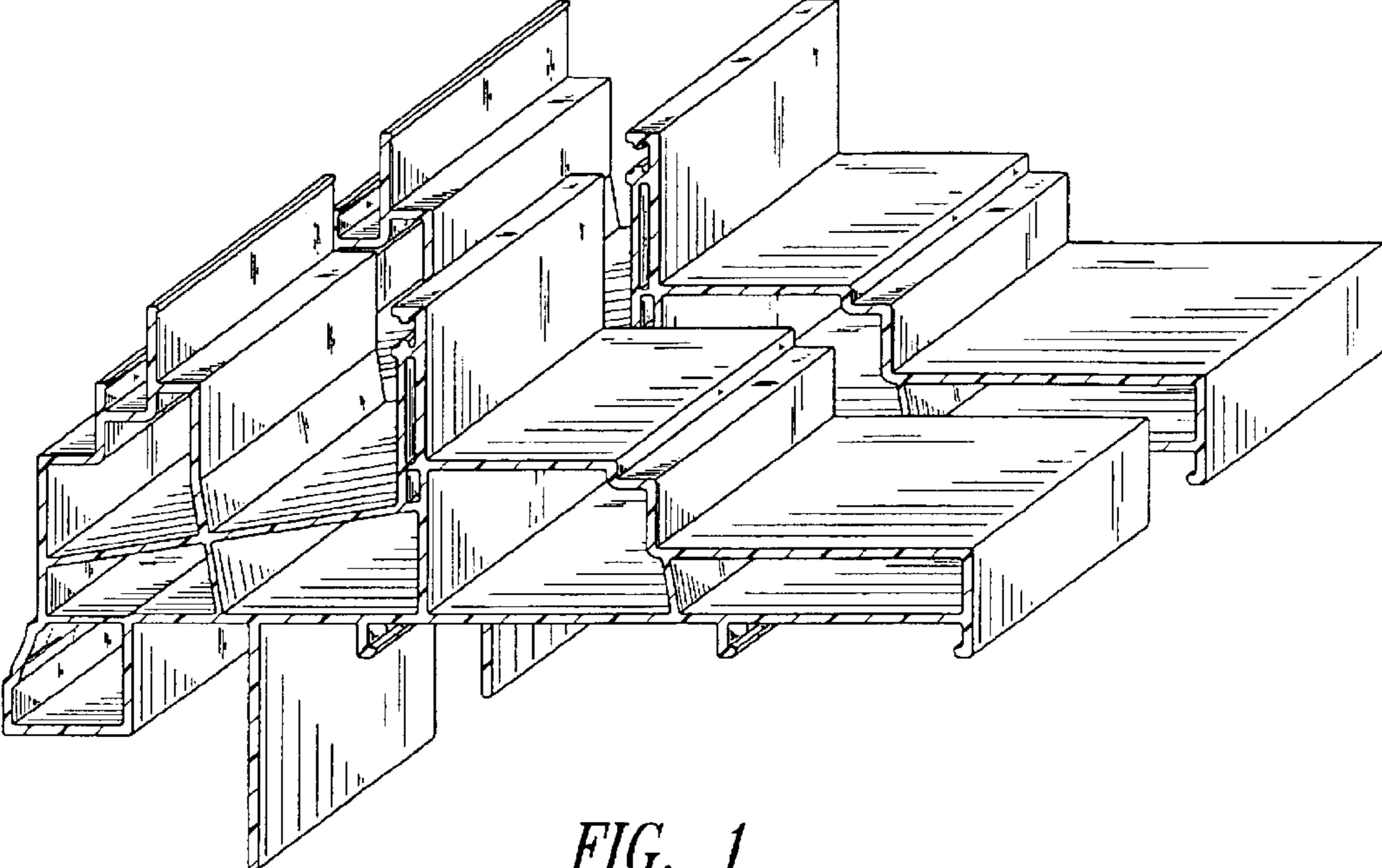


FIG. 1

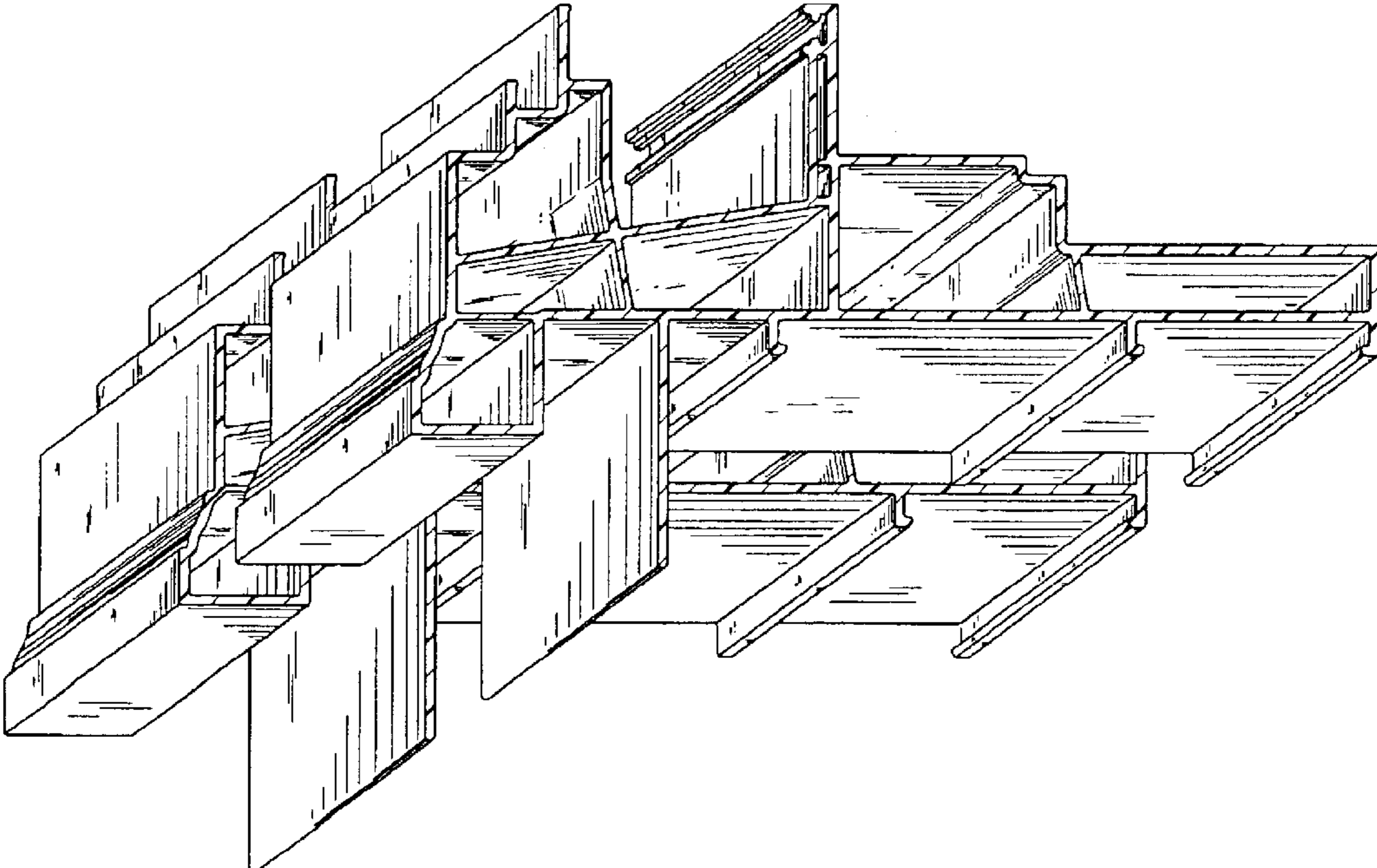


FIG. 2