

US00D496742S1

(12) **United States Design Patent**
Franson

(10) **Patent No.: US D496,742 S**

(45) **Date of Patent: ** Sep. 28, 2004**

(54) **WINDOW COMPONENT EXTRUSION**

(75) **Inventor: Jeffrey R. Franson, Maple Valley, WA (US)**

(73) **Assignee: Mikron Industries, Inc., Kent, WA (US)**

(**) **Term: 14 Years**

(21) **Appl. No.: 29/195,278**

(22) **Filed: Dec. 8, 2003**

(51) **LOC (7) Cl. 25-01**

(52) **U.S. Cl. D25/124**

(58) **Field of Search D25/124-125;
52/204.1, 204.5; 49/DIG. 2, 504**

(56) **References Cited**

U.S. PATENT DOCUMENTS

D364,474 S	11/1995	Goss, Jr.	D25/125
D375,562 S	11/1996	Oliver	D25/124
D385,971 S	11/1997	Franson	D25/124
D451,210 S	* 11/2001	Ballard et al.	D25/124

OTHER PUBLICATIONS

Jeffrey R. Franson, Mikron Part No. 8364, First Drawn: Jan. 11, 2001; First Sold: May 14, 2001.

Mikron Part No. 8429, First Drawn: Mar. 26, 2001; First Sold: Dec. 3, 2001.

* cited by examiner

Primary Examiner—Doris Clark

(74) *Attorney, Agent, or Firm*—Black Lowe & Graham PLLC

(57) **CLAIM**

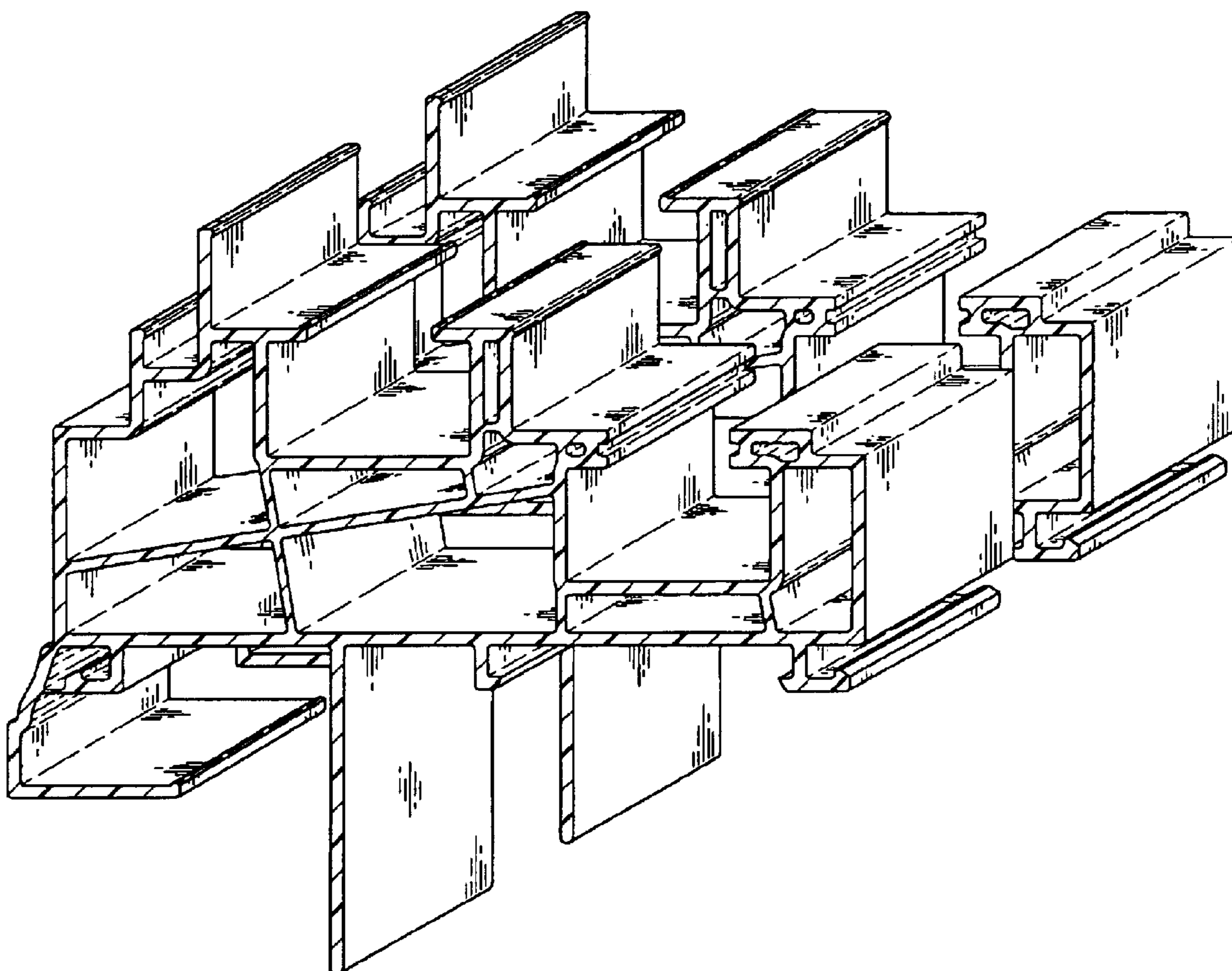
The ornamental design for a window component extrusion, as shown and described.

DESCRIPTION

FIG. 1 is a top right perspective view of the window component extrusion which is broken in the center indicating indefinite length; and,

FIG. 2 is a bottom left perspective view of the window component extrusion shown in FIG. 1.

1 Claim, 1 Drawing Sheet



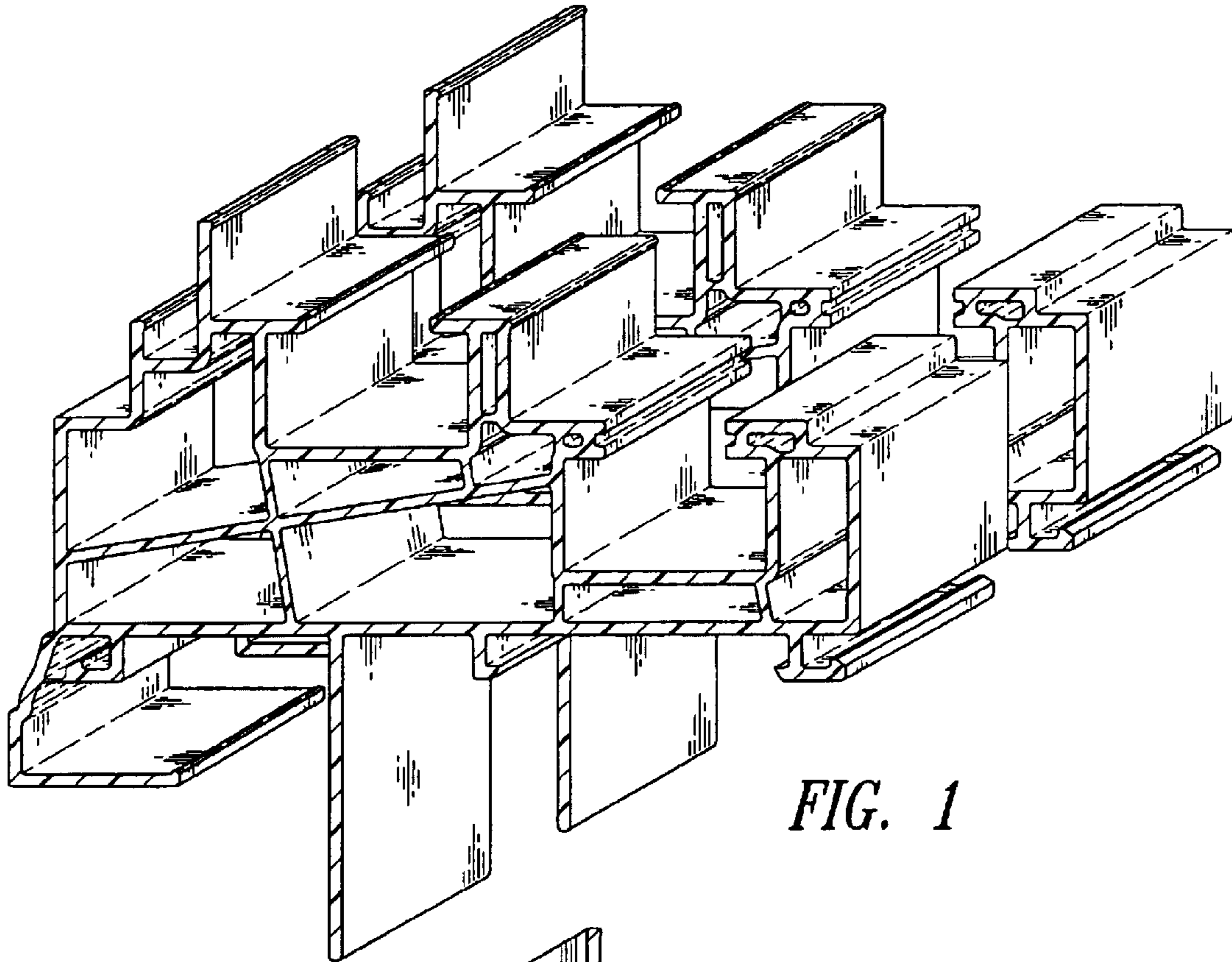


FIG. 1

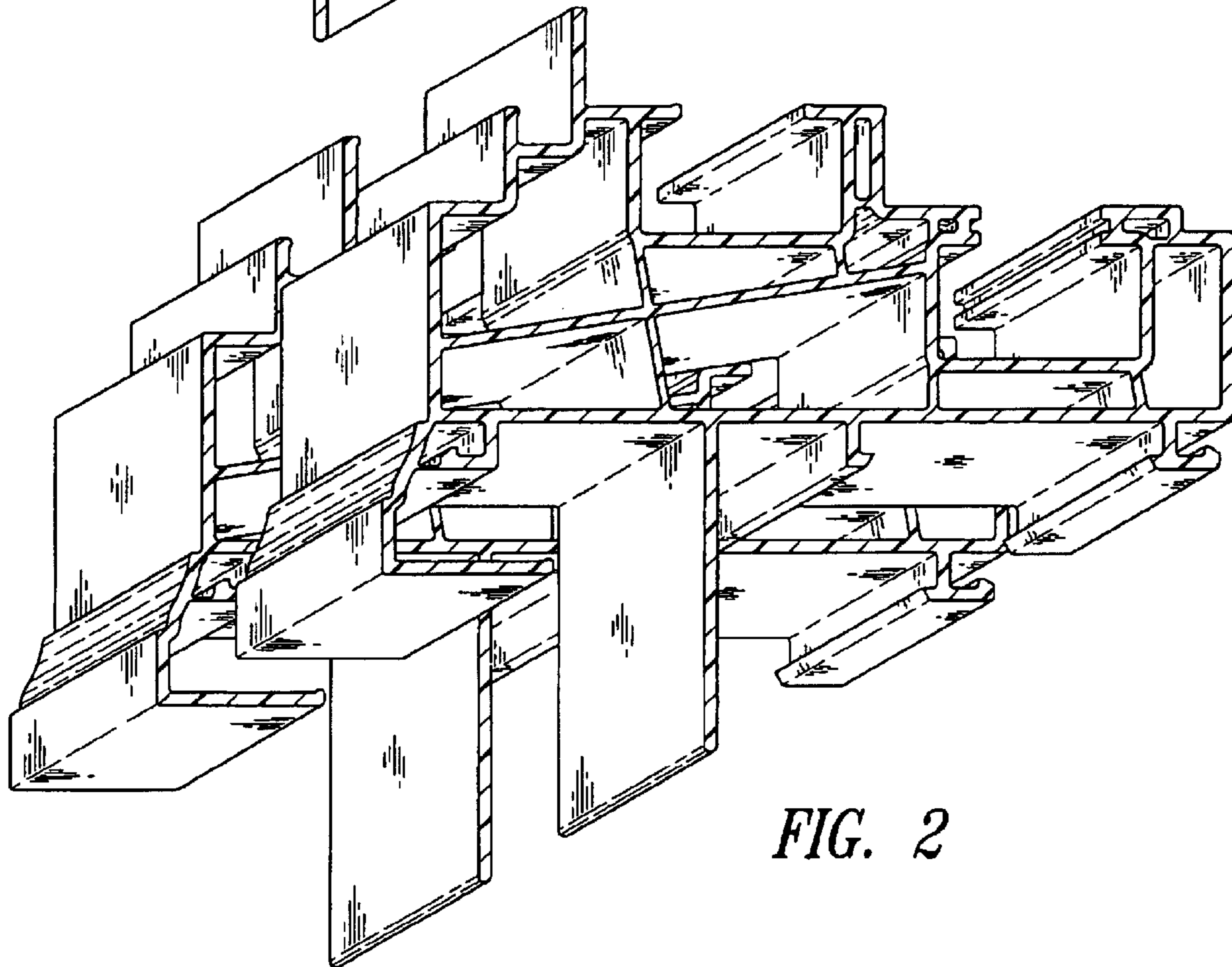


FIG. 2