

US00D496741S1

(12) **United States Design Patent**  
**Franson**

(10) **Patent No.:** **US D496,741 S**  
(45) **Date of Patent:** **\*\* Sep. 28, 2004**

(54) **WINDOW COMPONENT EXTRUSION**

(75) **Inventor:** **Jeffrey R. Franson**, Maple Valley, WA (US)

(73) **Assignee:** **Mikron Industries, Inc.**, Kent, WA (US)

(\*\*) **Term:** **14 Years**

(21) **Appl. No.:** **29/195,275**

(22) **Filed:** **Dec. 8, 2003**

(51) **LOC (7) Cl.** ..... **25-01**

(52) **U.S. Cl.** ..... **D25/124**

(58) **Field of Search** ..... D25/124, 125;  
52/204.1, 204.5; 49/DIG. 2, 504

(56) **References Cited**

**U.S. PATENT DOCUMENTS**

|            |           |               |       |         |
|------------|-----------|---------------|-------|---------|
| D394,509 S | 5/1998    | Franson       | ..... | D25/124 |
| D432,678 S | * 10/2000 | Habeck et al. | ..... | D25/124 |
| D448,497 S | 9/2001    | Cole          | ..... | D25/124 |

**OTHER PUBLICATIONS**

Douglas L. Cole, Mikron Part No. 8089, First Drawn: Feb. 14, 2000; First Sold: Dec. 18, 2001.

Mikron Part No. 8428, First Drawn: Mar. 26, 2001; First Sold: Dec. 9, 2001.

\* cited by examiner

*Primary Examiner*—Doris Clark

(74) *Attorney, Agent, or Firm*—Black Lowe & Graham PLLC

(57) **CLAIM**

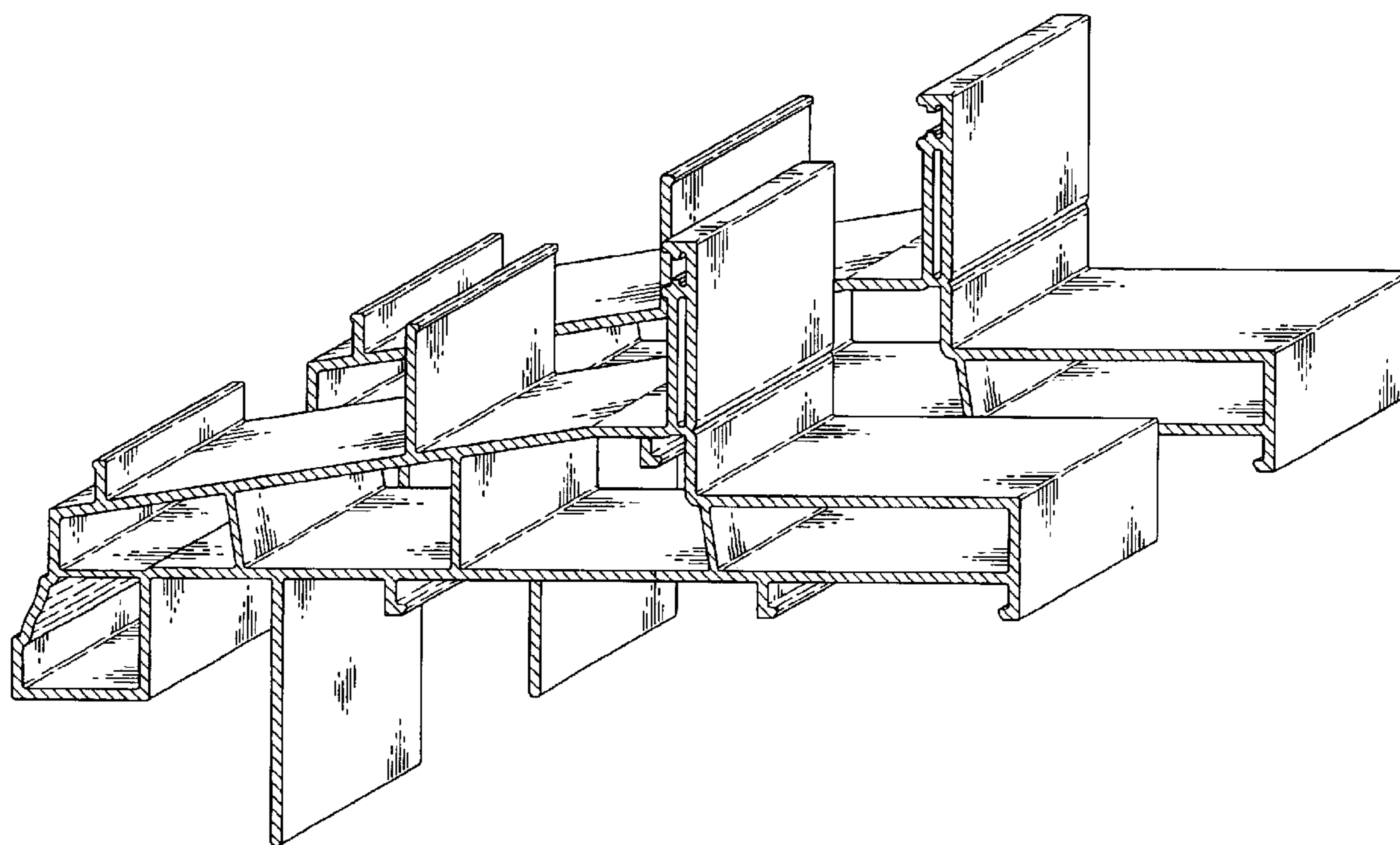
The ornamental design for a window component extrusion, as shown and described.

**DESCRIPTION**

FIG. 1 is a top right perspective view of the window component extrusion which is broken in the center indicating indefinite length; and,

FIG. 2 is a bottom left perspective view of the window component extrusion shown in FIG. 1.

**1 Claim, 2 Drawing Sheets**



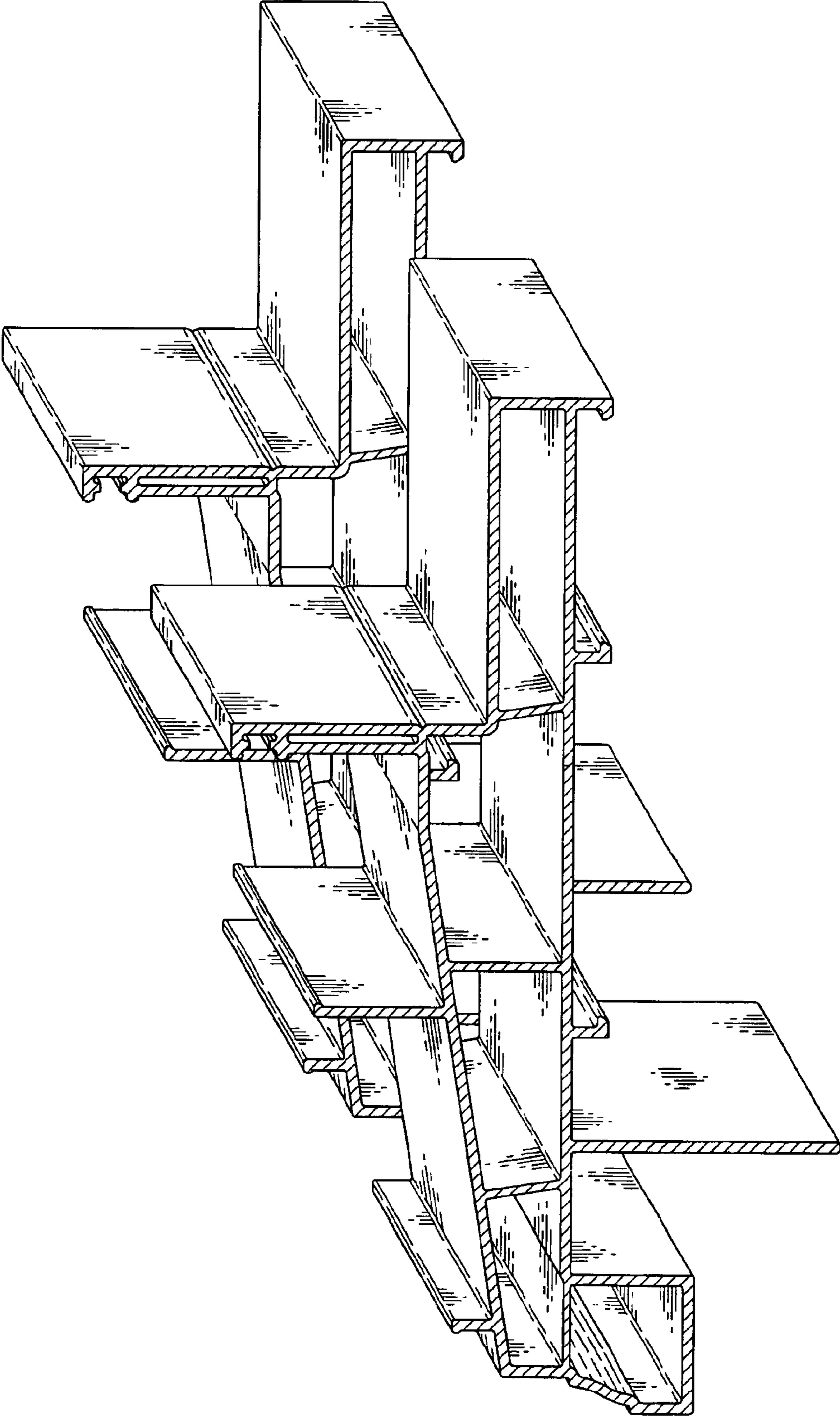


FIG. 1

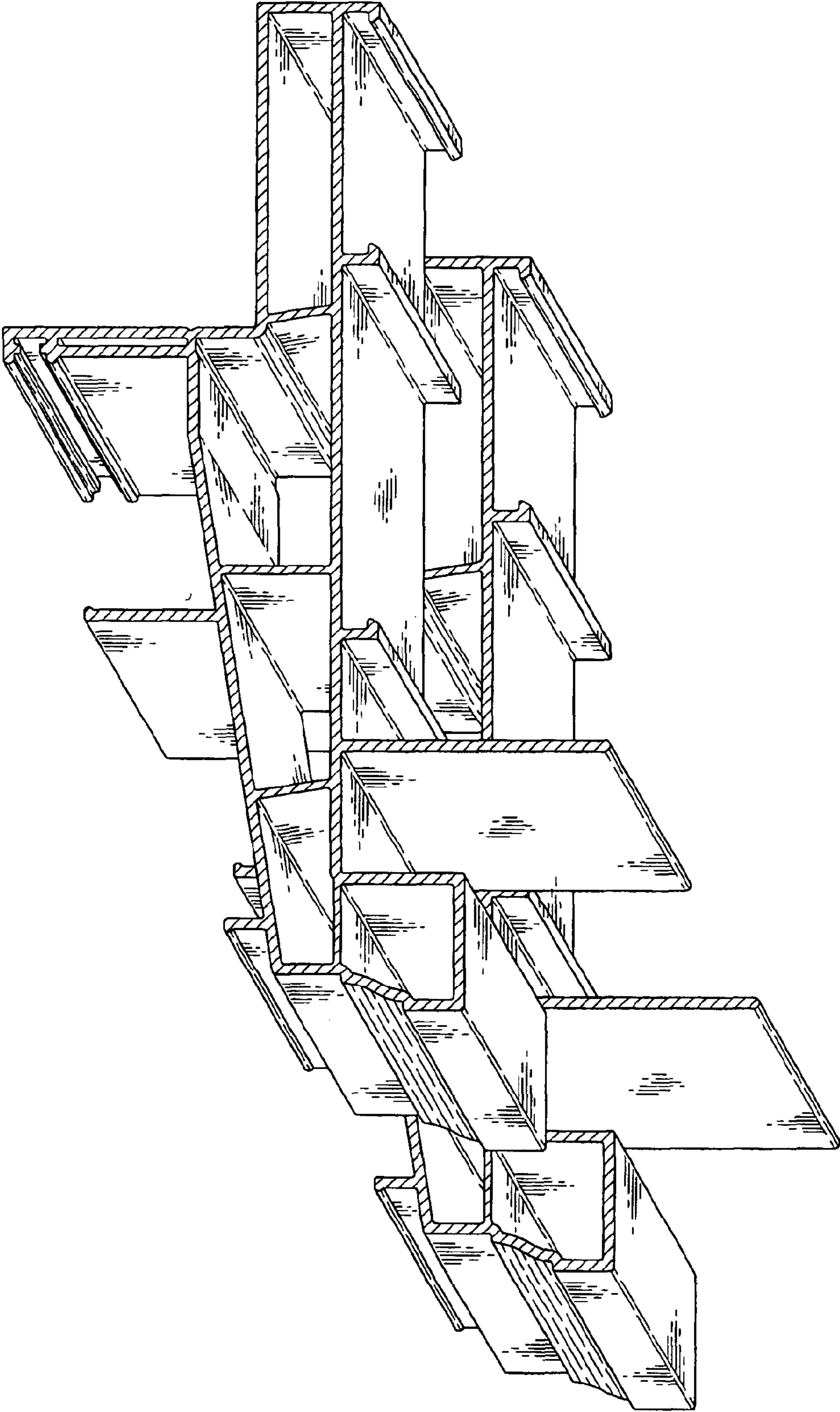


FIG. 2