

US00D496740S1

(12) **United States Design Patent**
Franson

(10) **Patent No.: US D496,740 S**

(45) **Date of Patent: ** Sep. 28, 2004**

(54) **WINDOW COMPONENT EXTRUSION**

(75) **Inventor: Jeffrey R. Franson, Maple Valley, WA (US)**

(73) **Assignee: Mikron Industries, Inc., Kent, WA (US)**

(**) **Term: 14 Years**

(21) **Appl. No.: 29/194,909**

(22) **Filed: Dec. 2, 2003**

(51) **LOC (7) Cl. 25-01**

(52) **U.S. Cl. D25/124**

(58) **Field of Search D25/124, 125;
52/204.1, 204.5; 49/DIG. 2, 504**

(56) **References Cited**

U.S. PATENT DOCUMENTS

D357,755 S 4/1995 Franson D25/124
D467,014 S * 12/2002 Morton et al. D25/124

OTHER PUBLICATIONS

Mikron Part No. 7523, First Drawn: Feb. 13, 1997; First Sold: Aug. 18, 1997.

Teresa A. Oliver, Mikron Part No. 7823, First Drawn: Oct. 2, 1998; First Sold: Jun. 28, 1999.

* cited by examiner

Primary Examiner—Doris Clark

(74) *Attorney, Agent, or Firm*—Black Lowe & Graham PLLC

(57) **CLAIM**

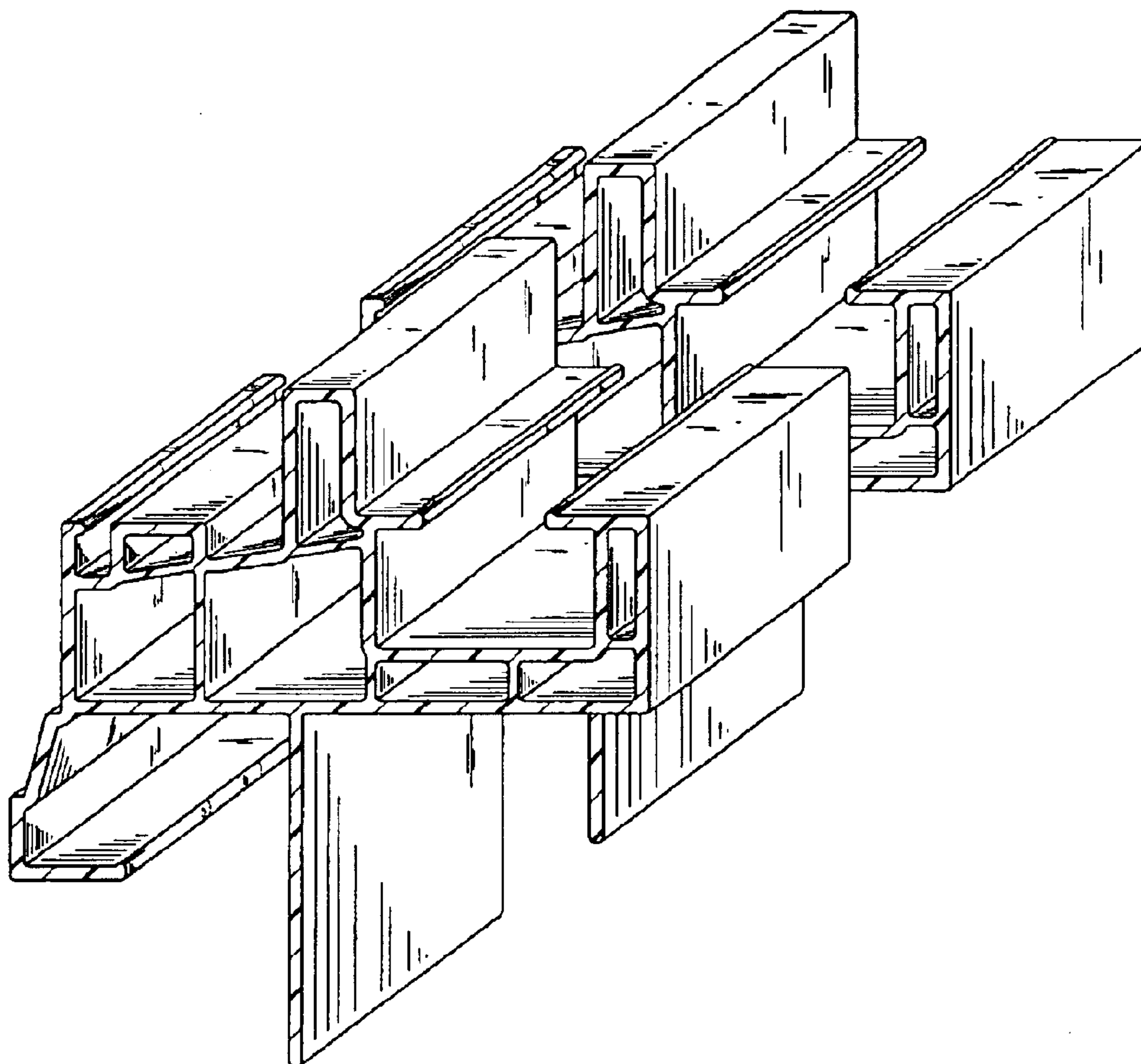
The ornamental design for a window component extrusion, as shown and described.

DESCRIPTION

FIG. 1 is a top right perspective view of the window component extrusion which is broken in the center indicating indefinite length; and,

FIG. 2 is a bottom left perspective view of the window component extrusion shown in FIG. 1.

1 Claim, 1 Drawing Sheet



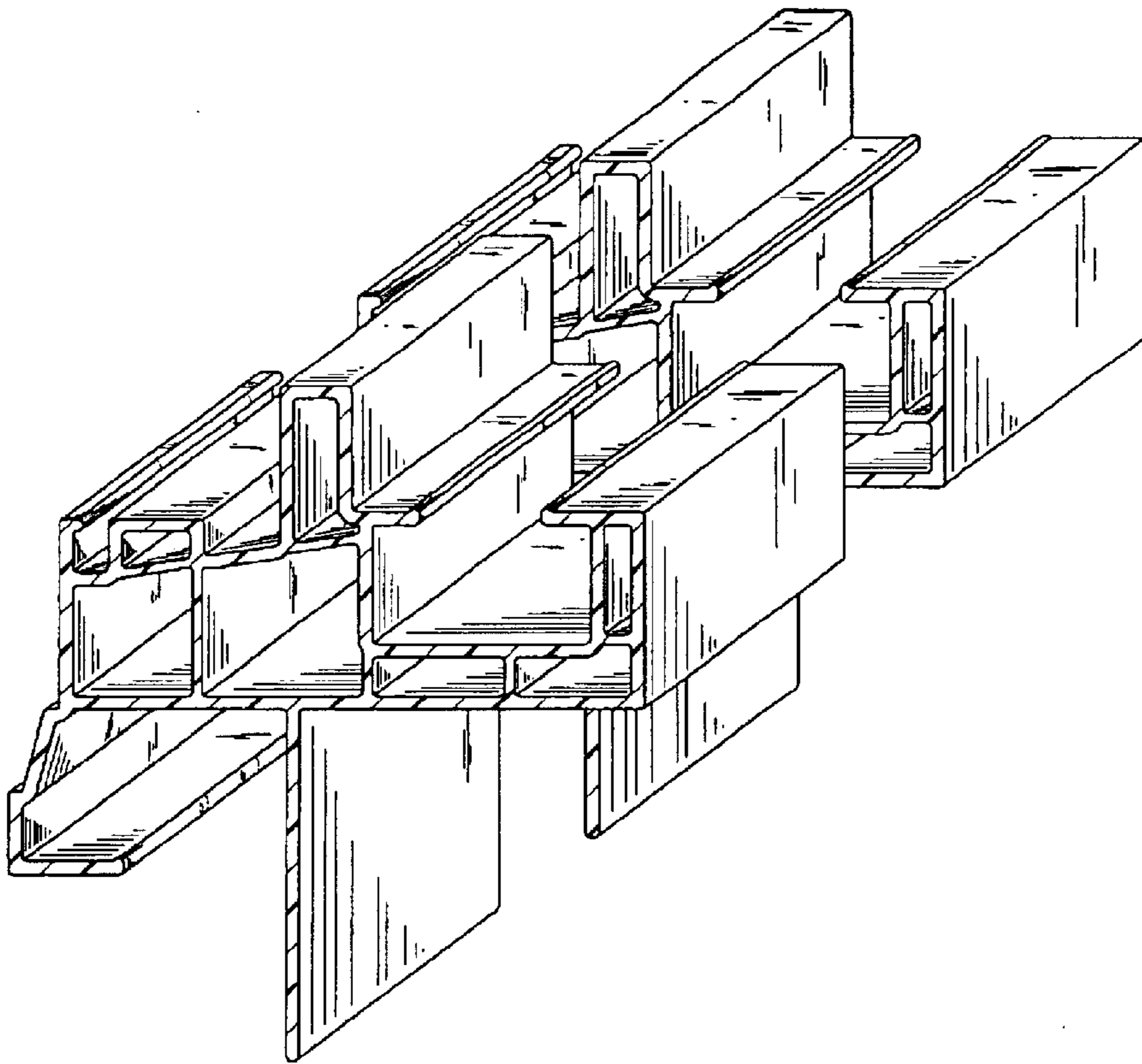


FIG. 1

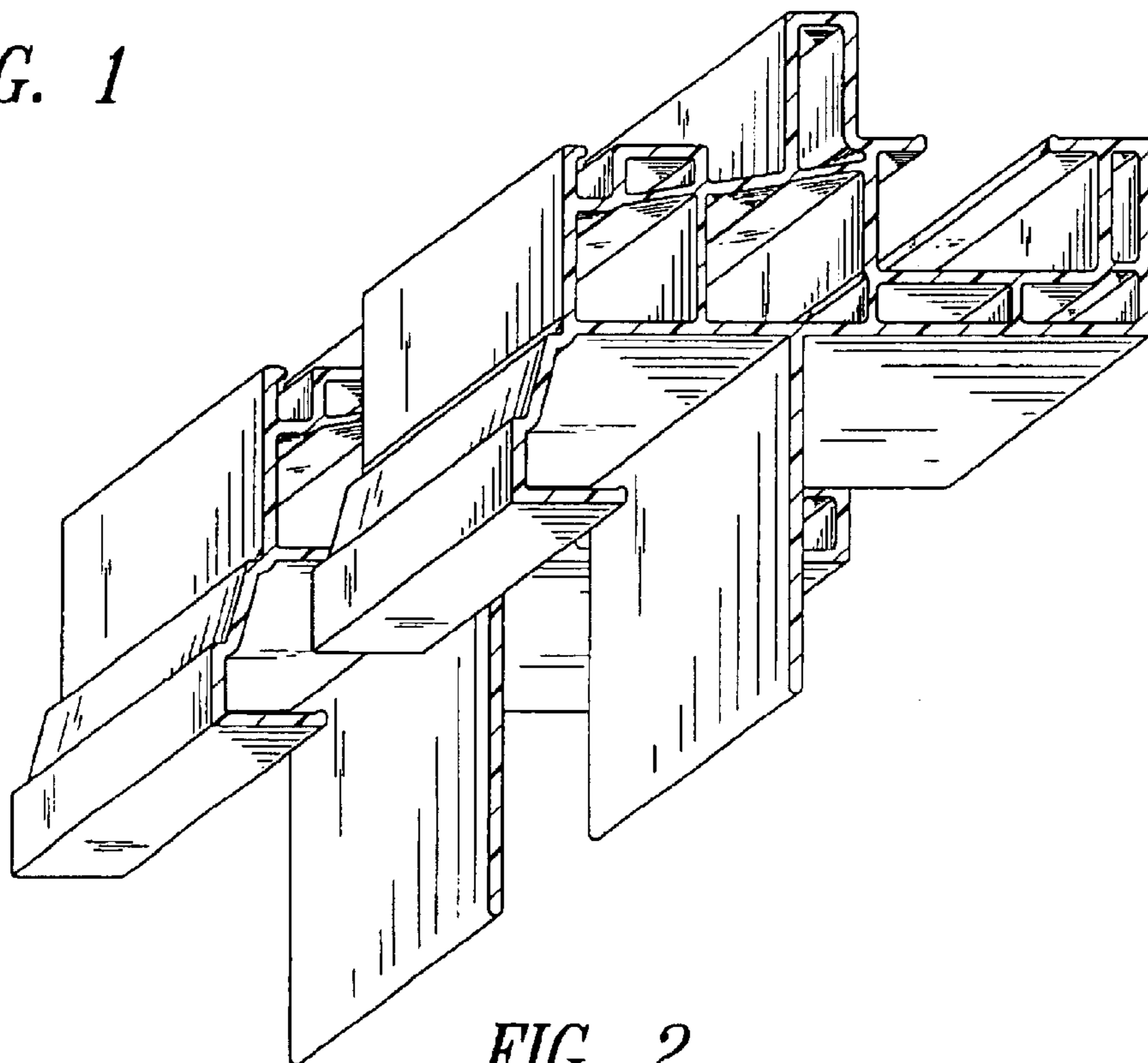


FIG. 2