

US00D496739S1

(12) **United States Design Patent**
Franson

(10) **Patent No.:** **US D496,739 S**

(45) **Date of Patent:** **** Sep. 28, 2004**

(54) **WINDOW COMPONENT EXTRUSION**

Primary Examiner—Doris Clark

(75) **Inventor:** **Jeffrey R. Franson**, Maple Valley, WA (US)

(74) *Attorney, Agent, or Firm—Black Lowe & Graham PLLC*

(73) **Assignee:** **Mikron Industries, Inc.**, Kent, WA (US)

(57) **CLAIM**

(**) **Term:** **14 Years**

The ornamental design for a window component extrusion, as shown and described.

(21) **Appl. No.:** **29/194,908**

(22) **Filed:** **Dec. 2, 2003**

DESCRIPTION

(51) **LOC (7) Cl.** **25-01**

FIG. 1 is a top right perspective view of the window component extrusion which is broken in the center indicating indefinite length; and,

(52) **U.S. Cl.** **D25/124**

(58) **Field of Search** D25/124, 125;
52/204.1, 204.5; 49/DIG. 2, 504

FIG. 2 is a bottom left perspective view of the window component extrusion shown in FIG. 1.

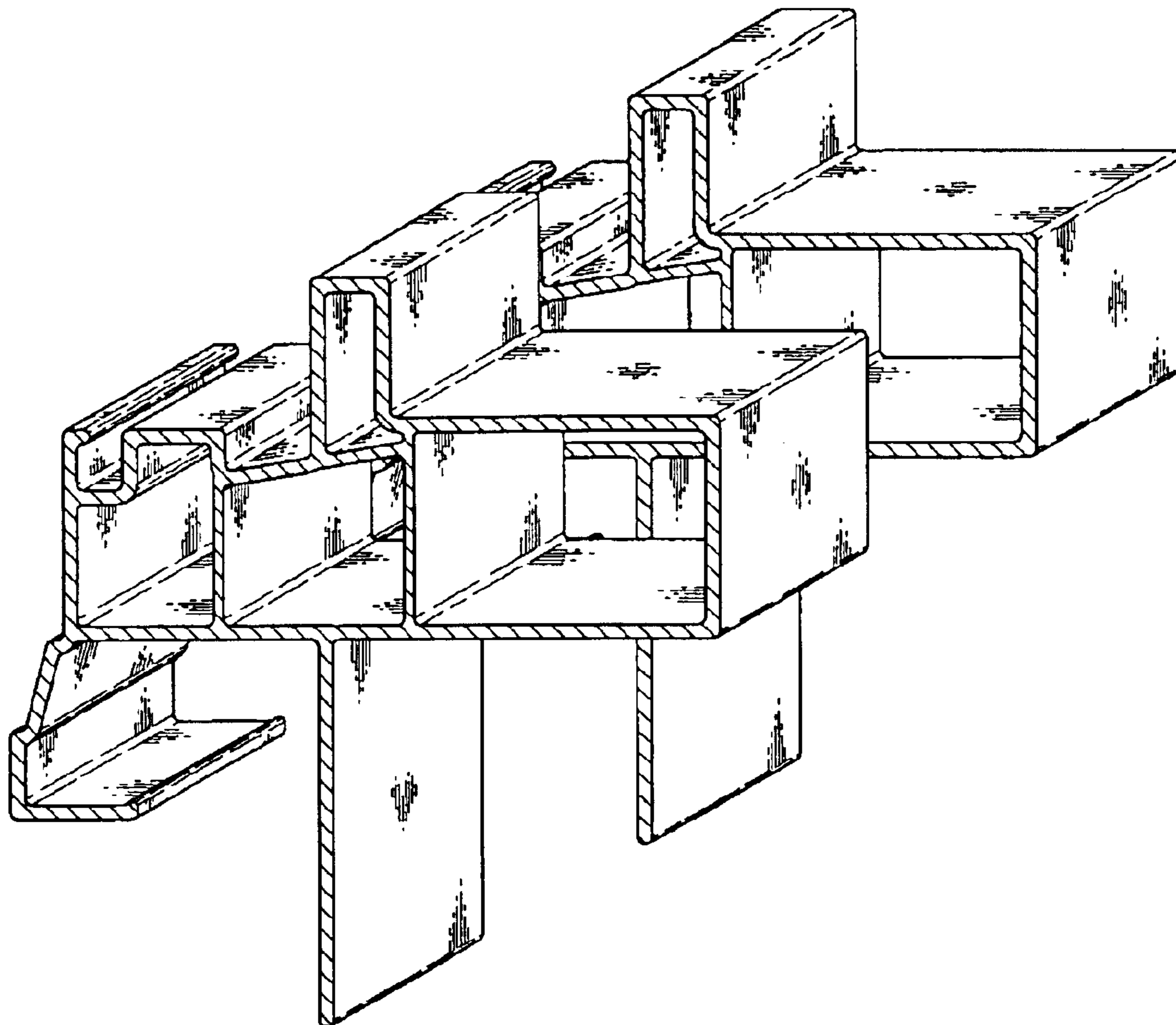
(56) **References Cited**

U.S. PATENT DOCUMENTS

D467,014 S * 12/2002 Morton et al. D25/124

* cited by examiner

1 Claim, 1 Drawing Sheet



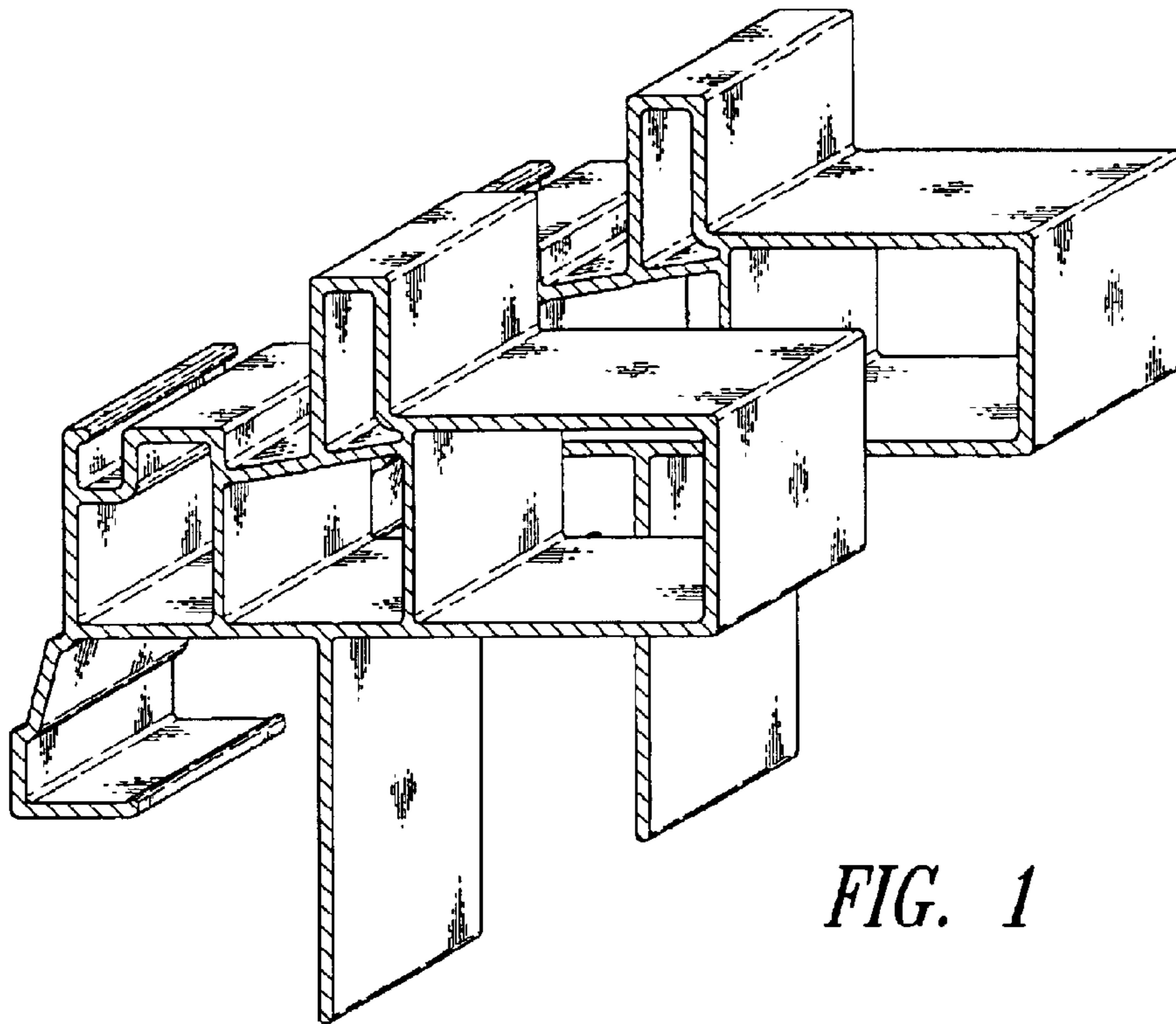


FIG. 1

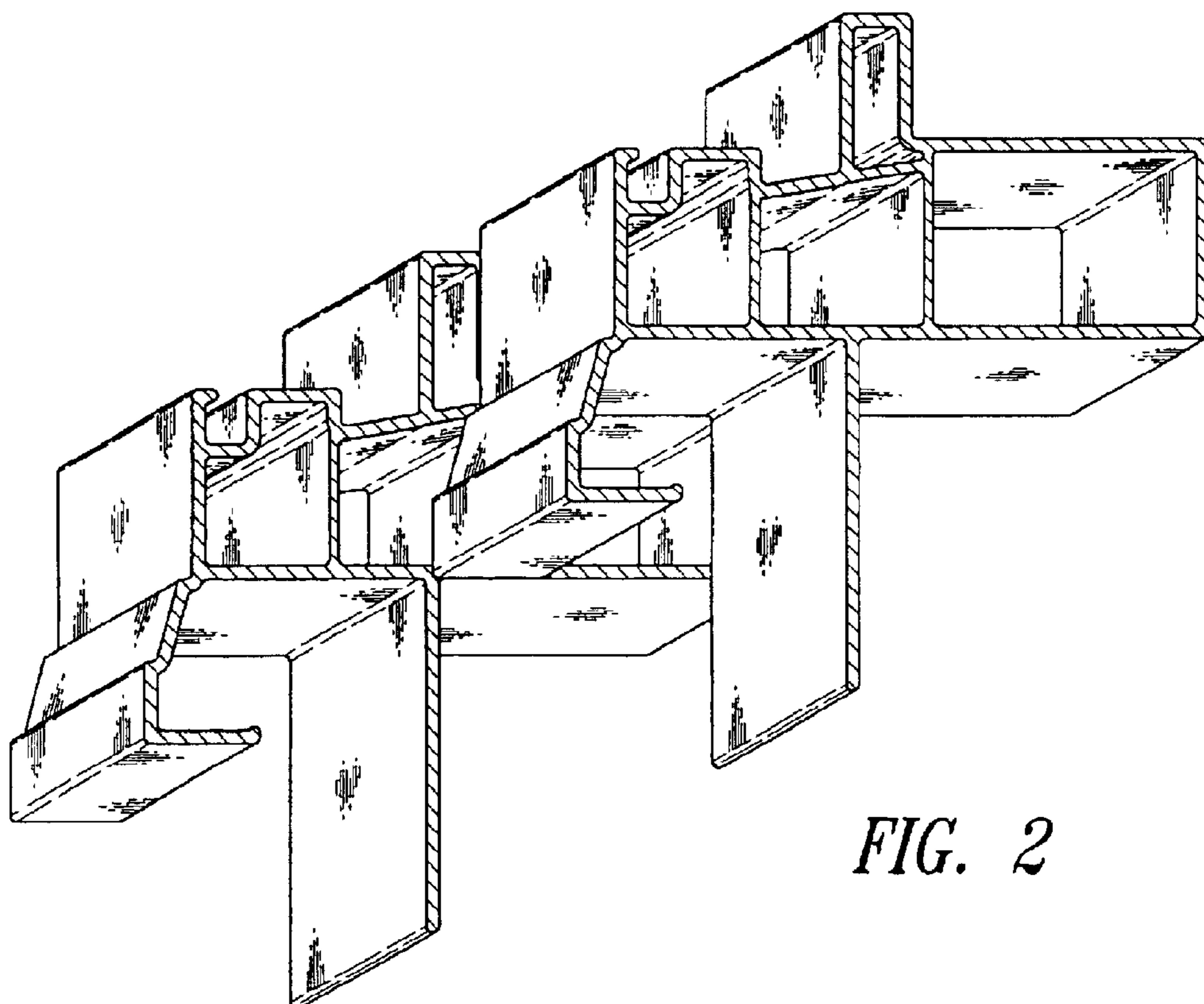


FIG. 2