

US00D496737S1

(12) **United States Design Patent**
Moon et al.

(10) **Patent No.: US D496,737 S**

(45) **Date of Patent: ** Sep. 28, 2004**

(54) **EXTENDED UTILITY SHED**

(75) Inventors: **Brian Moon**, De Kalb, IL (US);
Torrence Anderson, Overland Park, KS
(US)

(73) Assignee: **Suncast Corporation**, Batavia, IL (US)

(**) Term: **14 Years**

(21) Appl. No.: **29/191,255**

(22) Filed: **Oct. 2, 2003**

(51) **LOC (7) Cl.** **25-03**

(52) **U.S. Cl.** **D25/33**

(58) **Field of Search** D25/33; 52/79.4,
52/79.1

(56) **References Cited**

U.S. PATENT DOCUMENTS

D452,912 S * 1/2002 Ohanesian D25/33

* cited by examiner

Primary Examiner—Doris Clark

(74) *Attorney, Agent, or Firm*—McHale & Slavin, P.A.

(57) **CLAIM**

The ornamental design for a extended utility shed, as shown and described.

DESCRIPTION

FIG. 1 is a rear perspective view of the extended utility shed of the instant invention;

FIG. 2 is a front elevation view thereof;

FIG. 3 is a right side view thereof;

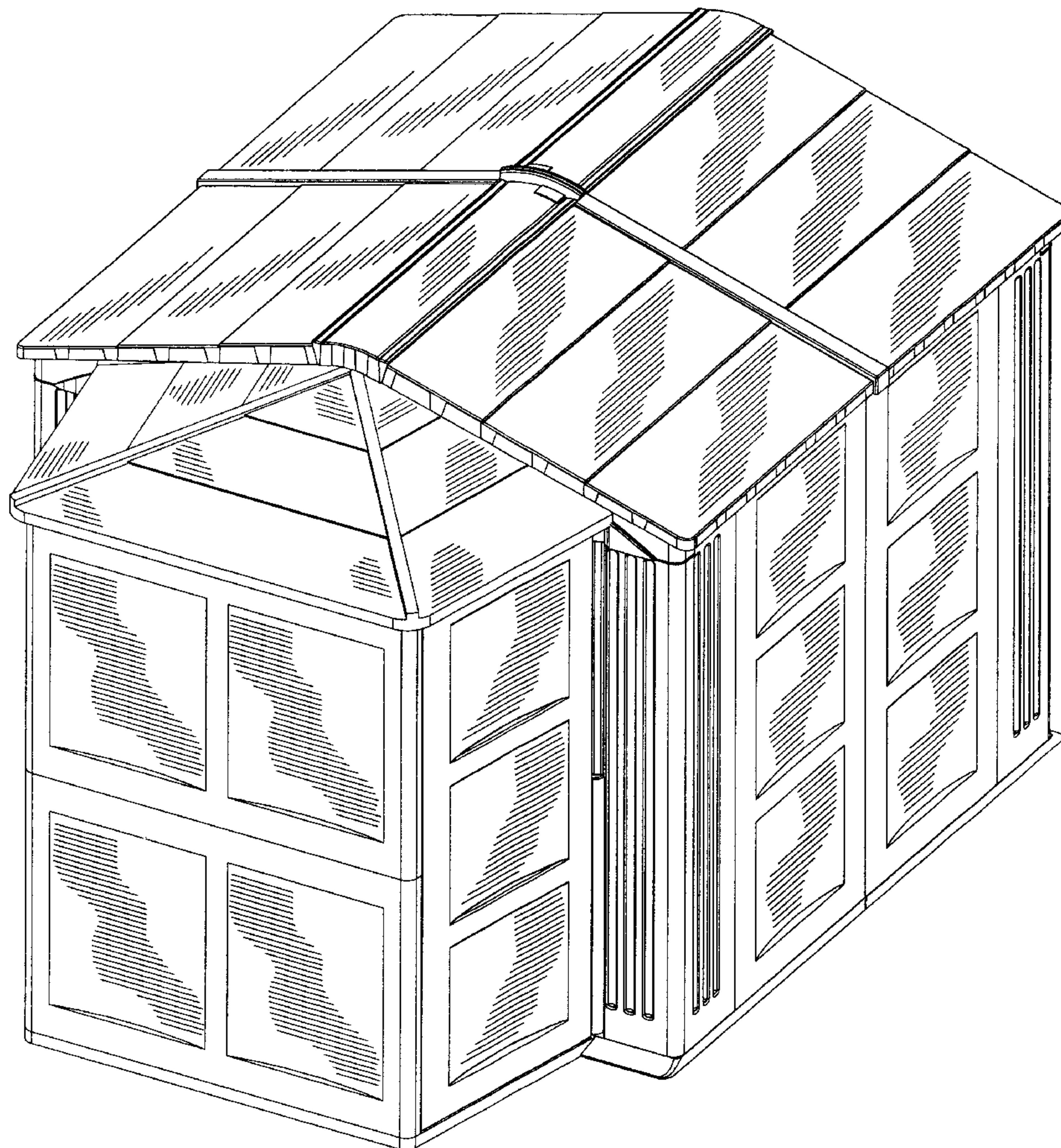
FIG. 4 is a rear elevation view thereof;

FIG. 5 is a left side view thereof;

FIG. 6 is a top view thereof; and,

FIG. 7 is a bottom view.

1 Claim, 7 Drawing Sheets



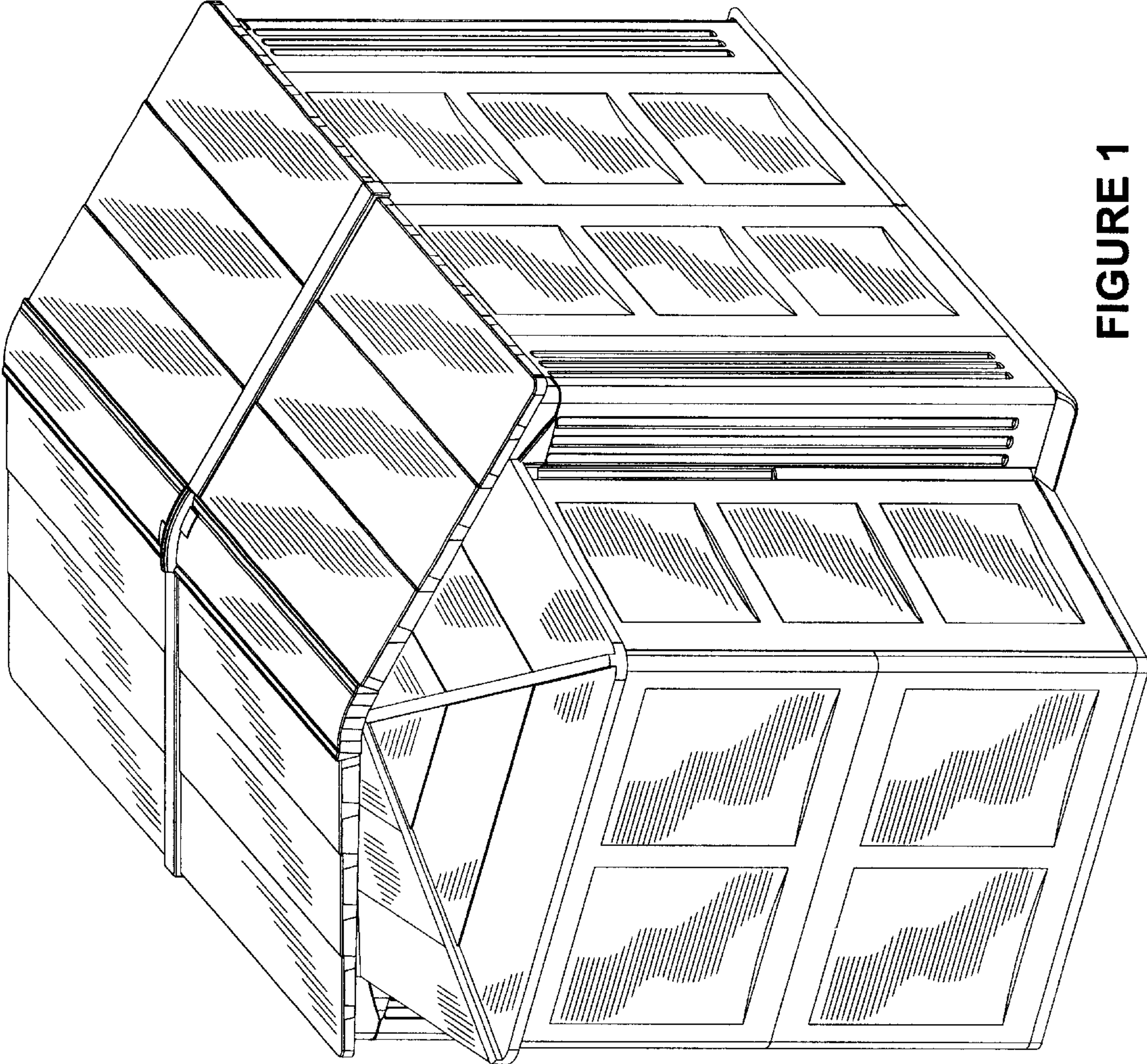


FIGURE 1

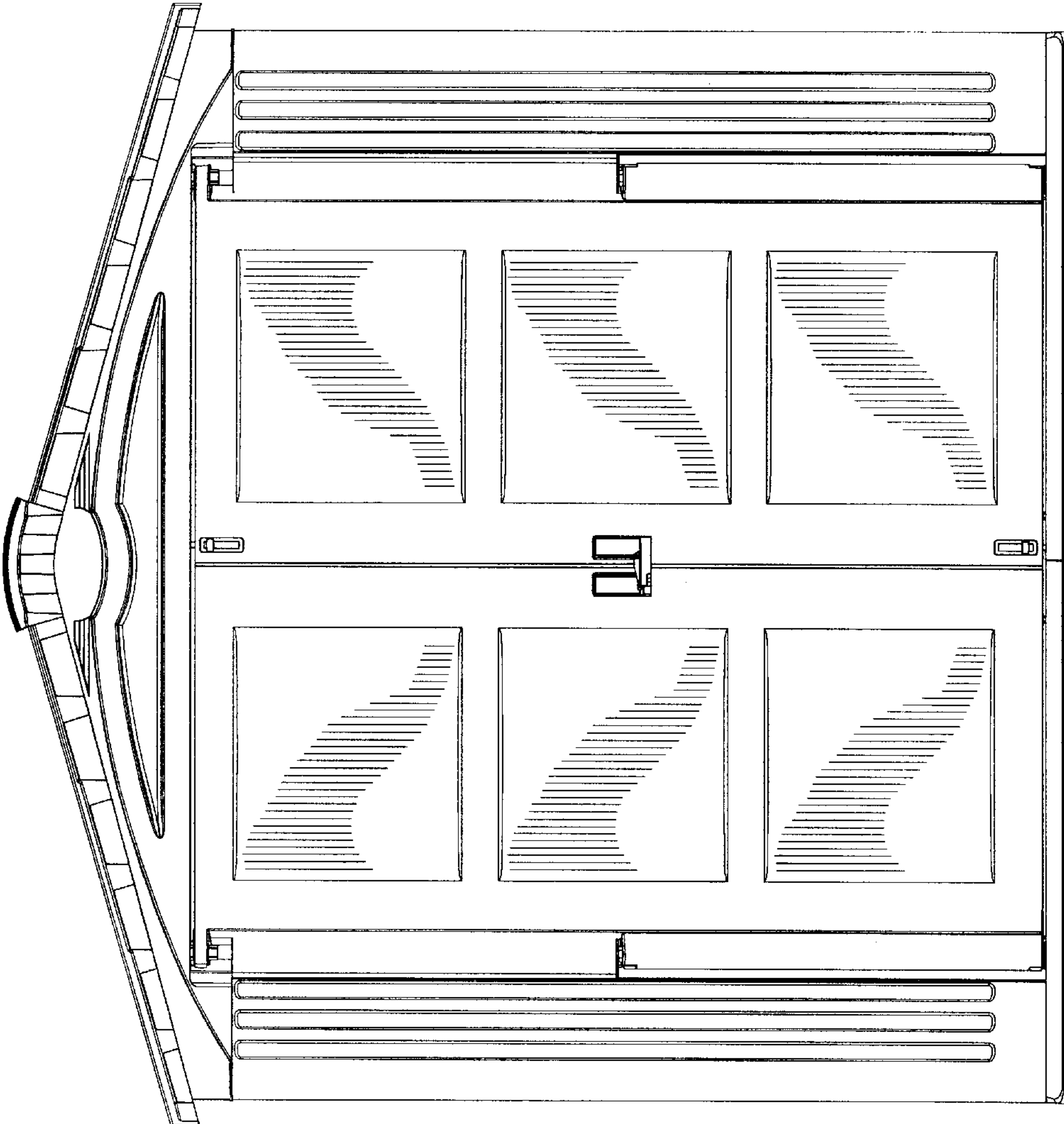


FIGURE 2

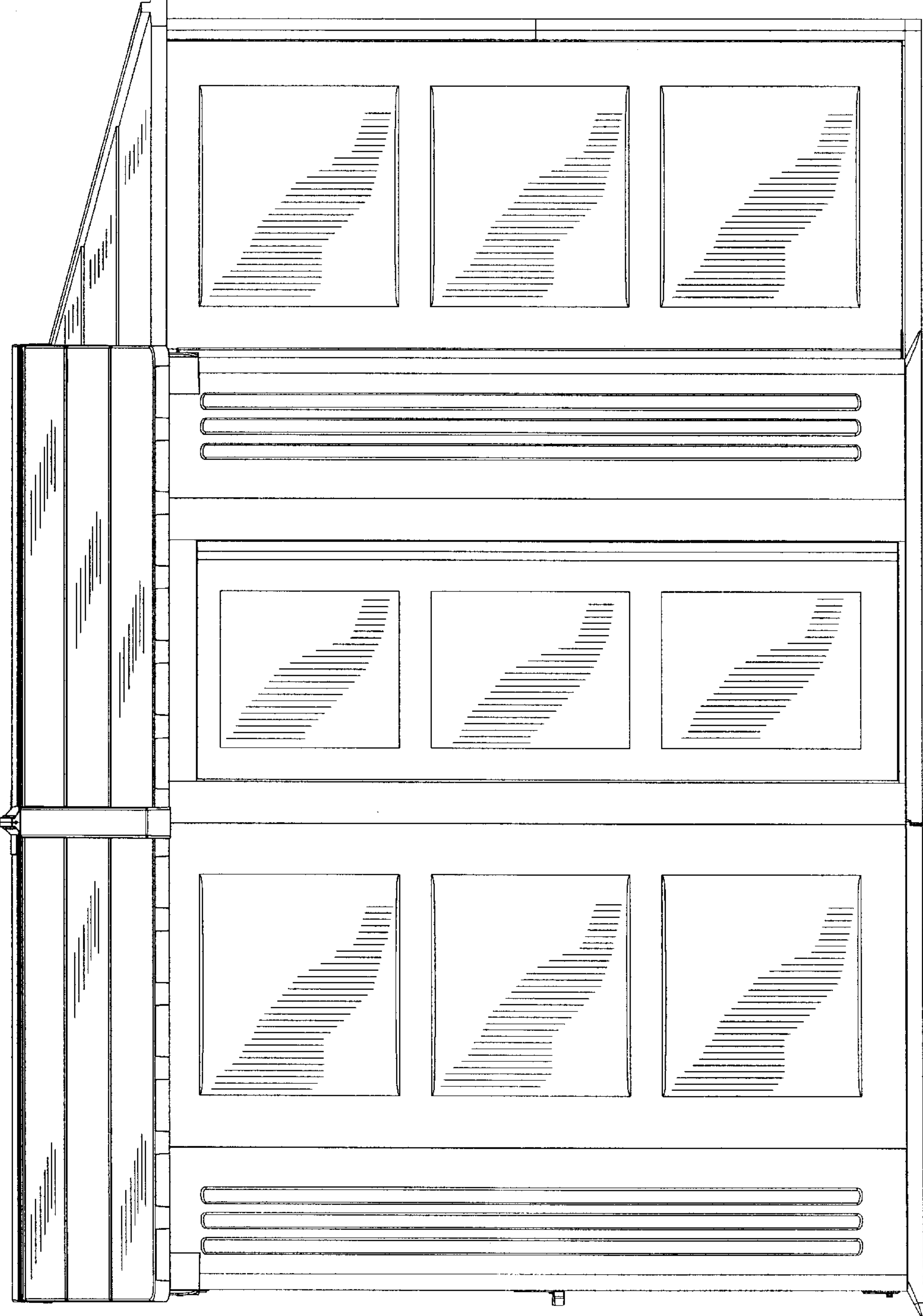


FIGURE 3

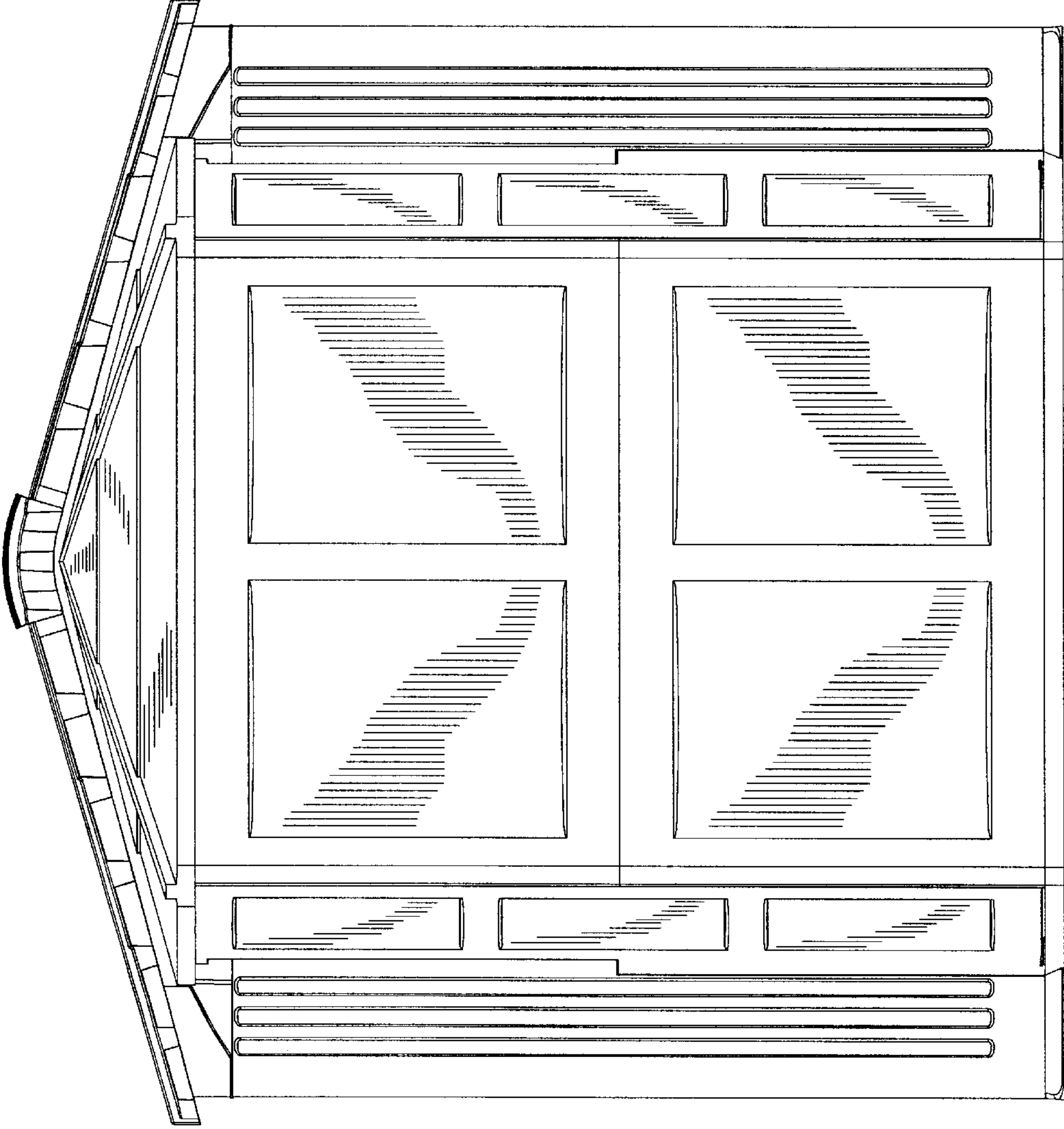


FIGURE 4

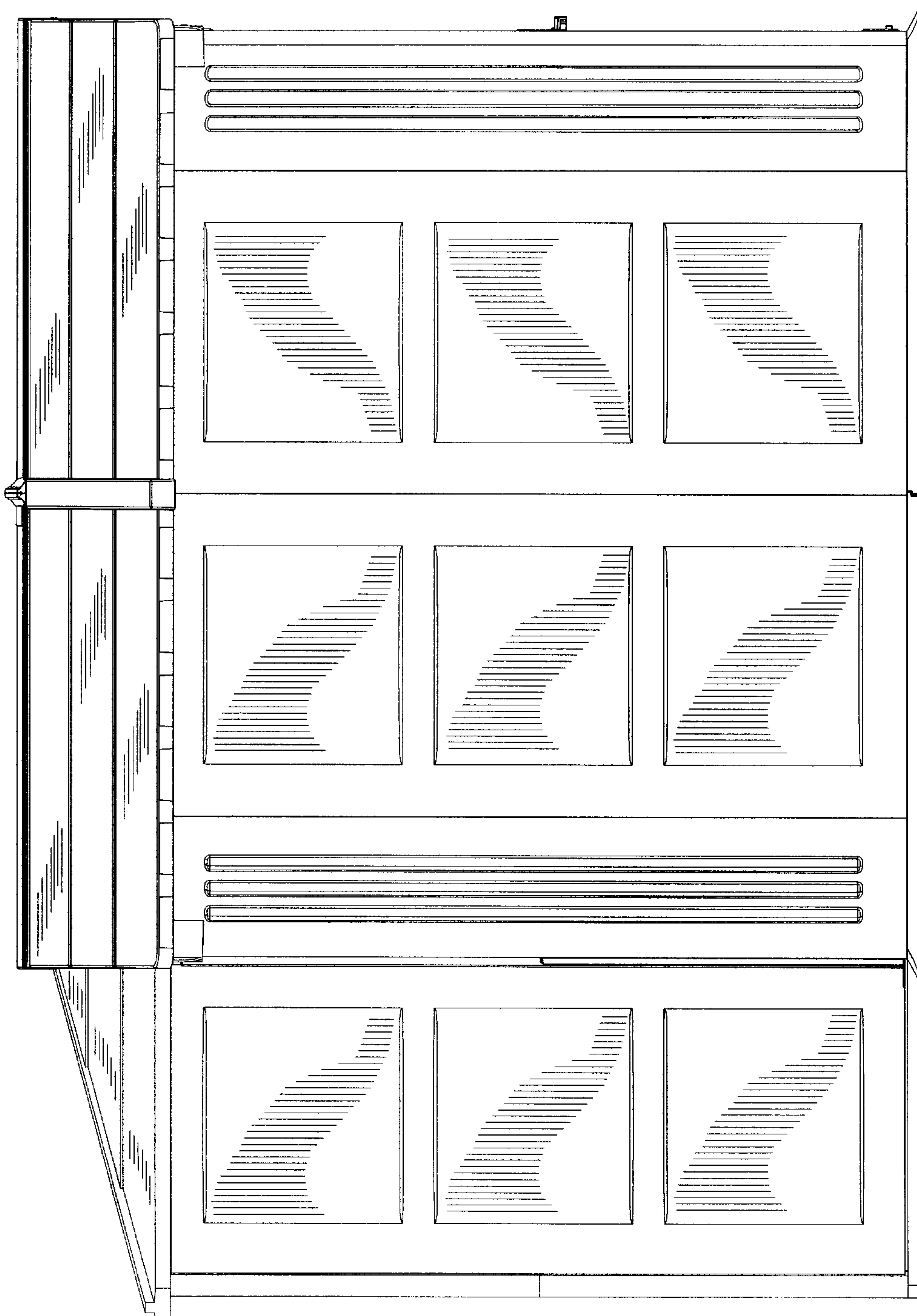


FIGURE 5

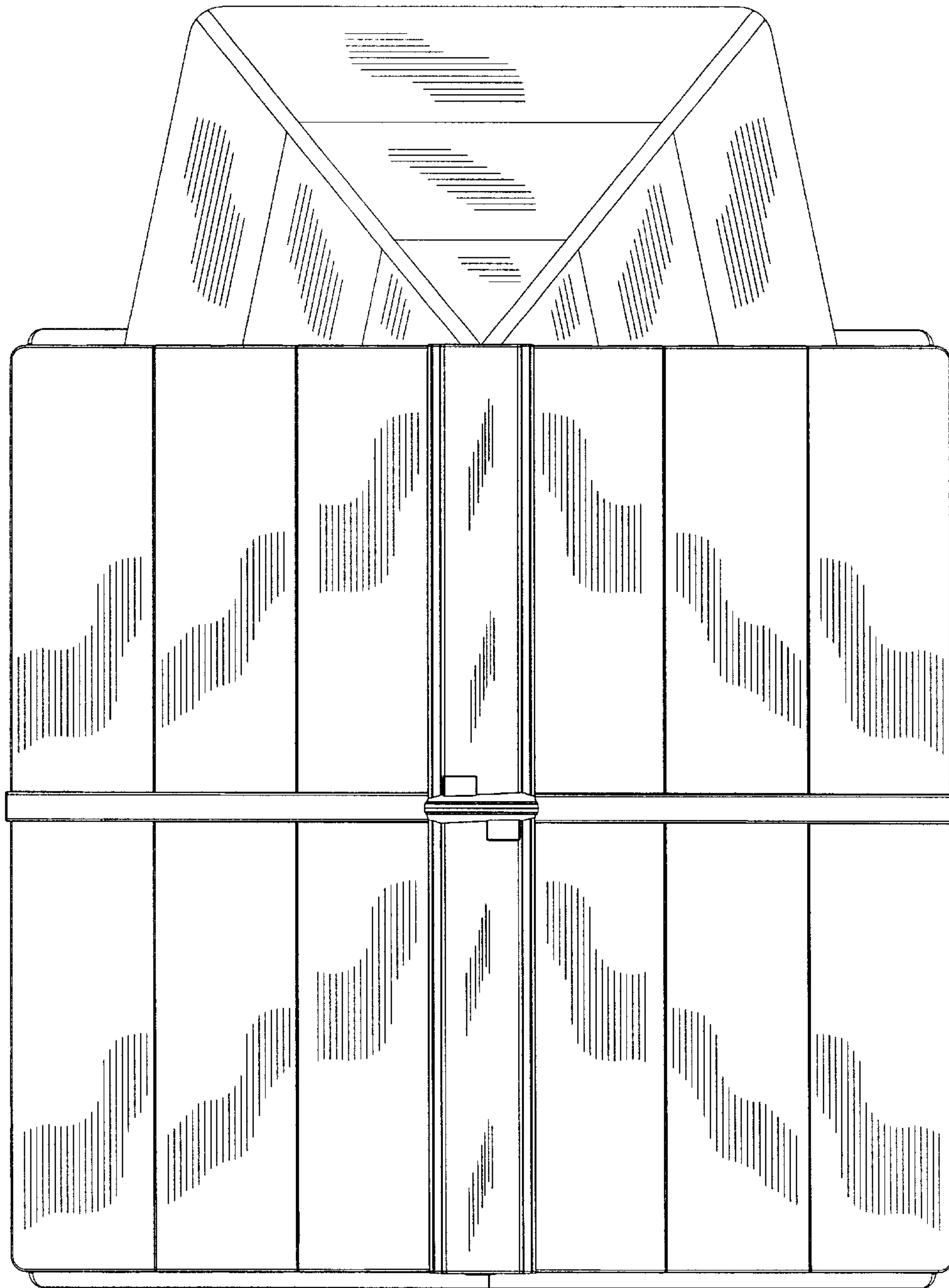


FIGURE 6

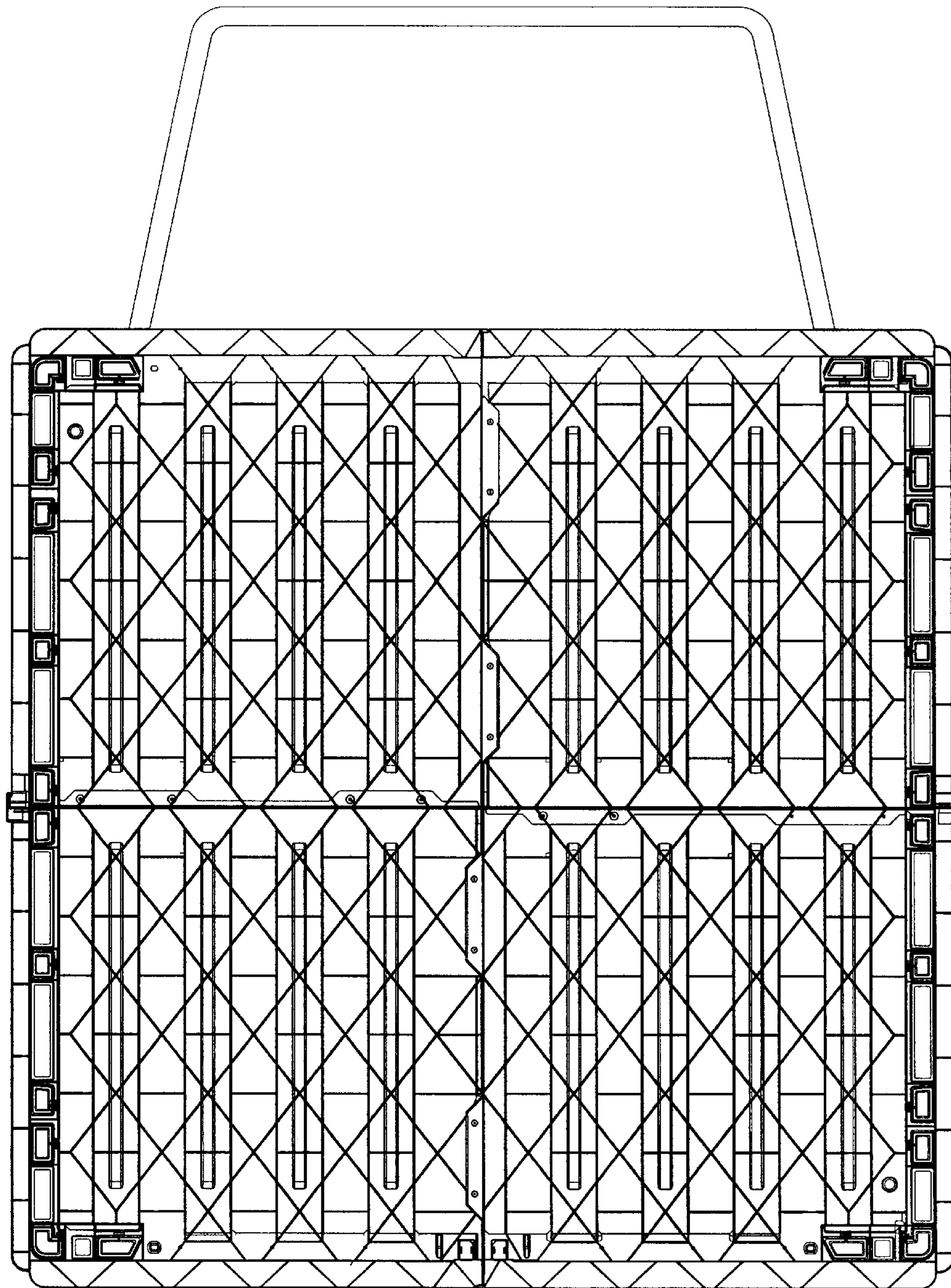


FIGURE 7