

US00D496735S1

(12) **United States Design Patent** (10) **Patent No.:** **US D496,735 S**
Hazlett, Jr. (45) **Date of Patent:** **** Sep. 28, 2004**

(54) **WINDMILL HAVING A BASE RAILING AND SLATTED BLADES**

Primary Examiner—Doris Clark
(74) *Attorney, Agent, or Firm—Thomas E. Loop*

(76) Inventor: **Edward J. Hazlett, Jr.**, 10529 Lake View Ave. SW., Suite C, Lakewood, WA (US) 98499

(57) **CLAIM**

The ornamental design for a windmill having a base railing and slatted blades, as shown and described.

(**) Term: **14 Years**

DESCRIPTION

(21) Appl. No.: **29/192,575**

FIG. 1 is a perspective view of a windmill having a base railing and slatted blades in accordance with the invention. FIG. 2 is a side elevational view of the windmill of FIG. 1. FIG. 3 is a front elevational view of the windmill of FIG. 1. FIG. 4 is a back elevational view of the windmill of FIG. 1. FIG. 5 is top elevational view of the windmill of FIG. 1; and, FIG. 6 bottom elevational view of the windmill of FIG. 1. The broken lines in the drawing are for illustrative purposes only and form no part of the claimed design.

(22) Filed: **Oct. 27, 2003**

(51) **LOC (7) Cl.** **25-03**

(52) **U.S. Cl.** **D25/1**

(58) **Field of Search** D25/1; D21/510; D10/59; 405/75, 100; 73/147; 416/196 A, 197 A, 196 R

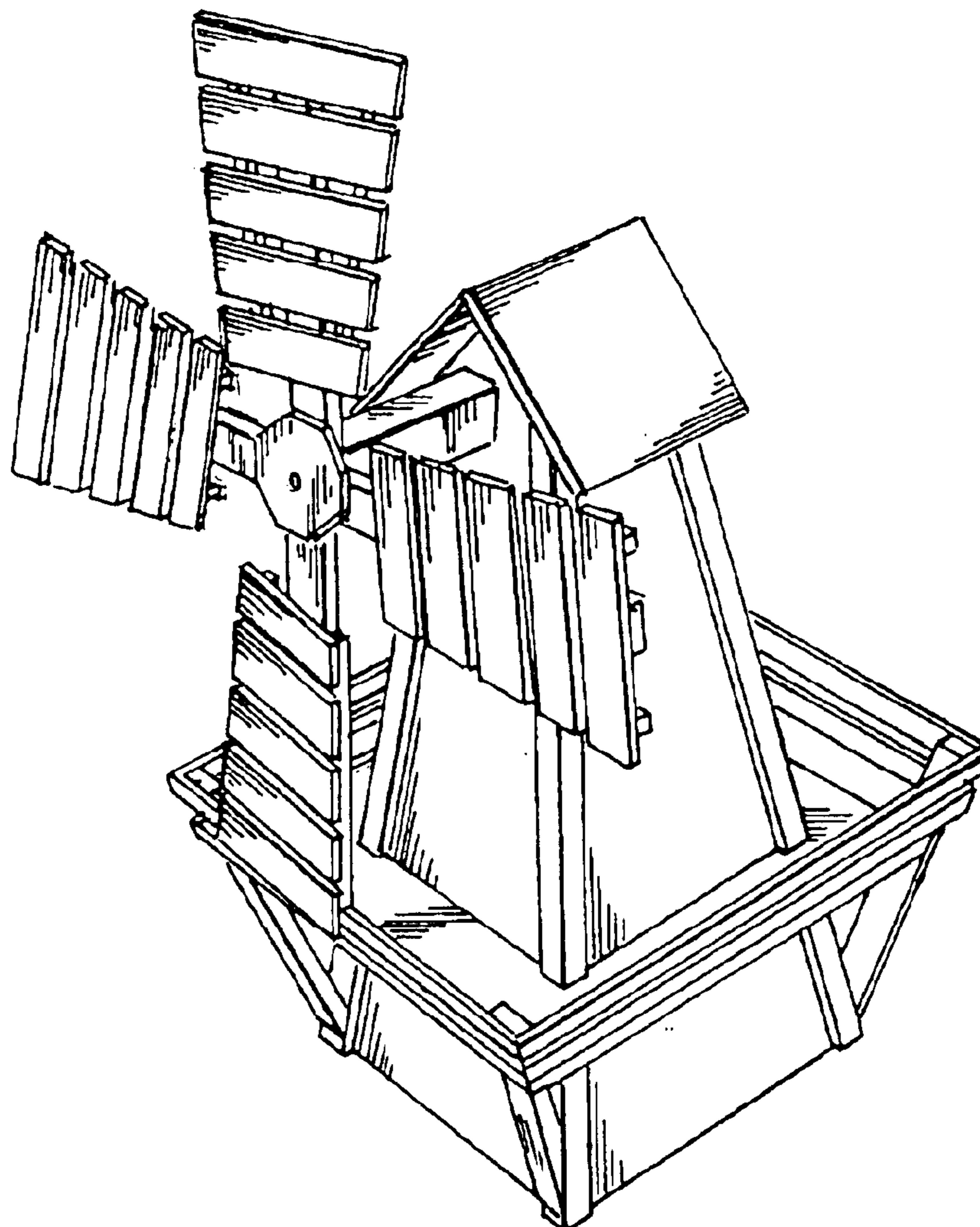
(56) **References Cited**

U.S. PATENT DOCUMENTS

D384,165 S * 9/1997 Suci D25/1

* cited by examiner

1 Claim, 2 Drawing Sheets



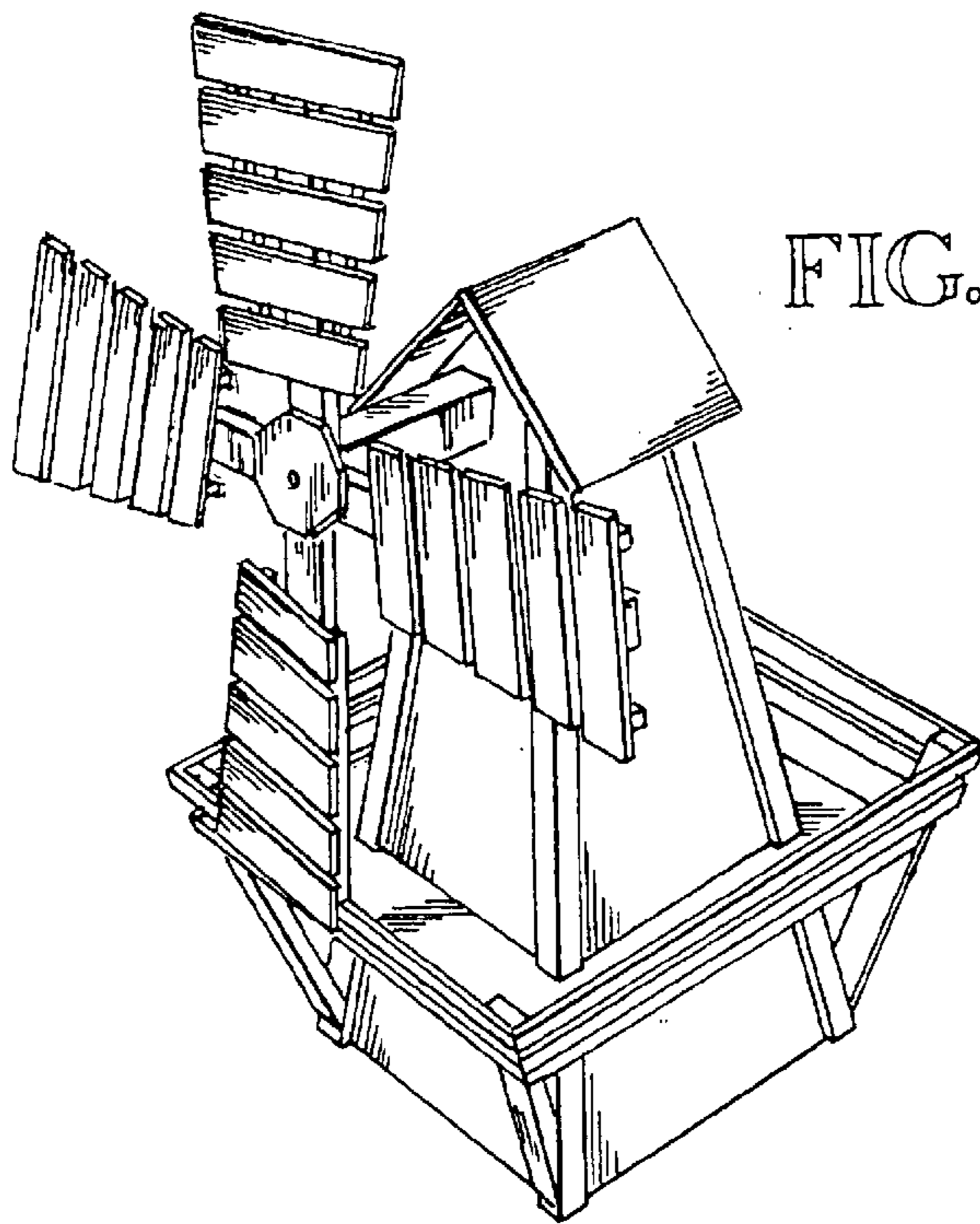


FIG. 1

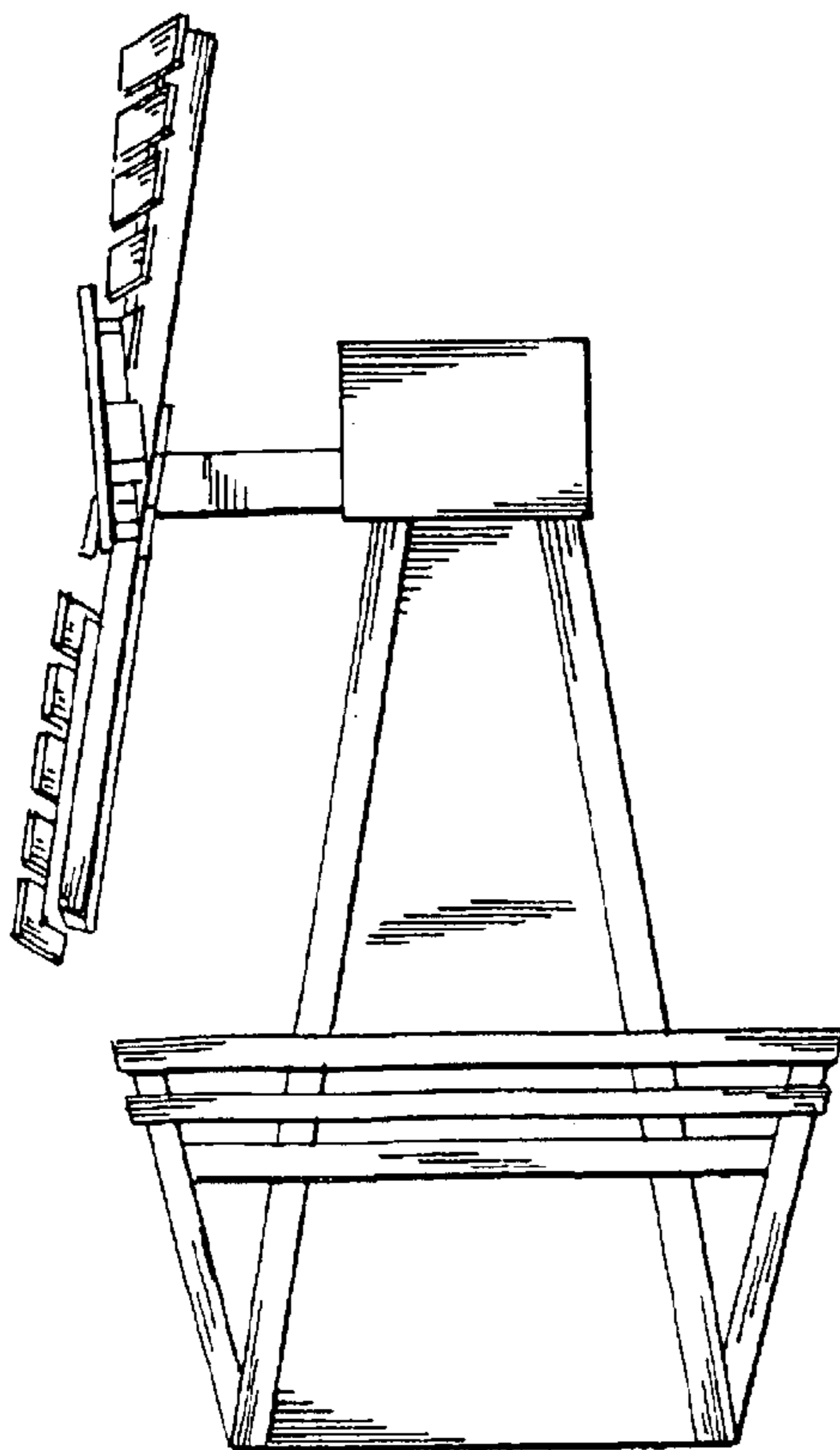


FIG. 2

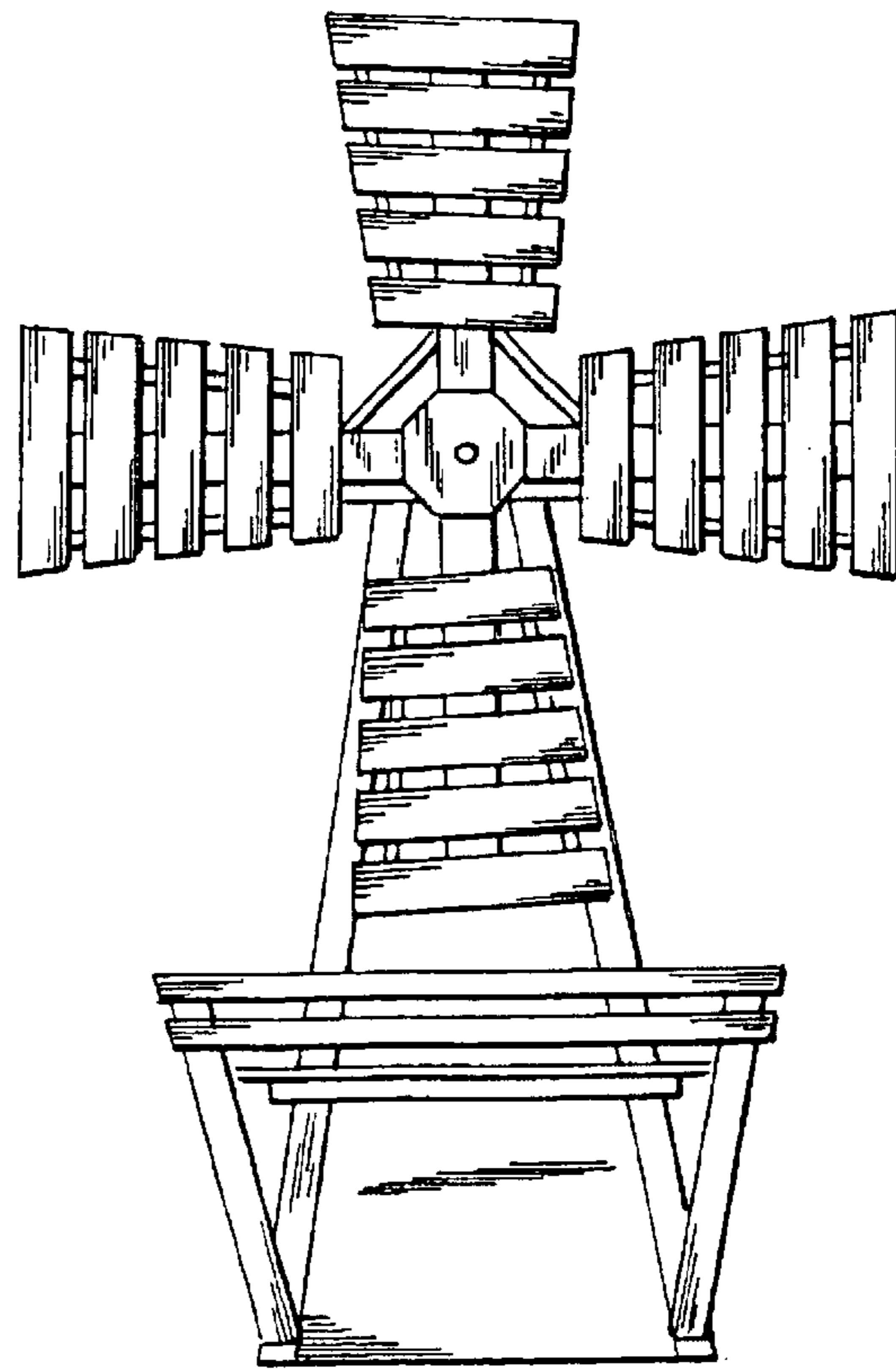


FIG. 3

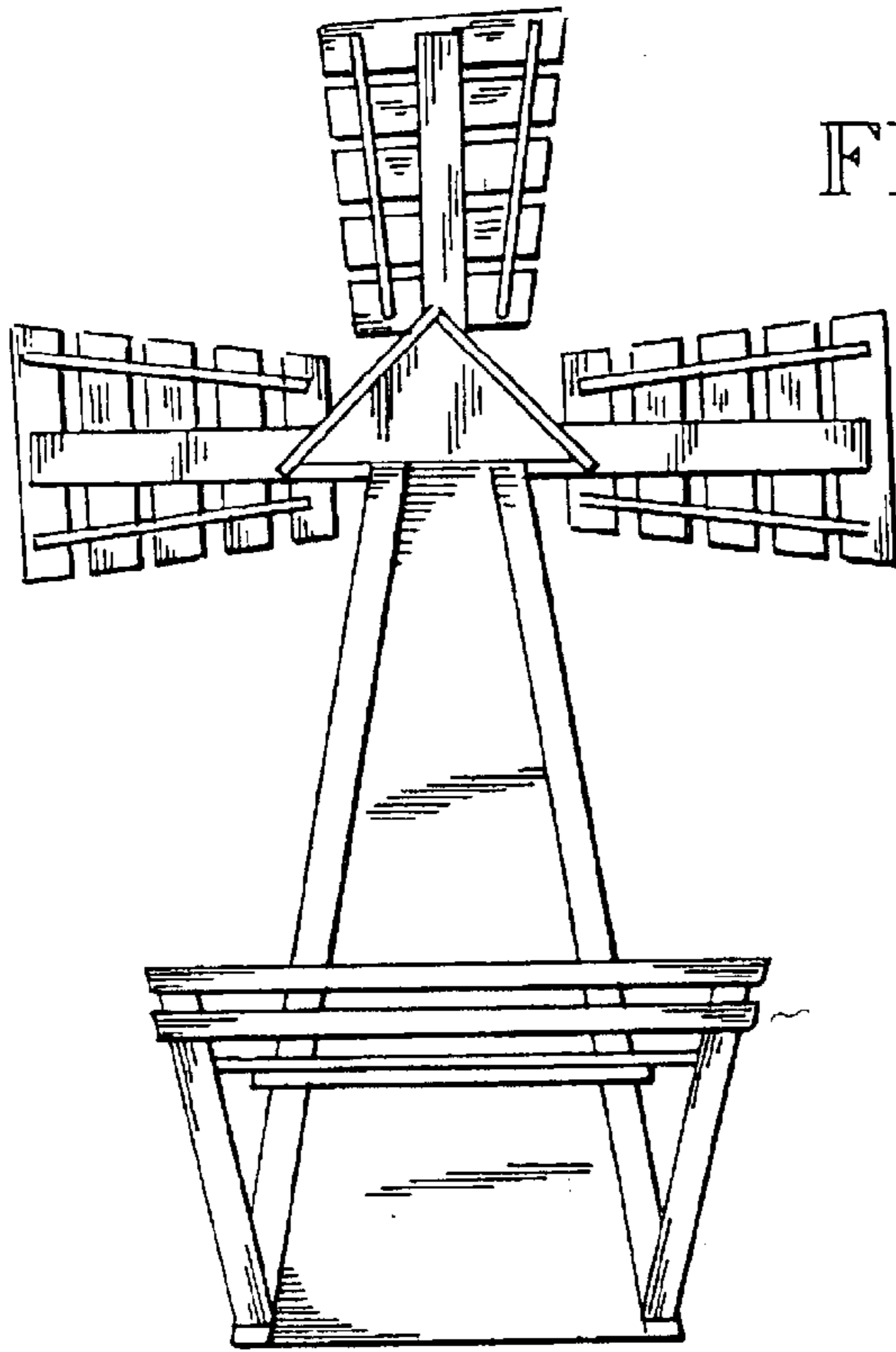


FIG. 4

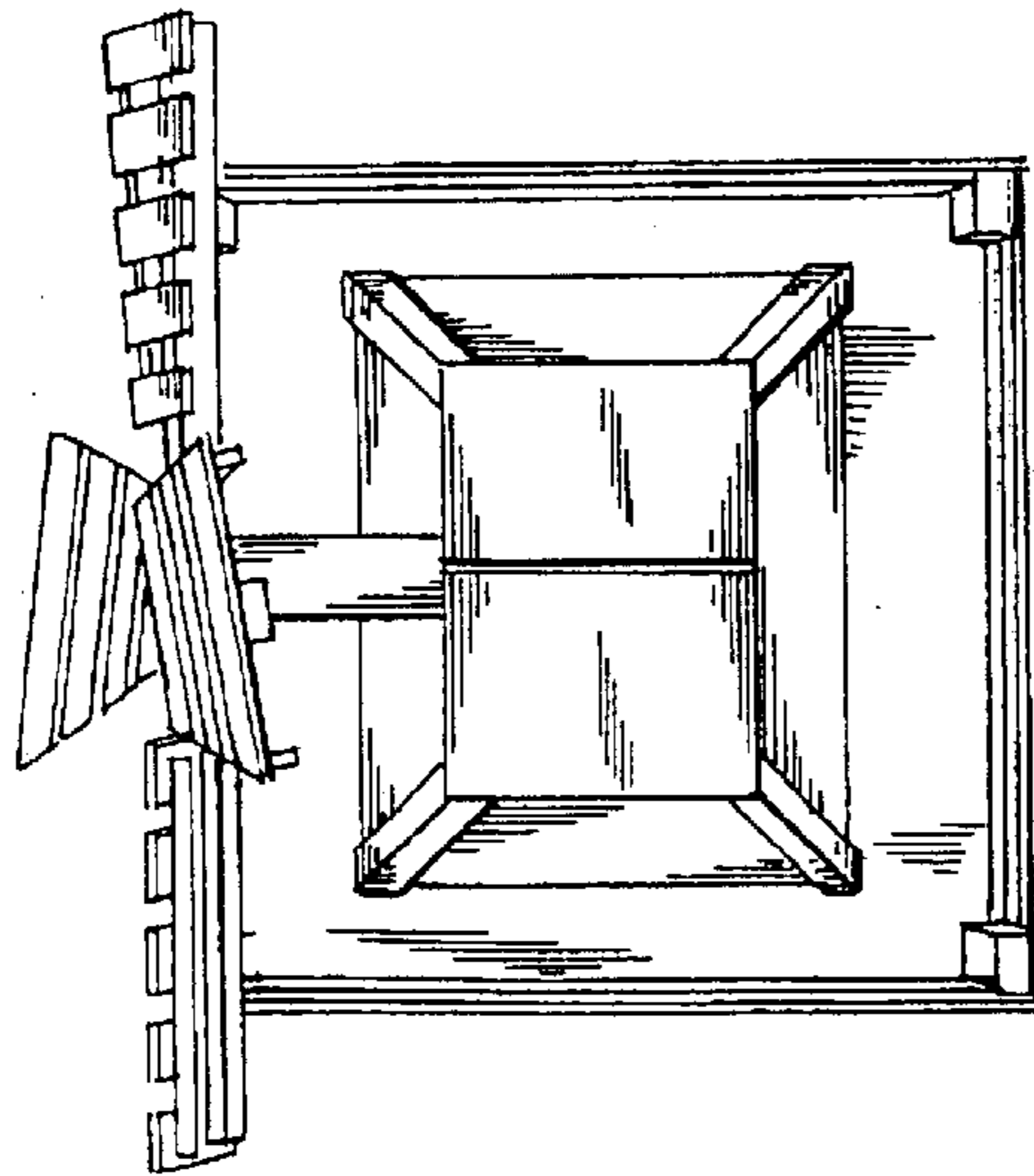


FIG. 5

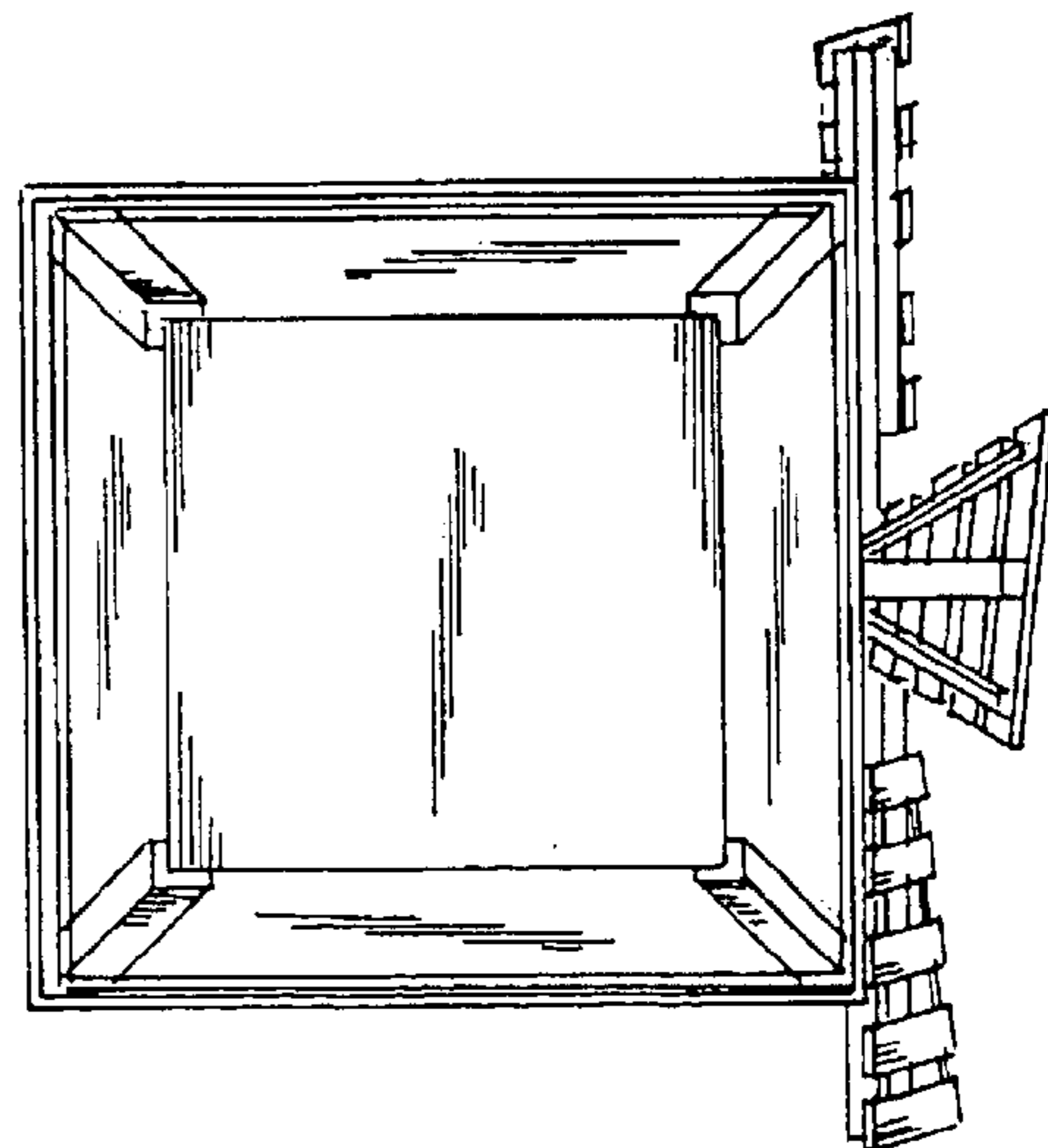


FIG. 6