

US00D496734S1

(12) **United States Design Patent**  
**Konishi et al.**

(10) **Patent No.: US D496,734 S**  
(45) **Date of Patent: \*\* Sep. 28, 2004**

(54) **ASSEMBLED STORE FOR BEAUTY AND HAIRDRESSING**

(75) Inventors: **Kuniyoshi Konishi**, Tokyo (JP); **Koji Araki**, Tokyo (JP); **Takashi Moriya**, Tokyo (JP); **Ryuji Karasawa**, Hiroshima (JP); **Fumihiko Kanda**, Hiroshima (JP)

(73) Assignee: **QB.Net Co., Ltd.**, Tokyo (JP)

(\*\*) Term: **14 Years**

(21) Appl. No.: **29/170,870**

(22) Filed: **Nov. 14, 2002**

(51) **LOC (7) Cl.** ..... **25-03**

(52) **U.S. Cl.** ..... **D25/1**

(58) **Field of Search** ..... D25/35, 1, 3; 52/28, 52/36.1

(56) **References Cited**

**U.S. PATENT DOCUMENTS**

- D202,545 S \* 10/1965 Gould ..... D25/35
- 4,177,612 A \* 12/1979 Tochiara ..... 52/28
- D450,132 S \* 11/2001 Garner et al. .... D25/1

\* cited by examiner

*Primary Examiner*—Doris Clark

(74) *Attorney, Agent, or Firm*—Sughrue Mion, PLLC

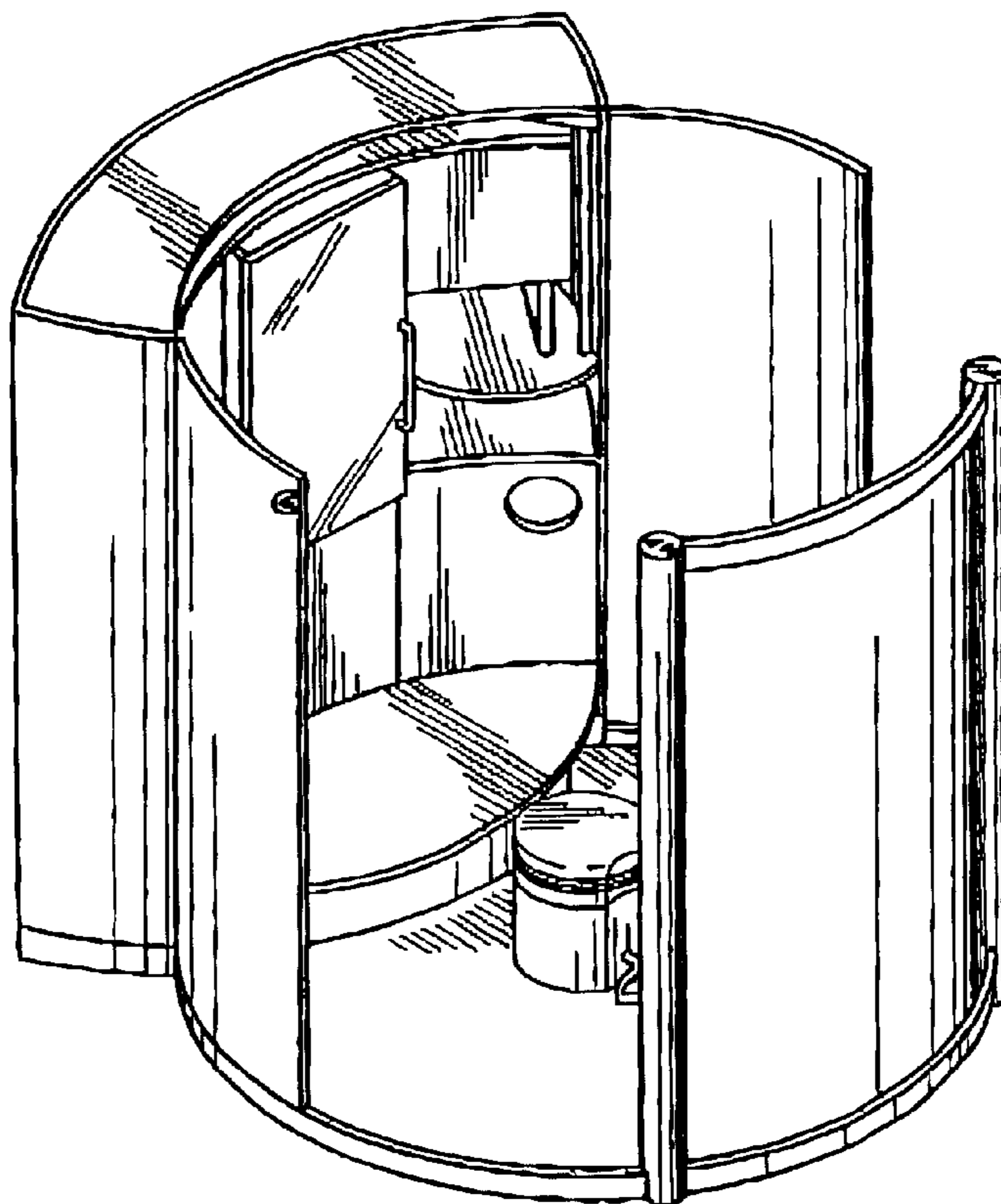
(57) **CLAIM**

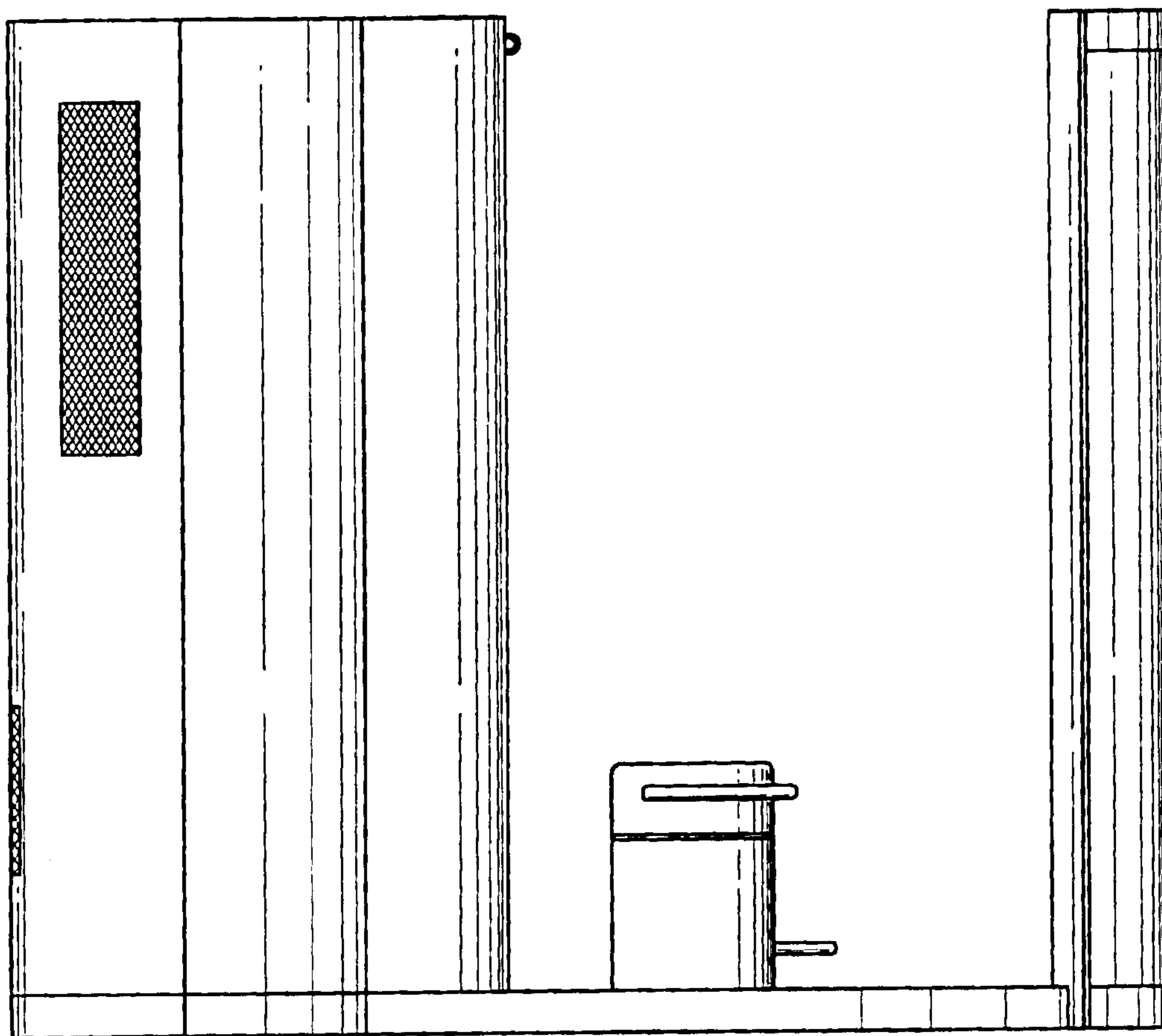
The ornamental design for an assembled store for beauty and hairdressing, as shown and described.

**DESCRIPTION**

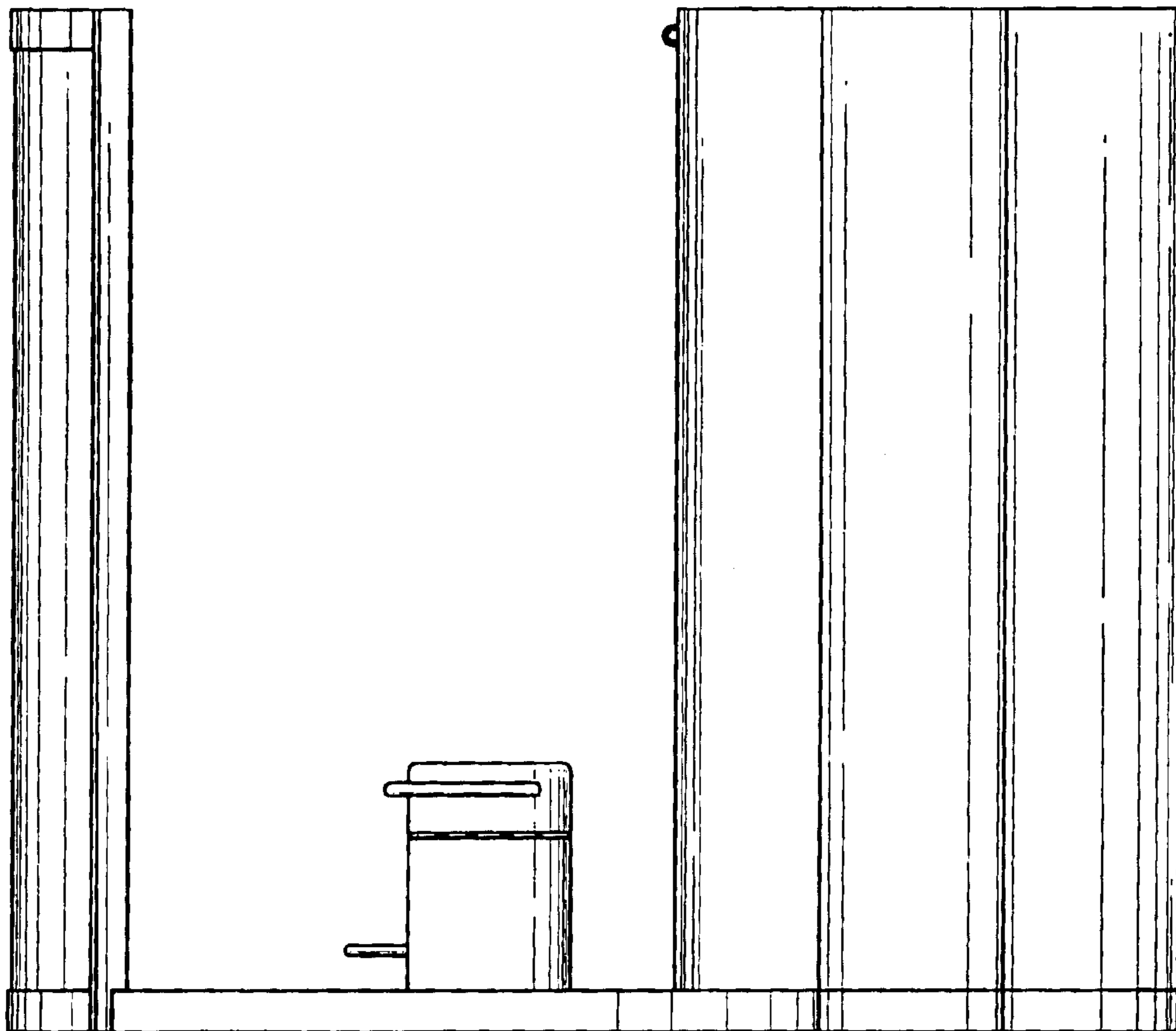
FIG. 1 is a front elevational view of an assembled store for beauty and hairdressing showing our new design;  
 FIG. 2 is a rear elevational view thereof;  
 FIG. 3 is a top plan view thereof;  
 FIG. 4 is a bottom plan view thereof;  
 FIG. 5 is a right side elevational view thereof;  
 FIG. 6 is a left side elevational view thereof;  
 FIG. 7 is a top plan view thereof, with the doors of the cabinet opened;  
 FIG. 8 is a front elevational view thereof, with the doors of the cabinet opened;  
 FIG. 9 is a sectional view taken along the line 9—9 in FIG. 7;  
 FIG. 10 is a sectional view shown in FIG. 9, with the mirror slidably moved, and the door of the shelf opened;  
 FIG. 11 is a central longitudinal sectional end view taken along line 11—11 of FIG. 7;  
 FIG. 12 is a sectional end view taken along the line 12—12 portion in FIG. 7 thereof;  
 FIG. 13 is a sectional end view taken along the line 13—13 in FIG. 7 thereof;  
 FIG. 14 is a perspective view thereof; and,  
 FIG. 15 is a perspective view thereof, with the doors of the cabinet opened.

**1 Claim, 15 Drawing Sheets**

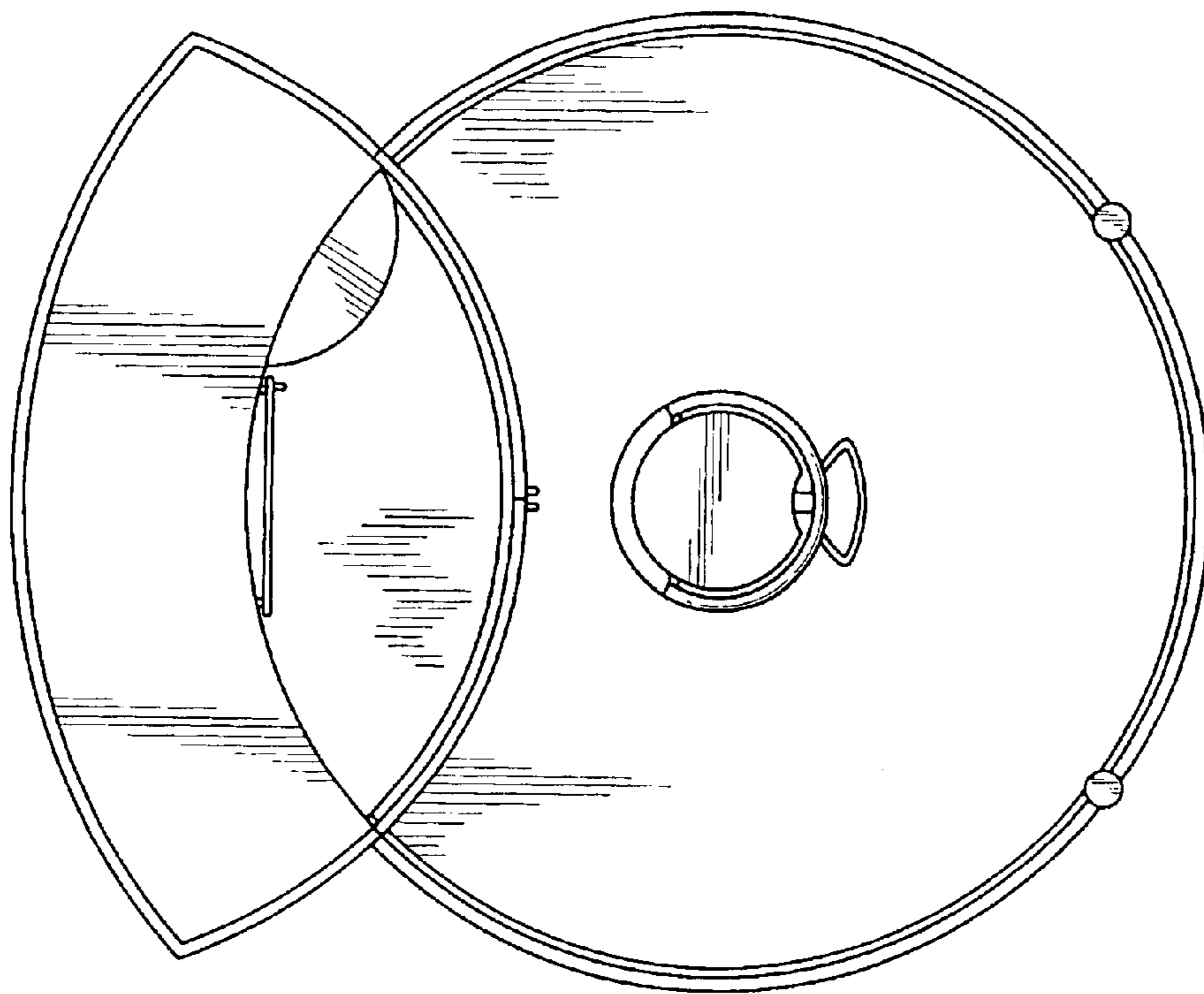




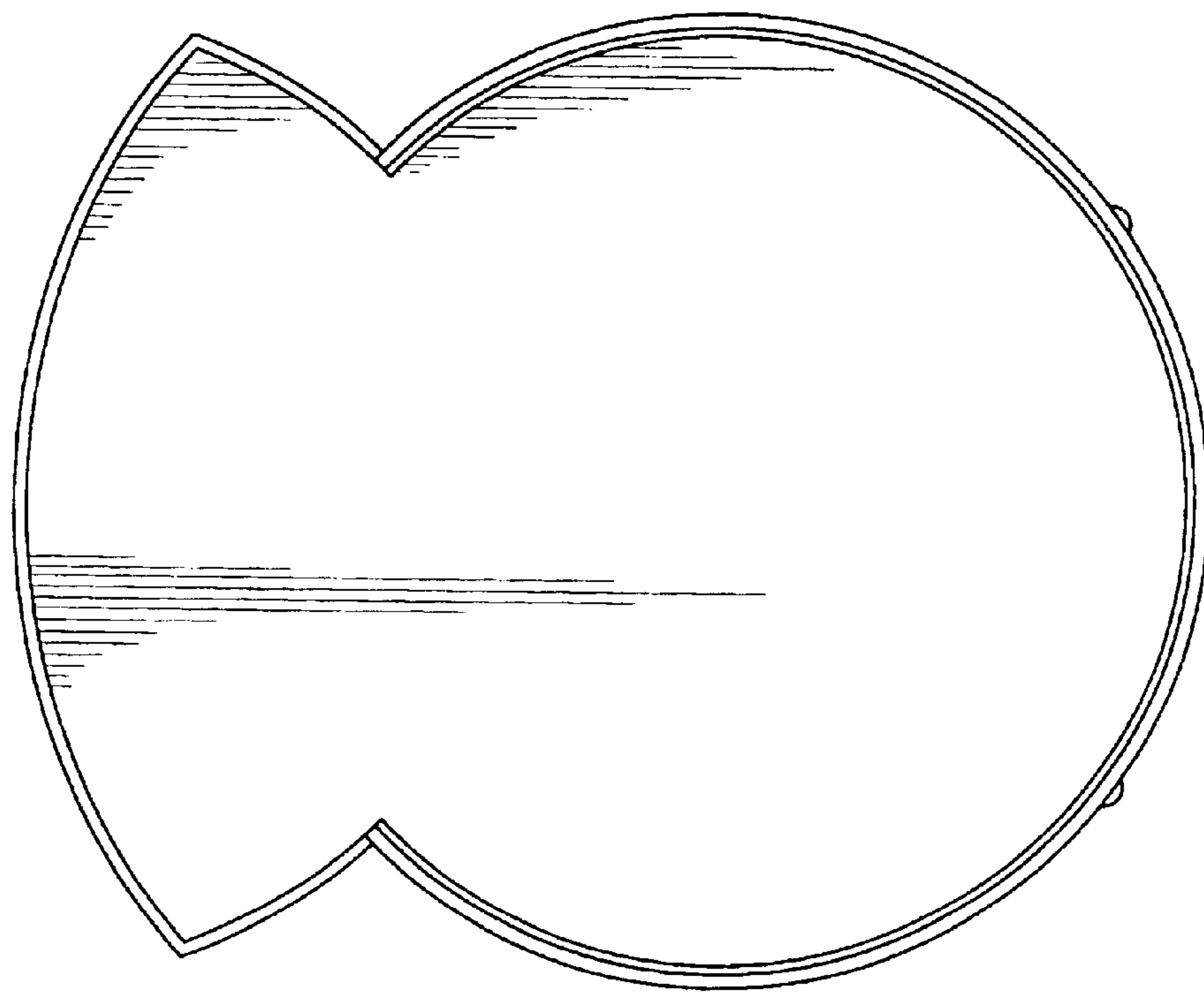
*Fig. 1*



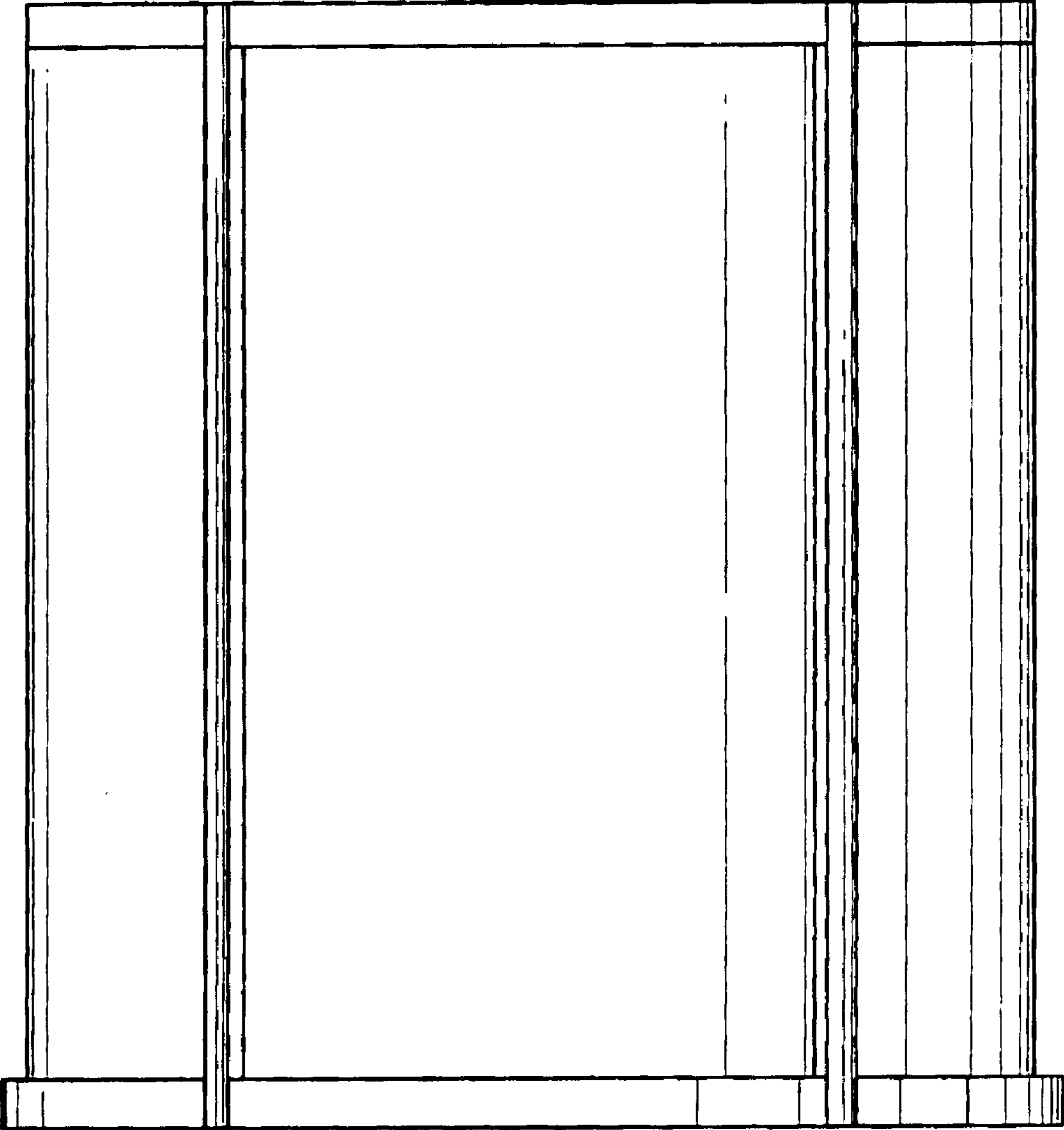
*Fig. 2*



*Fig. 3*



*Fig. 4*



*Fig. 5*

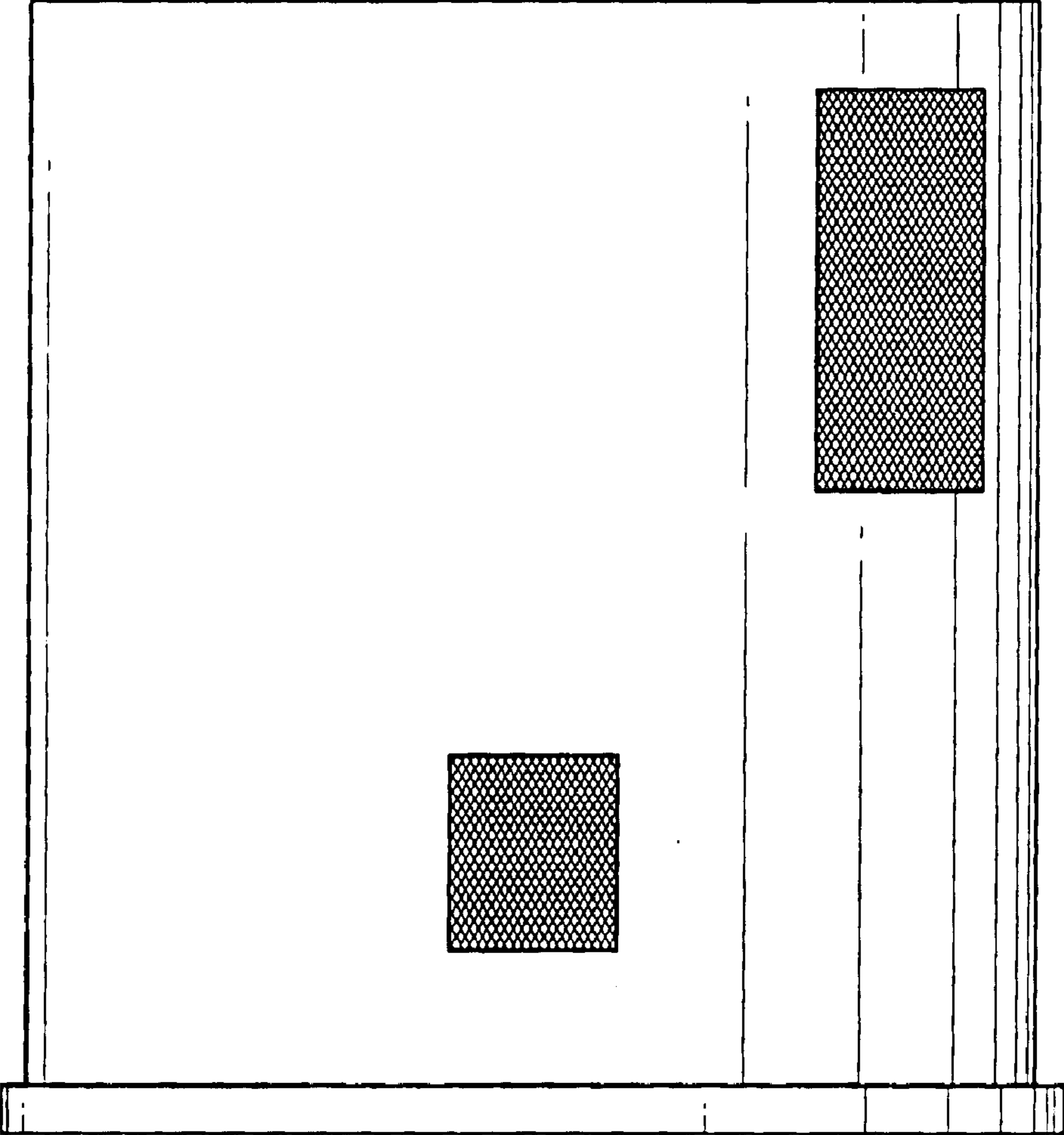


Fig. 6



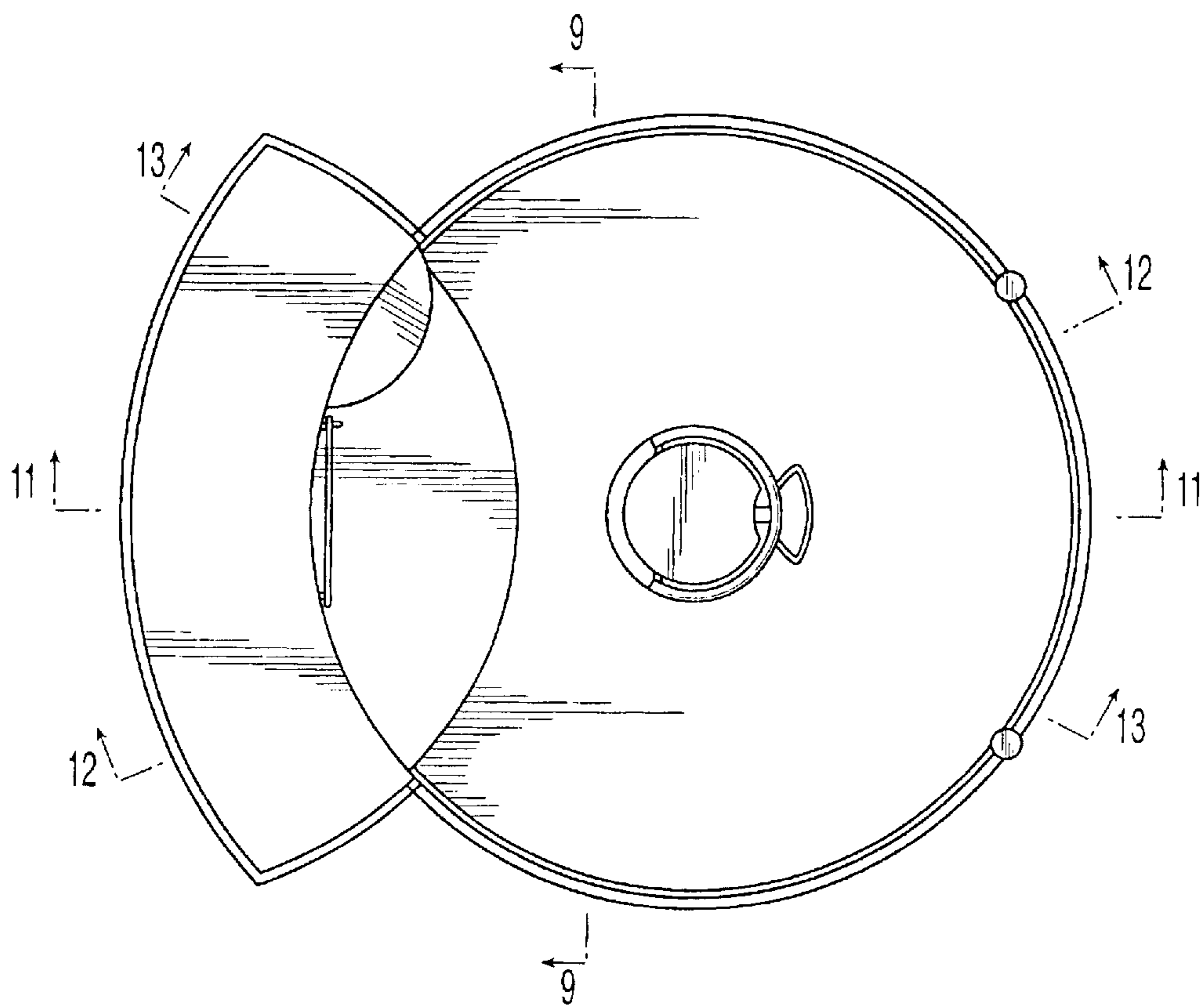
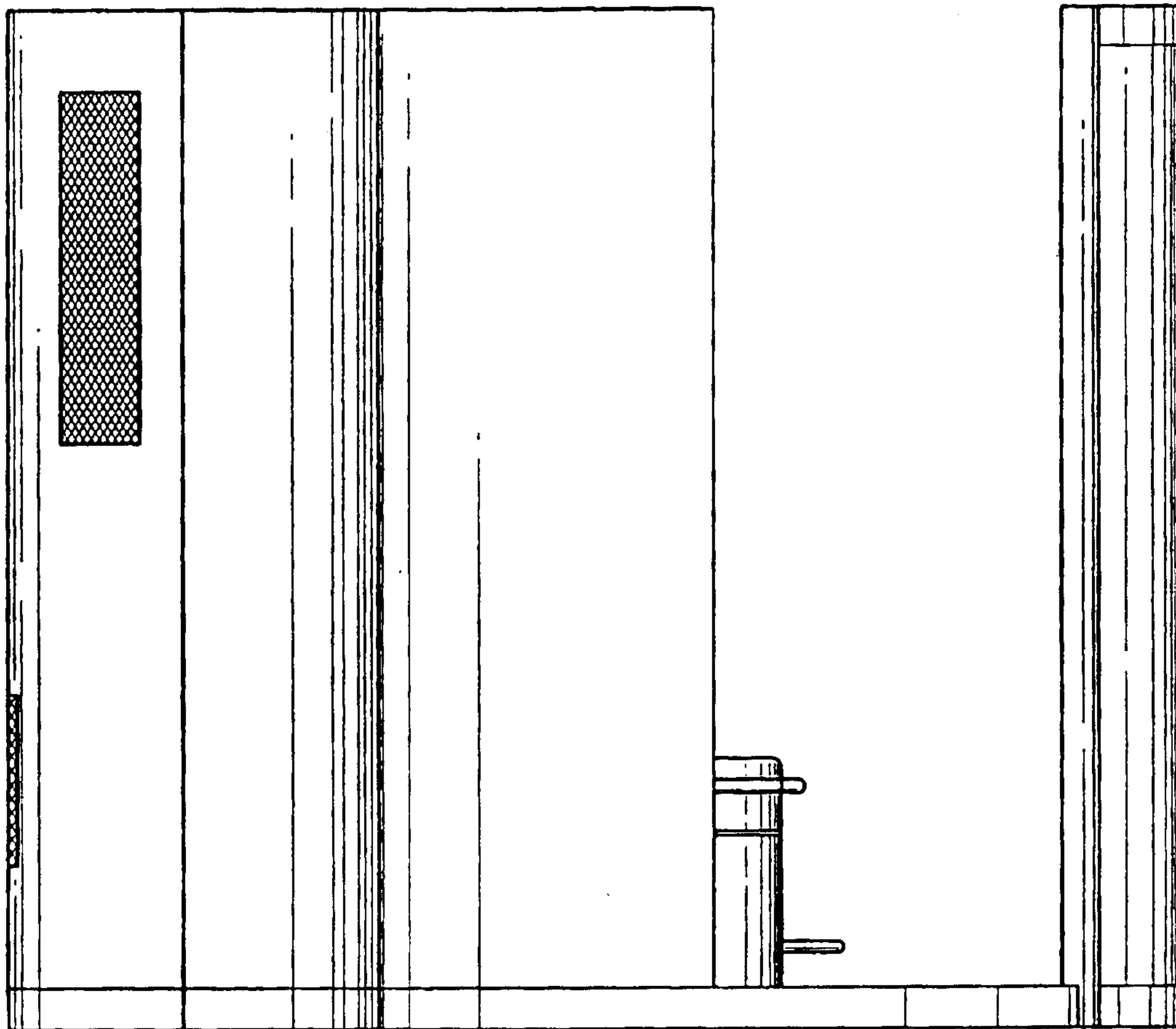
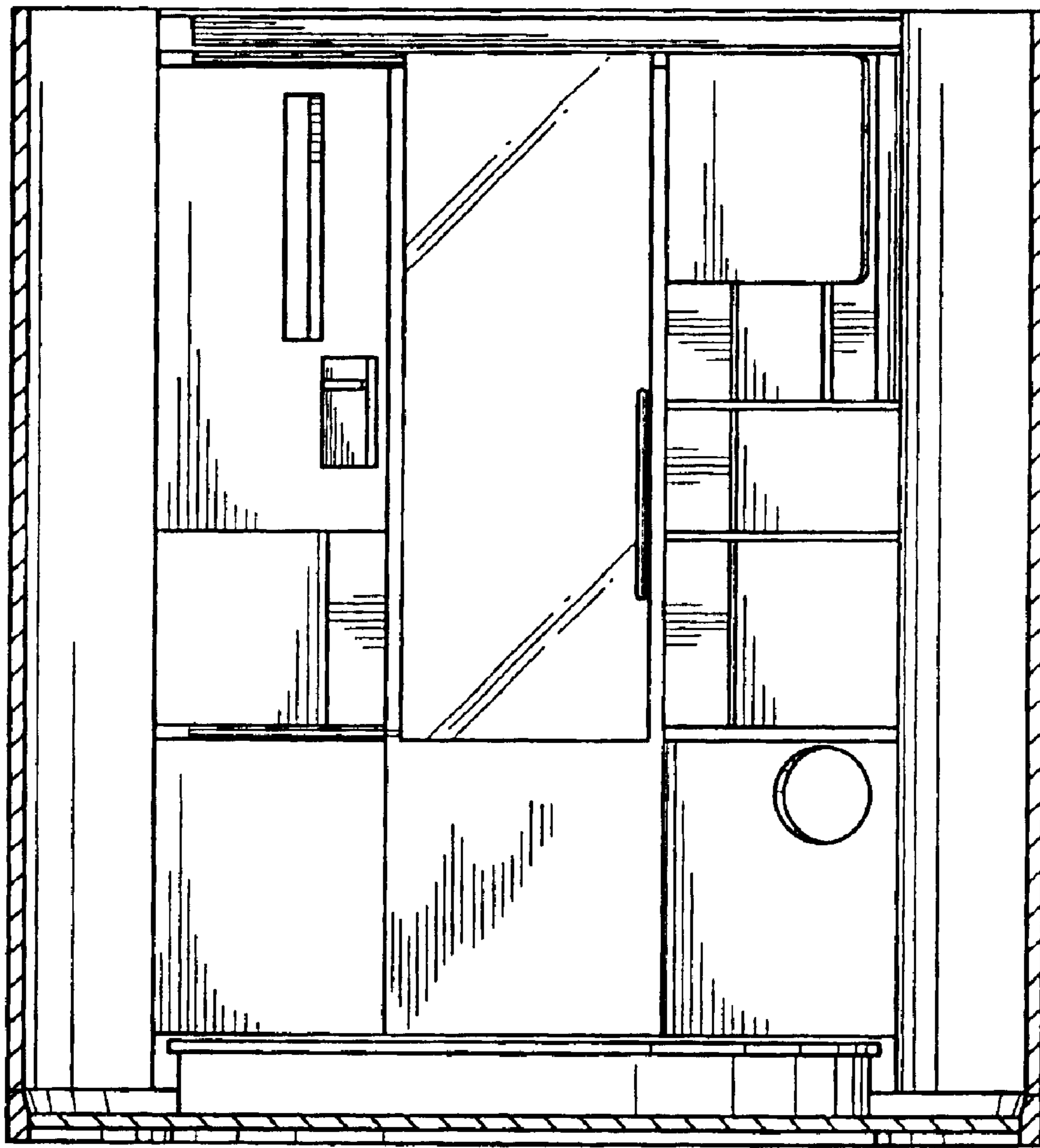


Fig. 7

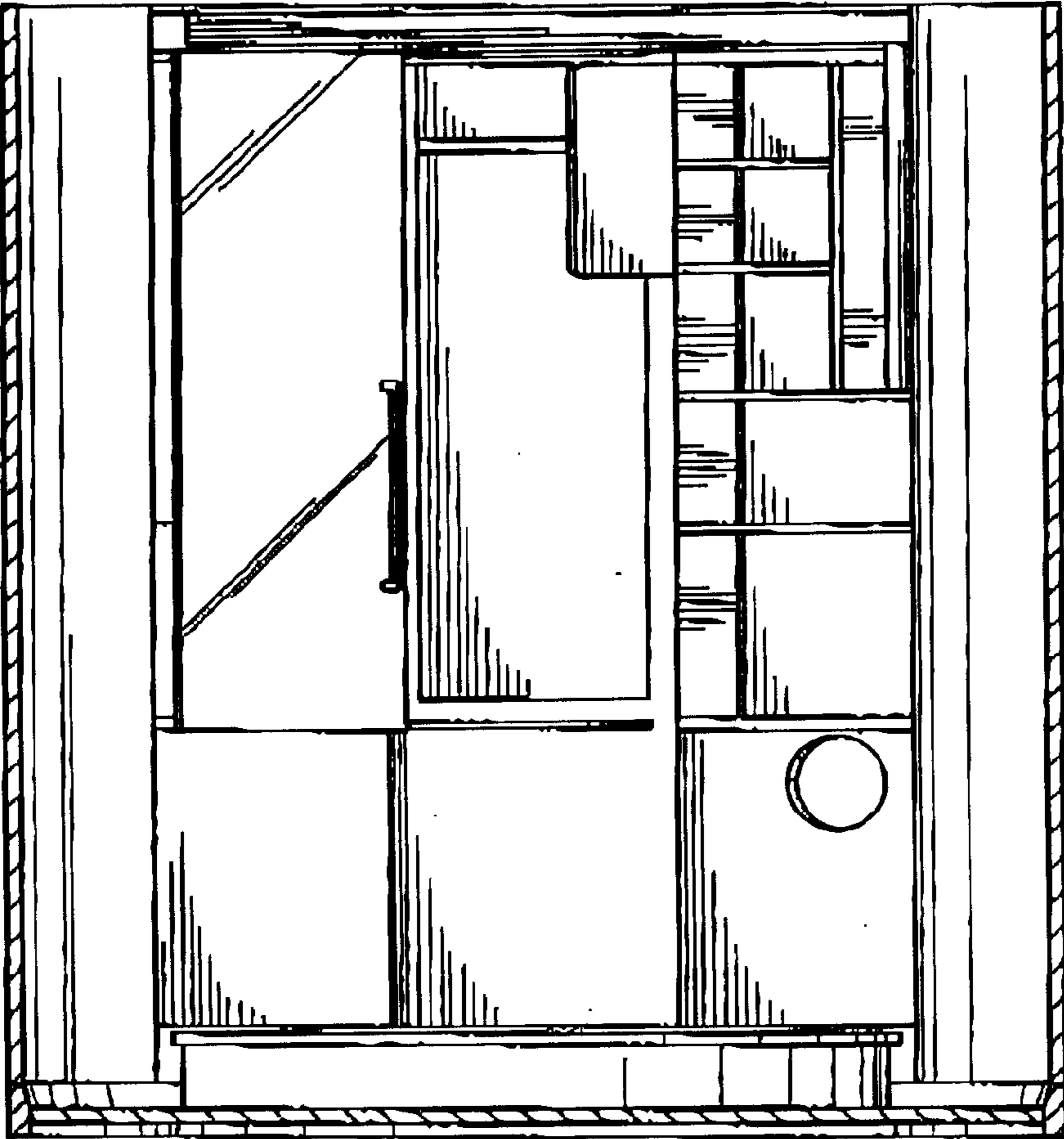




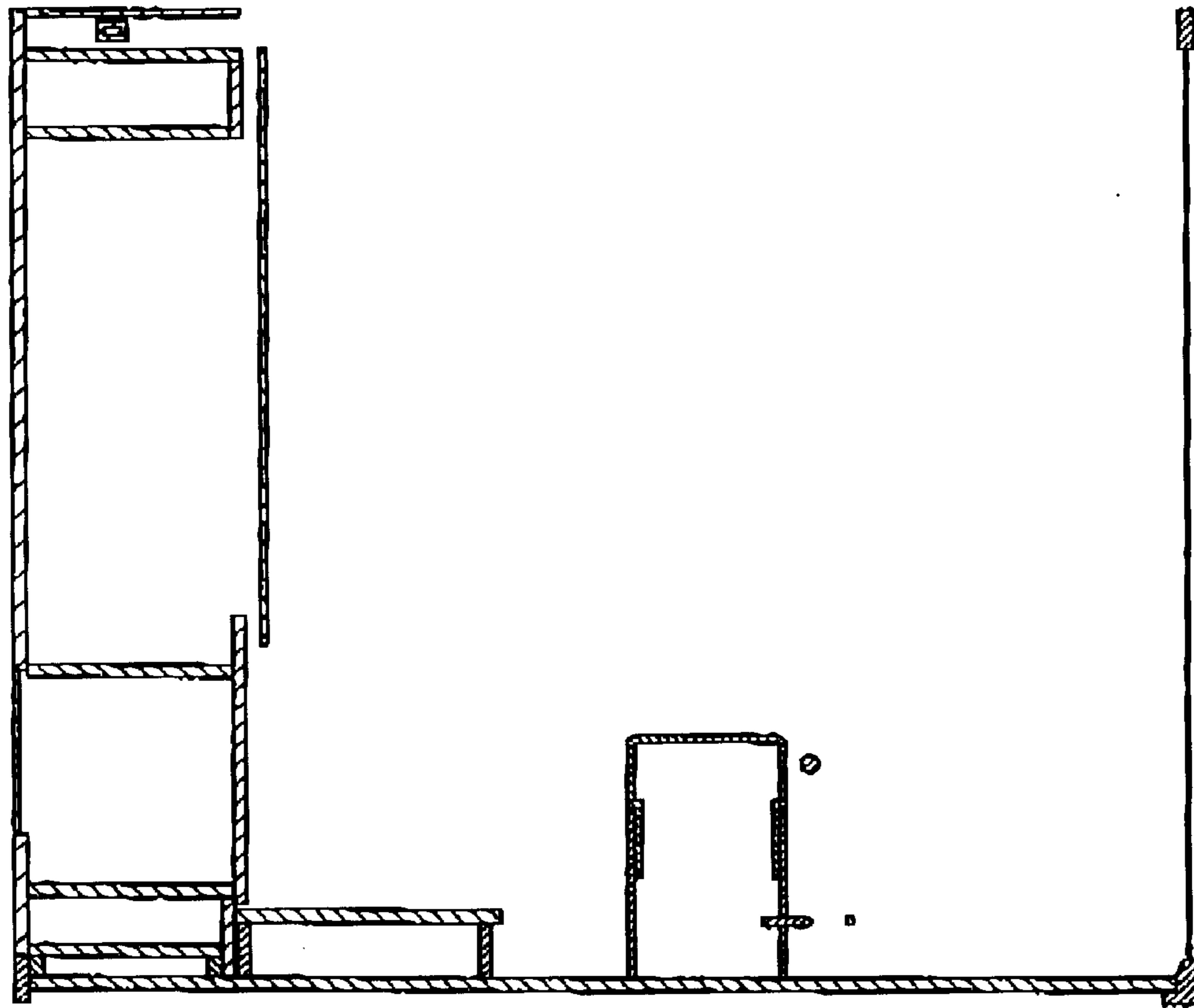
*Fig. 8*



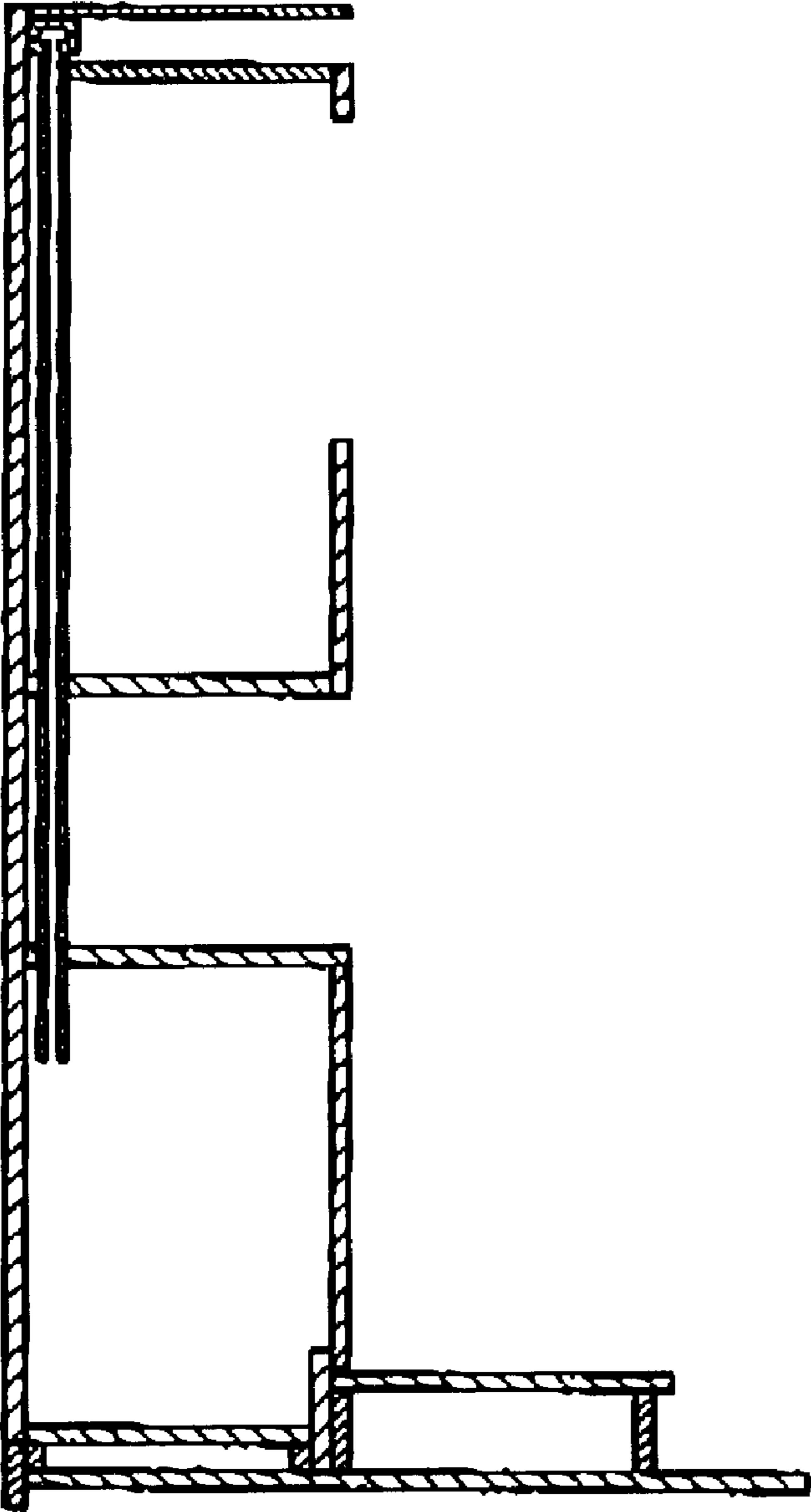
*Fig. 9*



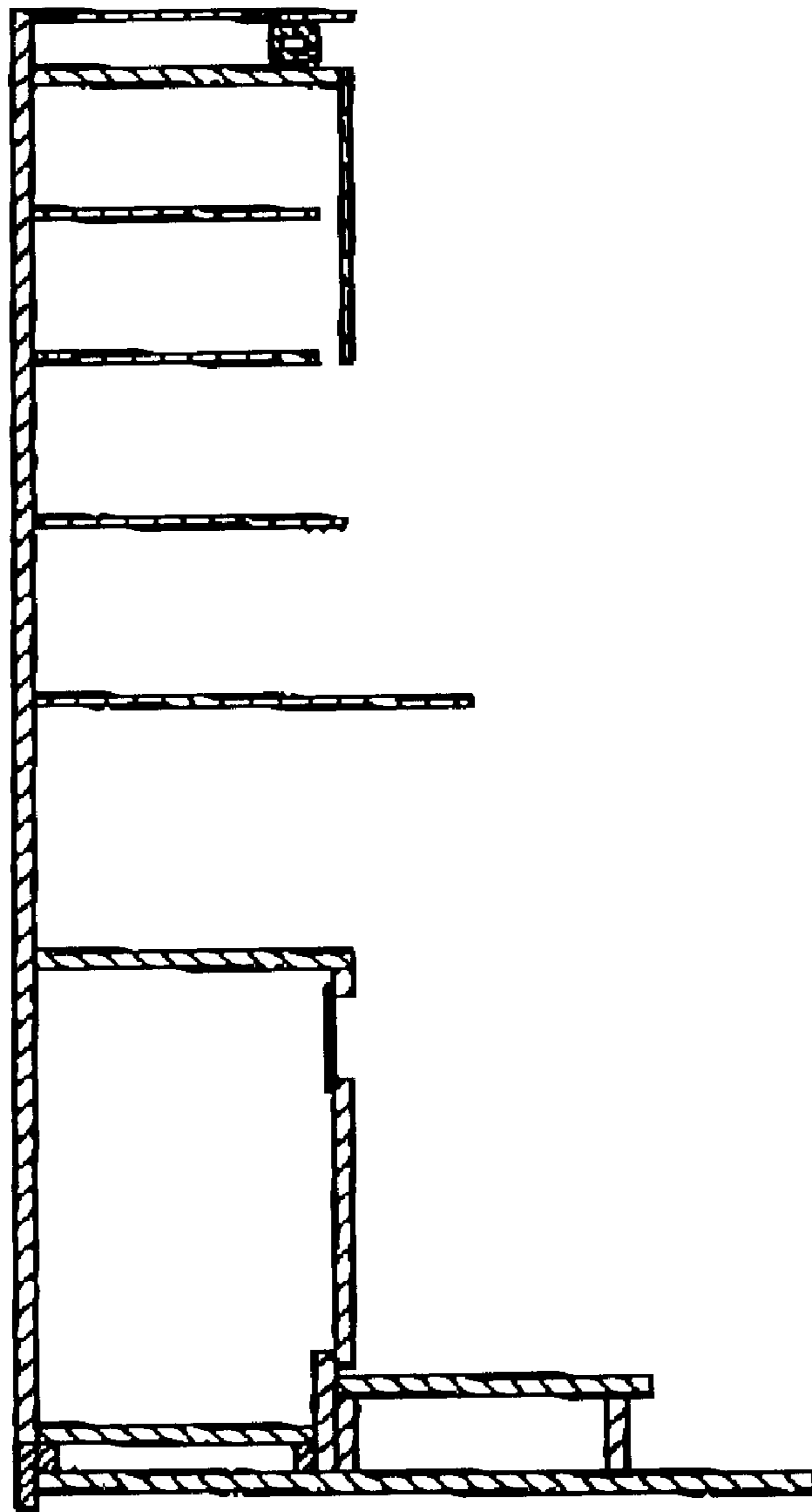
*Fig. 10*



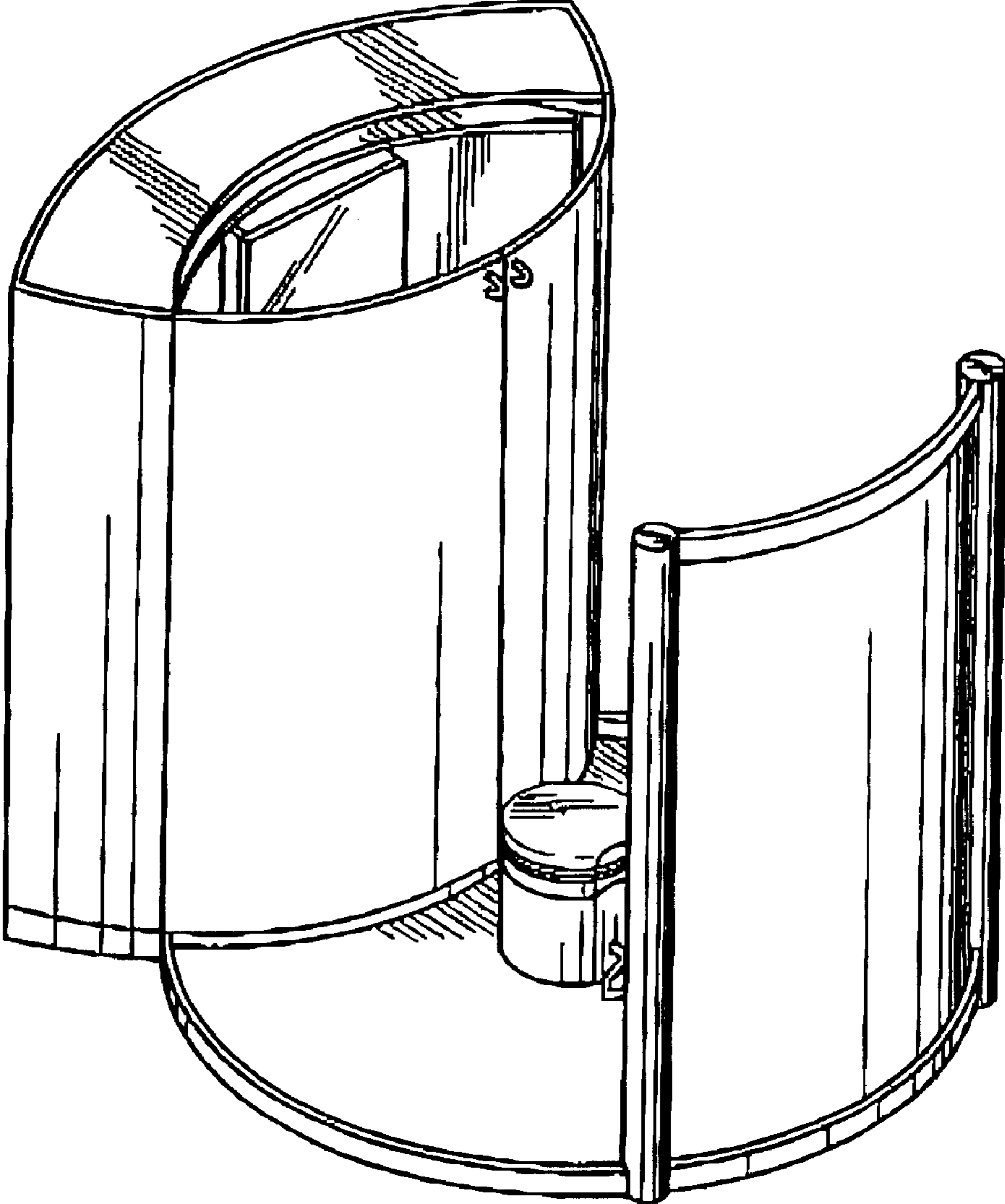
*Fig. 11*



*Fig. 12*

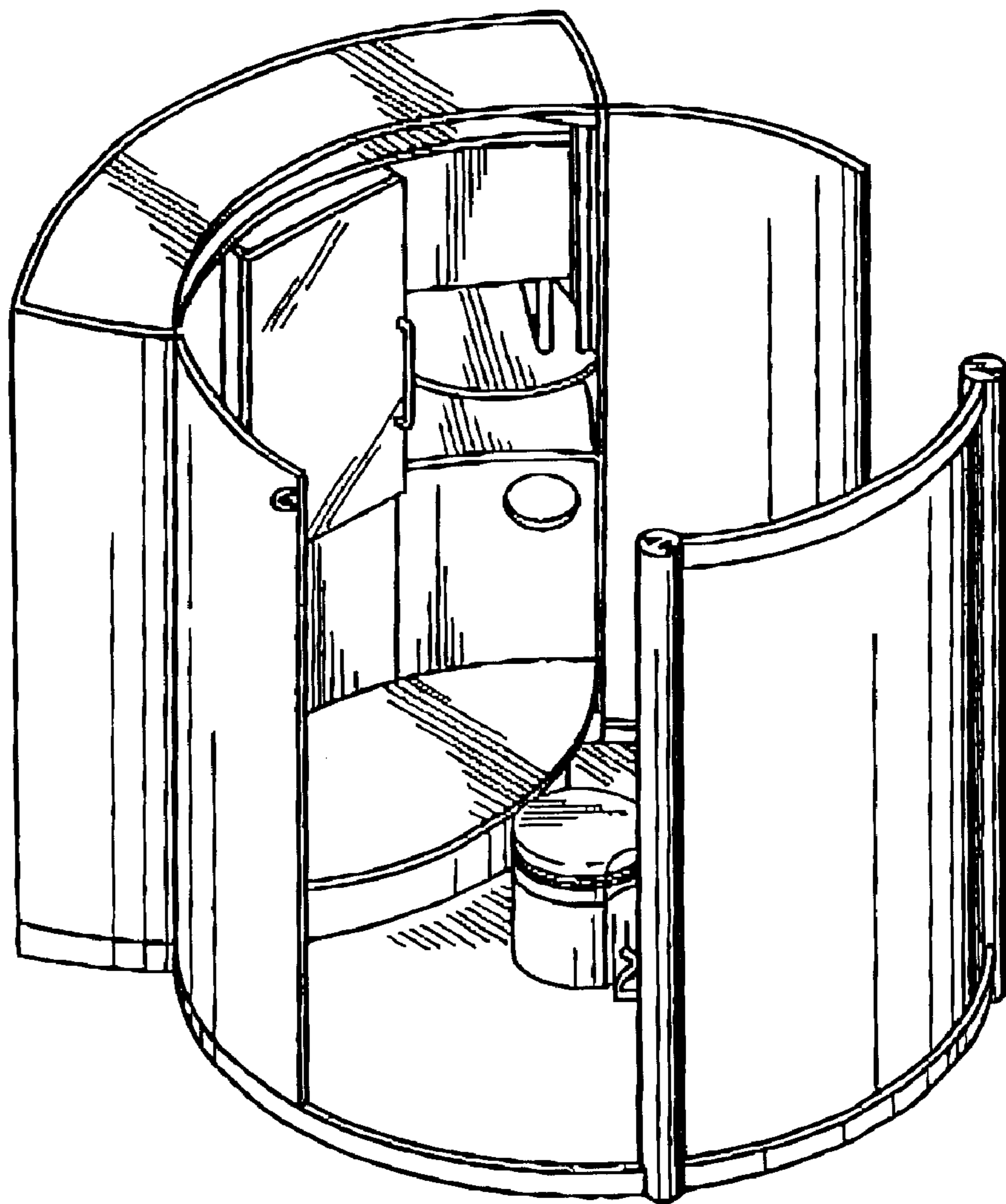


*Fig. 13*



*Fig. 14*





*Fig. 15*