

US00D496733S1

(12) **United States Design Patent**
Morano et al.

(10) **Patent No.:** **US D496,733 S**
(45) **Date of Patent:** **** Sep. 28, 2004**

- (54) **NURSING BOTTLE**
- (75) Inventors: **Emanuel P. Morano**, Totowa, NJ (US);
Daniel J. Nelsen, Providence, RI (US)
- (73) Assignee: **Gerber Products Company**, Fremont,
MI (US)
- (**) Term: **14 Years**
- (21) Appl. No.: **29/190,112**
- (22) Filed: **Sep. 15, 2003**
- (51) **LOC (7) Cl.** **07-01**
- (52) **U.S. Cl.** **D24/197**
- (58) **Field of Search** D24/197; 215/11.1,
215/11.2, 11.3, 11.4, 11.5, 11.6; D7/526,
527, 524, 518, 515, 511, 509, 507, 523,
562, 561, 534, 535, 419

(56) **References Cited**
U.S. PATENT DOCUMENTS

1,075,119 A	10/1913	Reichner
1,632,854 A	6/1927	Rogers
1,672,466 A	6/1928	Oshman et al.
1,672,467 A	6/1928	Oshman et al.
1,733,184 A	10/1929	Decker
1,749,313 A	3/1930	Burtchaell
3,273,703 A	9/1966	Stribley
3,366,261 A	1/1968	Dewey
3,530,979 A	9/1970	Merrill, Jr. et al.
3,593,870 A	7/1971	Anderson
3,645,413 A	2/1972	Mitchell
3,651,973 A	3/1972	Yamauchi
3,677,198 A	7/1972	Yang et al.
3,746,198 A	7/1973	Howland
3,747,414 A	7/1973	Ohno
3,747,791 A	7/1973	Fouser
3,796,337 A	3/1974	Seunevel
3,820,692 A	6/1974	Swett et al.
4,613,050 A	9/1986	Atkin et al.

(List continued on next page.)

FOREIGN PATENT DOCUMENTS

FR	832916	10/1938
FR	1 003 787	3/1952

GB	782804	9/1957
GB	2 154 451	9/1985
IT	594305	5/1959

Primary Examiner—Louis S. Zarfes
Assistant Examiner—Sally Shih
(74) *Attorney, Agent, or Firm*—John W. Kung

(57) **CLAIM**

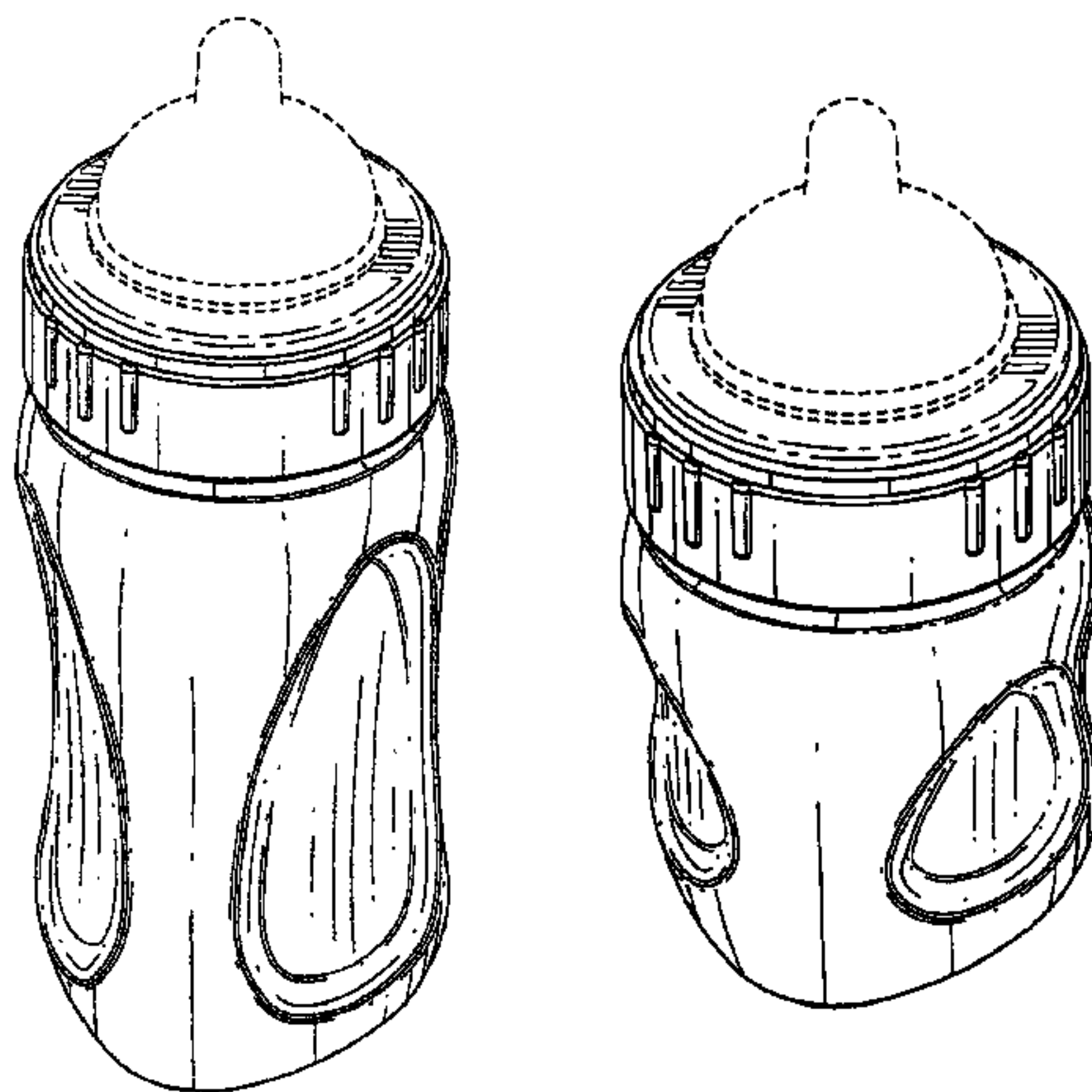
The ornamental design for a nursing bottle, as shown and described.

DESCRIPTION

FIG. 1 is an isometric view of a nursing bottle of our new design;
 FIG. 2 is a front elevational view of the nursing bottle of FIG. 1;
 FIG. 3 is a rear elevational view of the nursing bottle of FIG. 1;
 FIG. 4 is a left side elevational view of the nursing bottle of FIG. 1;
 FIG. 5 is a right side elevational view of the nursing bottle of FIG. 1;
 FIG. 6 is a top plan view of the nursing bottle of FIG. 1;
 FIG. 7 is a bottom plan view of the nursing bottle of FIG. 1;
 FIG. 8 is an isometric view of a shorter embodiment of the nursing bottle of FIG. 1;
 FIG. 9 is a front elevational view of the nursing bottle of FIG. 8;
 FIG. 10 is a rear elevational view of the nursing bottle of FIG. 8;
 FIG. 11 is a left side elevational view of the nursing bottle of FIG. 8;
 FIG. 12 is a right side elevational view of the nursing bottle of FIG. 8;
 FIG. 13 is a top plan view of the nursing bottle of FIG. 8;
 and,
 FIG. 14 is a bottom plan view of the nursing bottle of FIG. 8.

The broken line showing of the nipple in the FIGS. 1 through 6 and 8 through 13 is for illustrative purposes only and forms no part of our claimed design.

1 Claim, 8 Drawing Sheets



US D496,733 S

Page 2

U.S. PATENT DOCUMENTS

4,700,856 A	10/1987	Campbell et al.	D376,430 S	* 12/1996	Humphrey et al.	D24/197
4,818,114 A	4/1989	Ghavi	5,579,935 A	12/1996	Atkin et al.	
4,915,242 A	4/1990	Marte	D383,847 S	9/1997	Skinner	
D309,948 S	8/1990	Chambers	D392,390 S	* 3/1998	Chan et al.	D24/197
D315,213 S	3/1991	Ohnuki	D393,075 S	3/1998	Allegre	
D315,409 S	3/1991	Baarber	5,788,369 A	8/1998	Tseng	
5,020,679 A	6/1991	Signorini	5,791,503 A	8/1998	Lyons	
5,038,948 A	8/1991	Signorini	5,794,802 A	8/1998	Caola	
5,069,351 A	12/1991	Gunderson et al.	5,863,126 A	1/1999	Guild	
D330,084 S	10/1992	Kwang	5,878,898 A	3/1999	Shefflin	
5,215,203 A	6/1993	Malcolm	D417,505 S	12/1999	Nuzzo	
5,295,597 A	3/1994	Green	6,016,929 A	1/2000	Williams	
5,316,160 A	5/1994	Cautereels	D420,448 S	2/2000	Brown et al.	
5,353,964 A	10/1994	Liu et al.	6,042,850 A	3/2000	Ida et al.	
D356,160 S	3/1995	Cautereels	D423,107 S	* 4/2000	Brown et al.	D24/197
5,419,445 A	5/1995	Kaesemeyer	D440,318 S	4/2001	Meyers et al.	
5,433,328 A	7/1995	Baron et al.	D441,087 S	* 4/2001	Johansen et al.	D24/197
D368,528 S	4/1996	Allegre	D441,872 S	5/2001	Johansen et al.	
D368,529 S	4/1996	Allegre	D462,449 S	9/2002	Morano	
5,509,549 A	4/1996	Marandola	D464,454 S	10/2002	Suzuki et al.	
D370,262 S	5/1996	Allegre	D478,669 S	8/2003	Wear	
5,547,275 A	8/1996	Lillelund et al.	D486,996 S	* 2/2004	Karp	D7/510
D374,150 S	10/1996	Lillelund et al.				

* cited by examiner

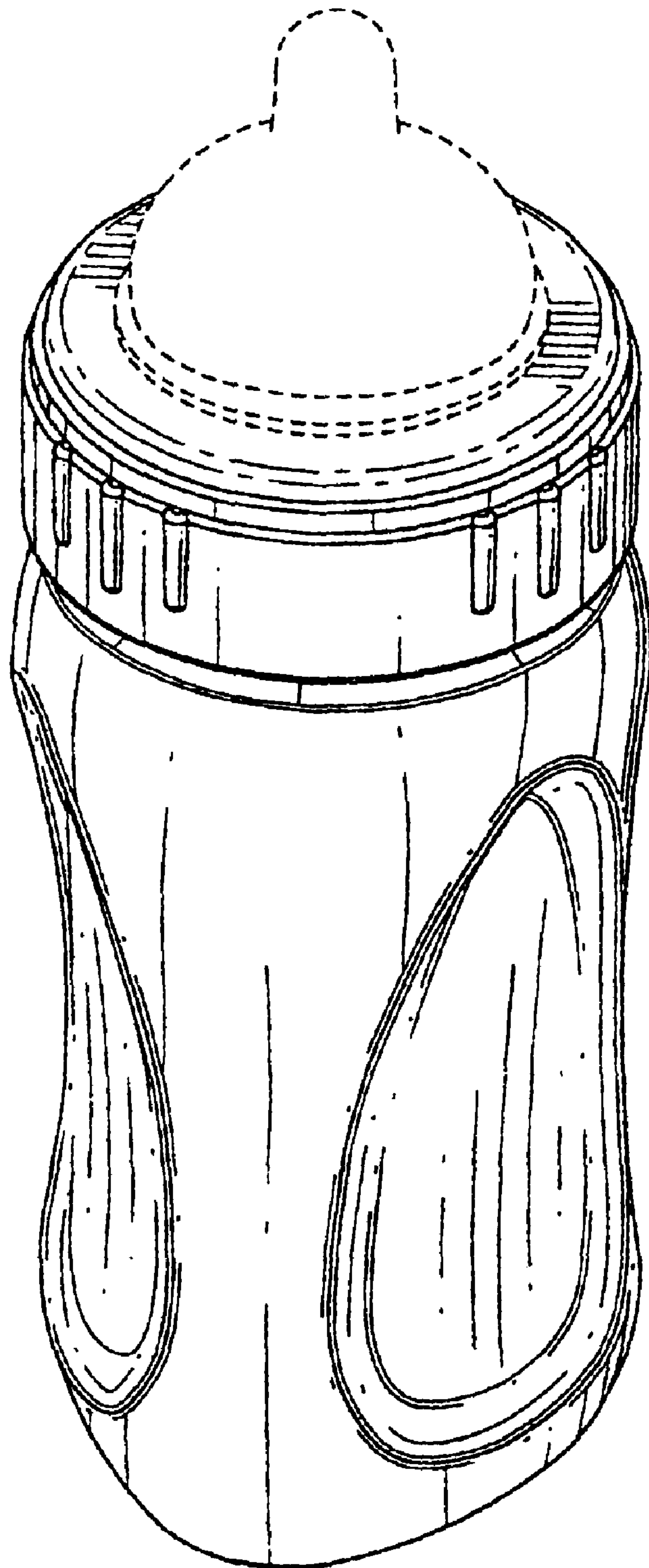


FIG. 1

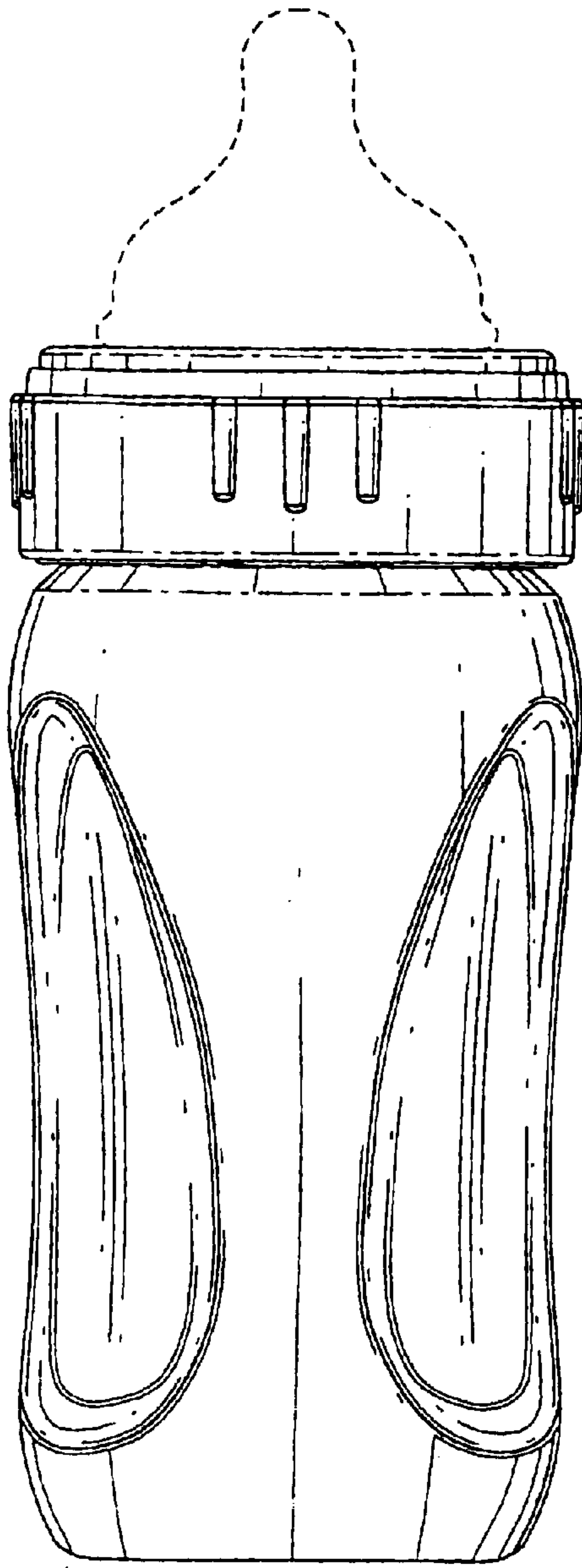


FIG. 2

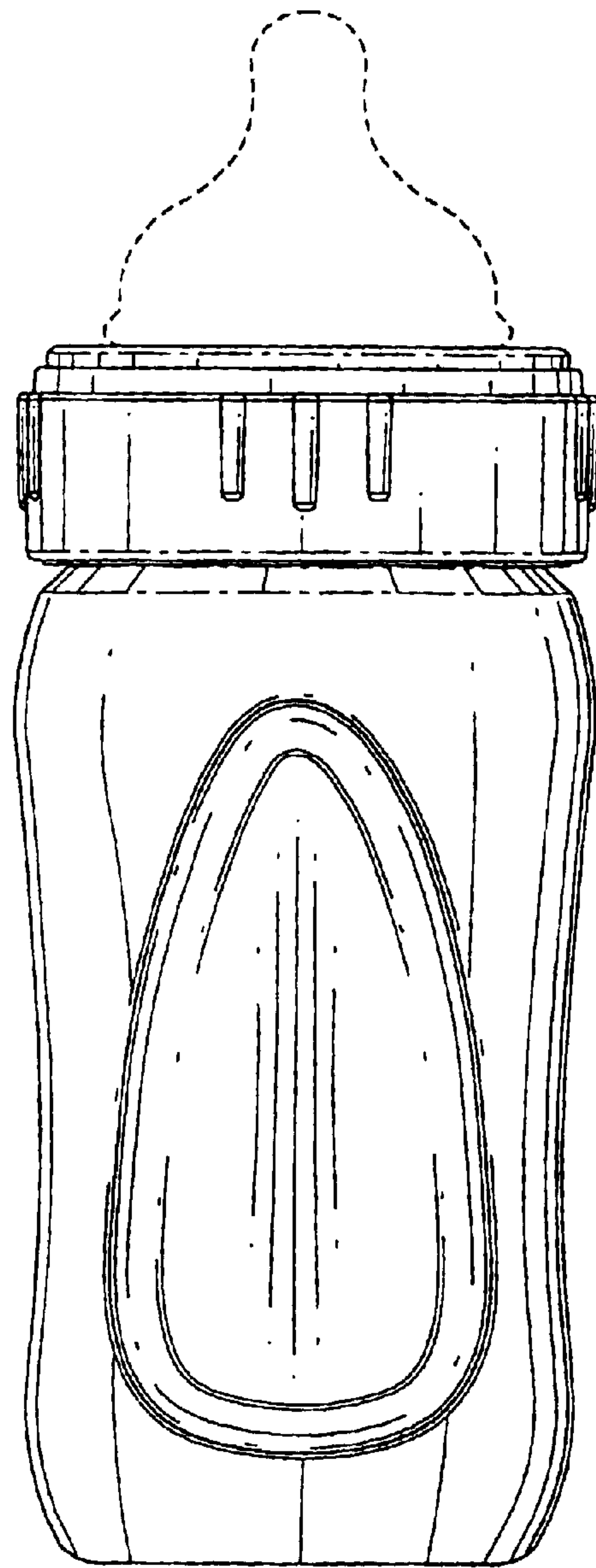


FIG. 3

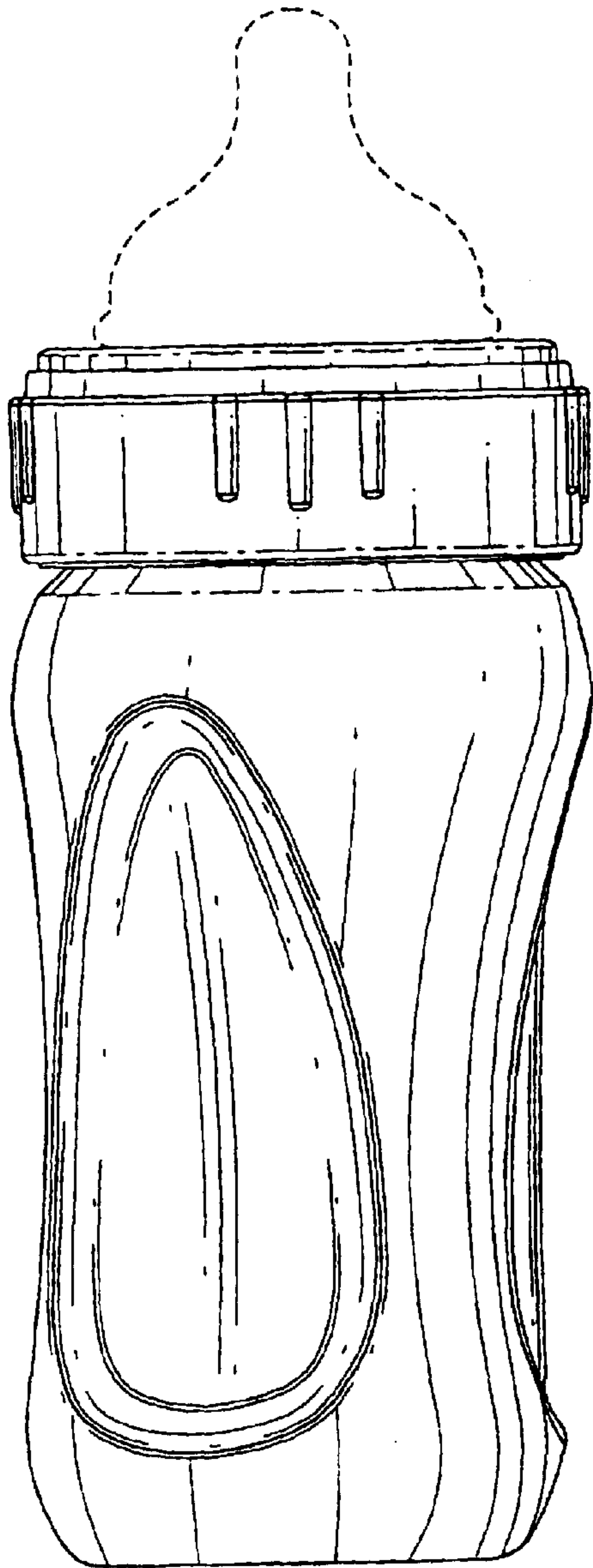


FIG. 4

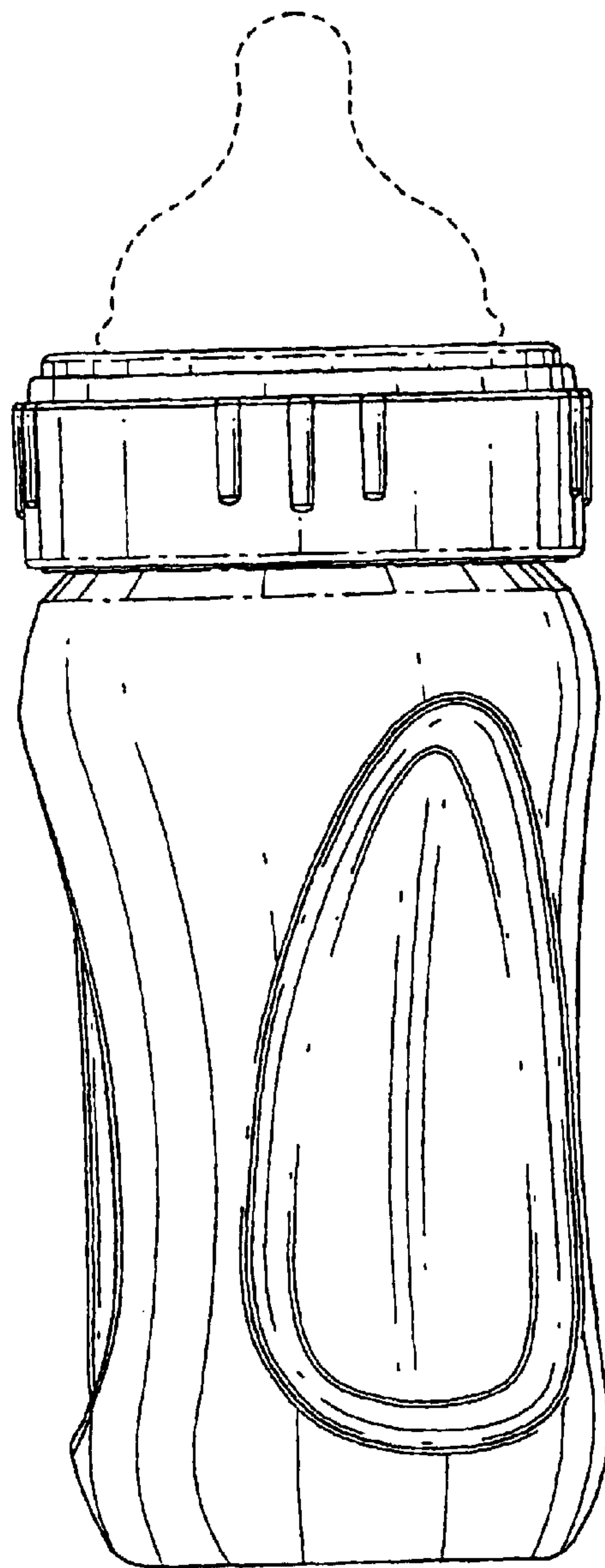


FIG. 5

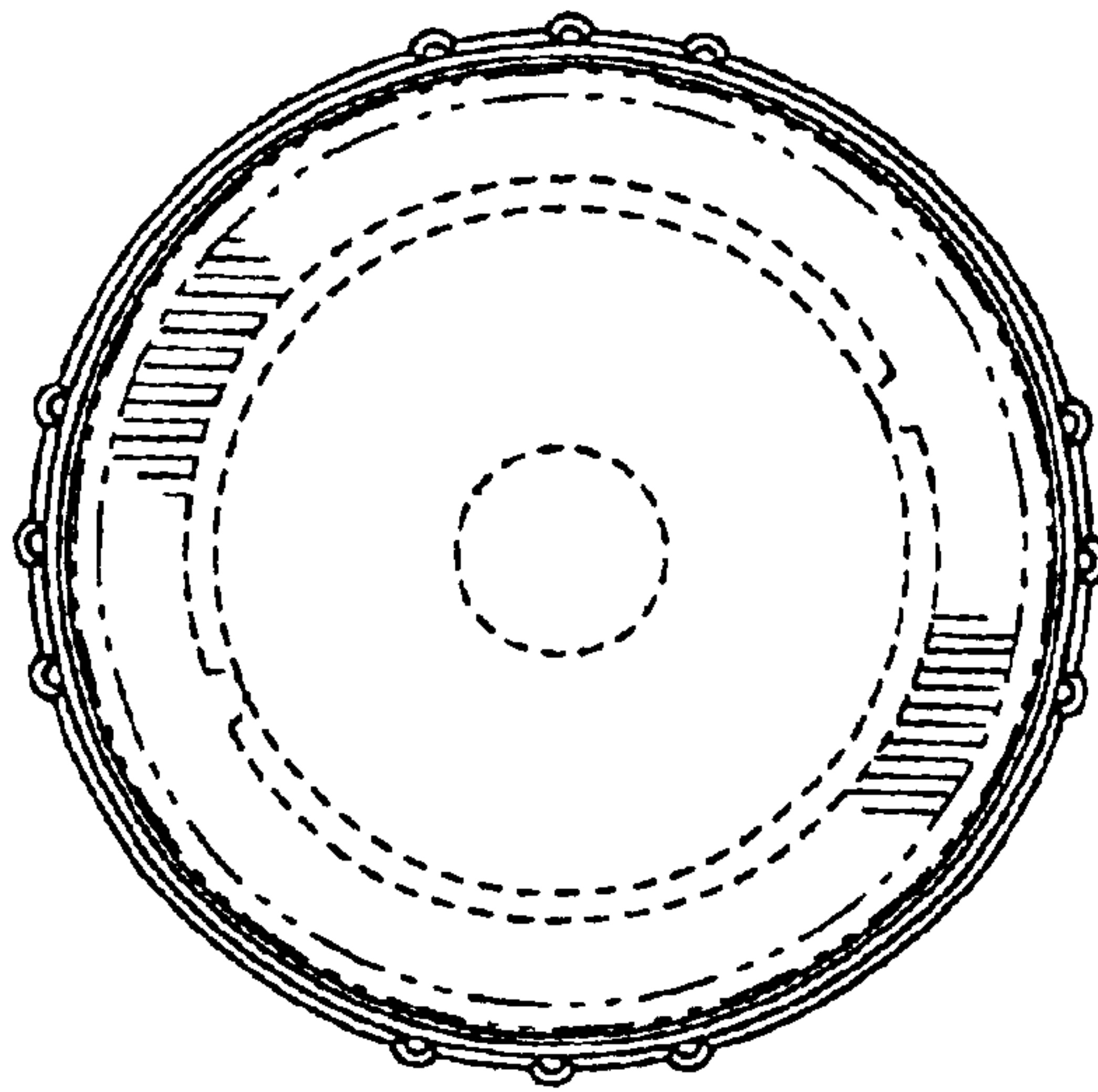


FIG. 6

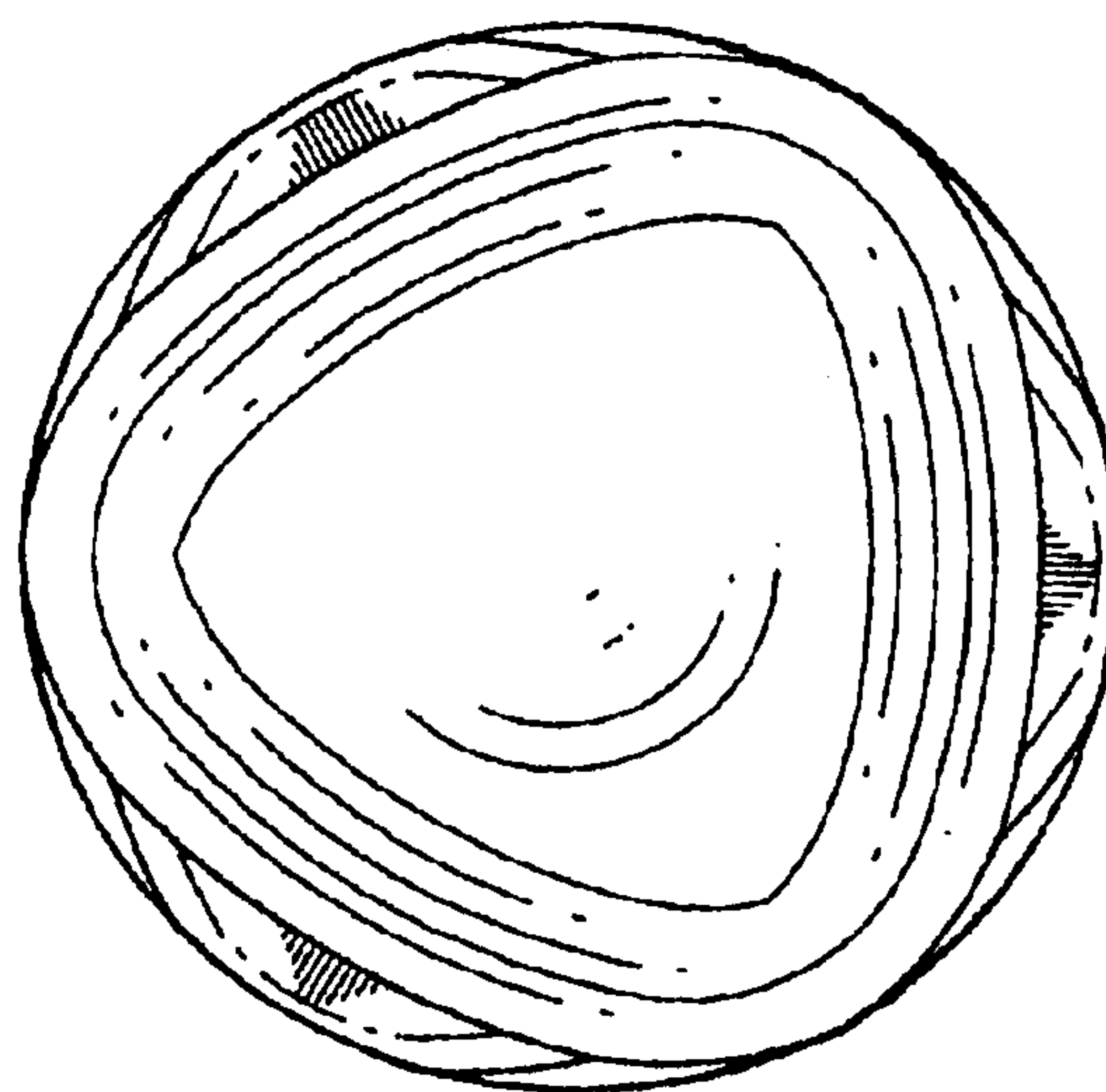


FIG. 7

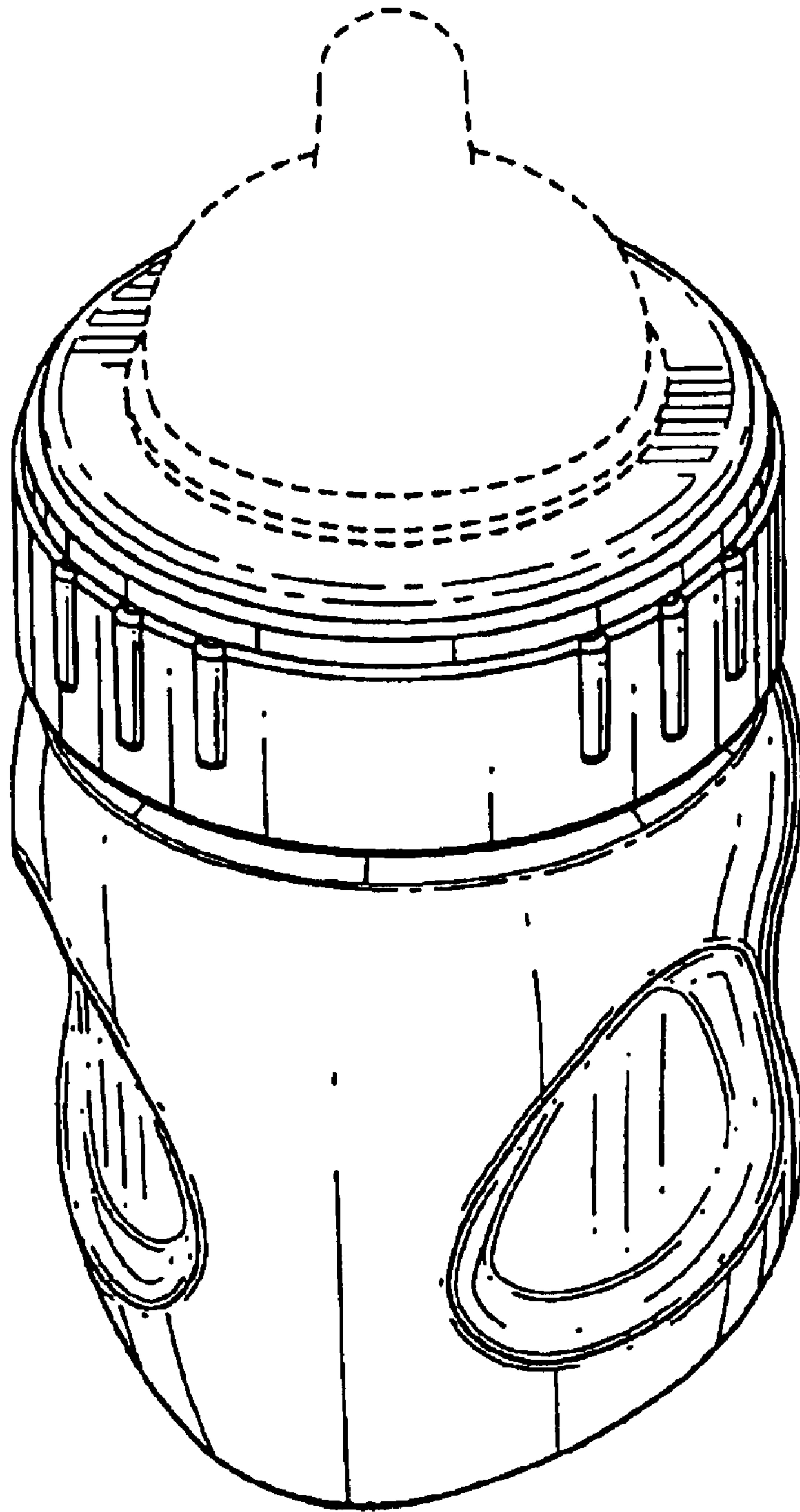


FIG. 8

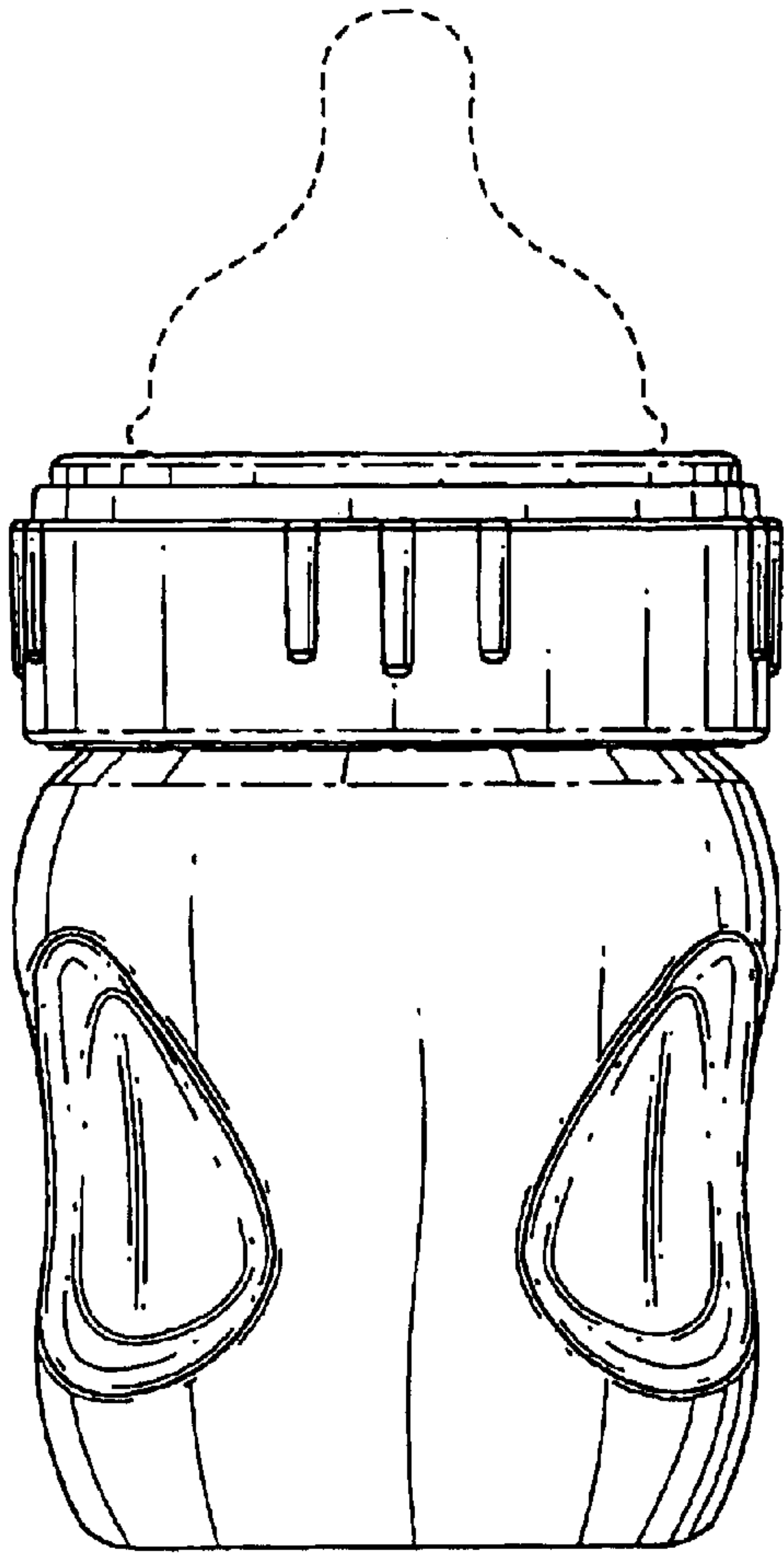


FIG. 9

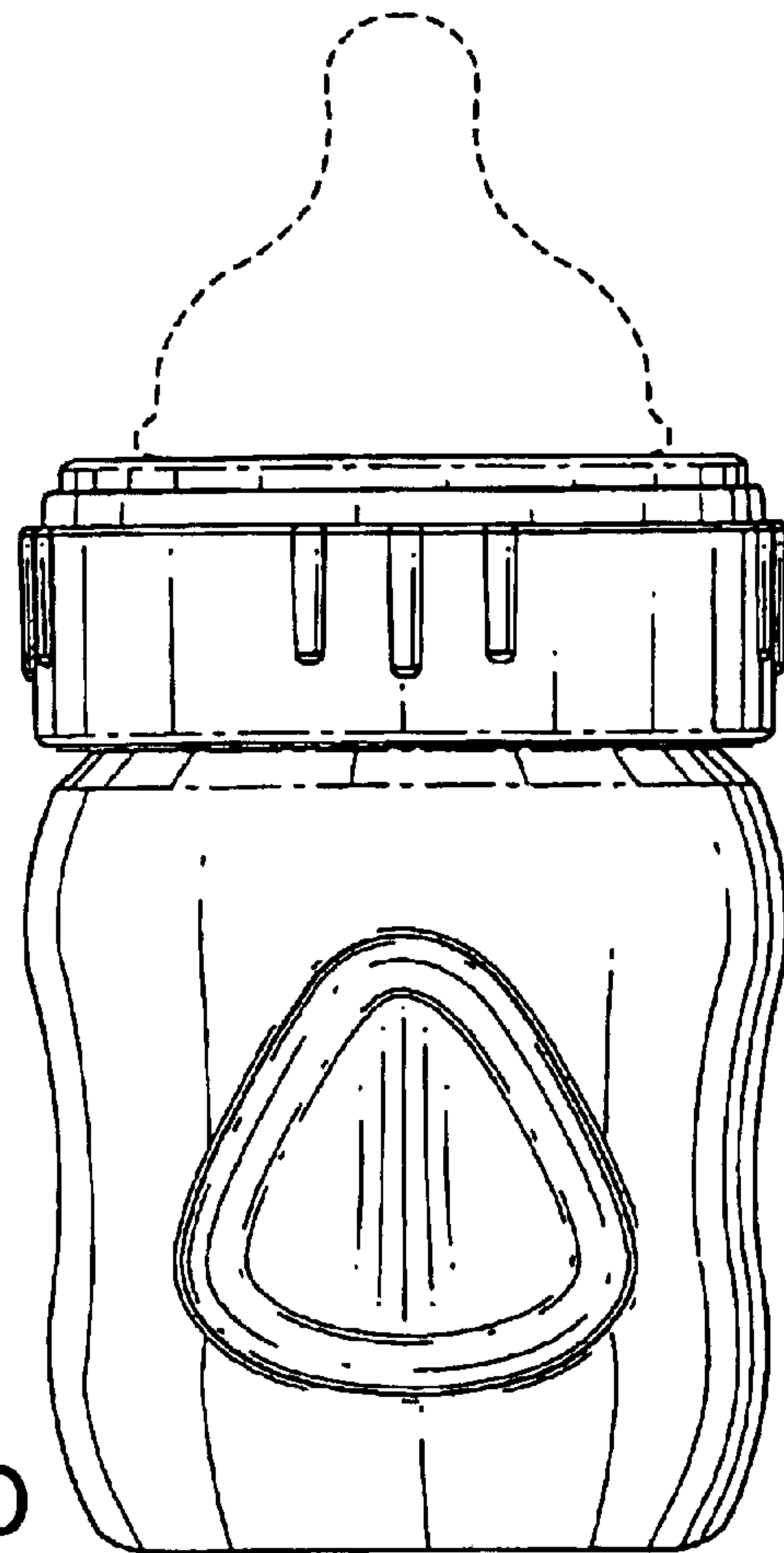


FIG. 10

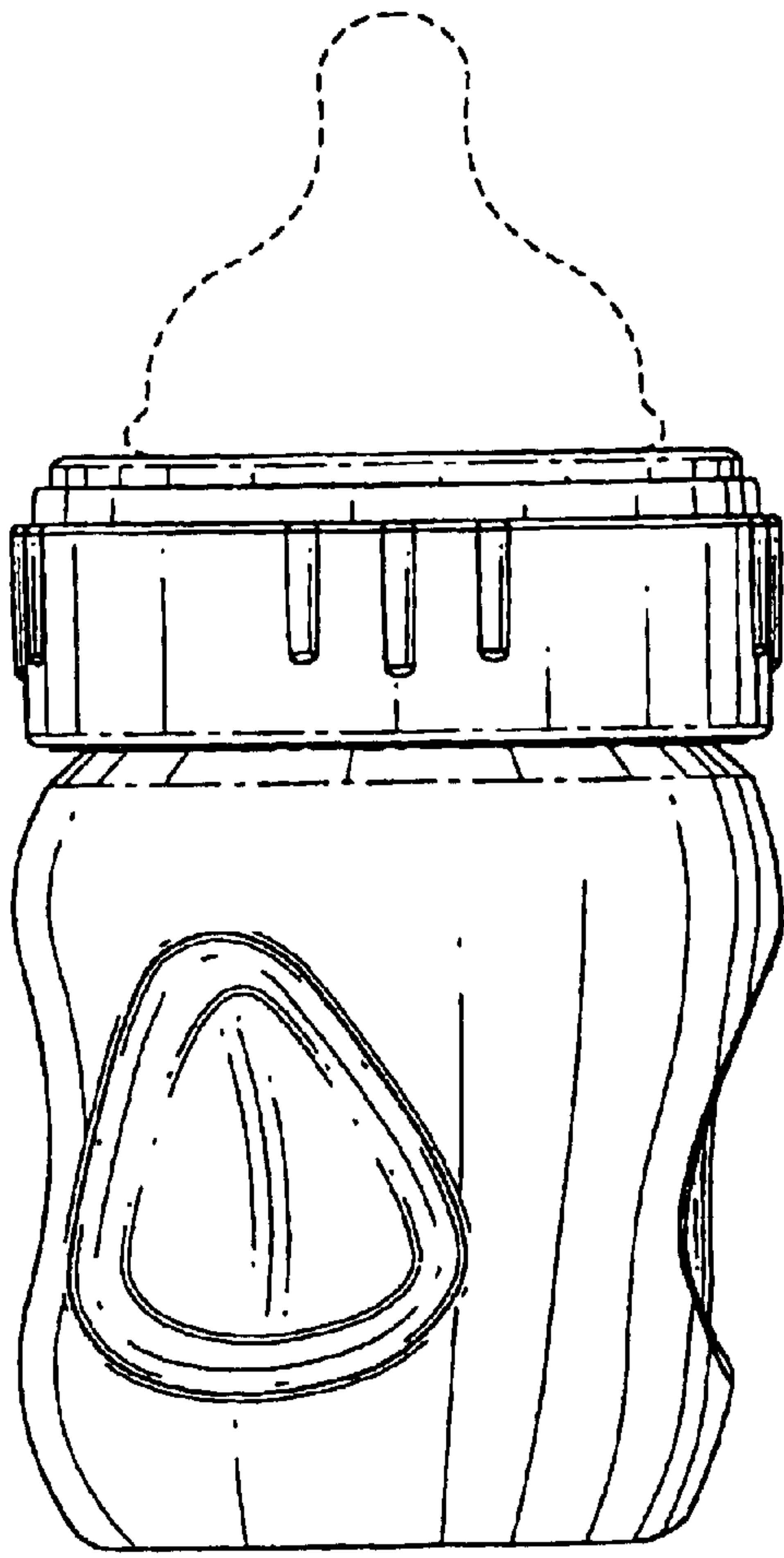


FIG. 11

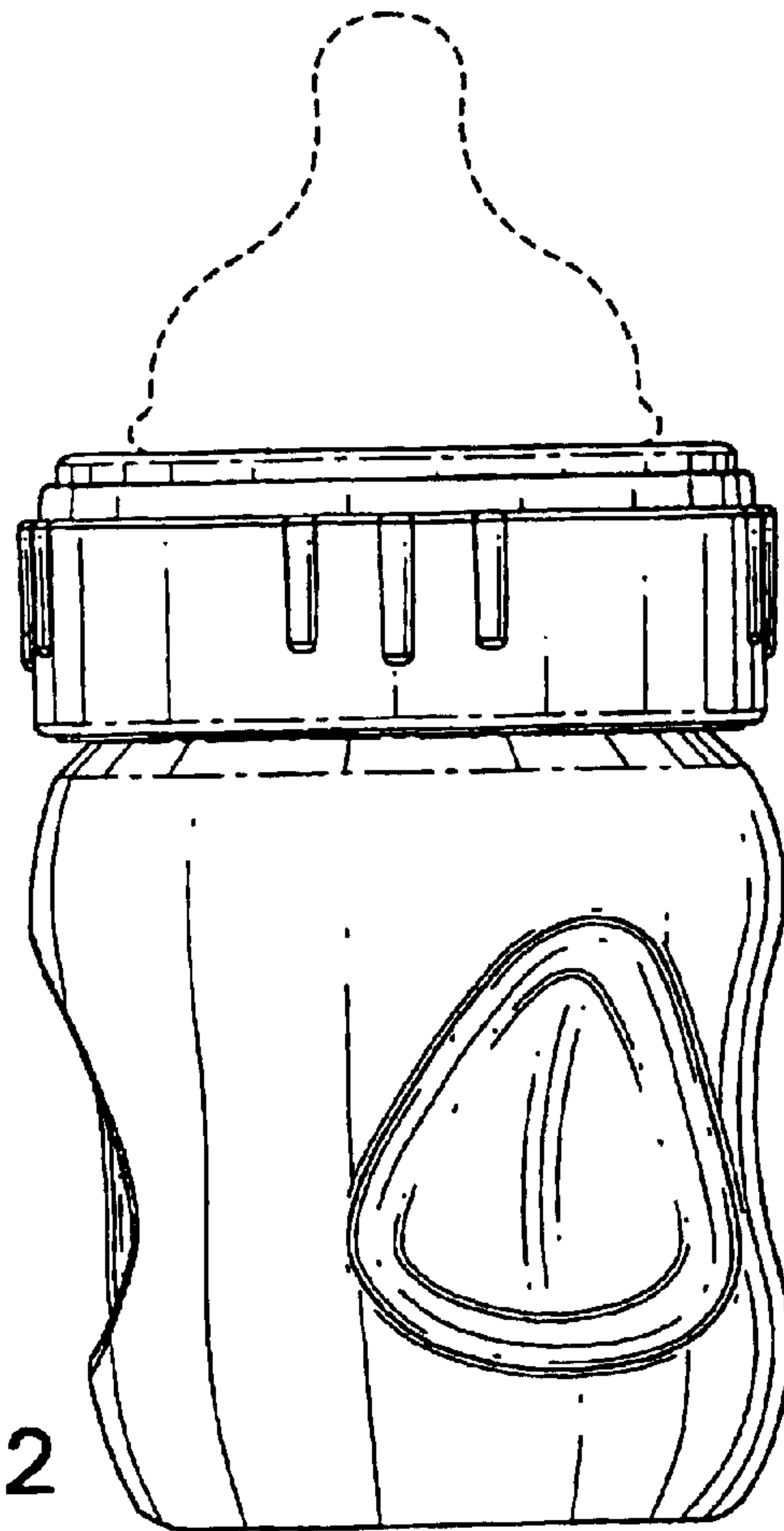


FIG. 12

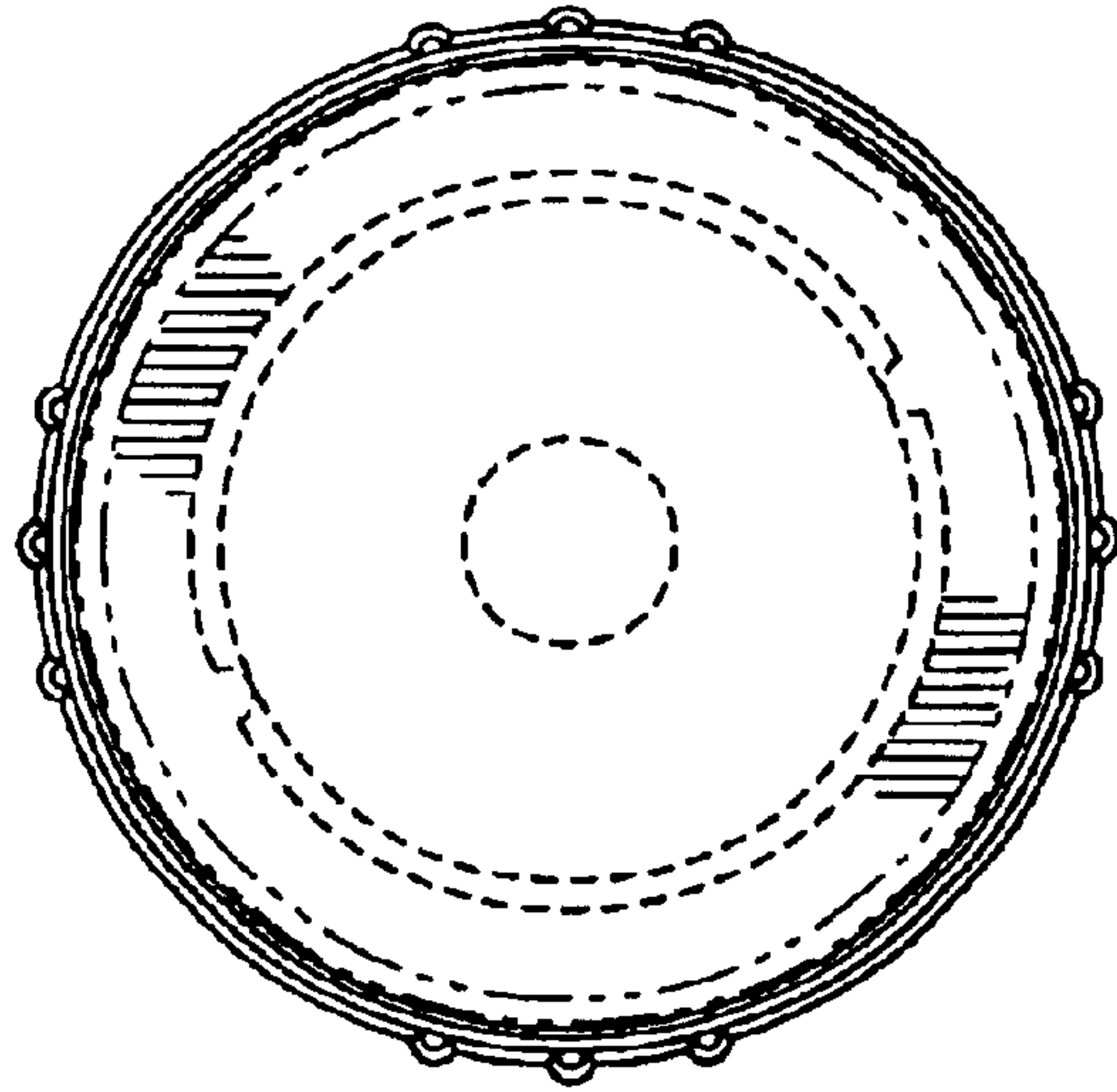


FIG. 13

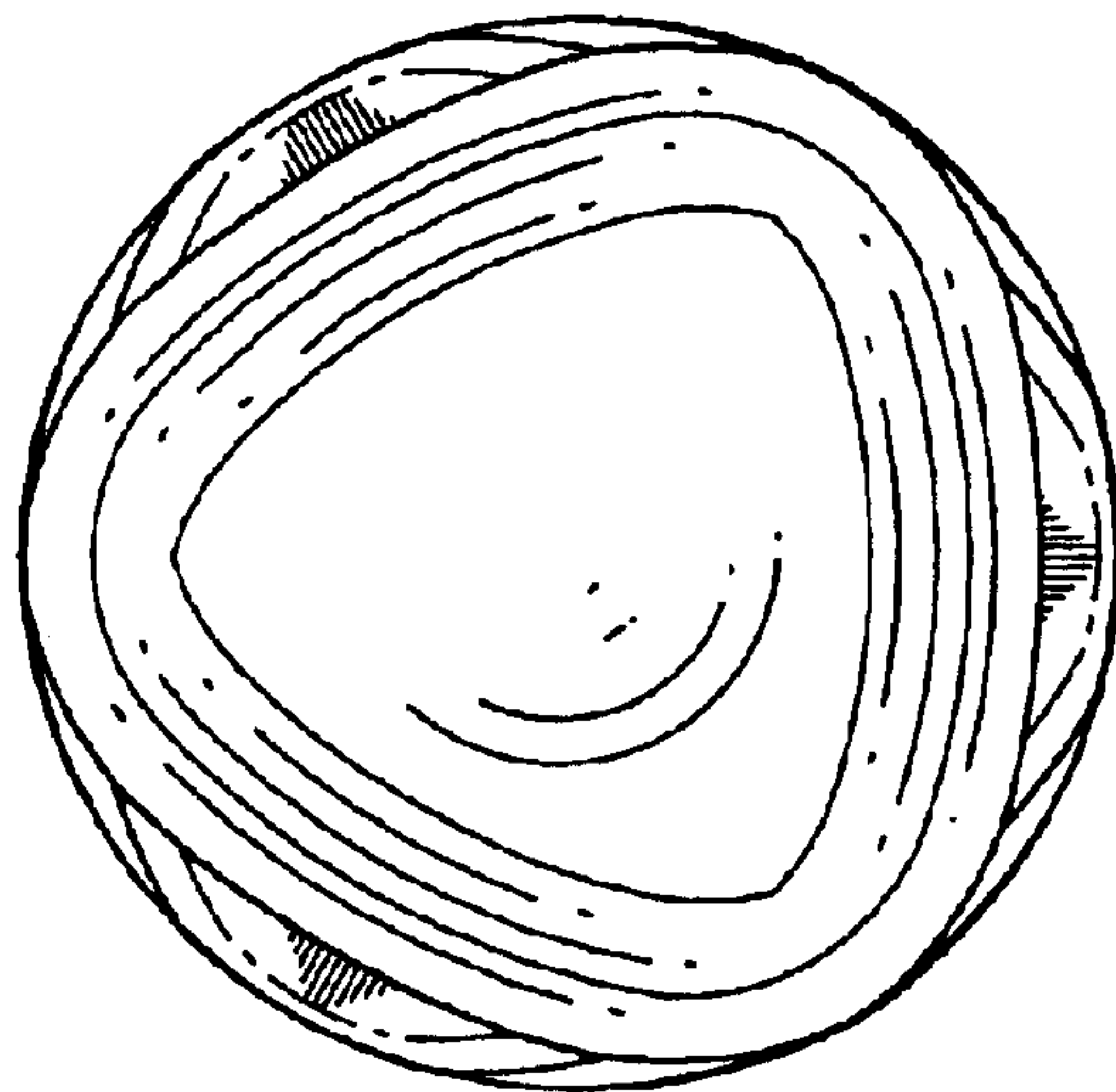


FIG. 14